

[54] **TIER SHEET FOR A DISPLAY MODULE**

[75] **Inventor: Gerald G. Day, Marietta, Ga.**

[73] **Assignee: The Coca-Cola Company, Atlanta, Ga.**

[\*\*] **Term: 14 Years**

[21] **Appl. No.: 859,877**

[22] **Filed: May 2, 1986**

[52] **U.S. Cl. .... D9/456**

[58] **Field of Search ..... D6/396, 397, 449, 475, D6/477, 479, 509; D9/345, 346, 424, 428, 429, 455, 456, 479; 211/49.1, 50, 13, 71, 74, 133, 126; 206/45.14, 45.19, 597, 391, 821, 595, 486, 203, 429, 427, 432, 509, 433, 503, 394, 504, 499, 509**

[56] **References Cited**

**U.S. PATENT DOCUMENTS**

D. 292,355	10/1987	Headon .....	D6/479
3,391,814	7/1968	Box .....	220/21
3,754,645	8/1973	Kilroy .....	206/65 B
3,917,066	11/1975	Cloyd .....	206/386
3,982,654	9/1976	Gottsegen .....	220/21
3,995,736	12/1976	Lawson et al. ....	206/386
4,037,722	7/1977	Bremer .....	206/523
4,162,738	7/1979	Wright .....	220/21

4,263,855	4/1981	Lawlor .....	108/53.3
4,344,530	8/1982	deLarosiere .....	206/203
4,516,677	5/1985	Rowland et al. ....	206/394
4,567,981	2/1986	Headon .....	206/45.19 X
4,667,823	5/1987	Wolfe et al. ....	206/503 X

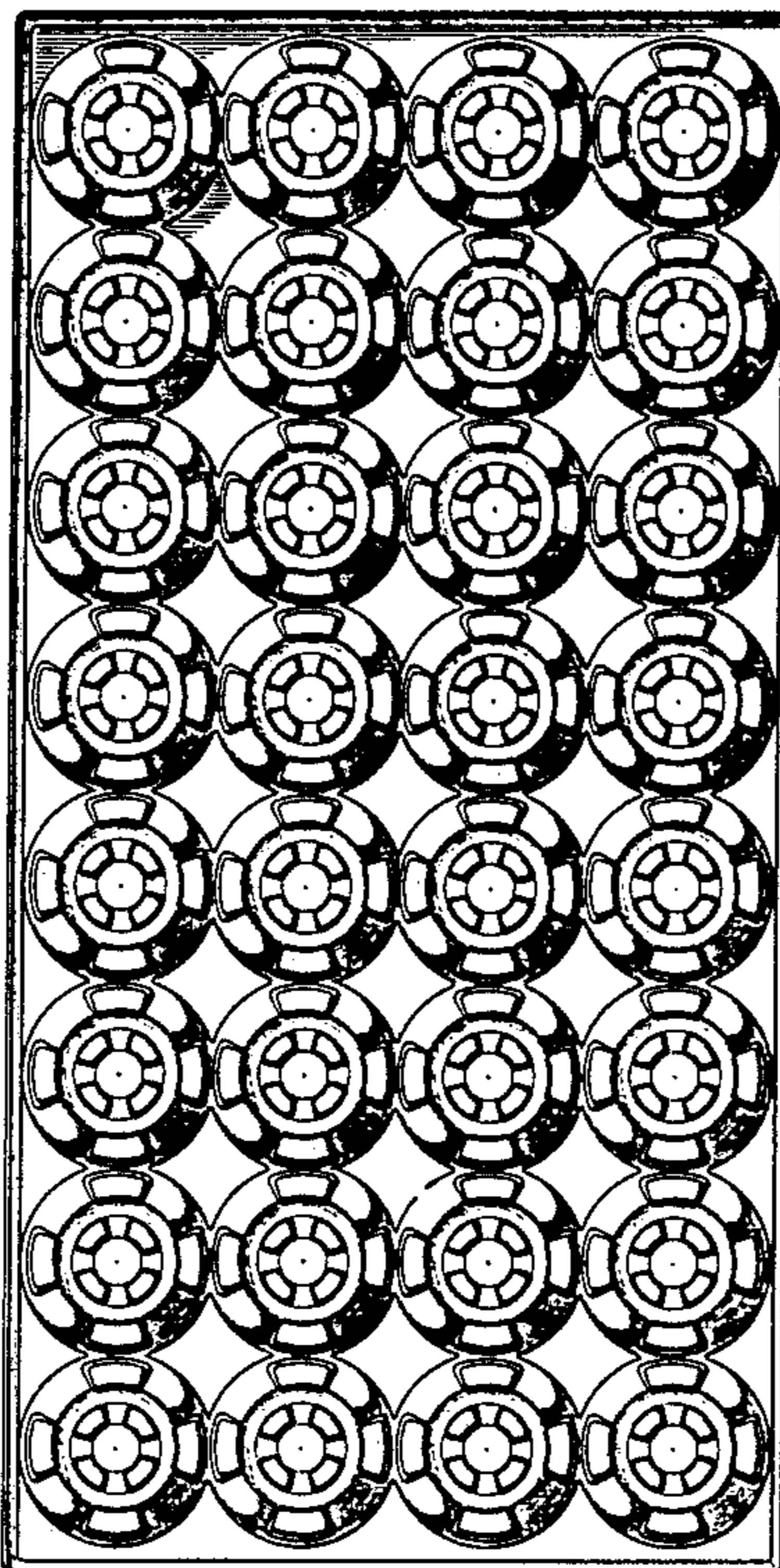
*Primary Examiner*—Carmen H. Vales-Lado  
*Attorney, Agent, or Firm*—Thomas R. Boston; W. Dexter Brooks

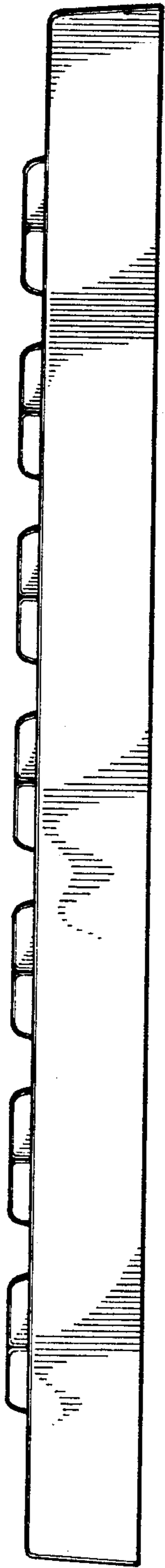
[57] **CLAIM**

The ornamental design for a tier sheet for a display module, as shown and described.

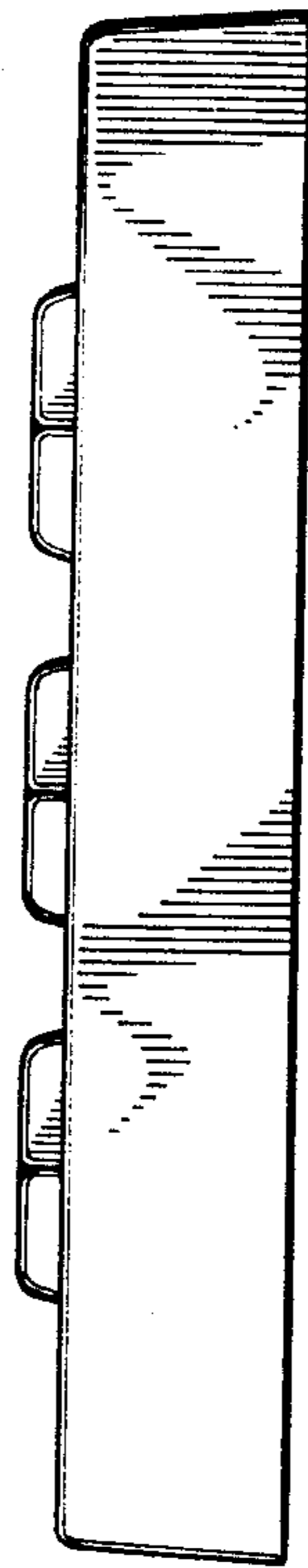
**DESCRIPTION**

FIG. 1 is a fragmentary bottom corner of a tier sheet for a display module showing my new design;  
FIG. 2 is a top plan view thereof;  
FIG. 3 is a bottom plan view thereof;  
FIG. 4 is a side elevational view, the opposite side being a mirror image thereof;  
FIG. 5 is an end elevational view the opposite side being a mirror image thereof.  
FIG. 6 is a sectional view taken along line 6—6 in FIG. 2;  
FIG. 7 is a sectional view taken along line 7—7 in FIG. 2; and  
FIG. 8 is a sectional view taken along line 8—8 in FIG. 2.

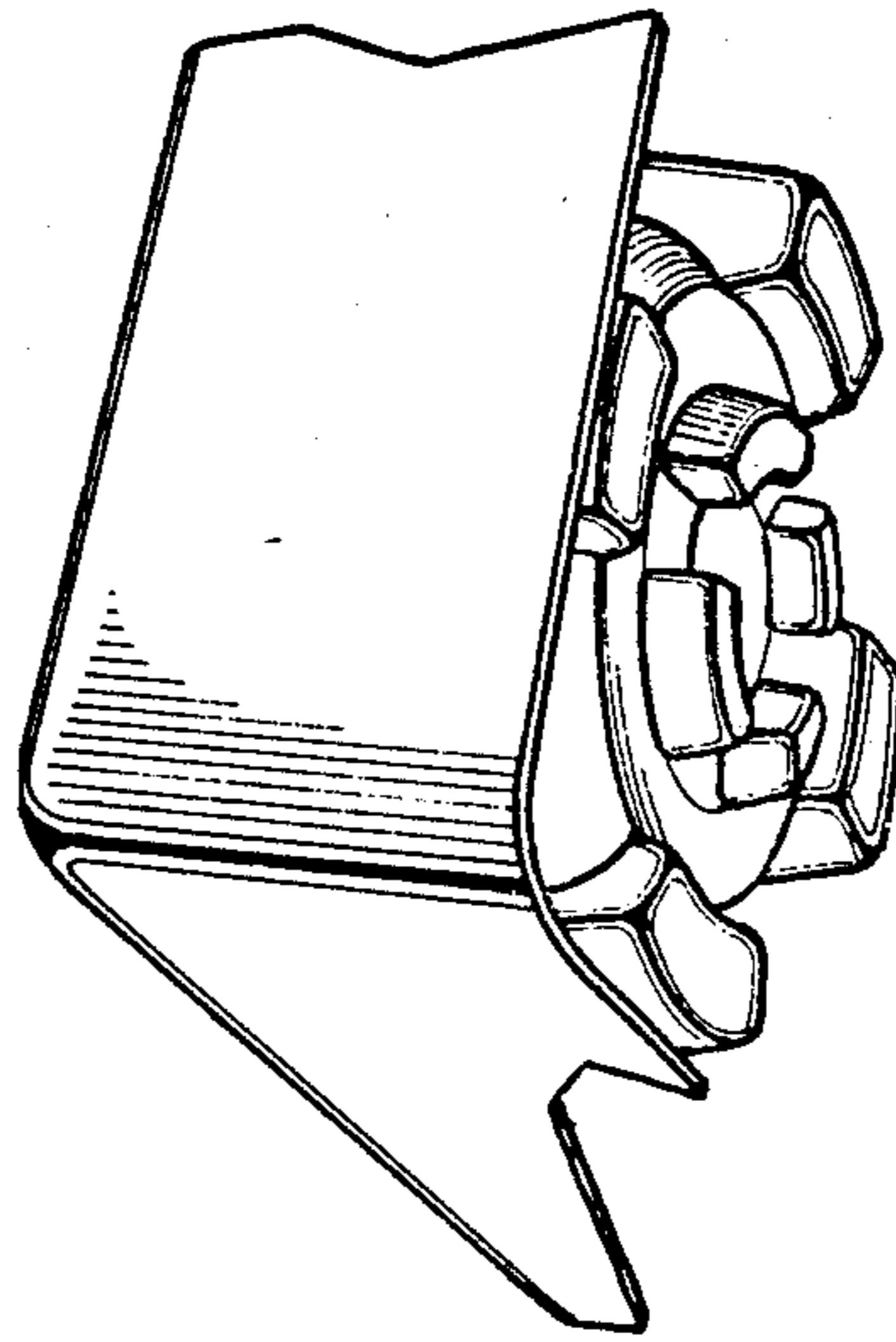




**FIG 4**

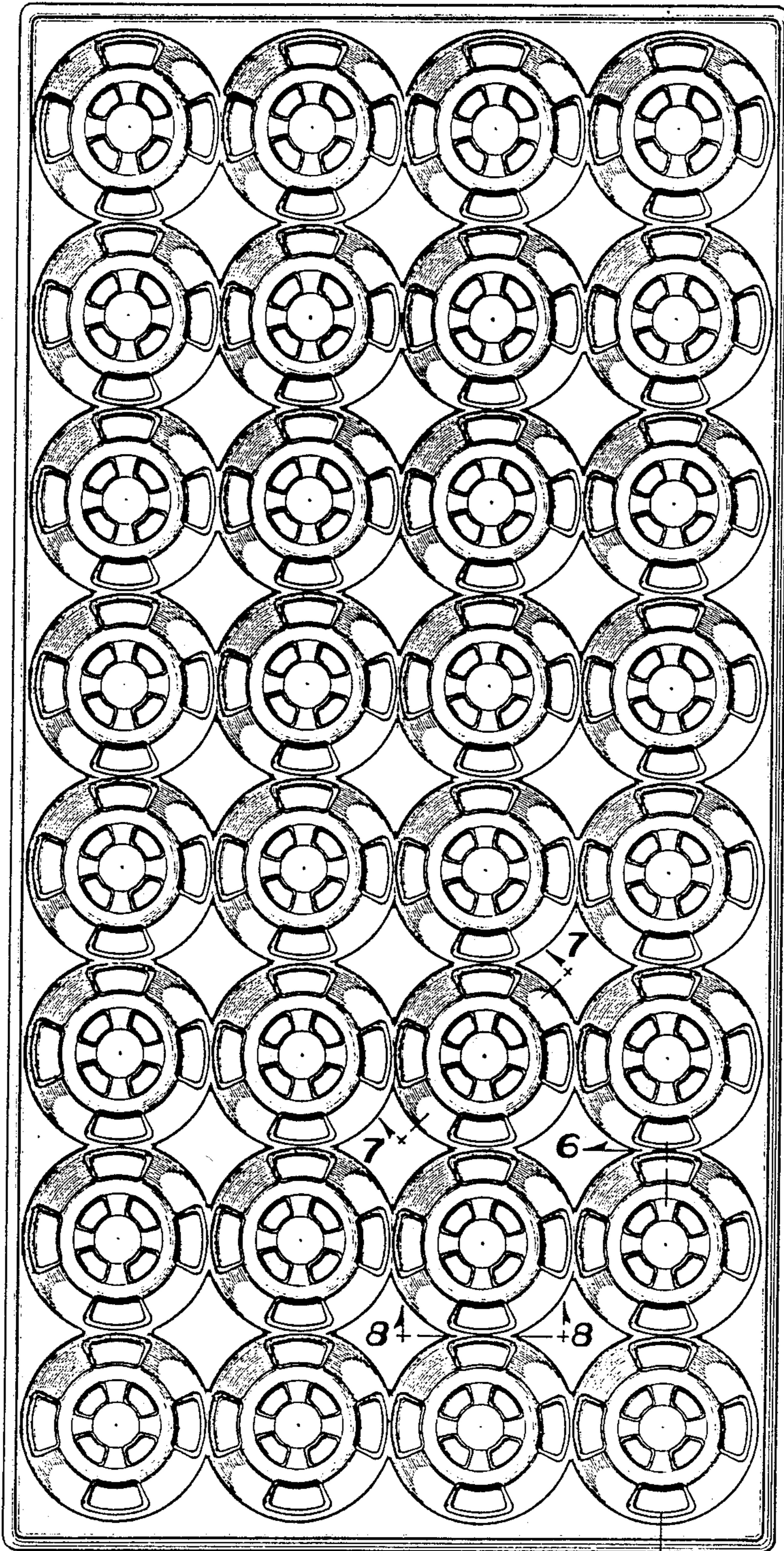


**FIG 5**



**FIG A**

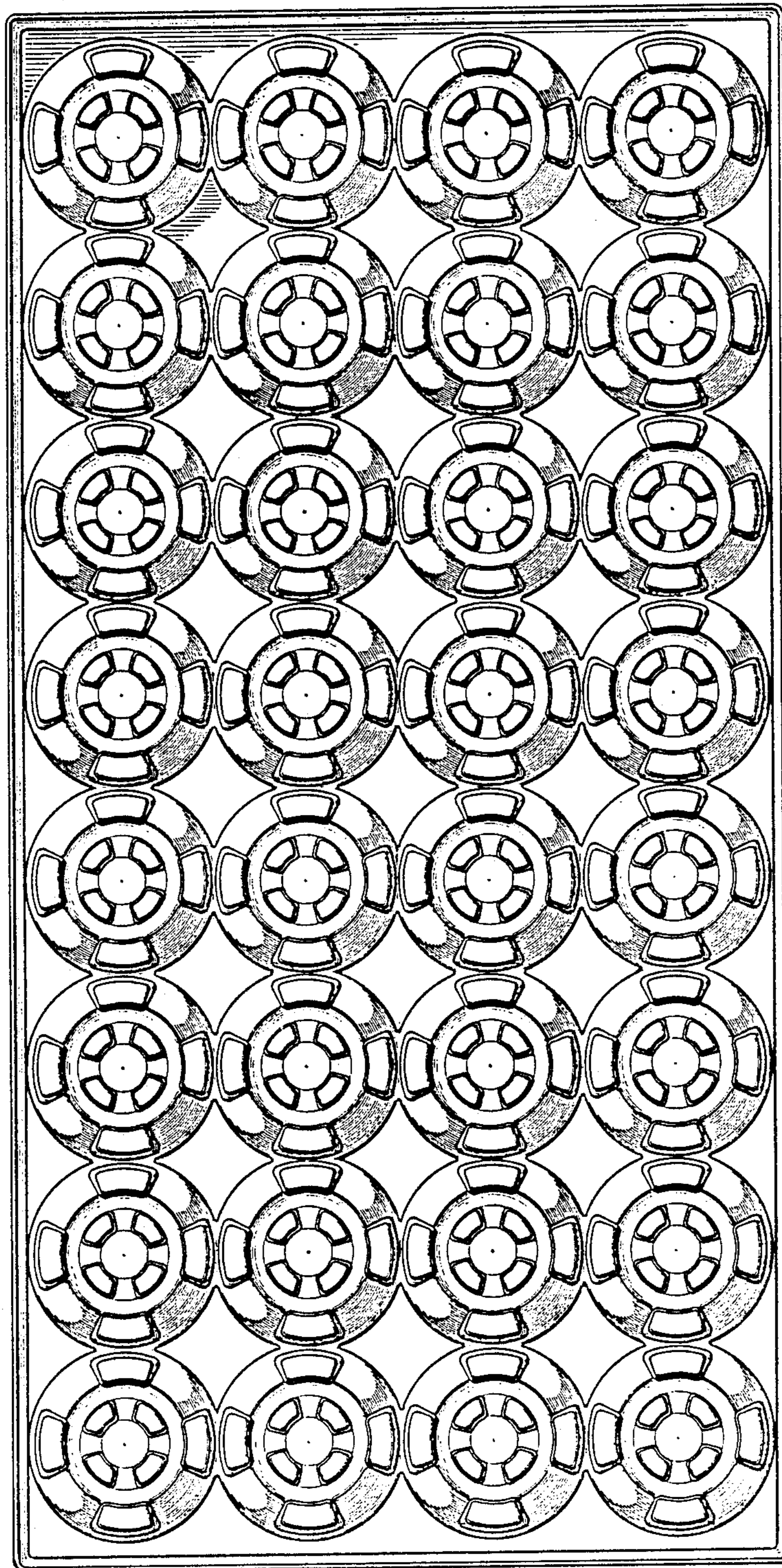




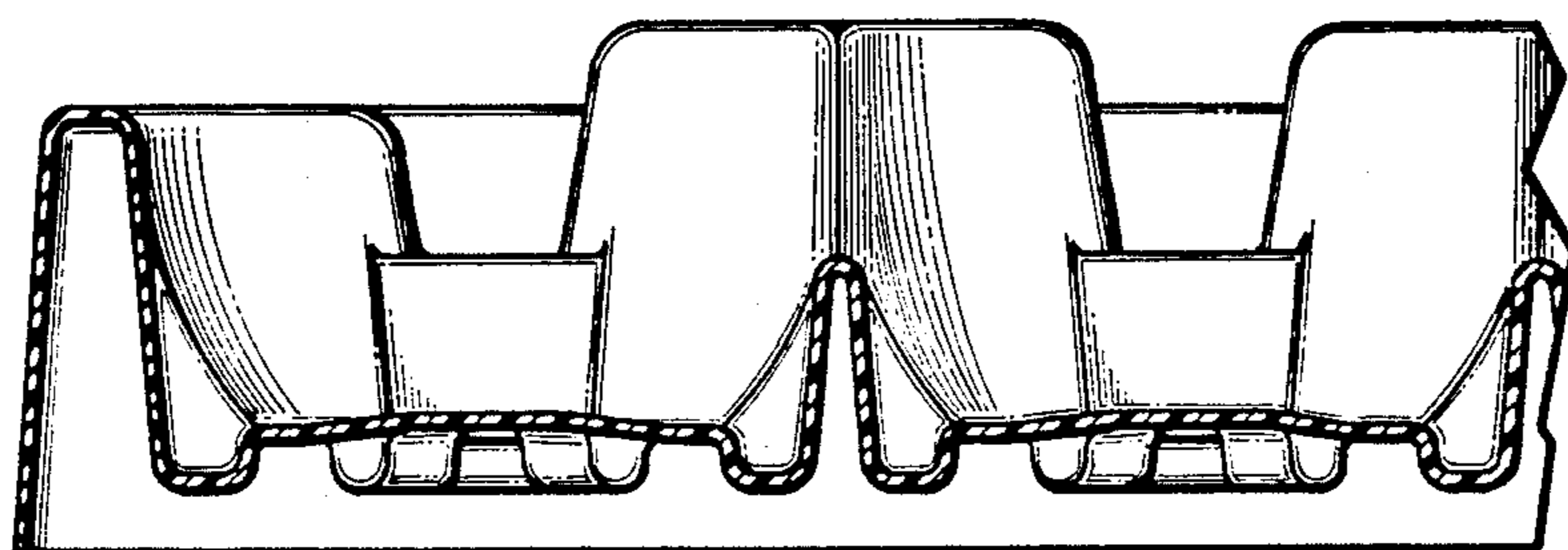
**FIG 2**

6

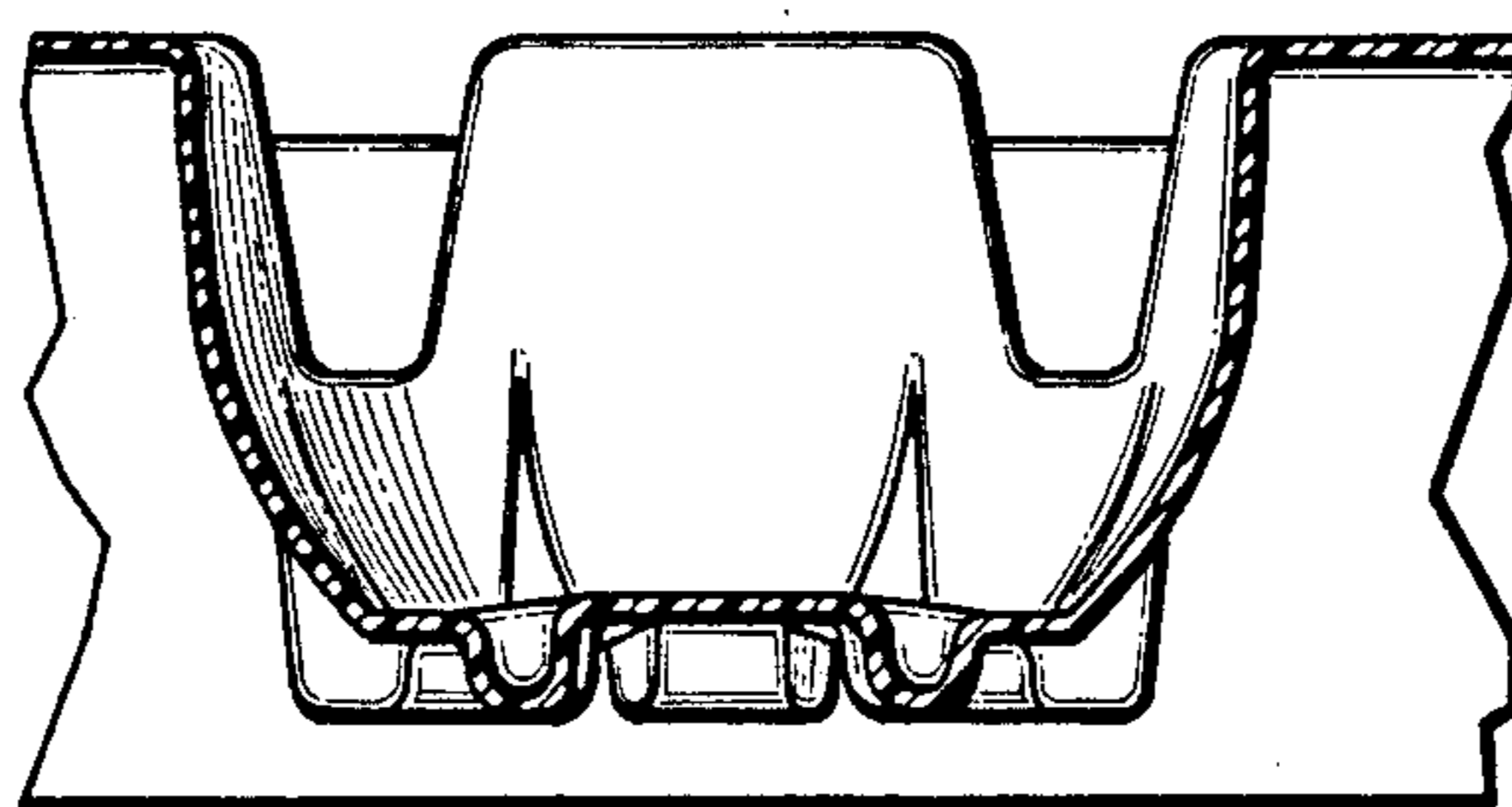




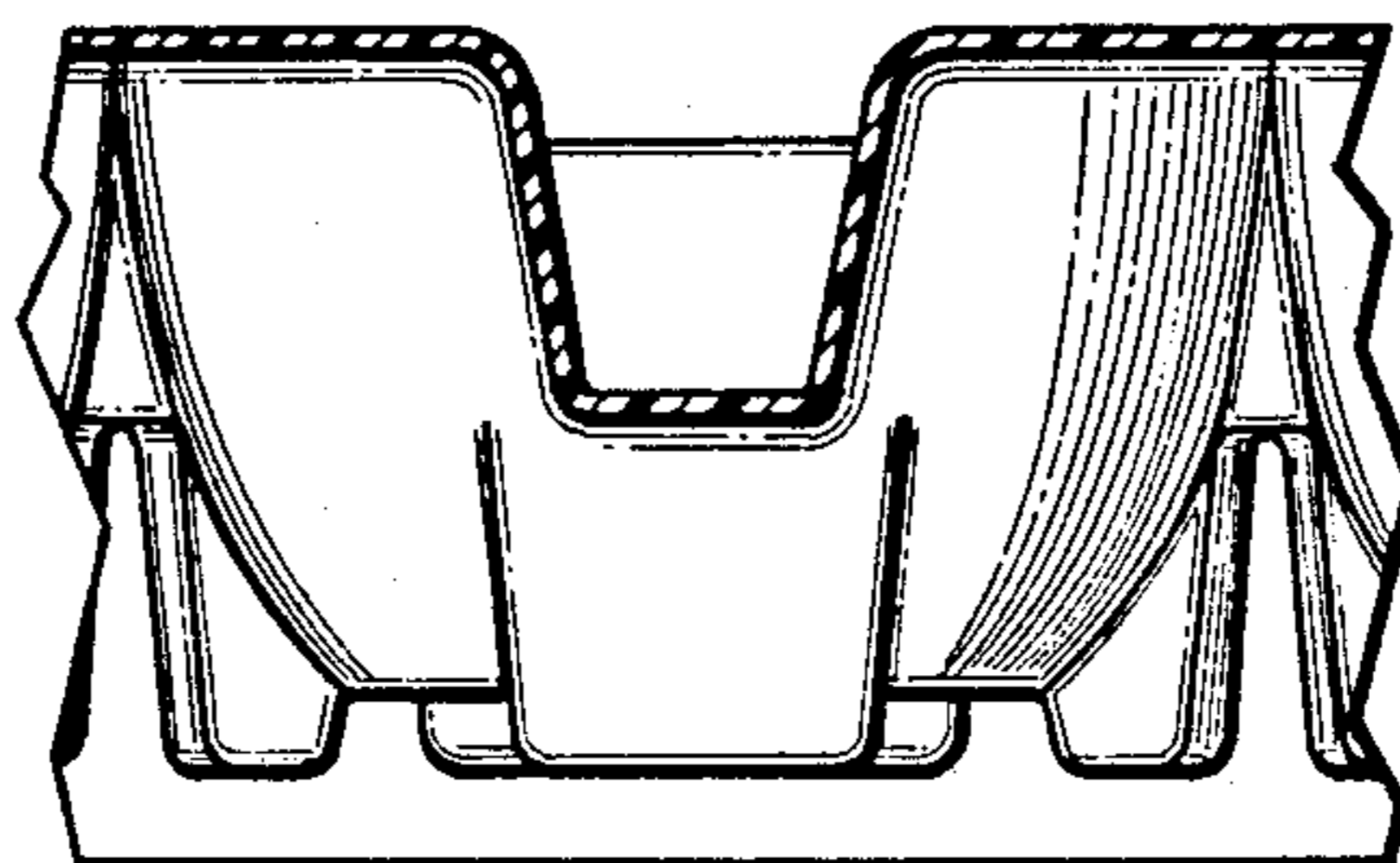
**FIG 3**



**FIG 6**



**FIG 7**



**FIG 8**