

[54] DISPOSABLE NOZZLE FOR CARTRIDGE DISCHARGING ADHESIVE

4,382,530 5/1983 Calisto 222/567
4,613,078 9/1986 Marshall 239/583
4,619,613 10/1986 Dragan 433/90

[76] Inventors: Marvin Berg, 1785 Lois Dr., New Brighton, Minn. 55112; Bruce Gracheck, 5734 Ridge Creek Rd., Shoreview, Minn. 55126

[**] Term: 14 Years

[21] Appl. No.: 87,626

[22] Filed: Aug. 20, 1987

[52] U.S. Cl. D9/447

[58] Field of Search D9/447, 338, 373, 375, D9/435, 442, 440, 449, 436; 222/478, 207, 531, 537, 548, 551, 568, 480, 528, 534, 565, 478, 567, 566

[56] References Cited

U.S. PATENT DOCUMENTS

D. 242,902	1/1977	Hackmyer	D9/436
D. 266,149	9/1982	Charlton et al.	D9/436
D. 266,537	10/1982	Kahn	D9/436
2,953,285	9/1960	McKelvey	222/567
3,040,935	6/1962	Lopata	222/185
3,157,312	11/1964	Kitterman	222/1
3,439,839	4/1969	Schumann et al.	222/95
3,756,516	9/1973	Trnka	239/539
4,253,685	3/1981	Camp	285/41
4,273,144	6/1981	Morganroth	132/88.7

OTHER PUBLICATIONS

A page of a catalog distributed by Crain Cutter Co., Inc., during the year 1984, depicting Cove Nozzles.

Primary Examiner—Louis S. Zarfes
Assistant Examiner—R. T. Seifert
Attorney, Agent, or Firm—Jack M. Wiseman

[57] CLAIM

The ornamental design for a disposable nozzle for cartridge discharging adhesive, as shown.

DESCRIPTION

FIG. 1 is a top, right perspective view of a disposable nozzle for cartridge discharging adhesive showing my new design;
FIG. 2 is a bottom, right perspective view;
FIG. 3 is a top plan view;
FIG. 4 is a bottom plan view;
FIG. 5 is a left side elevational view;
FIG. 6 is a right side elevational view;
FIG. 7 is a front elevational view;
FIG. 8 is a rear elevational view;
FIG. 9 is a cross-sectional view taken along the line 9—9 of FIG. 3; and
FIG. 10 is a cross-sectional view taken along the line 10—10 of FIG. 5.

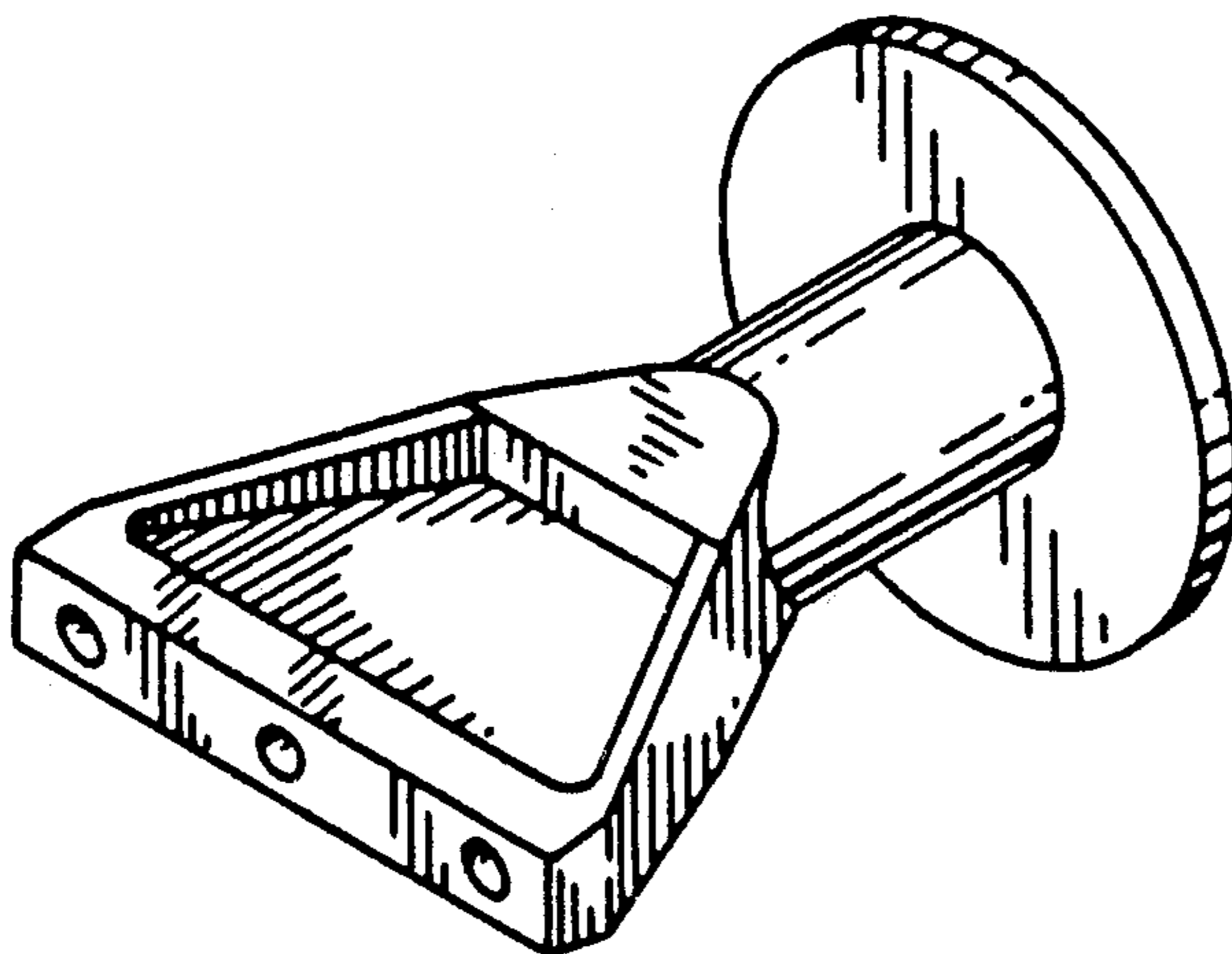


FIG-1

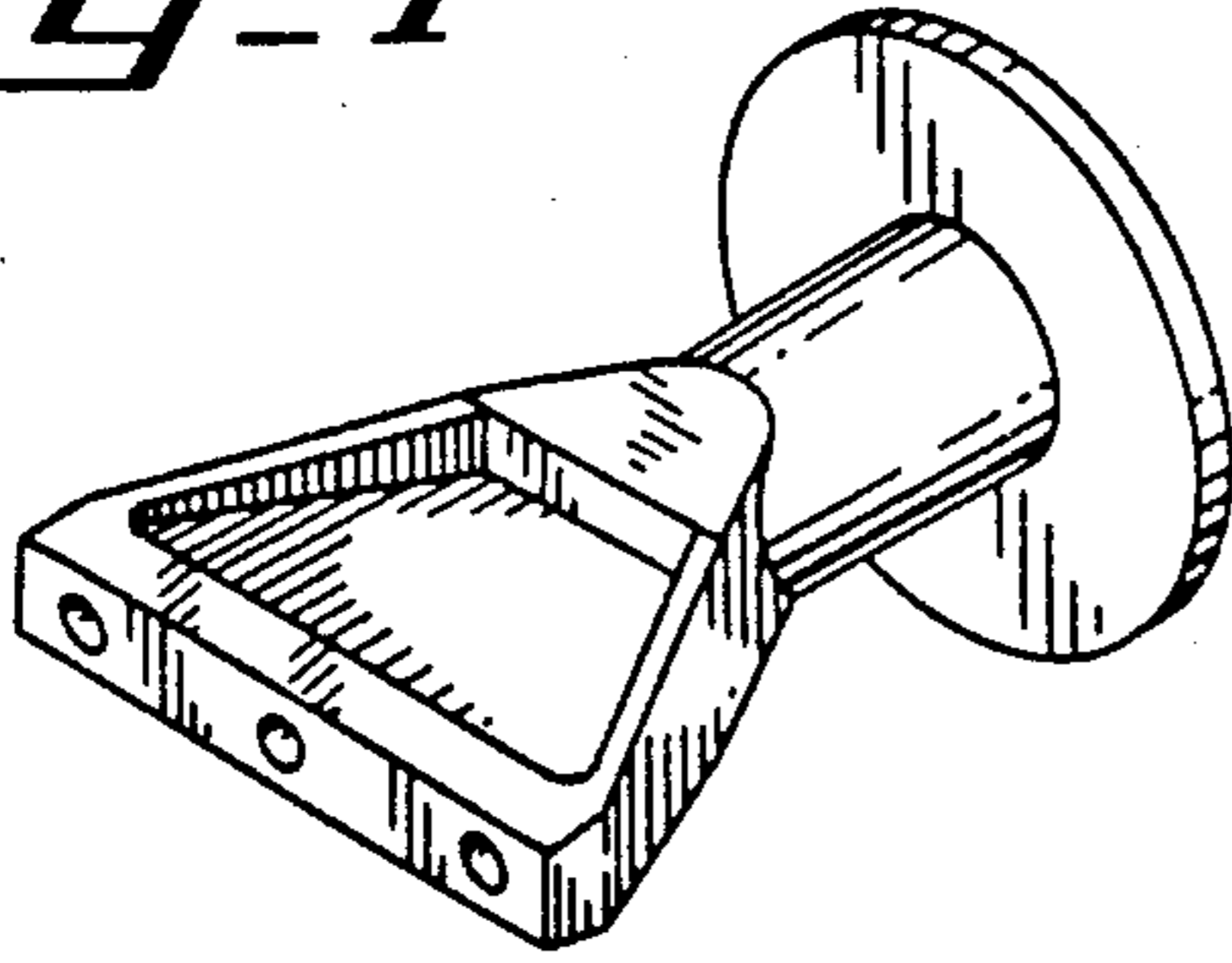


FIG-2

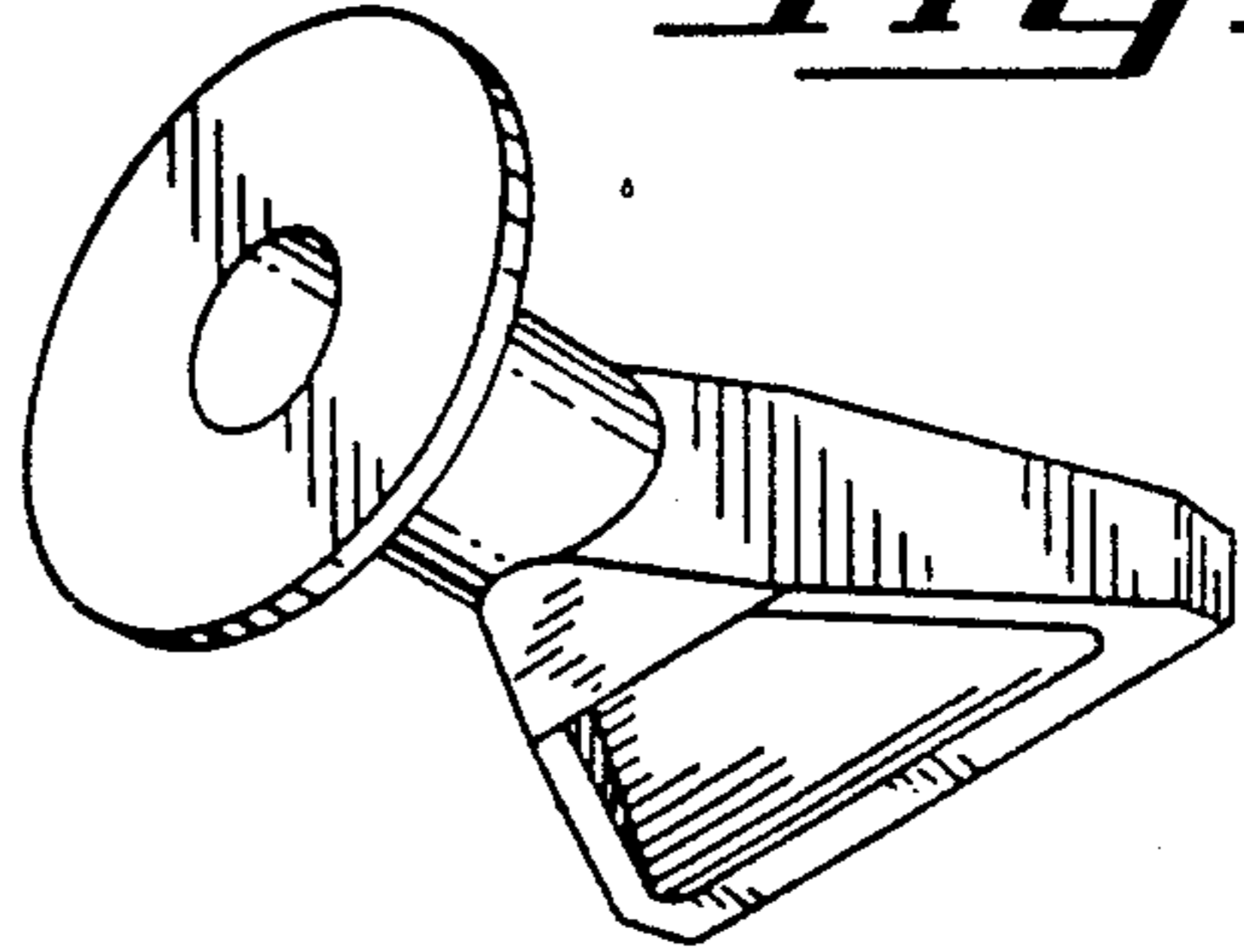


FIG-3

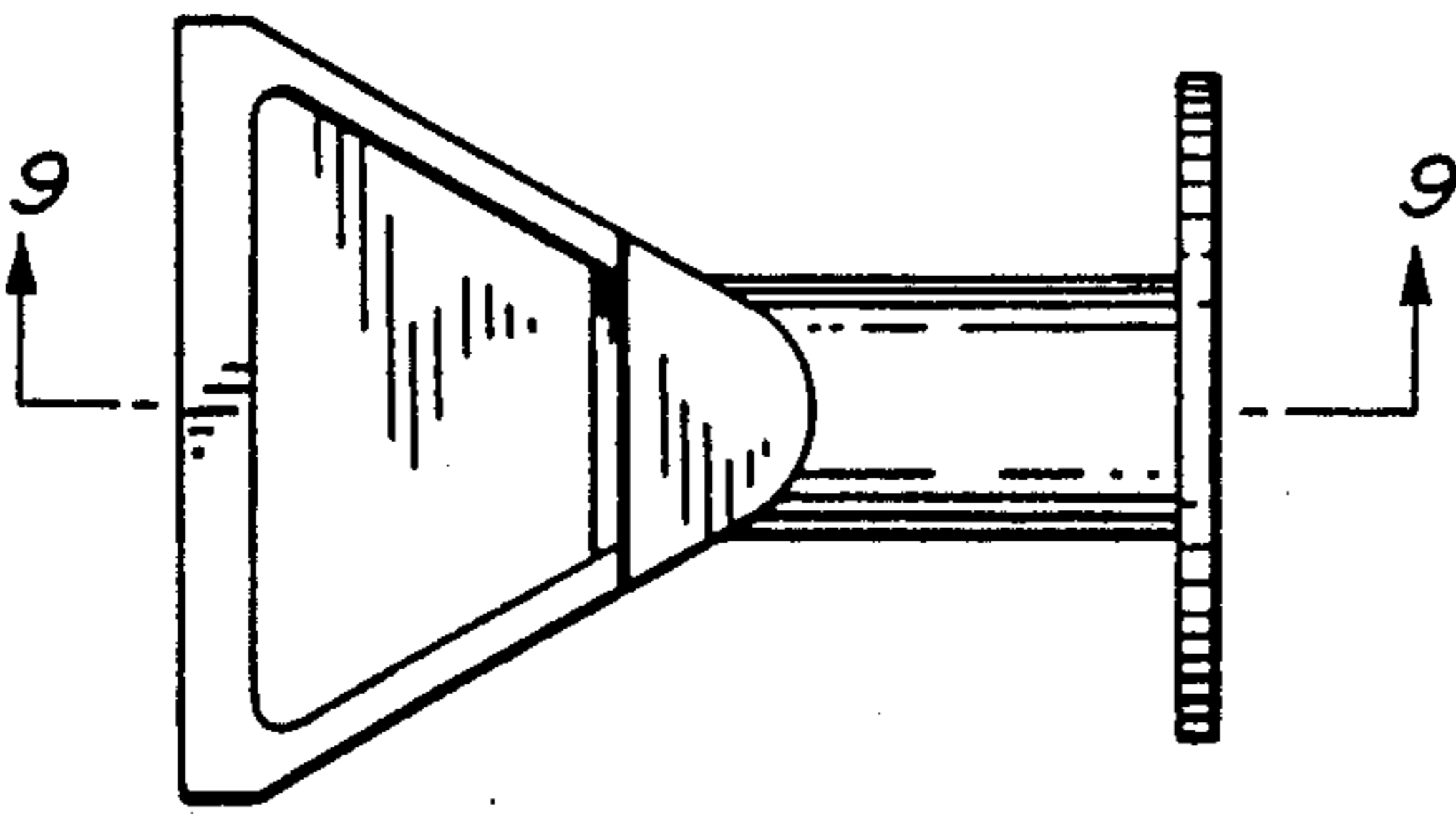


FIG-4

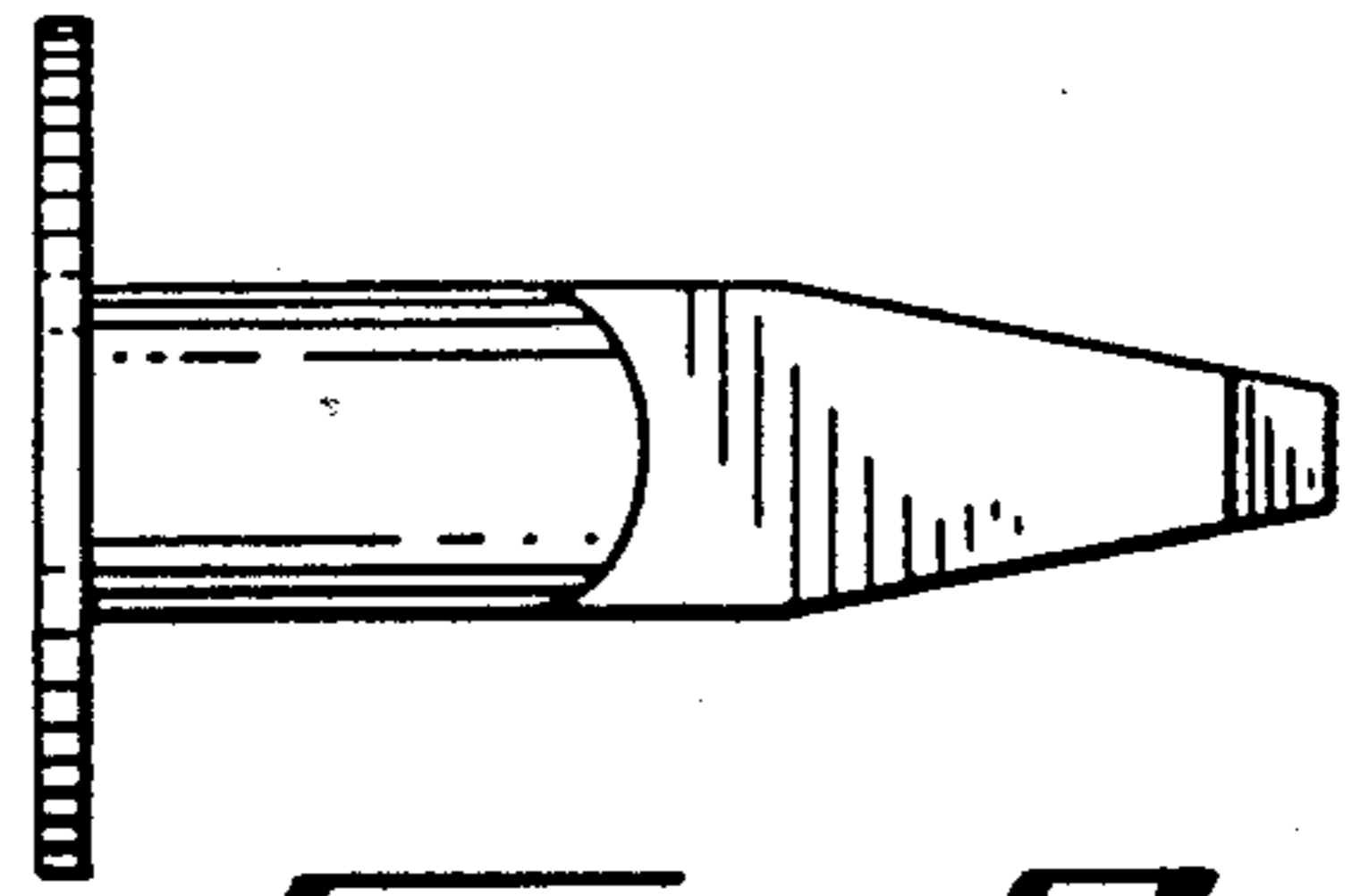
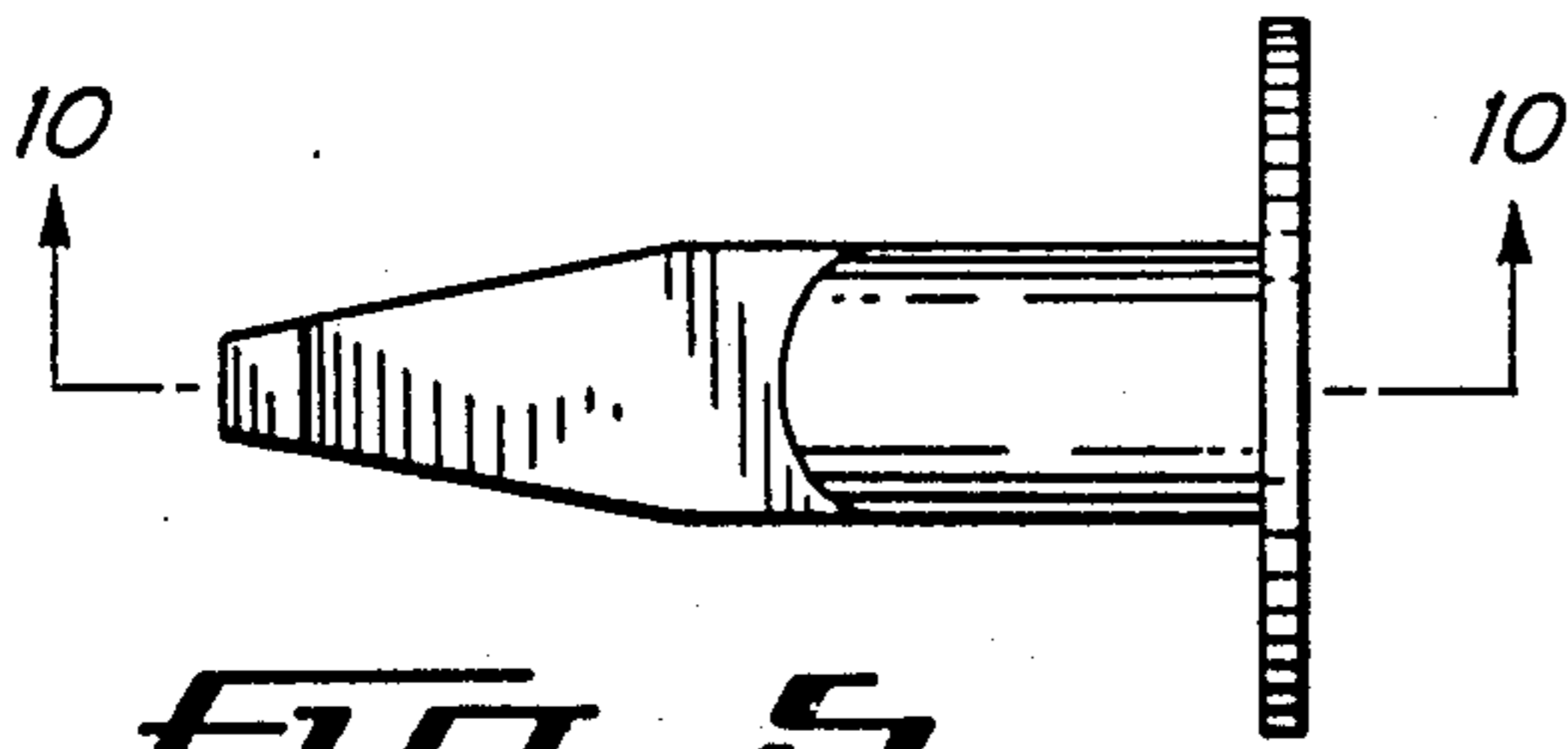
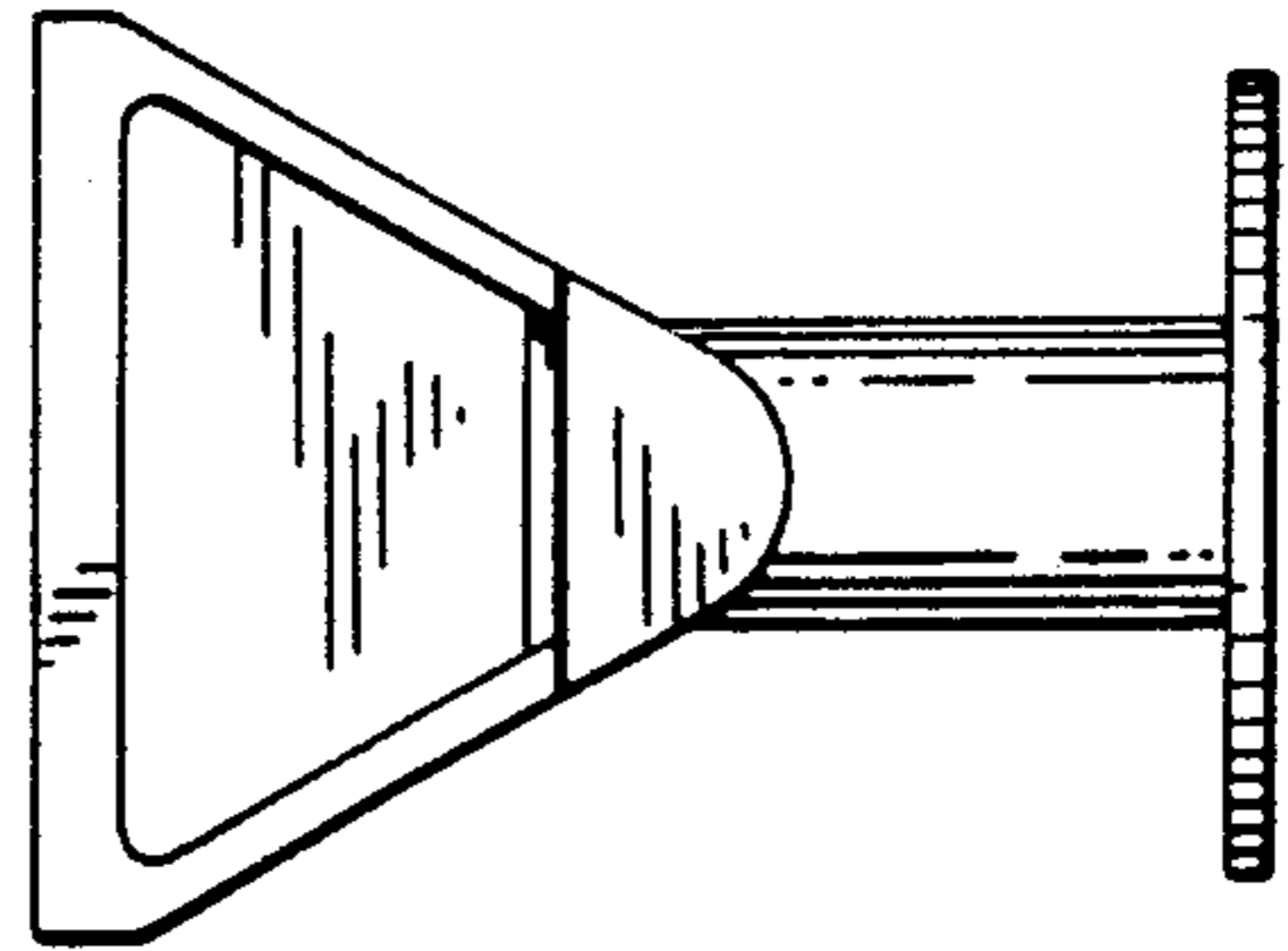


FIG-5

FIG-6

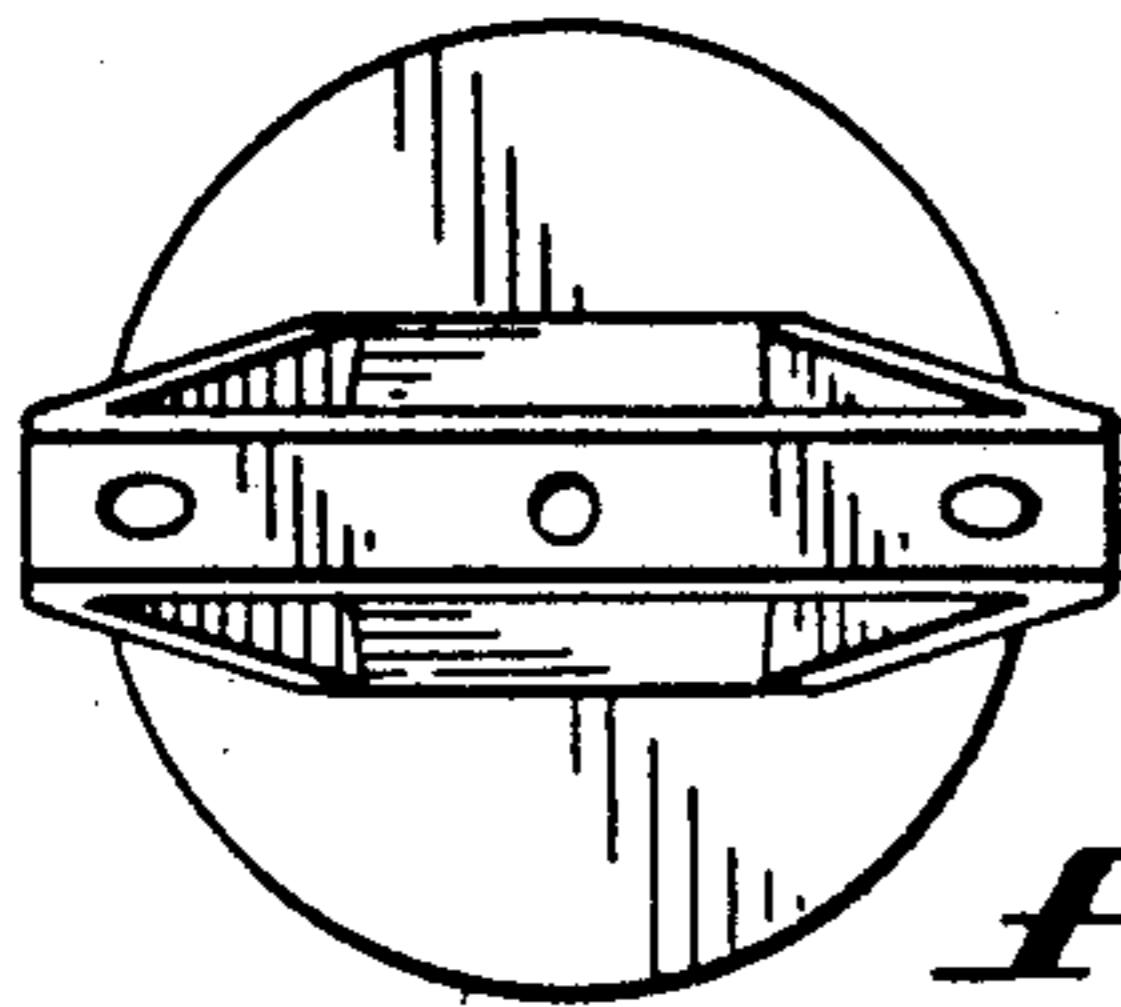


FIG-7

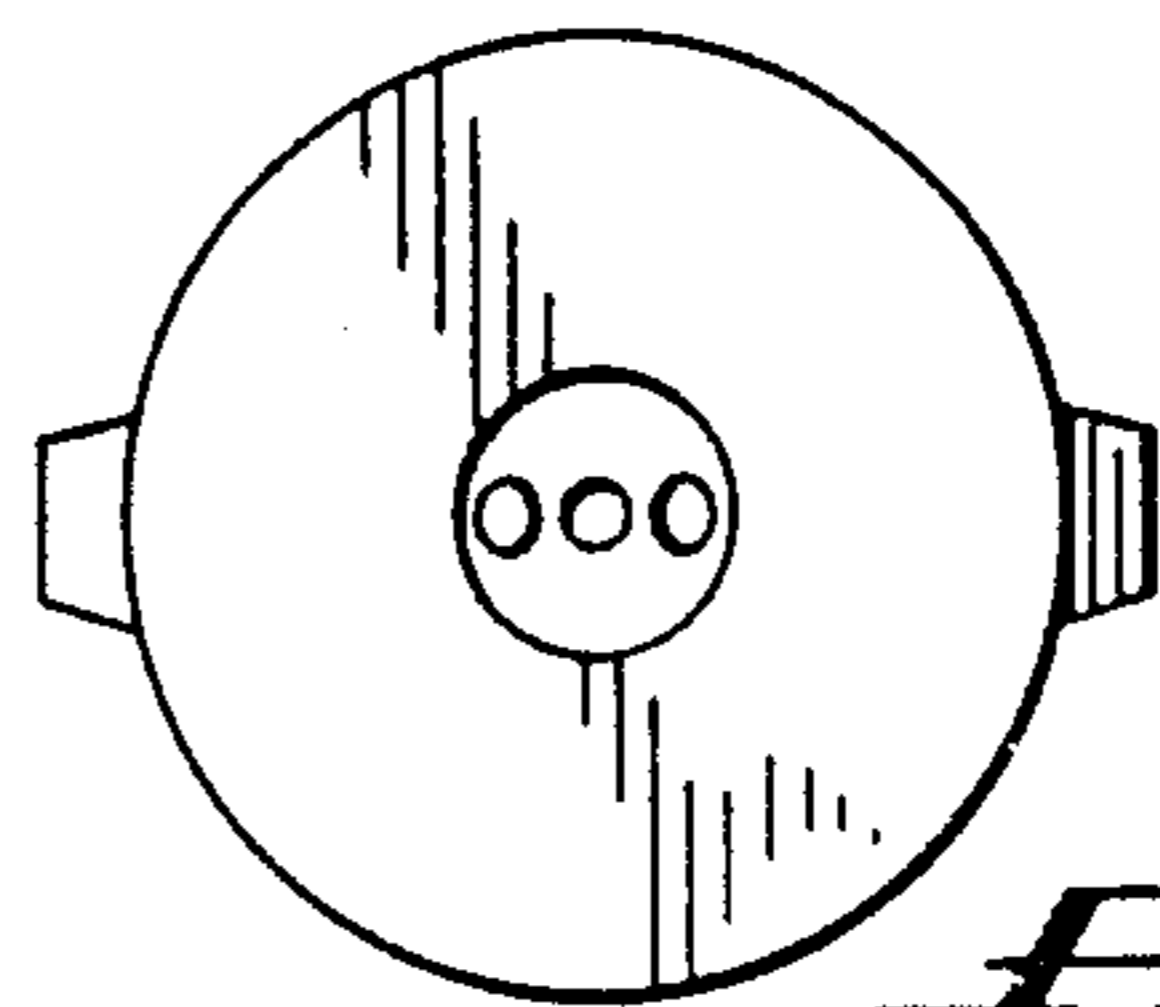


FIG-8

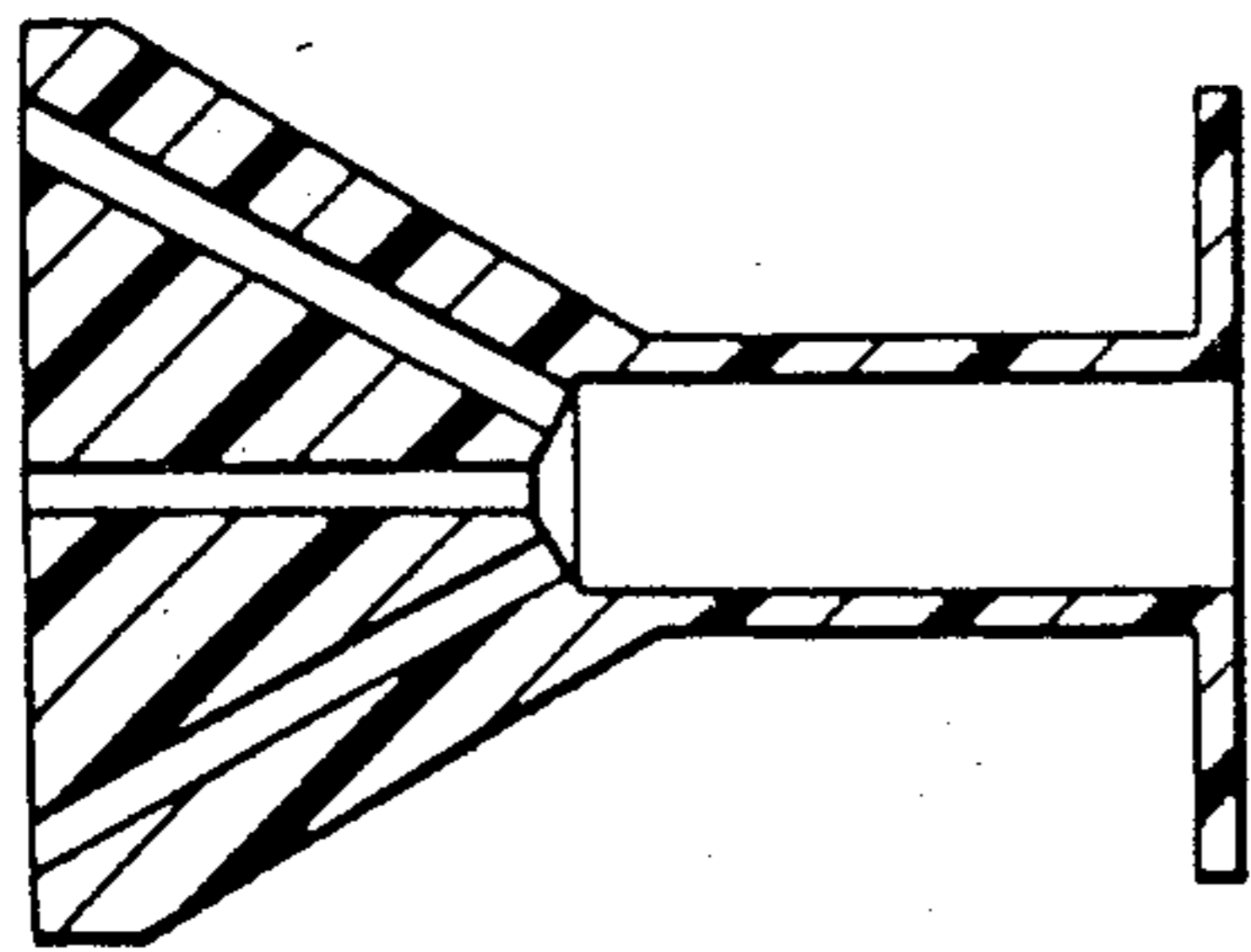


FIG-9

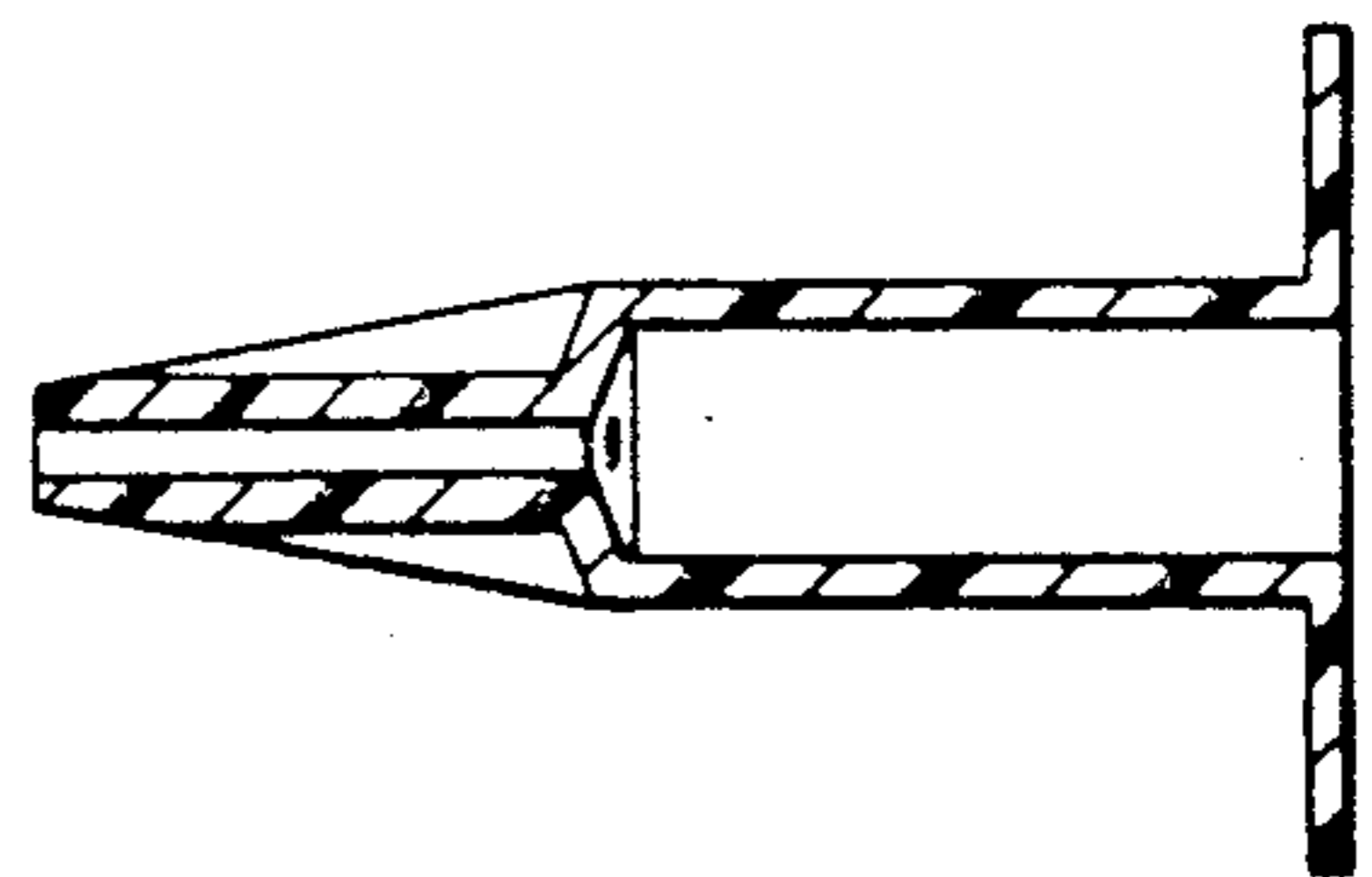


FIG-10

**UNITED STATES PATENT AND TRADEMARK OFFICE
CERTIFICATE OF CORRECTION**

PATENT NO. : Des. 305,736
DATED : January 30, 1990
INVENTOR(S) : Marvin Berg, et al

It is certified that error appears in the above-identified patent and that said Letters Patent is hereby corrected as shown below:

On the title page, Item [76] Inventors:

Marvin Berg, 1785 Lois Dr., New
Brighton, Minn. 55112; Bruce
Grachek, 5734 Ridge Creek Rd.,
Shoreview, Minn. 55126

**Signed and Sealed this
First Day of January, 1991**

Attest:

Attesting Officer

HARRY F. MANBECK, JR.

Commissioner of Patents and Trademarks