

[54] **KNOB**

[76] **Inventor:** Kai K. Yung, Block A-3m, Hong Kong Industrial Centre, 11th Floor, 489-491 Castle Peak Road, Kowloon, Hong Kong

[**] **Term:** 14 Years

[21] **Appl. No.:** 92,691

[22] **Filed:** Sep. 3, 1987

[30] **Foreign Application Priority Data**

Jun. 1, 1987 [GB] United Kingdom 1042543
[52] **U.S. Cl.** D8/312
[58] **Field of Search** D8/300, 307, 310, 311,
D8/312; 16/110 R, 121, 118

[56] **References Cited**

U.S. PATENT DOCUMENTS

D. 115,158 6/1939 Maerz D8/312
D. 167,618 9/1952 Coran D8/312
D. 189,142 11/1960 Heckman D8/312
D. 223,801 6/1972 Jensen et al. D8/312
4,779,305 10/1988 Gorsek 16/121

Primary Examiner—B. J. Bullock
Attorney, Agent, or Firm—James E. Nilles

[57] **CLAIM**

The ornamental design for a knob, as shown and described.

DESCRIPTION

FIG. 1 is a perspective view of a knob showing my new design;
FIG. 2 is a side elevational view thereof, both sides being identical;
FIG. 3 is a top plan view thereof, the bottom being identical;
FIG. 4 is a bottom plan view thereof;
FIG. 5 is an exploded perspective view thereof.

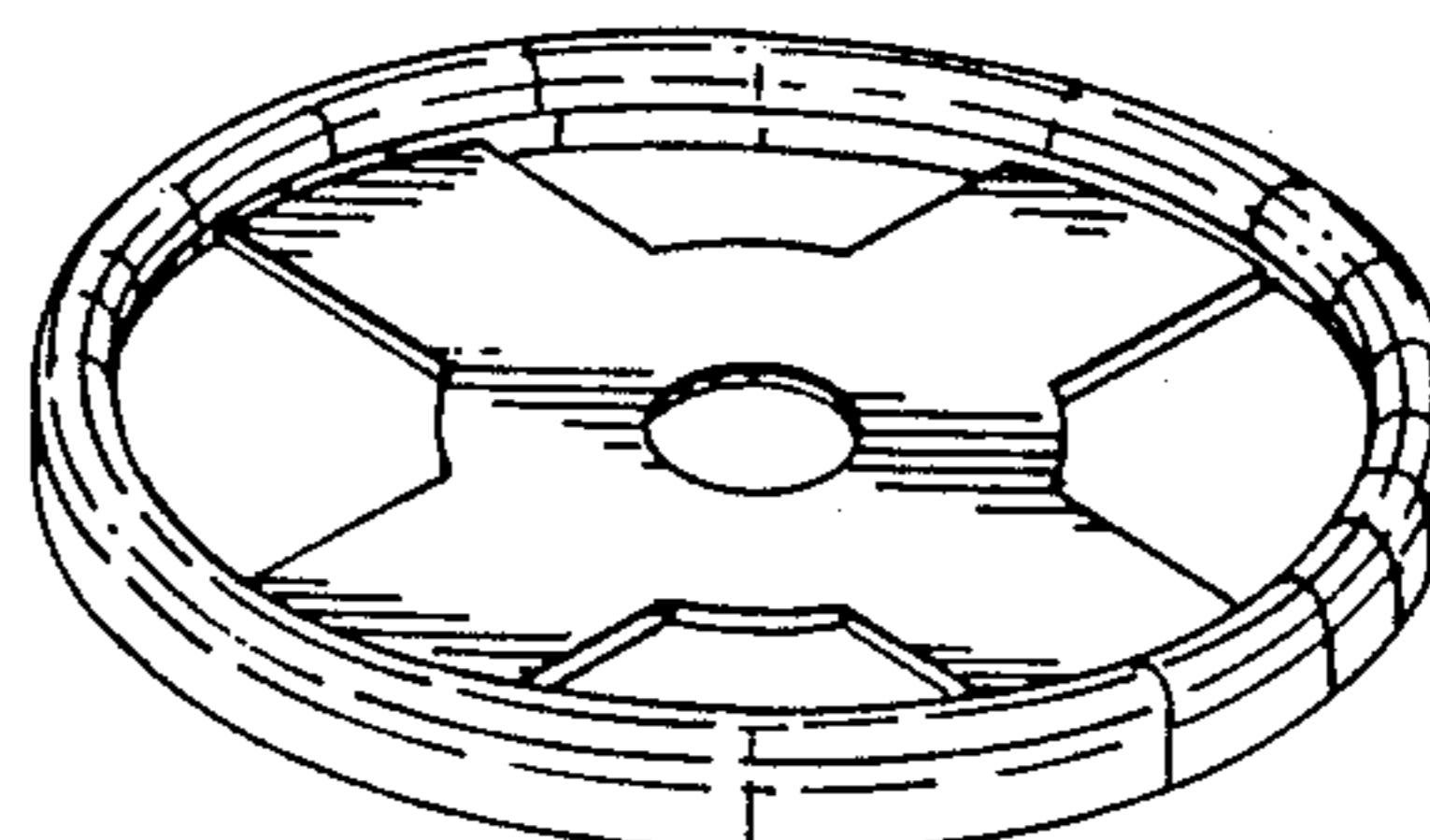
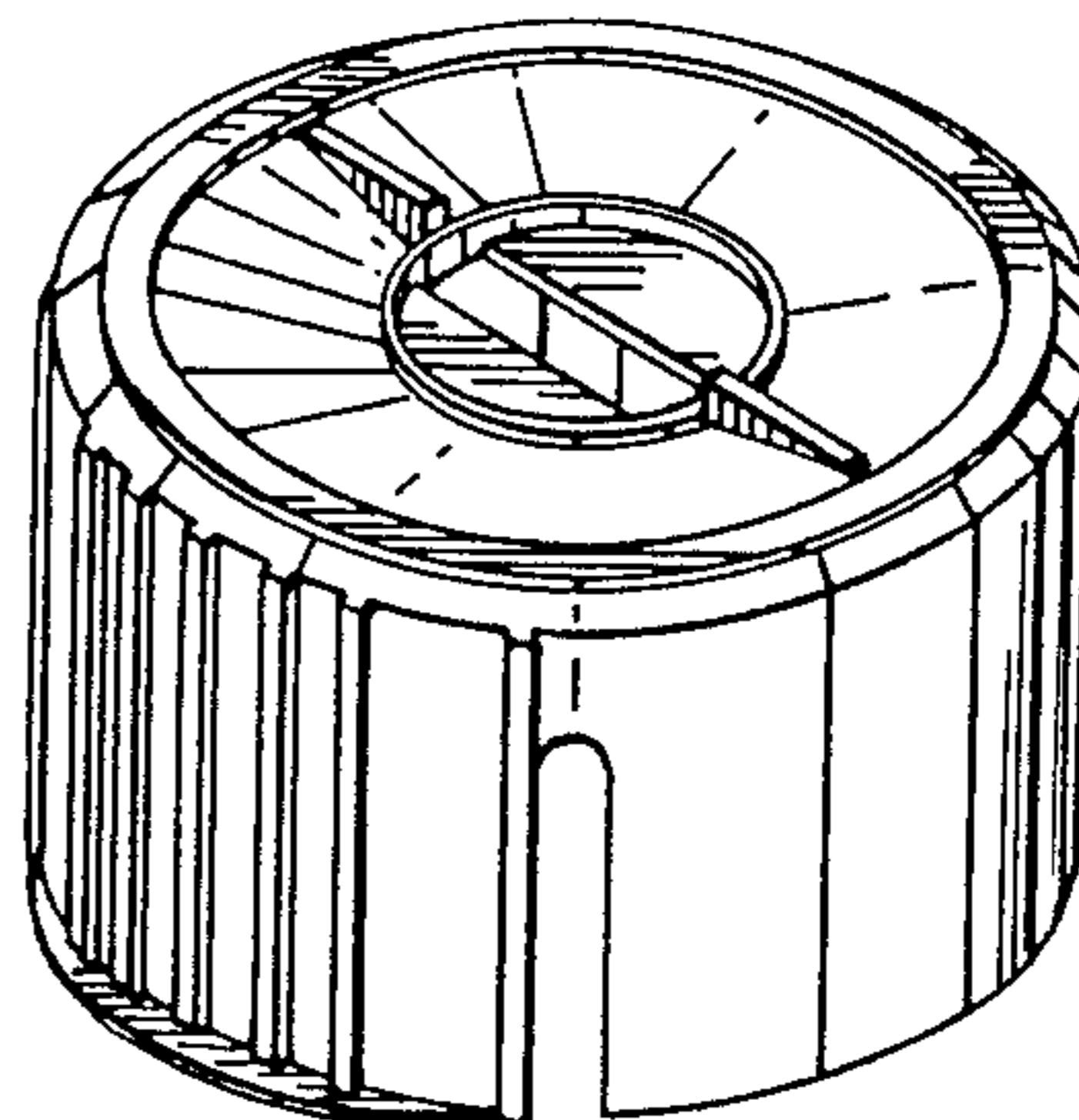
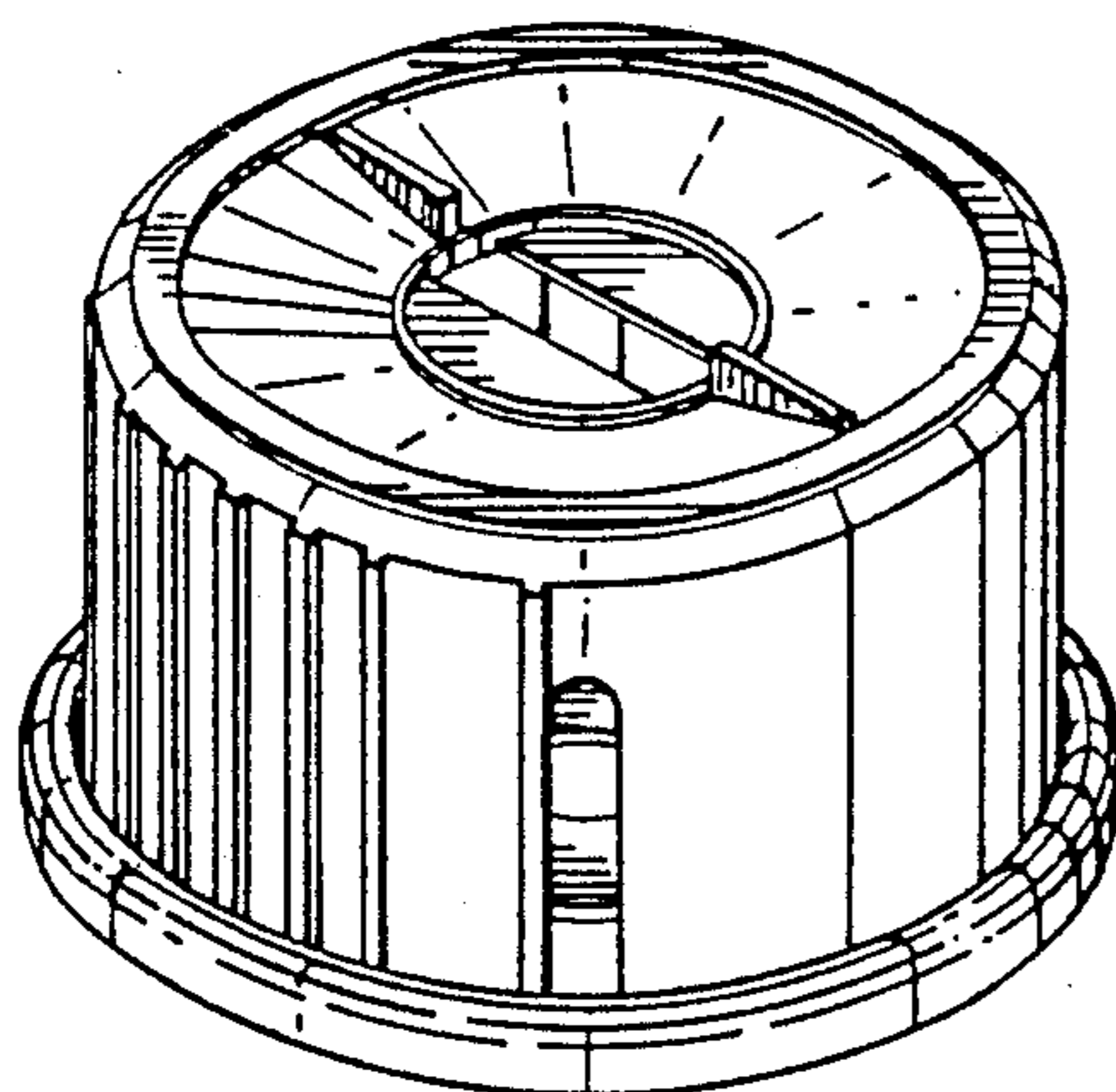


Fig. 1

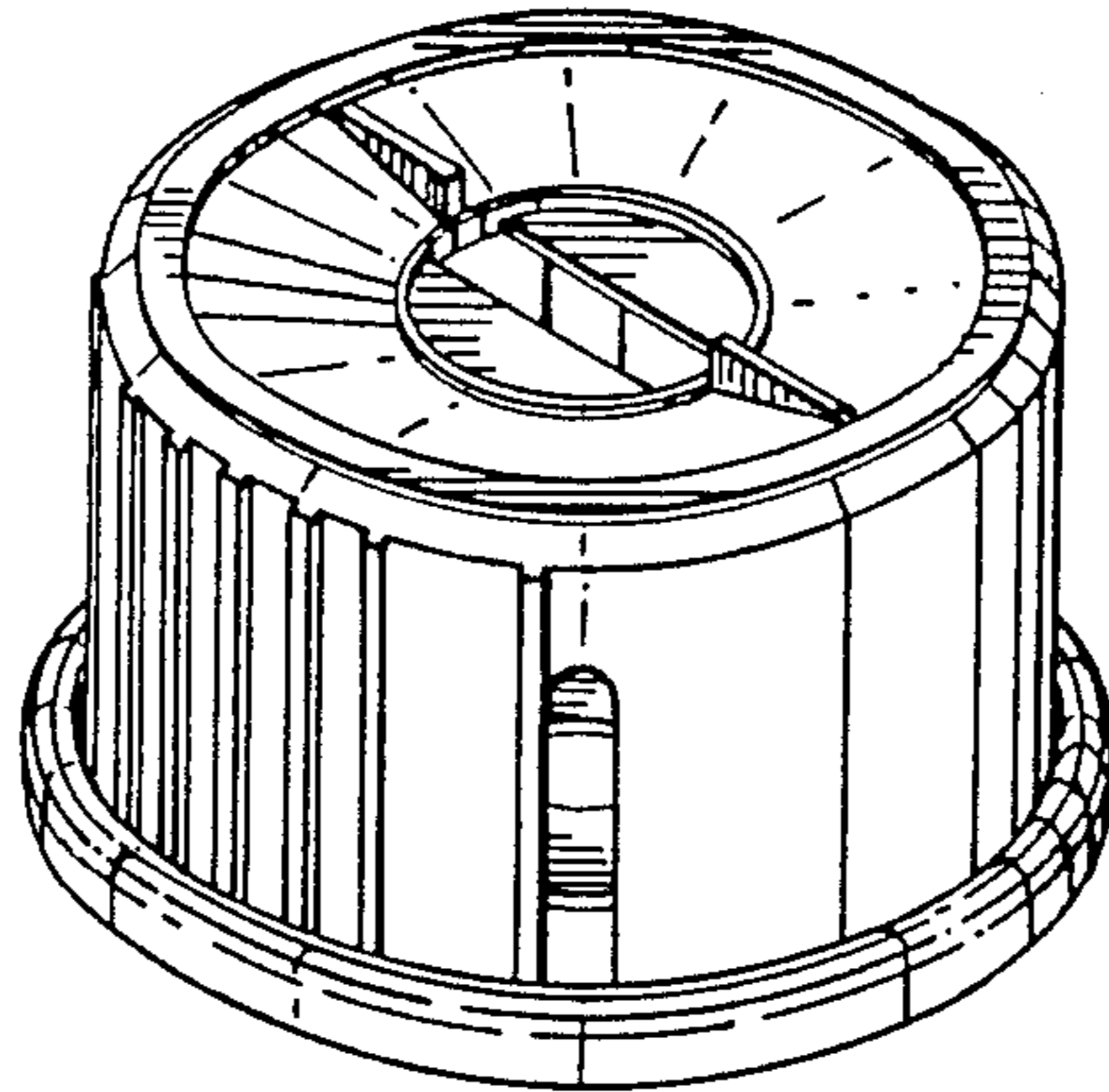


Fig. 2

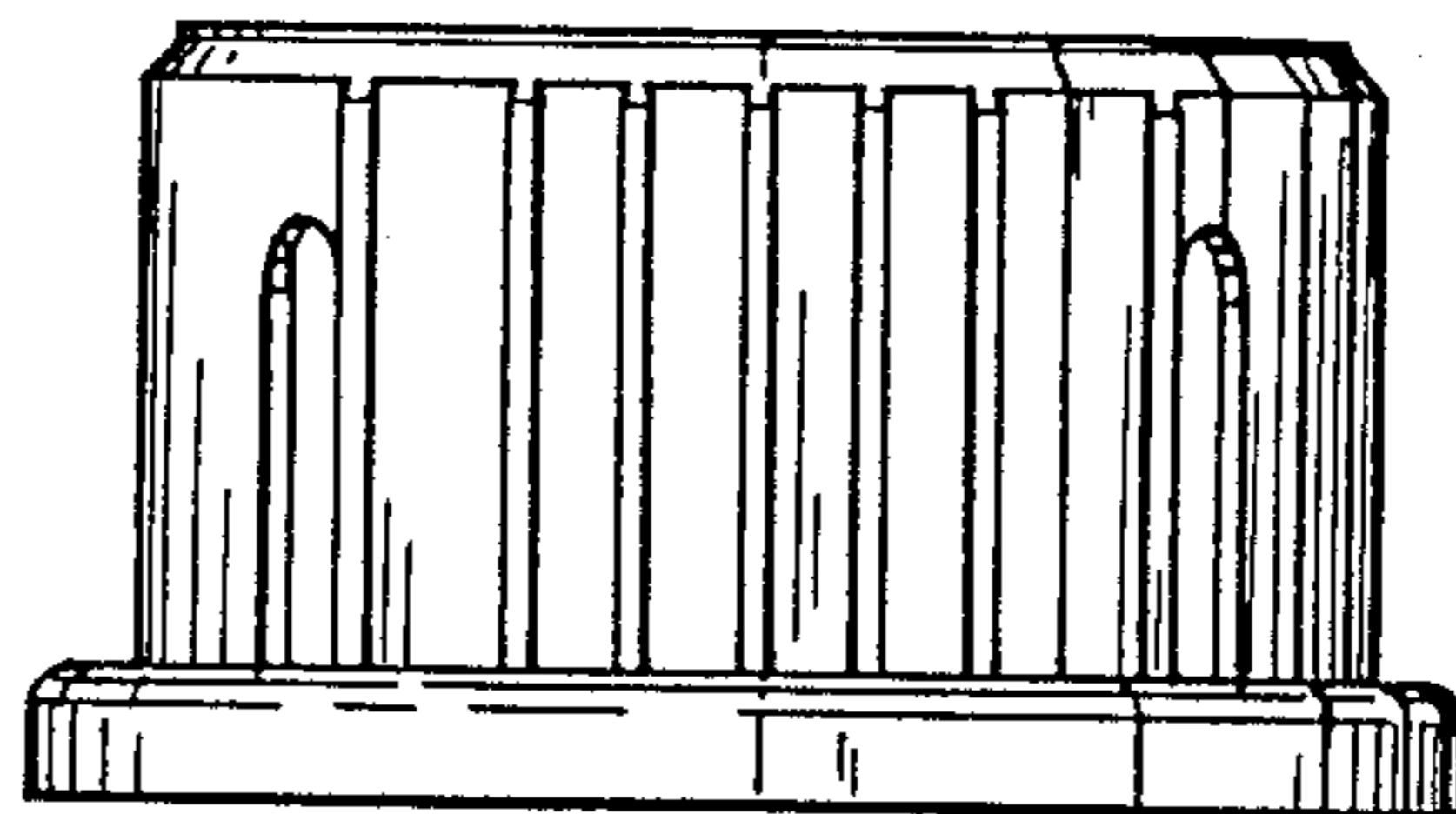


Fig. 3

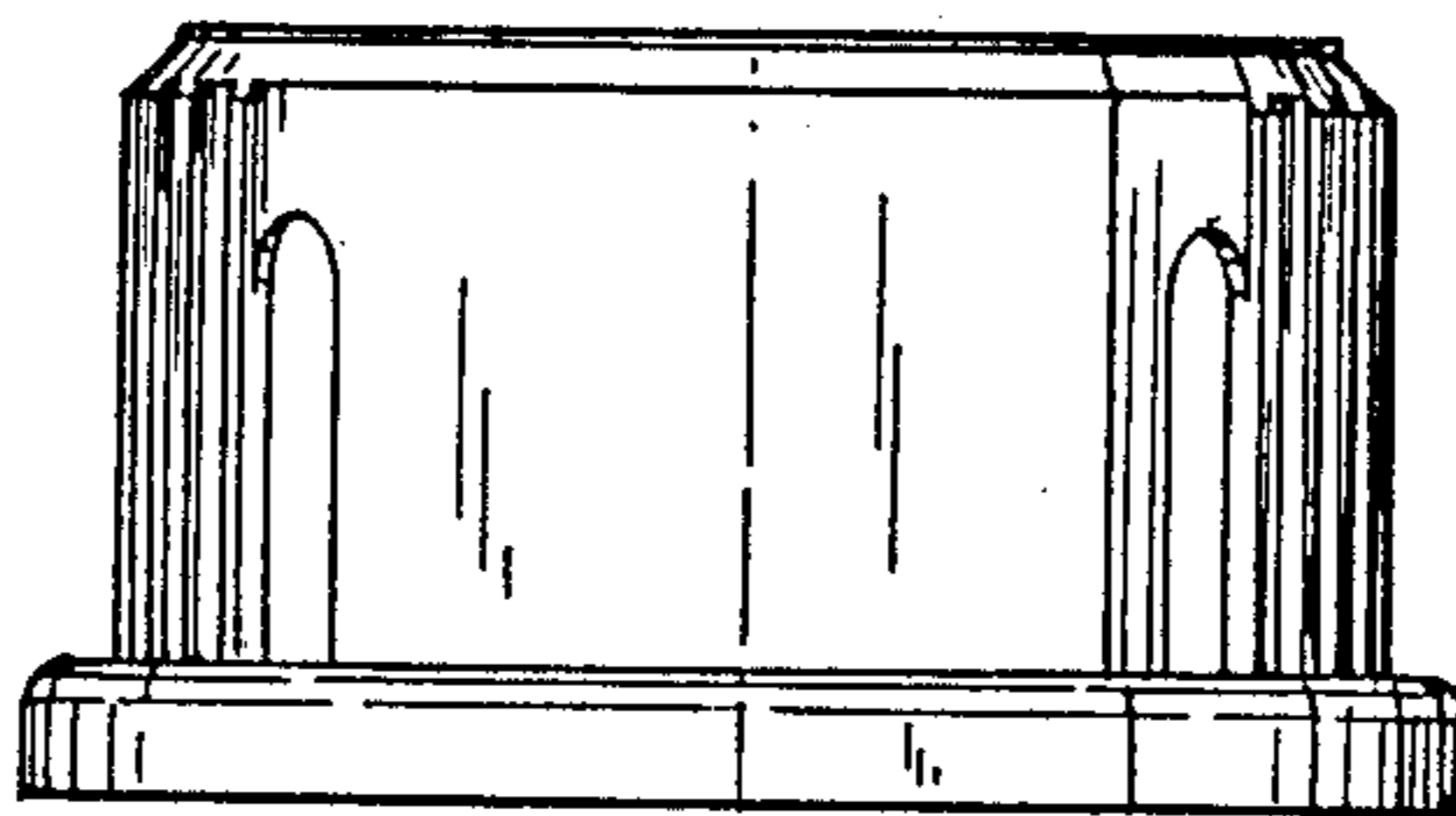


Fig. 4

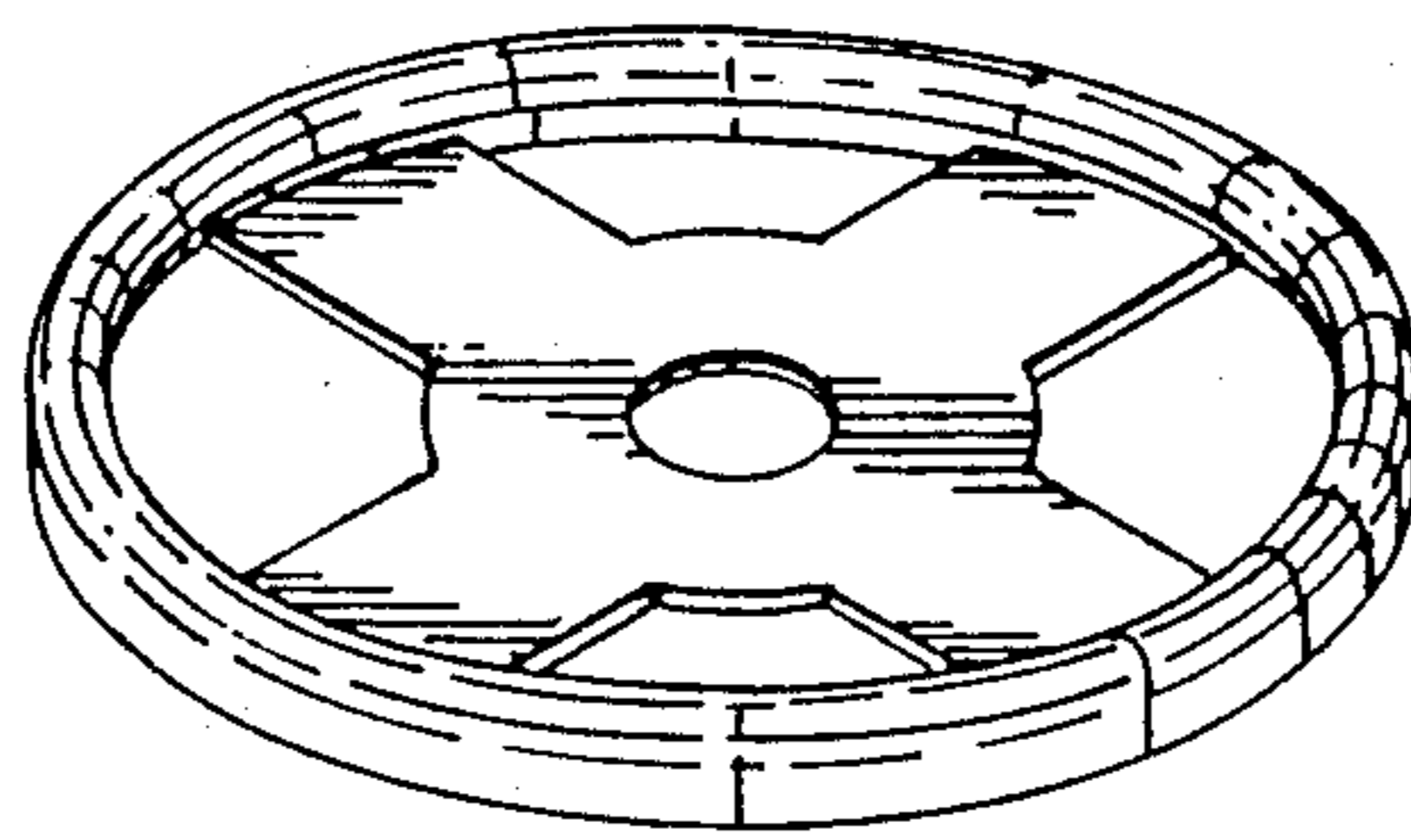
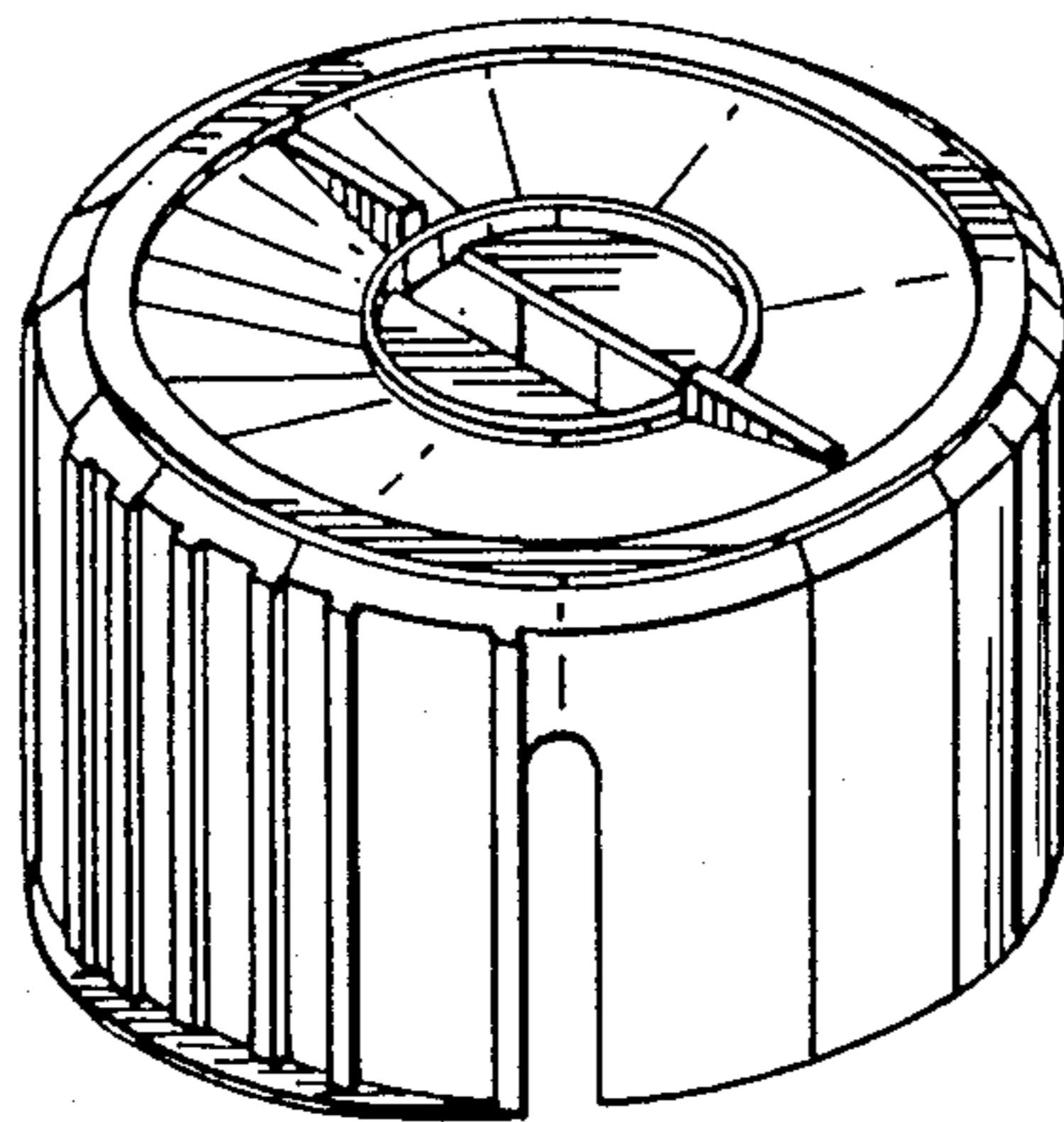
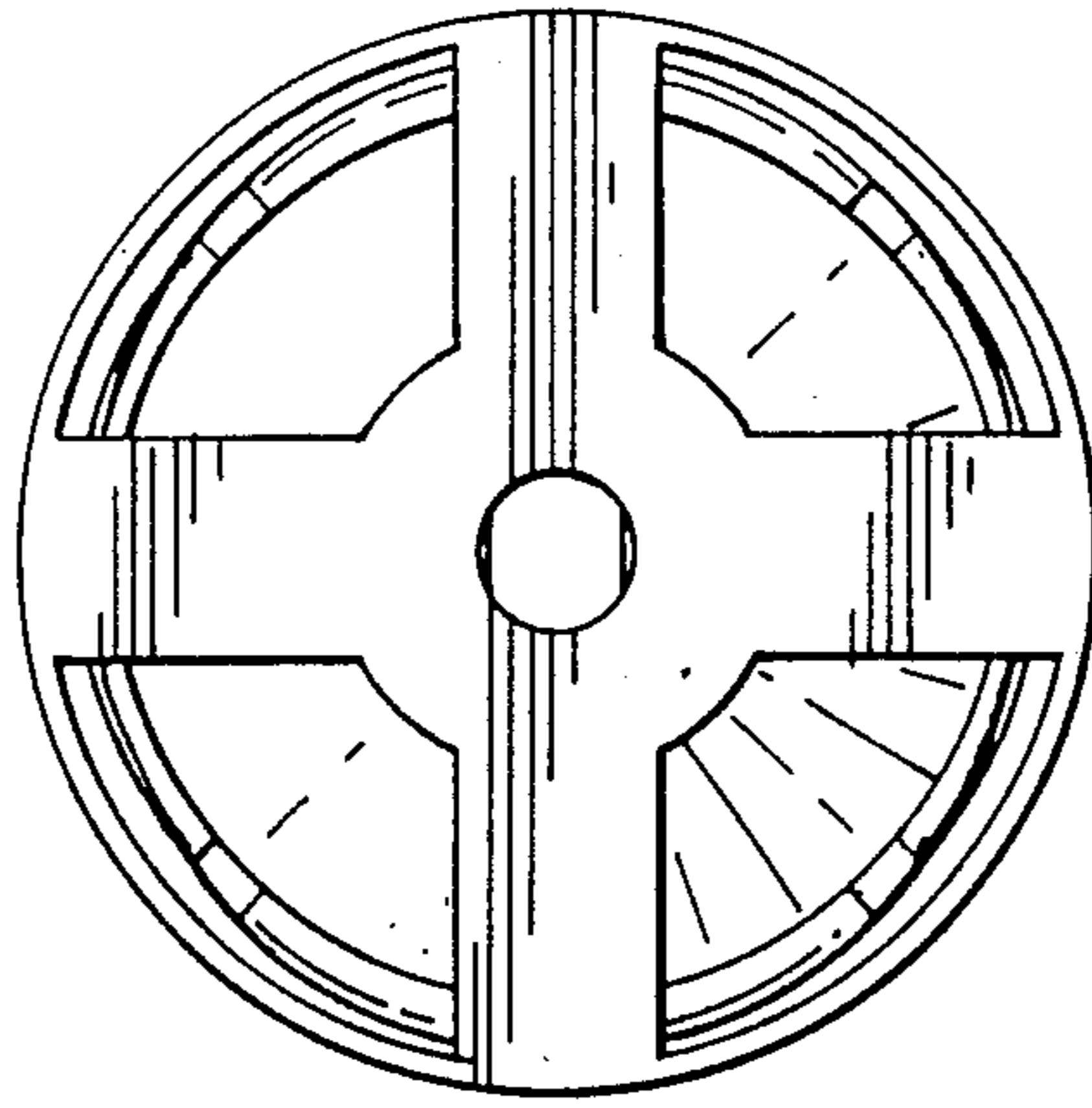


Fig. 5