

[54] SCREWDRIVER WITH SWIVELED FINGER HOOK

[76] Inventor: Richard C. Wilson, P.O. Box 26, 725 Bradford, Champlin, Minn. 55316

[**] Term: 14 Years

[21] Appl. No.: 899,646

[22] Filed: Aug. 25, 1986

[52] U.S. Cl. D8/82

[58] Field of Search D8/82-87, D8/107, 70; 81/436, 441, 901, 460, 461, 437, 441, 177.1, 489; 7/164, 165

[56] References Cited

U.S. PATENT DOCUMENTS

| | | | | |
|------------|---------|----------|-------|---------|
| D. 111,907 | 10/1938 | La Rue | | D8/84 |
| 2,506,922 | 5/1950 | Hansen | | 7/165 |
| 2,849,041 | 8/1958 | Vetri | | 81/436 |
| 2,884,972 | 5/1959 | Harris | | D8/83 X |
| 3,177,910 | 4/1965 | Da Silva | | 7/165 |

4,196,761 4/1980 Royer 81/177.1

Primary Examiner—Bruce W. Dunkins

Assistant Examiner—Clare E. Heflin

Attorney, Agent, or Firm—James R. Haller; Gregory P. Kaihoi

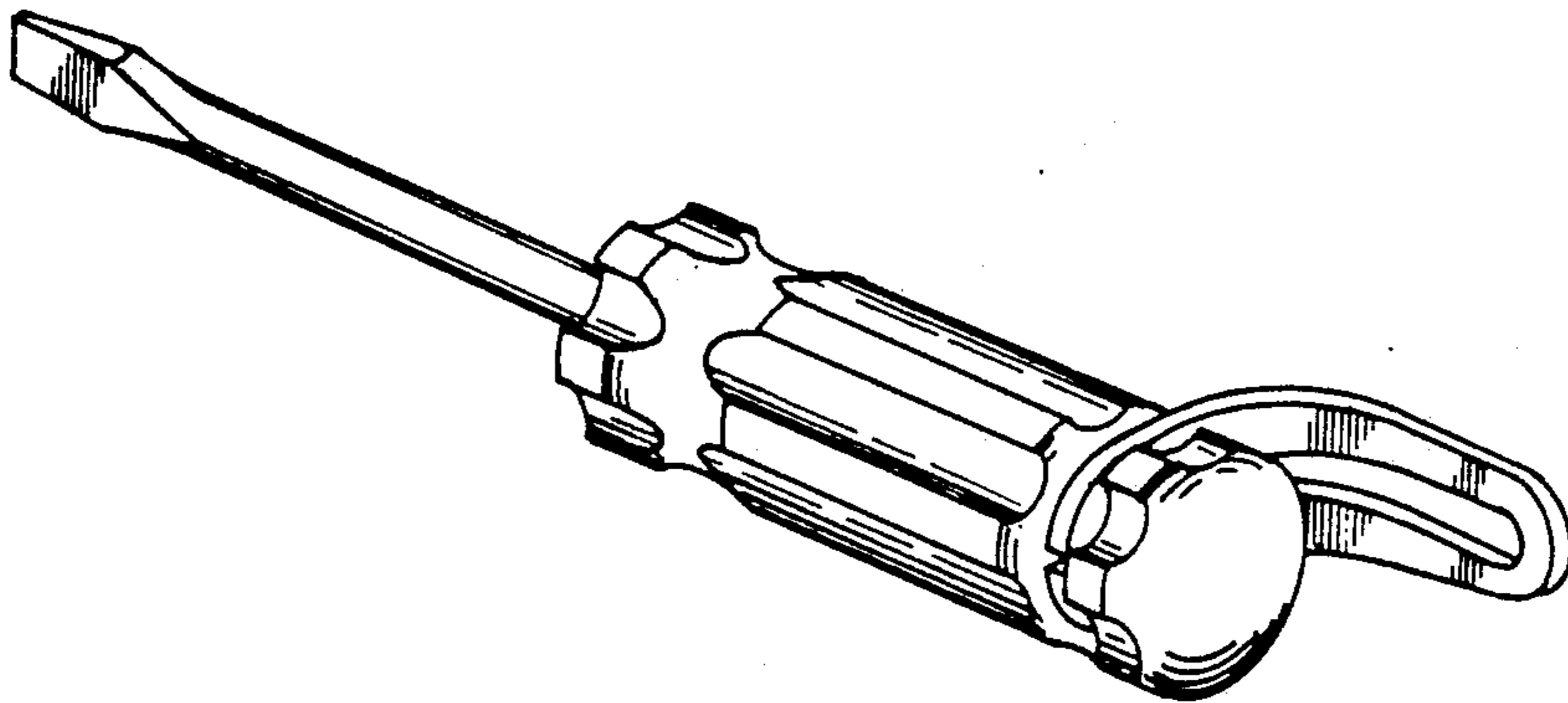
[57] CLAIM

The ornamental design for a screwdriver with swiveled finger hook, as shown and described.

DESCRIPTION

FIG. 1 is a perspective view of the screwdriver with swiveled finger hook showing my new design; FIG. 2 is a side elevational view thereof, the opposite side elevational view being a mirror image thereof; FIG. 3 is a top plan view thereof; FIG. 4 is a fragmentary front elevational view thereof; FIG. 5 is a fragmentary rear elevational view thereof; FIG. 6 is a broken-away view of a modified form of the invention.

The portion of the tool not shown in FIGS. 4 and 5 has been omitted for ease of illustration only.



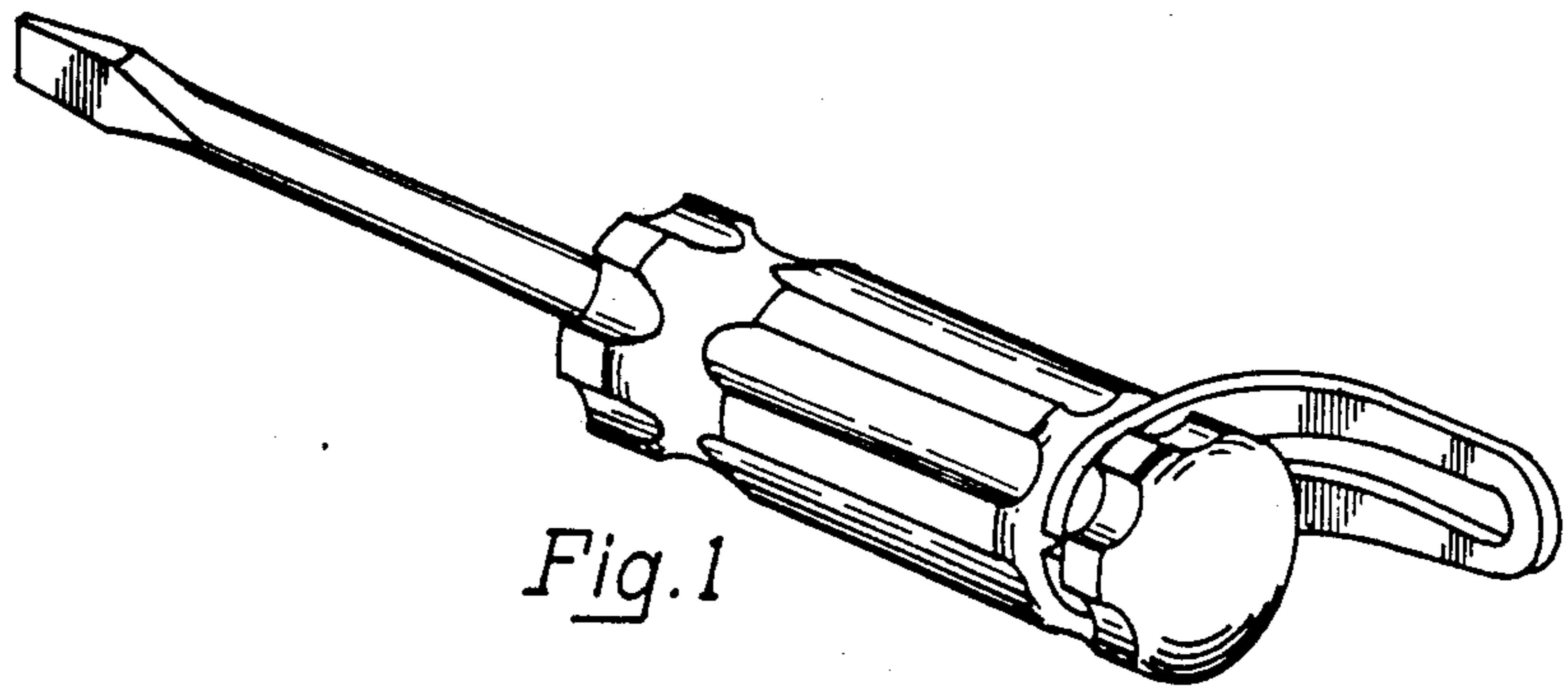


Fig. 1

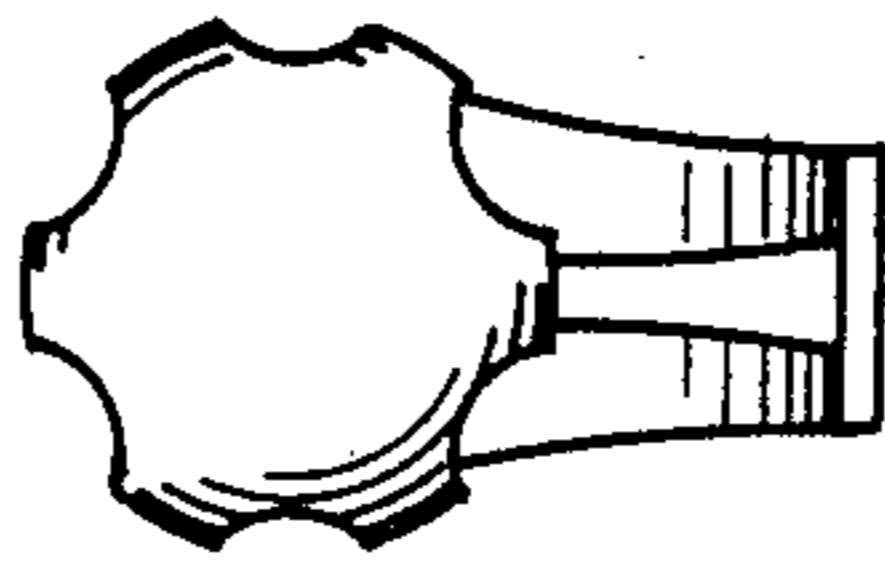


Fig. 3

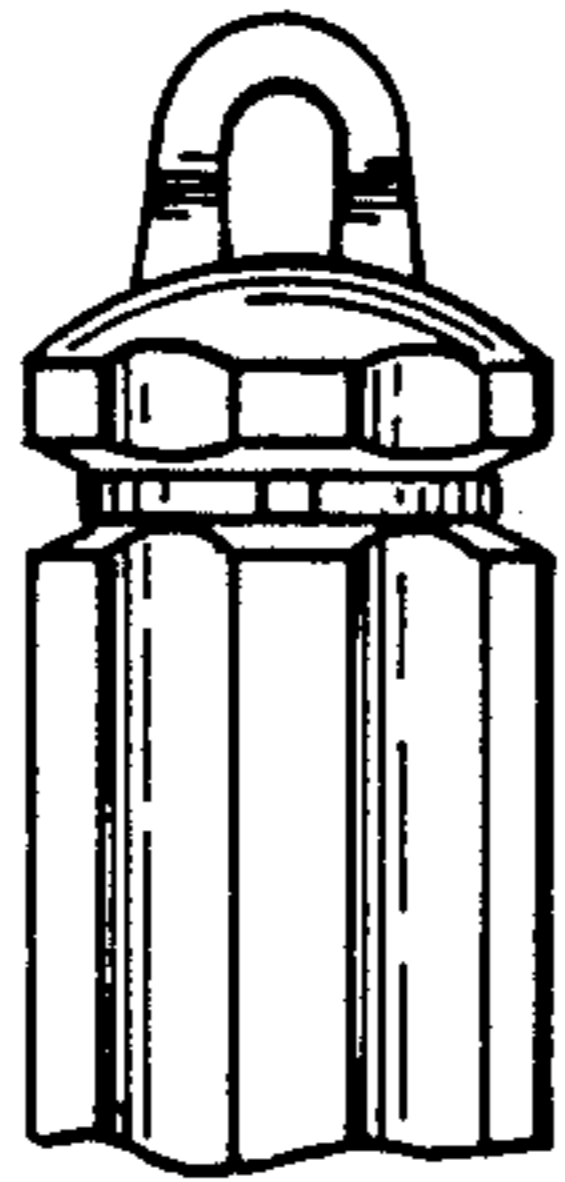


Fig. 4

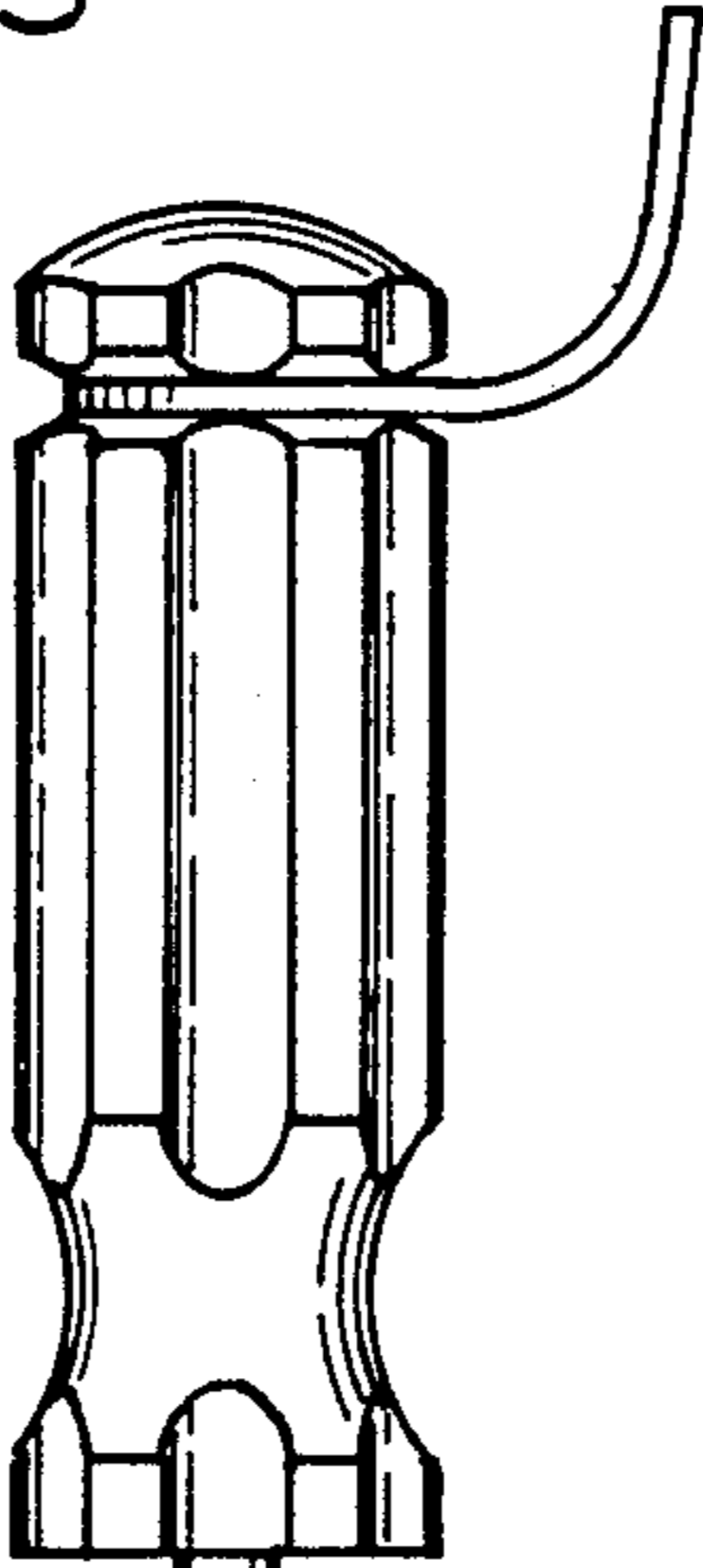


Fig. 2

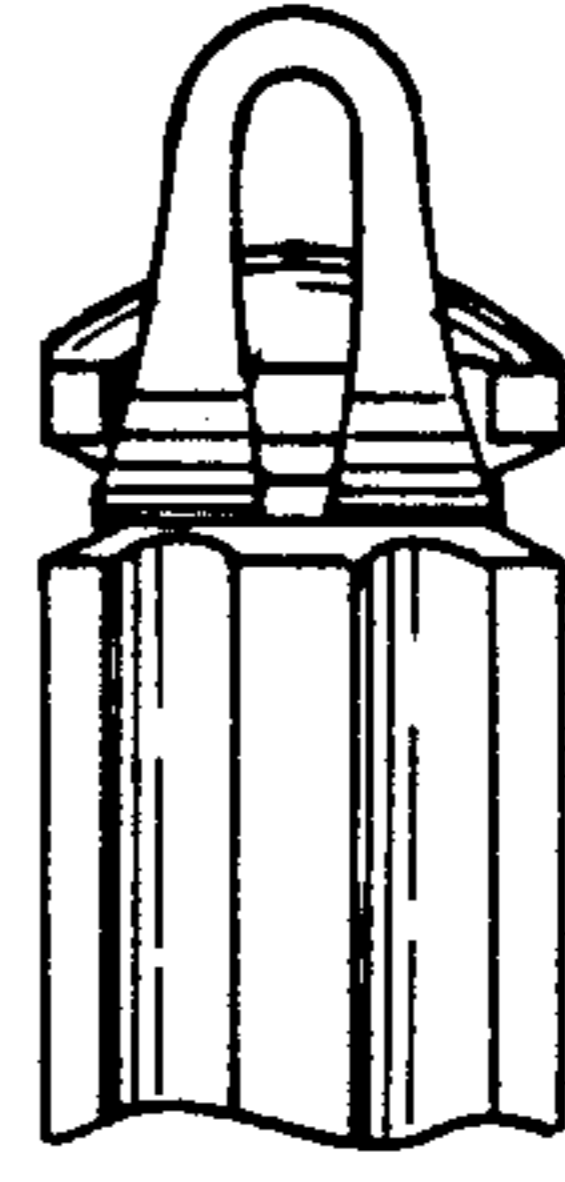


Fig. 5

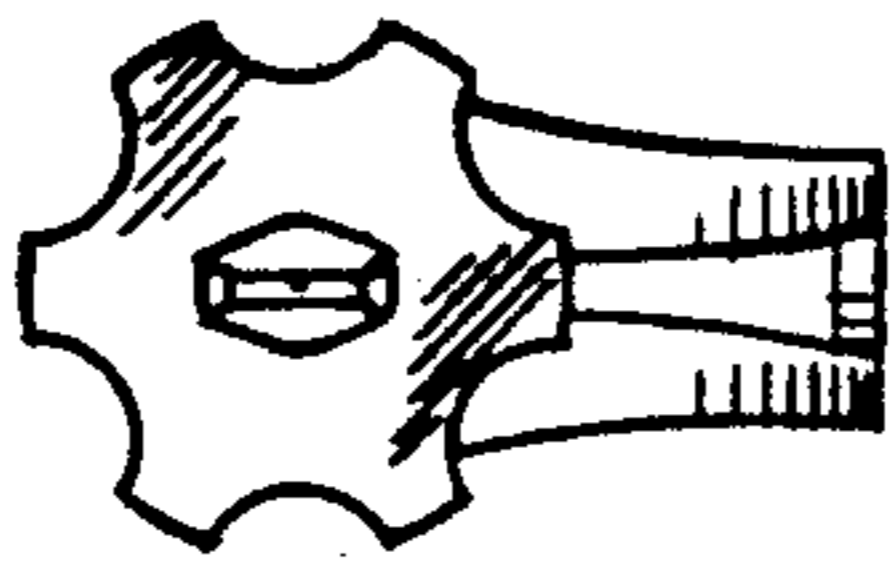


Fig. 6