

[54] **CLAMP**

[75] **Inventor: Merry S. Riehm, Buffalo, N.Y.**

[73] **Assignee: The Quaker Oats Company, Chicago, Ill.**

[**] **Term: 14 Years**

[21] **Appl. No.: 929,222**

[22] **Filed: Nov. 7, 1986**

[52] **U.S. Cl. D8/72**

[58] **Field of Search D8/71-74,
D8/394; 269/254 R, 156, 95, 97, 258, 268;
D15/140**

[56] **References Cited**

U.S. PATENT DOCUMENTS

- D. 175,488 9/1955 Anderson et al. D8/72
- 865,623 9/1907 Wood 269/254 R
- 4,524,959 6/1985 Kubo 269/156 X

FOREIGN PATENT DOCUMENTS

222539 5/1985 German Democratic
Rep. 269/254 R

OTHER PUBLICATIONS

Armstrong Bray & Co., 2 page flyer, "Six Popular Steel-grip Pullers" article #'s 1001A and 1002.

Primary Examiner—Winifred E. Herrmann

Assistant Examiner—John Warchol

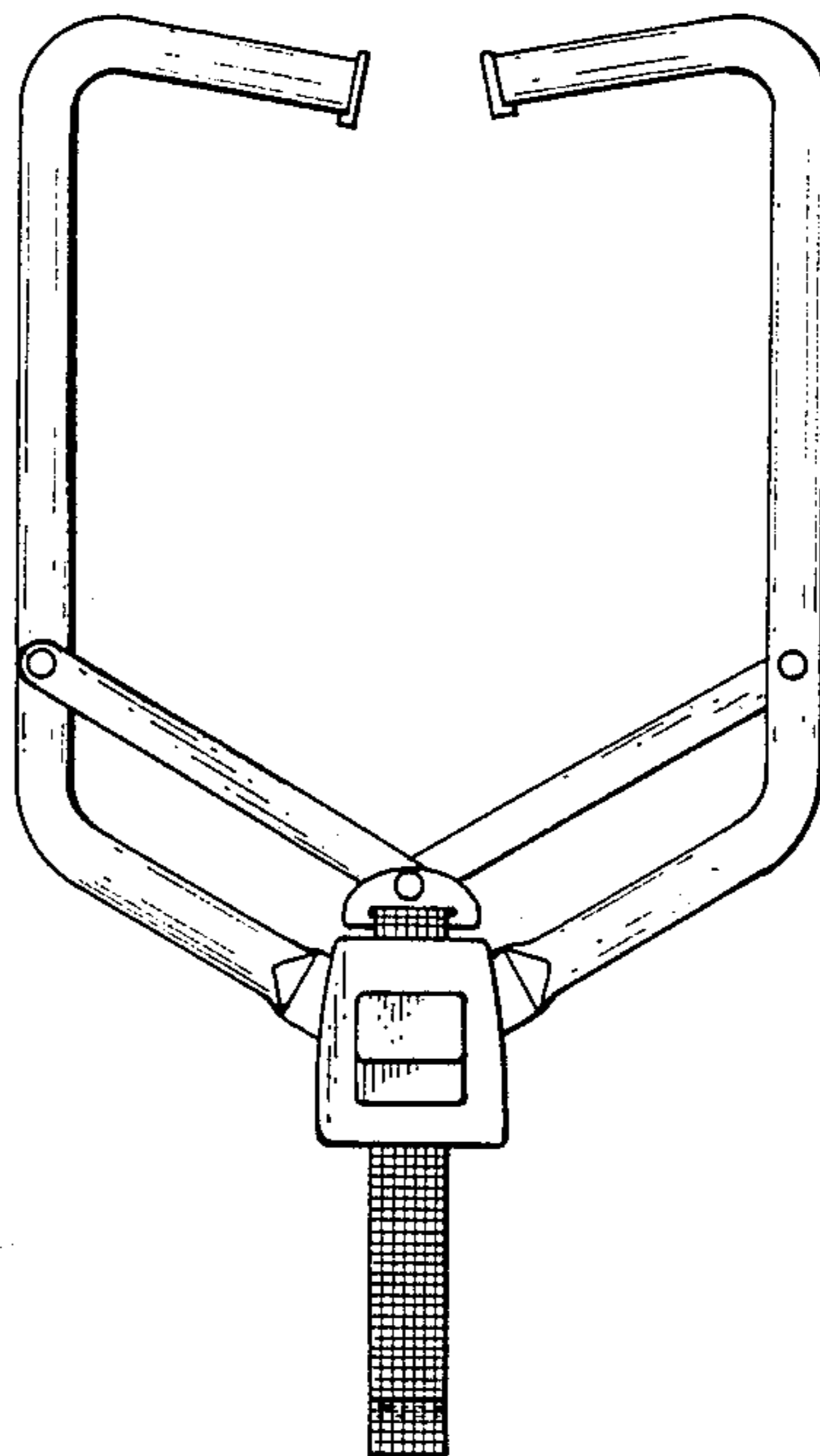
Attorney, Agent, or Firm—Cumpston & Shaw

[57] **CLAIM**

The ornamental design for a clamp, as shown and described.

DESCRIPTION

FIG. 1 is a front elevational view of a clamp showing my new design;
 FIG. 2 is a right side elevational view thereof, the left side being a mirror image thereof;
 FIG. 3 is a top plan view thereof;
 FIG. 4 is a rear elevational view thereof; and
 FIG. 5 is a bottom plan view thereof.



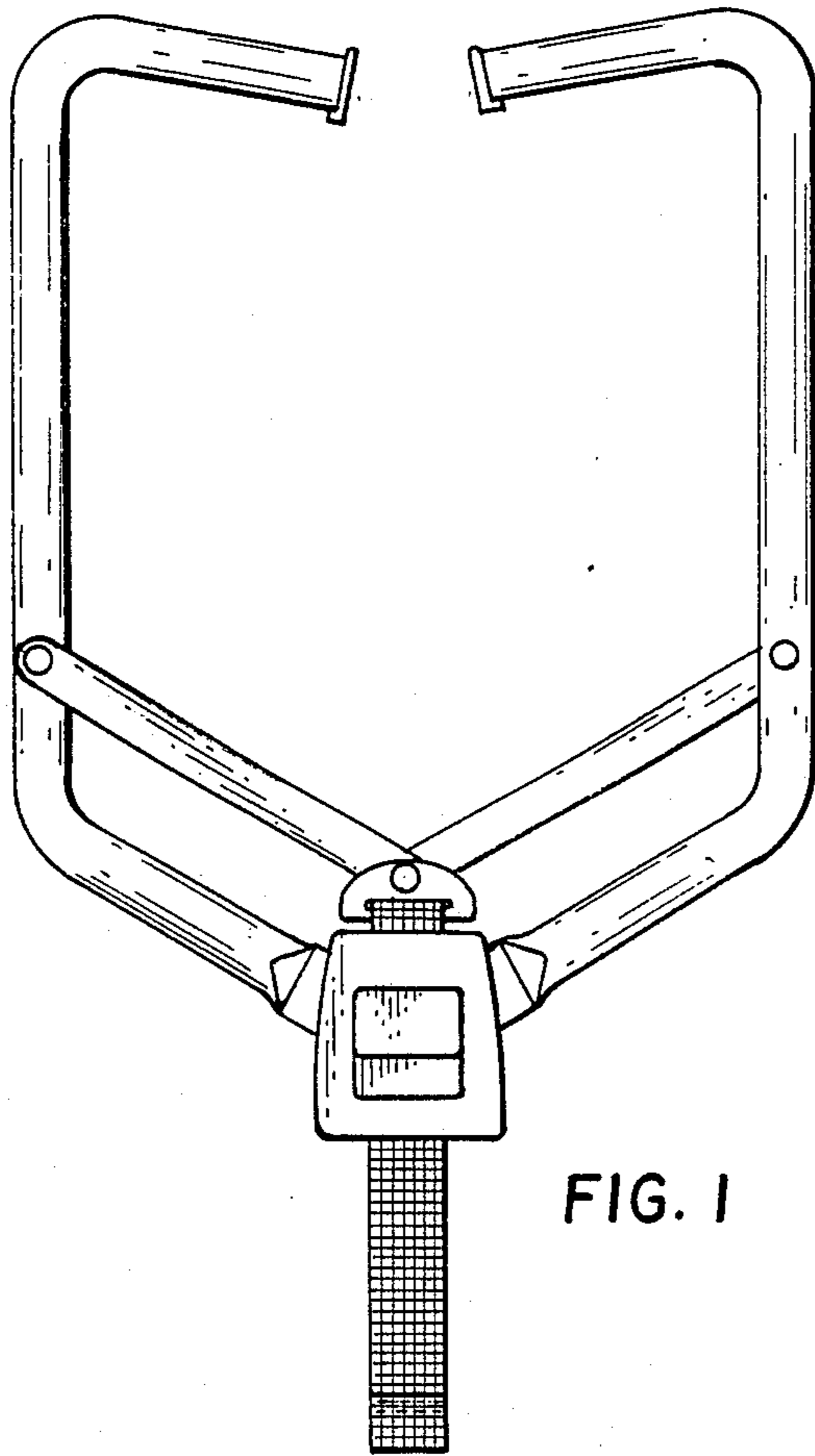


FIG. 1

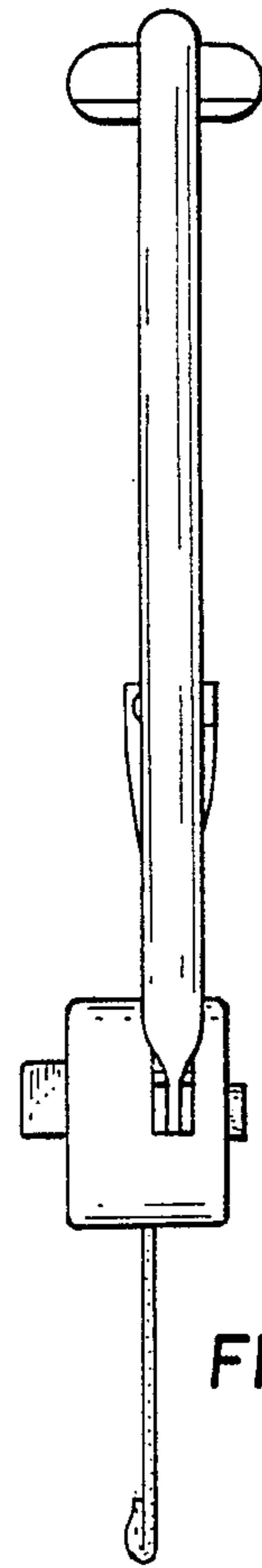


FIG. 2

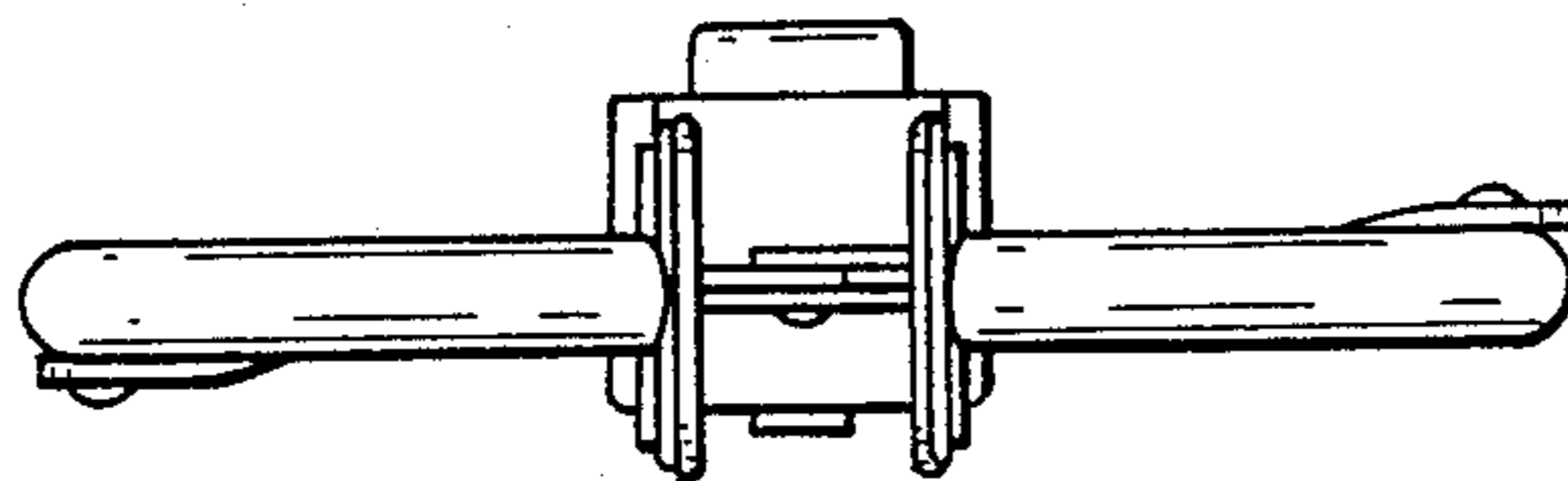


FIG. 3

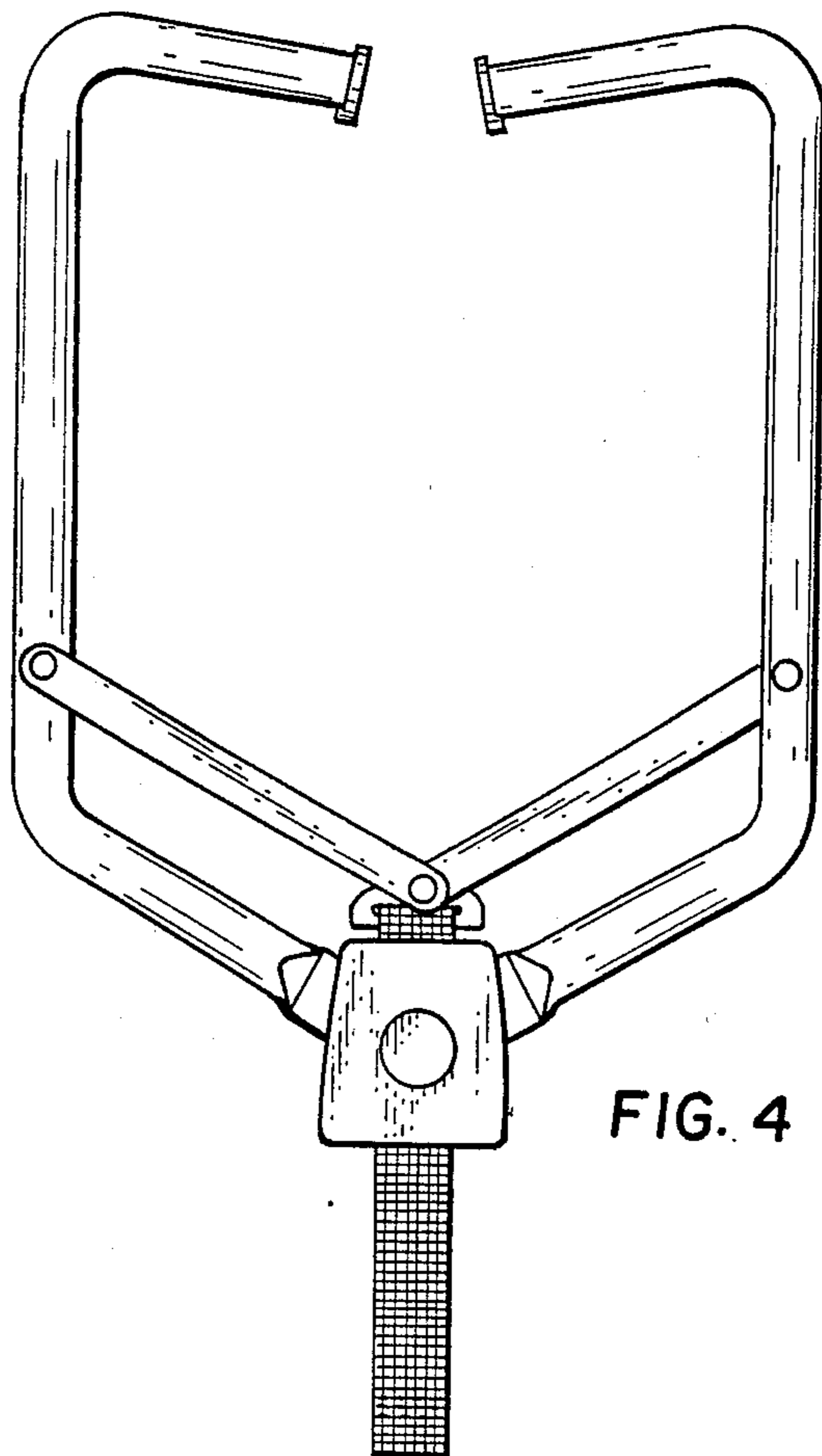


FIG. 4

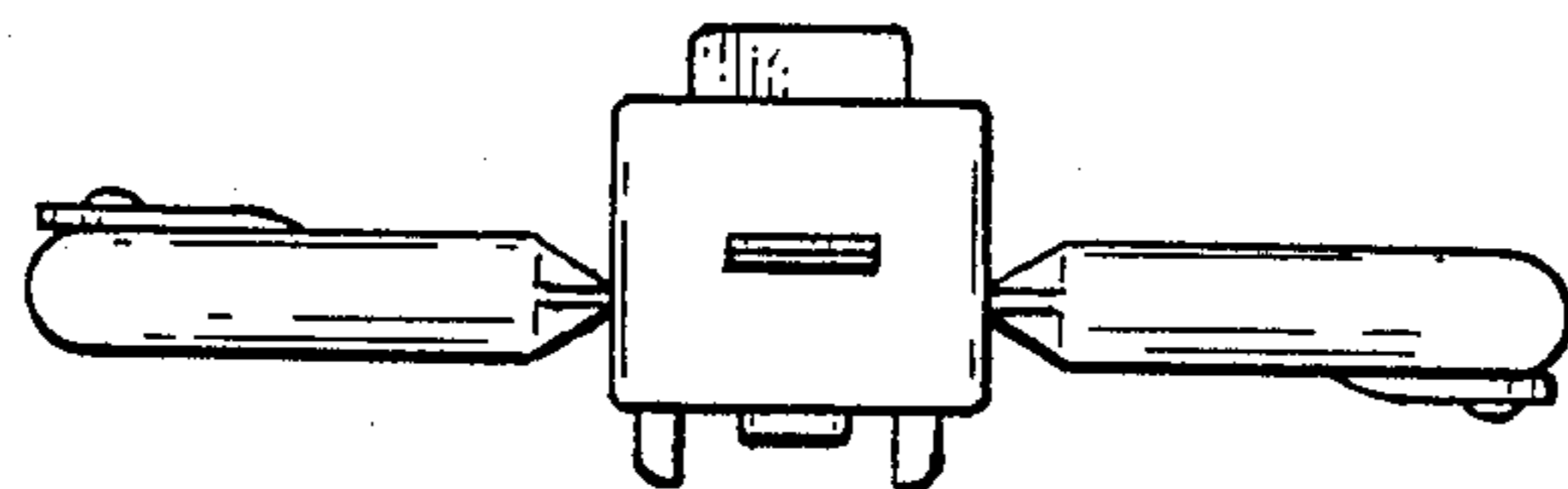


FIG. 5