

[54] ELECTRIC FINISHING SANDER

[75] Inventors: Fusao Fushiya; Yasuo Itoh, both of Anjo, Japan

[73] Assignee: Makita Electric Works, Ltd., Japan

[**] Term: 14 Years

[21] Appl. No.: 51,062

[22] Filed: May 15, 1987

[52] U.S. Cl. D8/62; D8/67; D8/69

[58] Field of Search D8/61, 62, 67, 69, 70, D8/90-93; 51/170 T, 170 R, 170 TL, 170 EB, 170 MT, 177, DIG. 17; 29/80, 81 U, 81 K, 81 L

[56] References Cited

U.S. PATENT DOCUMENTS

D. 166,045 2/1952 Moore D8/62

D. 166,304 4/1952 Falls D8/62
D. 200,865 4/1965 Lardell D8/62
3,101,524 8/1963 Falls 29/81 J
3,497,336 2/1970 Buschman 51/170 EB

Primary Examiner—Nelson C. Holtje
Assistant Examiner—Clare E. Heflin
Attorney, Agent, or Firm—Lahive & Cockfield

[57] CLAIM

The ornamental design for an electric finishing sander, as shown and described.

DESCRIPTION

FIG. 1 is a perspective view of the electric finishing sander showing our new design;
FIG. 2 is a right side elevational view thereof;
FIG. 3 is a left side elevational view thereof;
FIG. 4 is a top plan view thereof;
FIG. 5 is a bottom plan view thereof;
FIG. 6 is a front elevational view thereof;
FIG. 7 is a rear elevational view thereof.

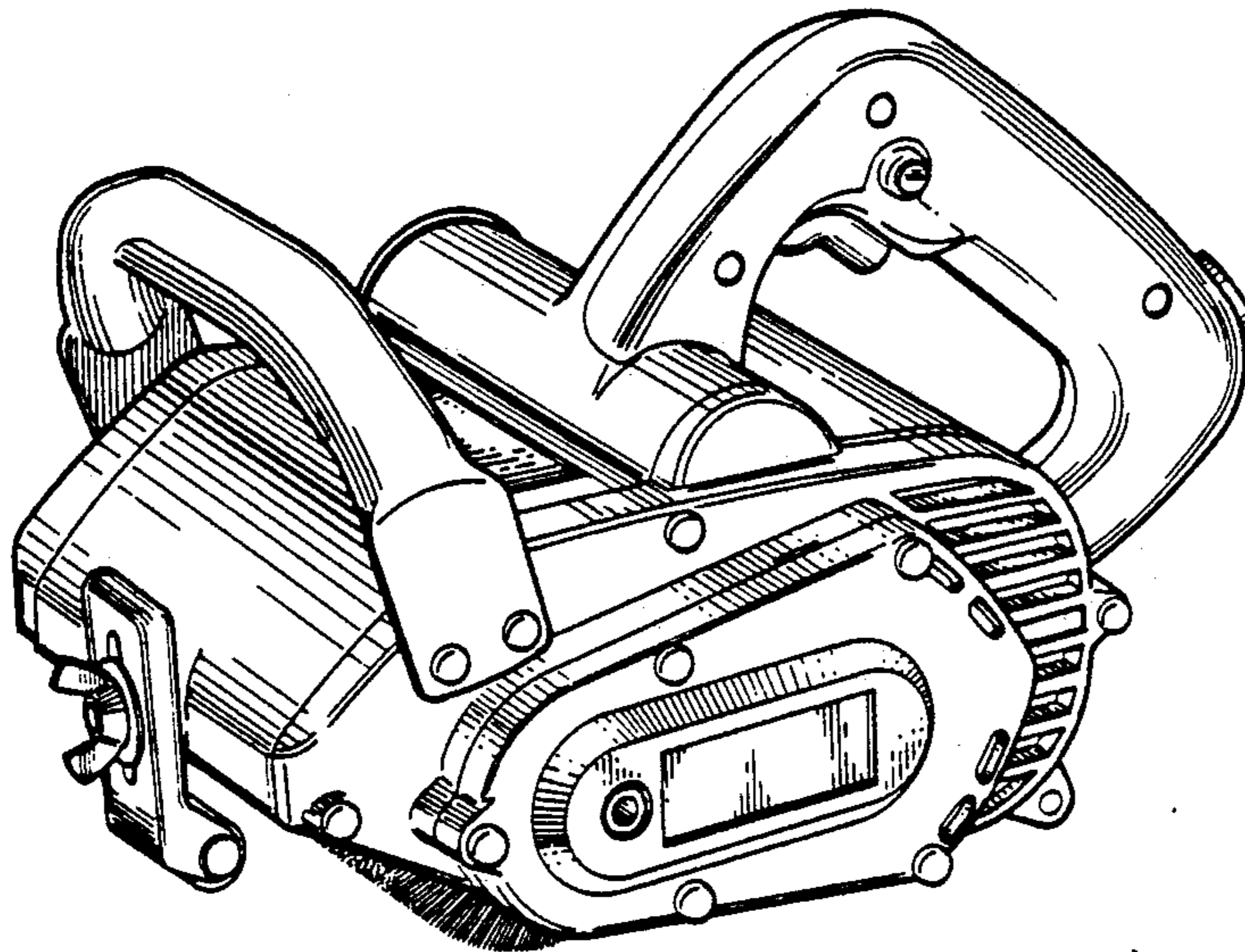


FIG. 1

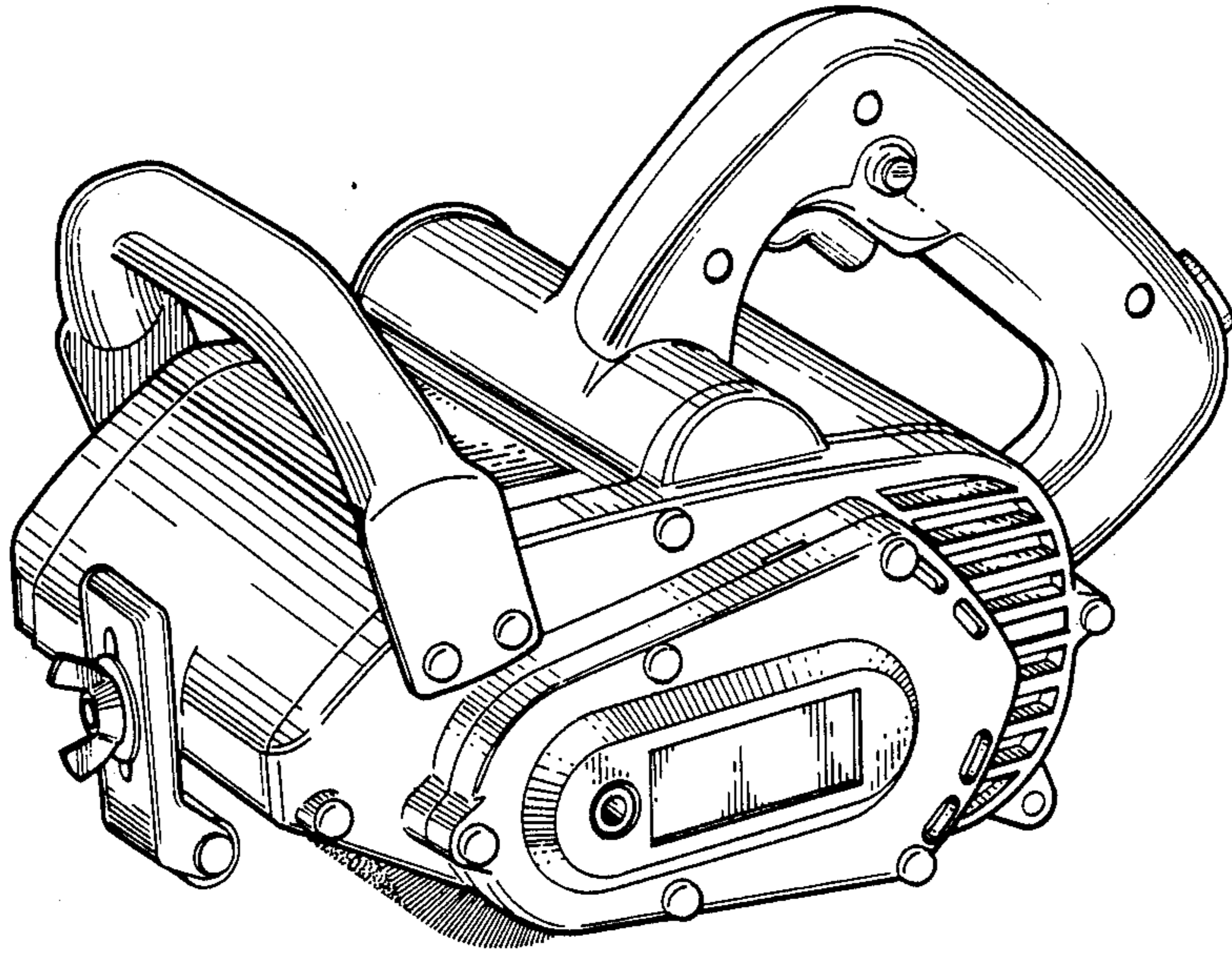


FIG. 2

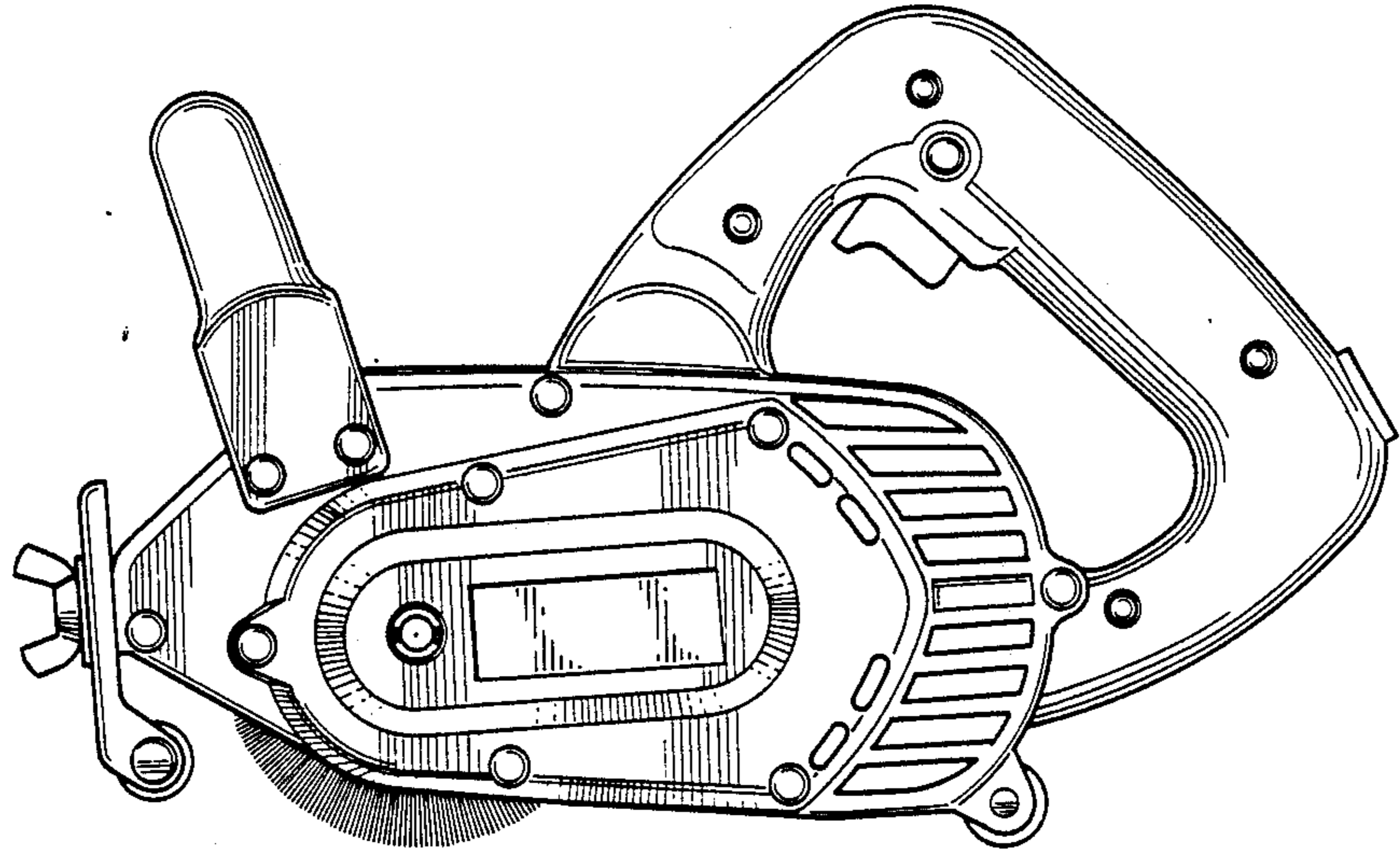


FIG. 3

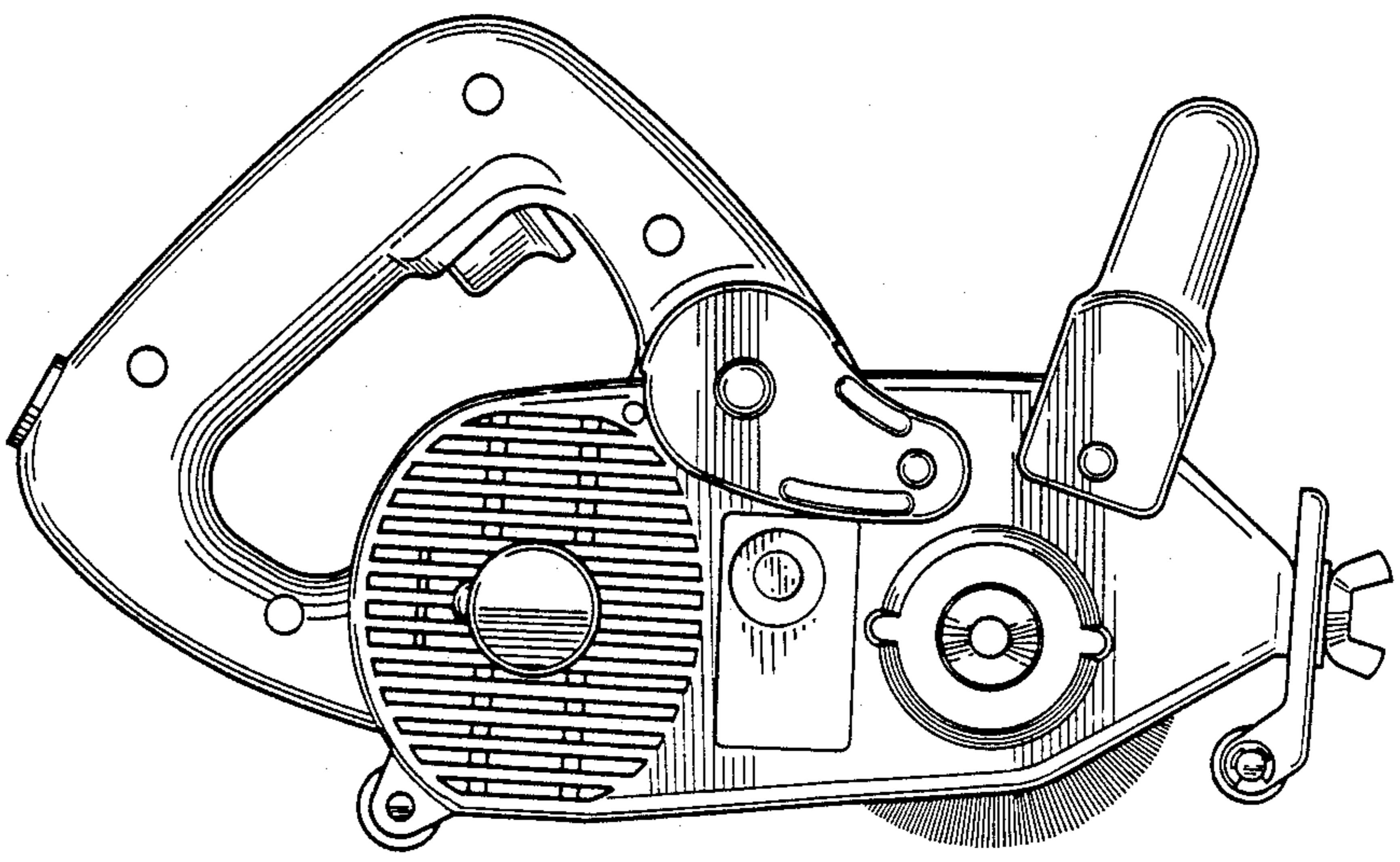


FIG. 4

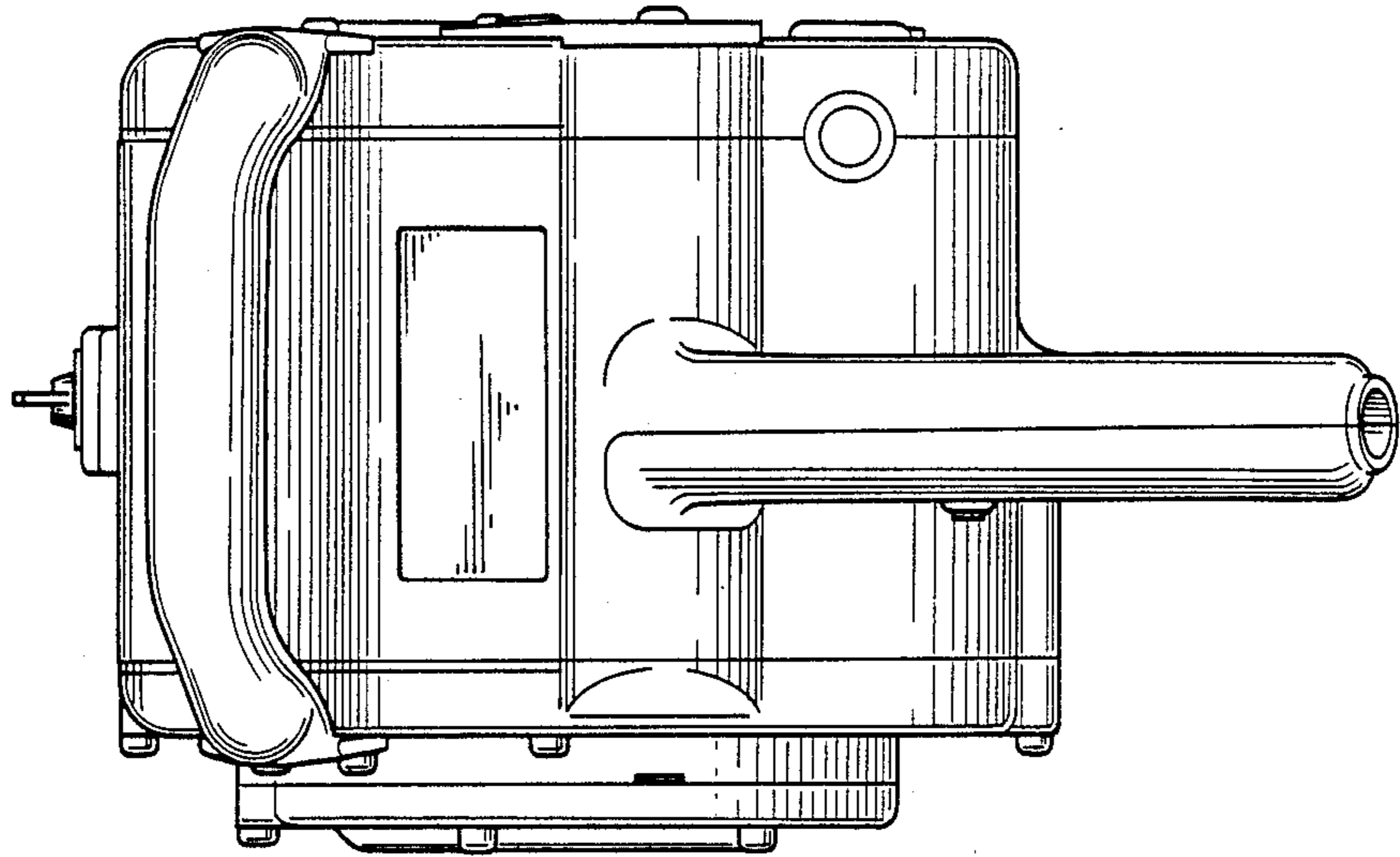


FIG. 5

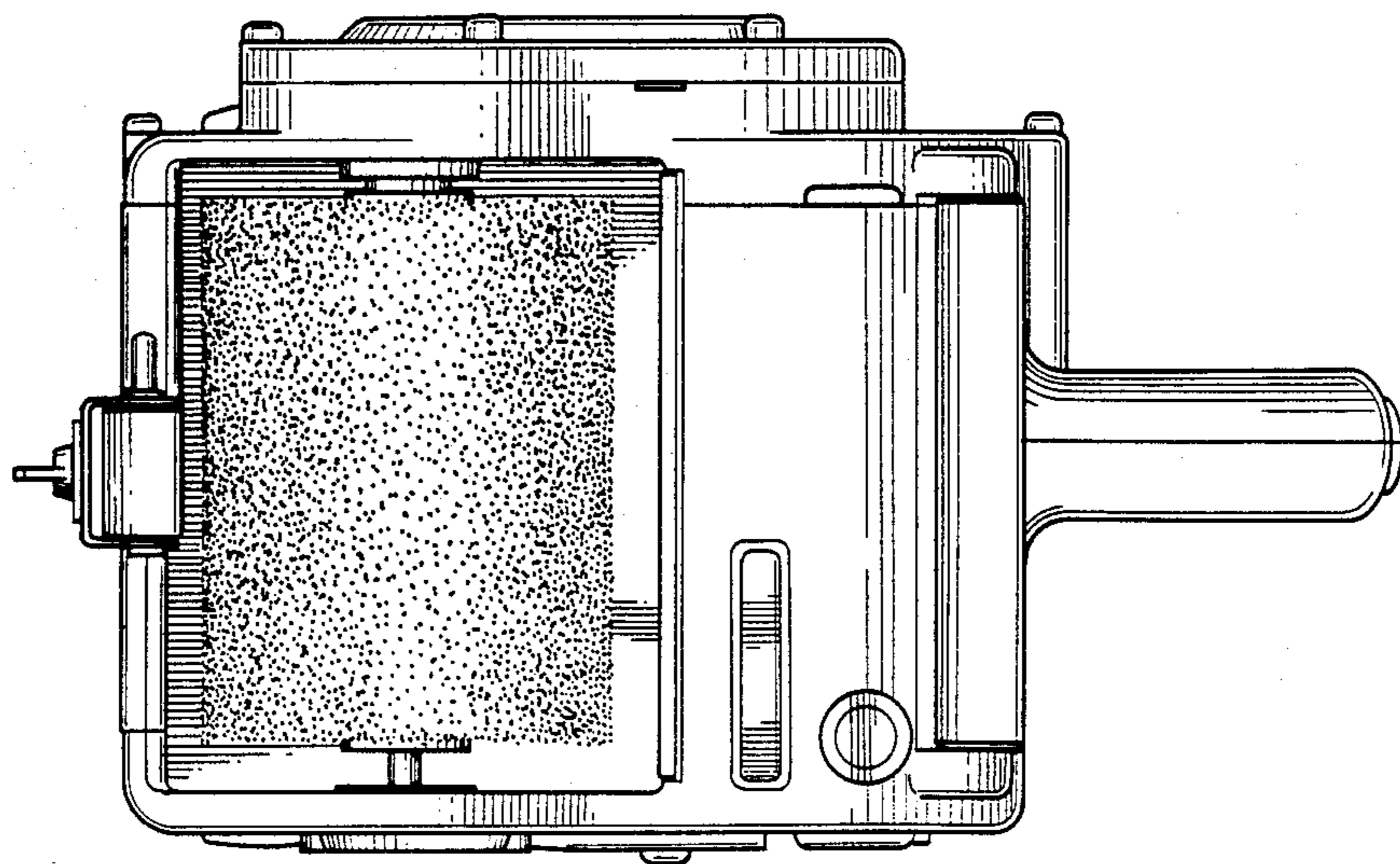


FIG. 6

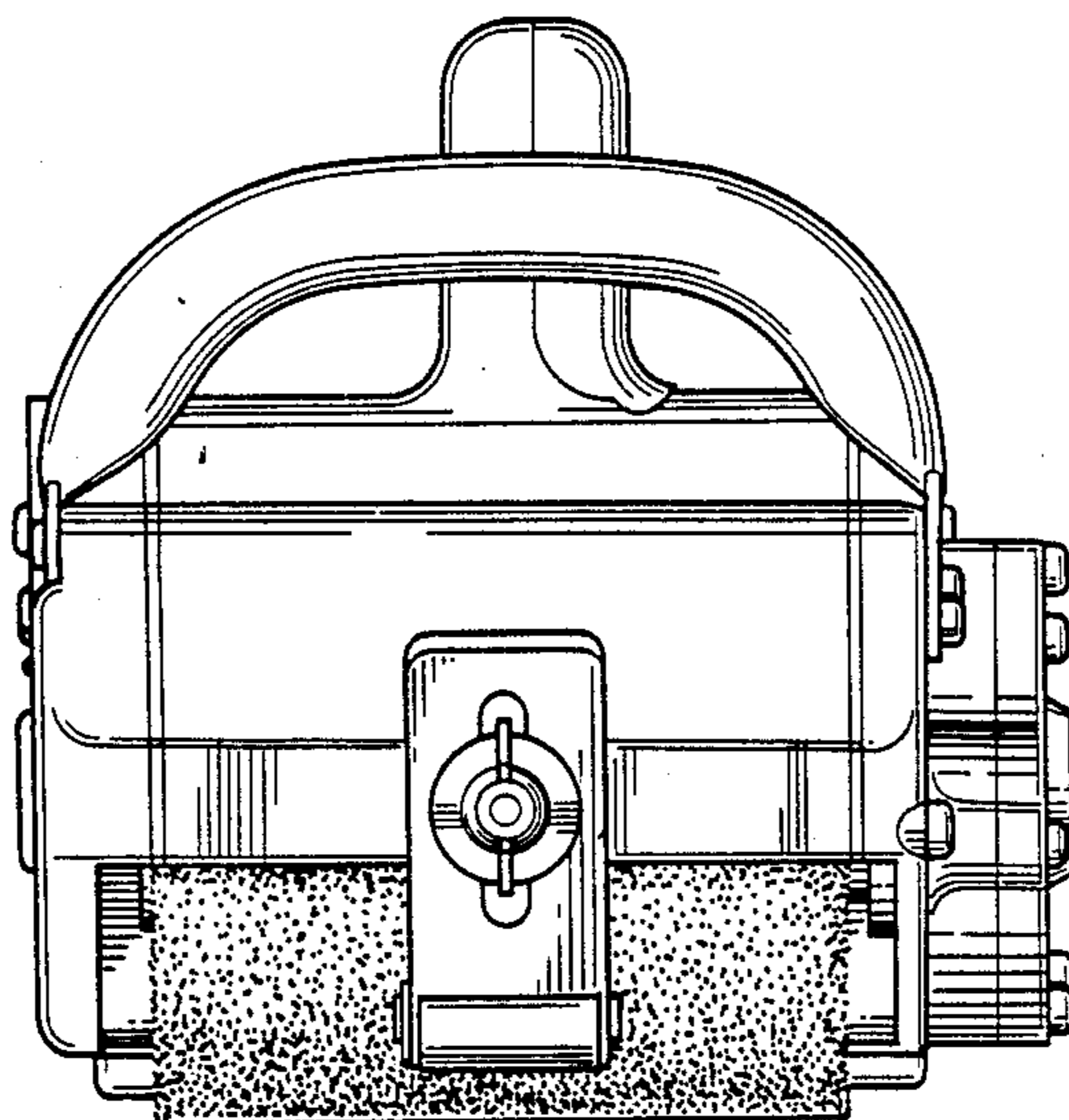


FIG. 7

