

[54] **SOLDERING IRON WITH REMOVABLE CAP**

[75] Inventors: **Bryan D. Leech, Enniscorthy; John V. McNulty, Dublin; Alfred P. Oglesby, Springhill; John P. Oglesby, Shrute; Derek W. Butler, Carlow, all of Ireland**

[73] Assignee: **Olgesby & Butler Plc, Carlow, Ireland**

[**] Term: **14 Years**

[21] Appl. No.: **83,987**

[22] Filed: **Aug. 10, 1987**

[30] **Foreign Application Priority Data**

Feb. 9, 1987 [IE] Ireland 20/87
[52] U.S. Cl. **D8/30**
[58] Field of Search D8/14, 29.1, 30, 61;
219/242, 247, 229, 227, 259

[56] **References Cited**

U.S. PATENT DOCUMENTS

D. 240,189	6/1976	Fortune	D8/14
D. 271,372	11/1983	Fortune	D8/14
1,162,901	12/1915	Cantey	219/227
2,056,951	10/1936	Bohall et al.	219/227
2,365,467	12/1944	Hammerstein	219/242
2,562,791	7/1951	Imobersteg	219/229
3,032,637	5/1962	Wasserlein	219/227

Primary Examiner—Bruce W. Dunkins
Assistant Examiner—Clare E. Heflin
Attorney, Agent, or Firm—Sughrue, Mion, Zinn, Macpeak & Seas

[57] **CLAIM**

The ornamental design for a soldering iron with removable cap, as shown and described.

DESCRIPTION

FIG. 1 is a one end perspective view of the soldering iron with removable cap showing our new design; FIG. 2 is an opposite end perspective view thereof; FIG. 3 is a side elevational view thereof; FIG. 4 is an end elevational view thereof; FIG. 5 is an opposite end elevational view thereof; FIG. 6 is a one side and one end perspective view of the soldering iron with removable cap showing the iron portion of our new design, the cap being omitted for clarity of disclosure only; FIG. 7 is an opposite side perspective view thereof; FIG. 8 is a perspective view thereof similar of FIG. 7 but with the switch in an alternate position; FIG. 9 is an opposite end perspective view thereof; FIG. 10 is a side elevation view thereof; FIG. 11 is a one end perspective view of the cap portion thereof, the tool being omitted for clarity of disclosure only; FIG. 12 is an opposite end perspective view of the cap portion thereof, the tool being omitted for clarity of disclosure only.

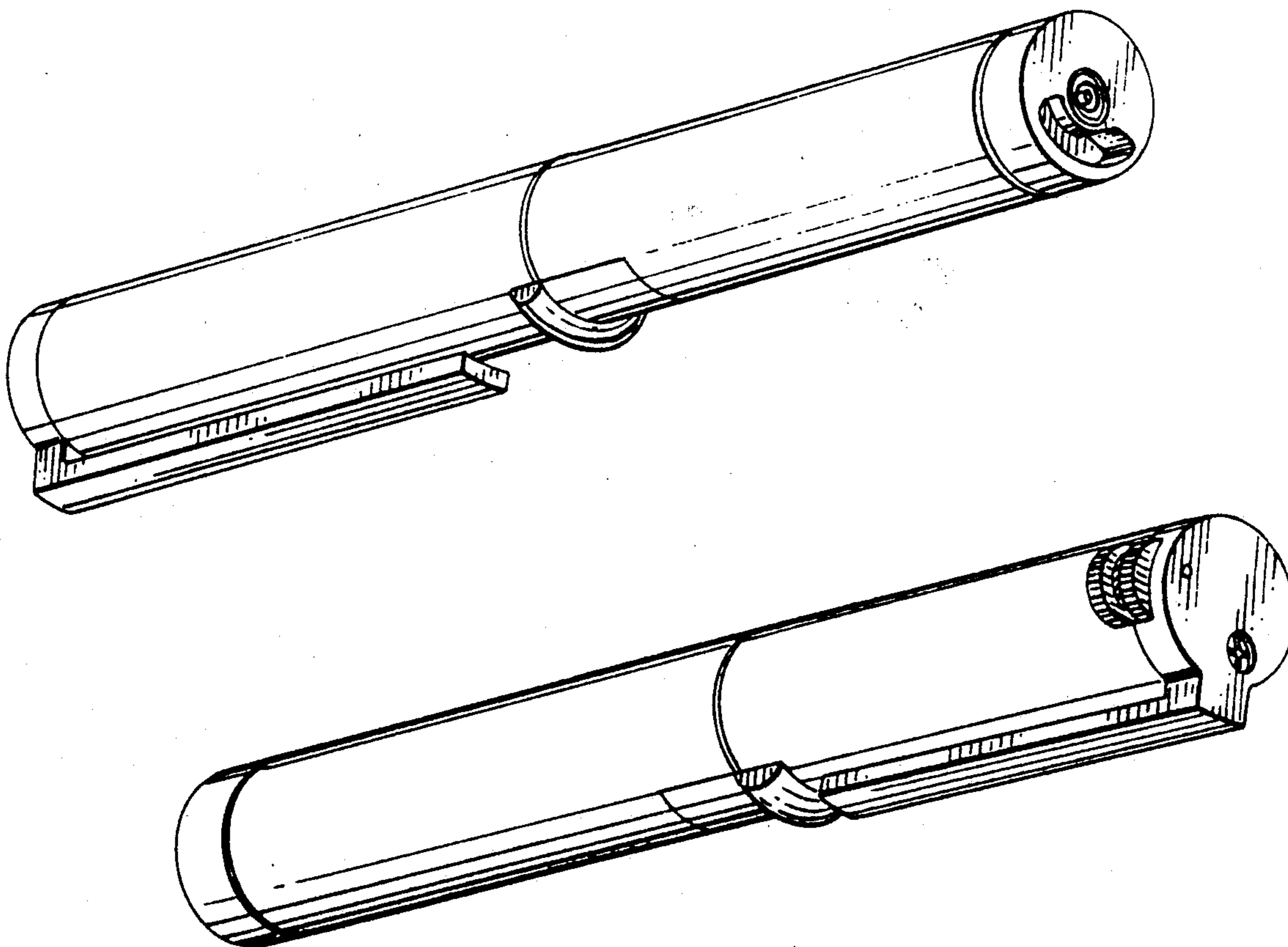


FIG. 1

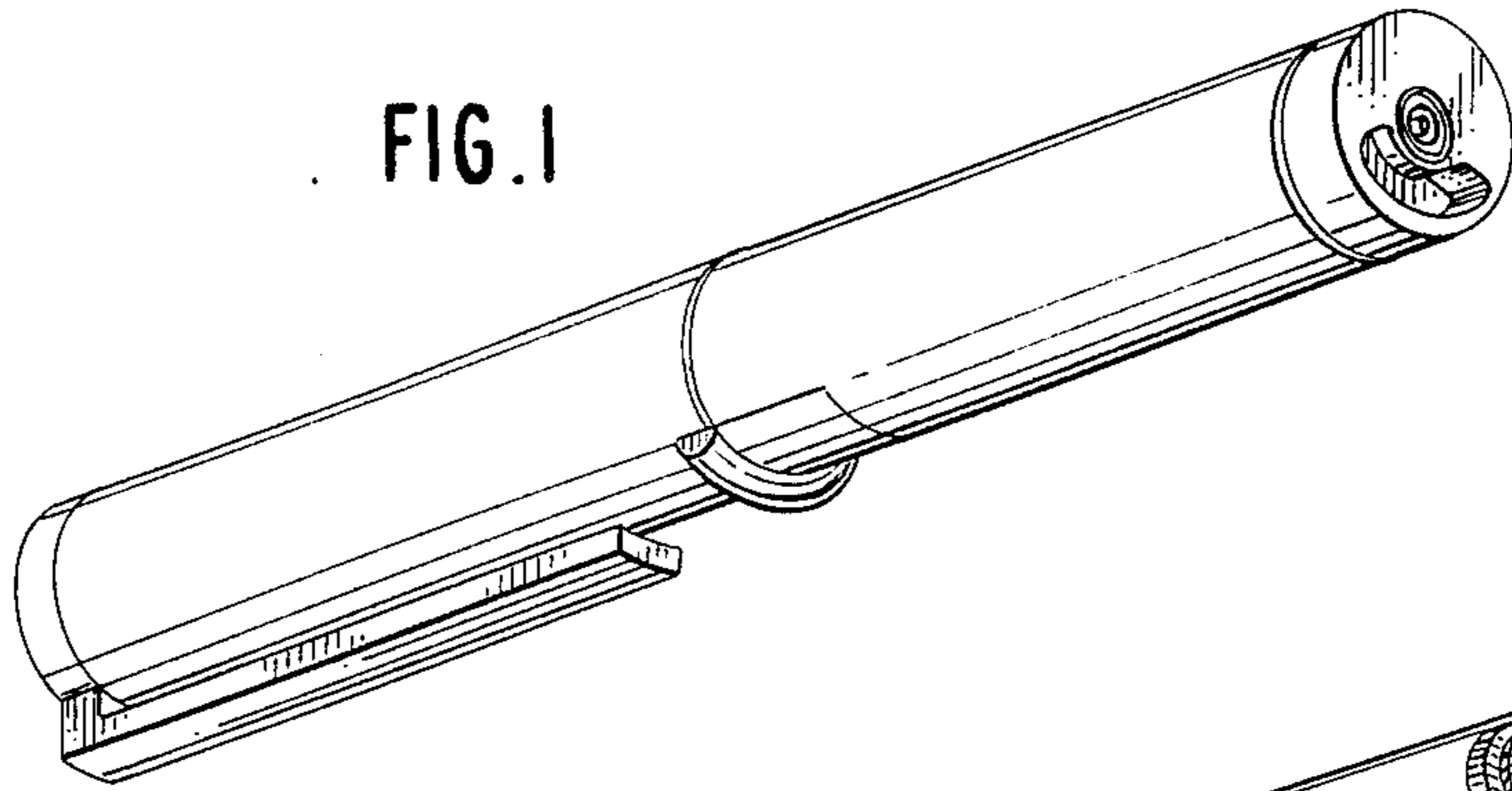


FIG. 2

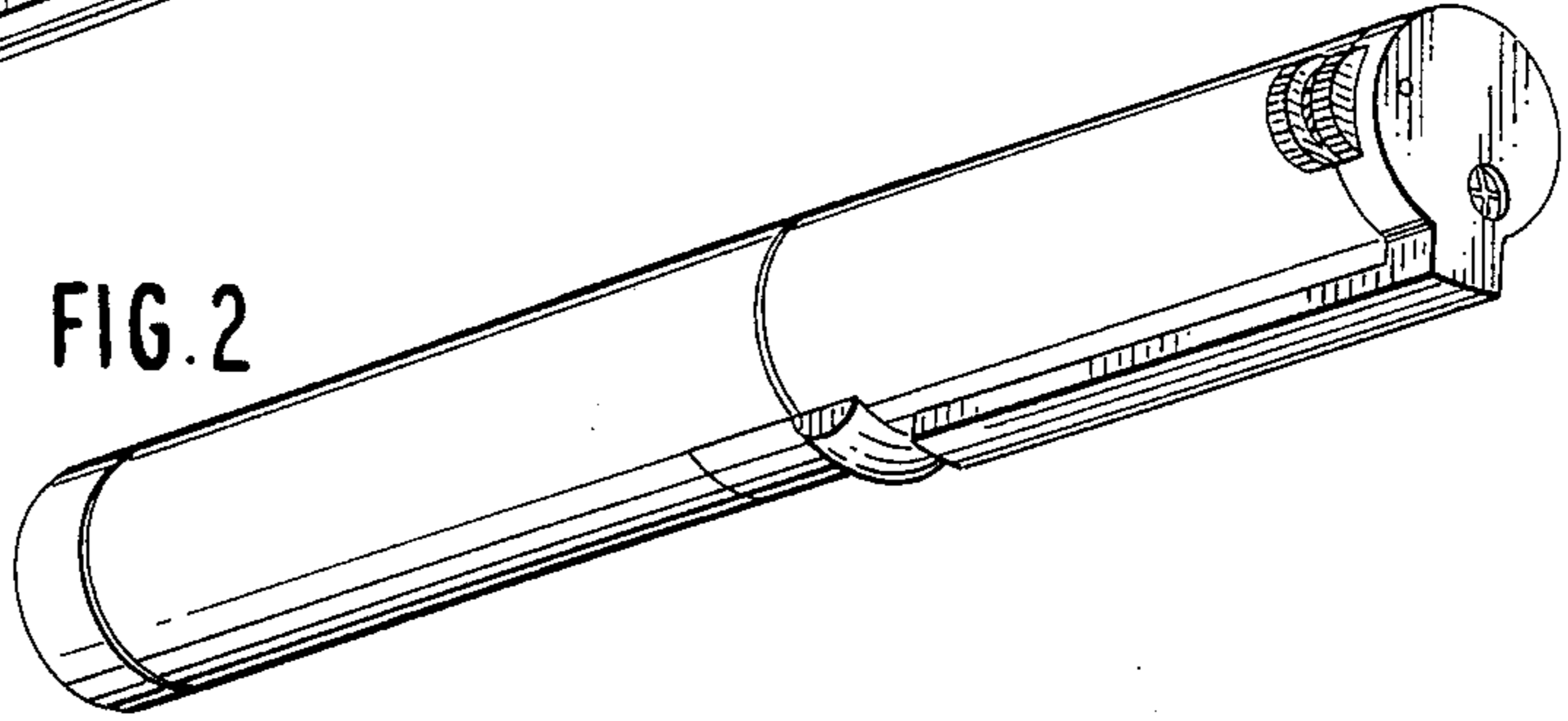


FIG. 4

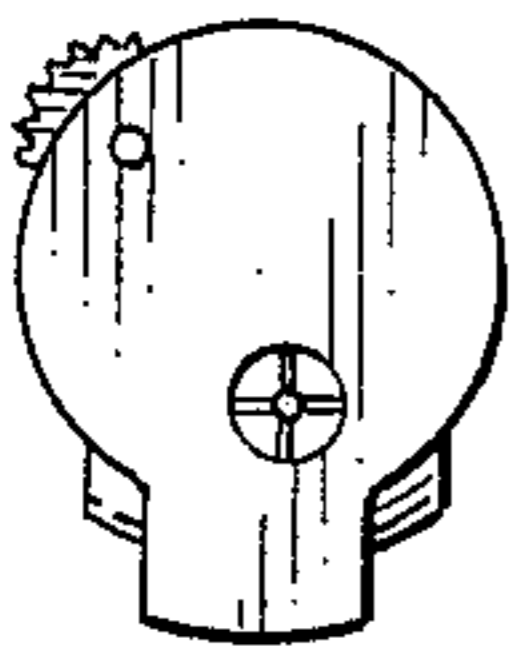


FIG. 3

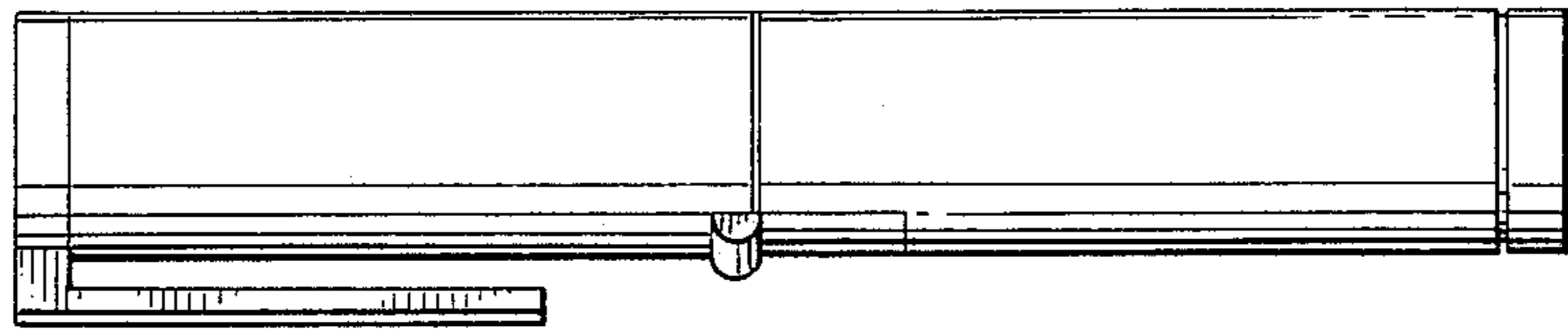


FIG. 5

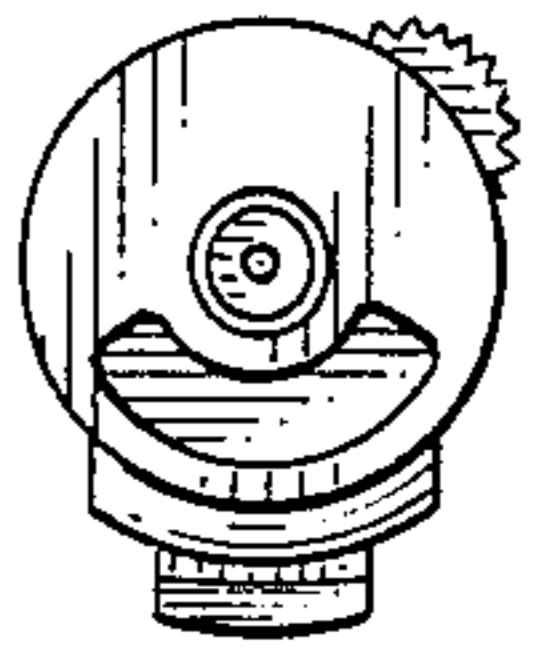


FIG. 6

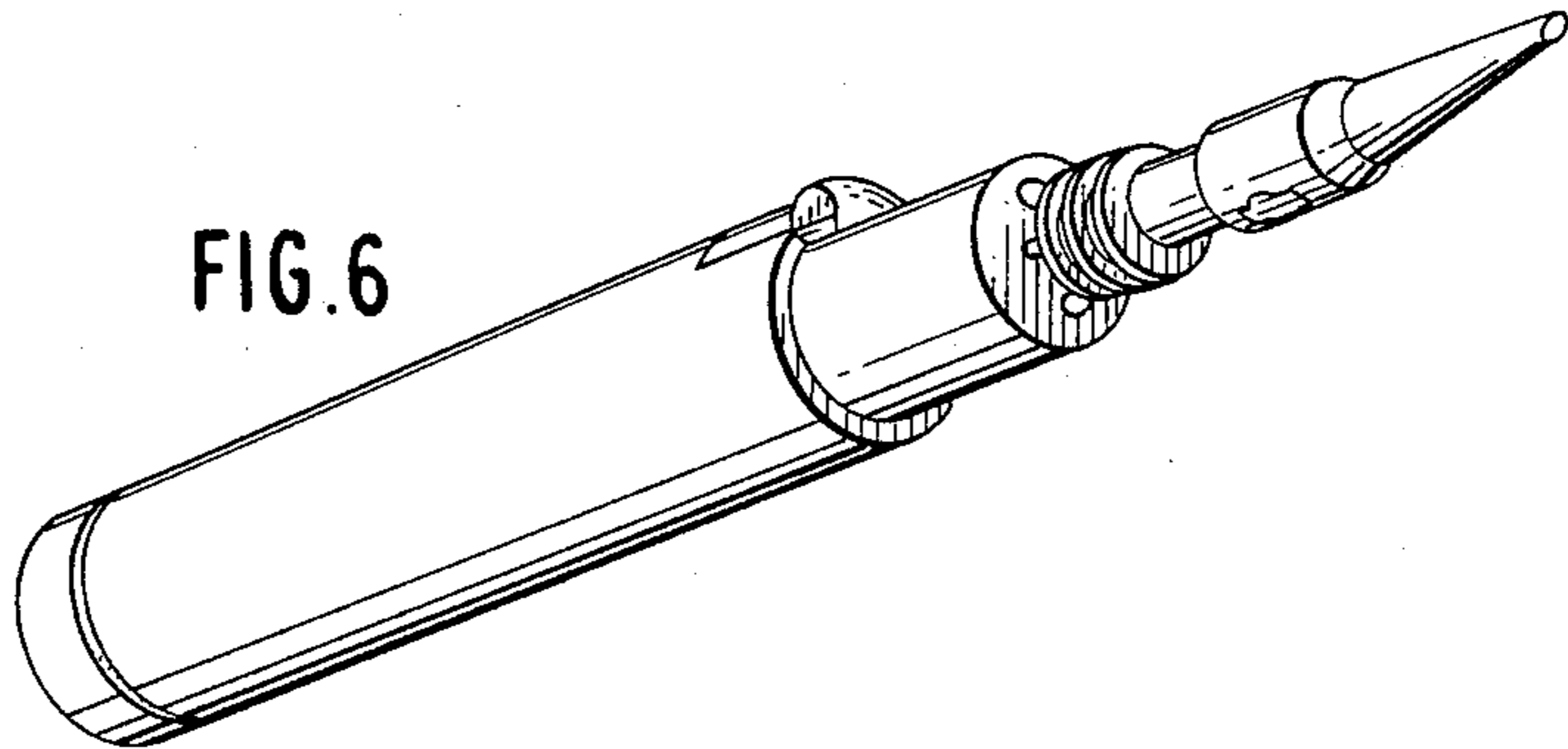


FIG. 7

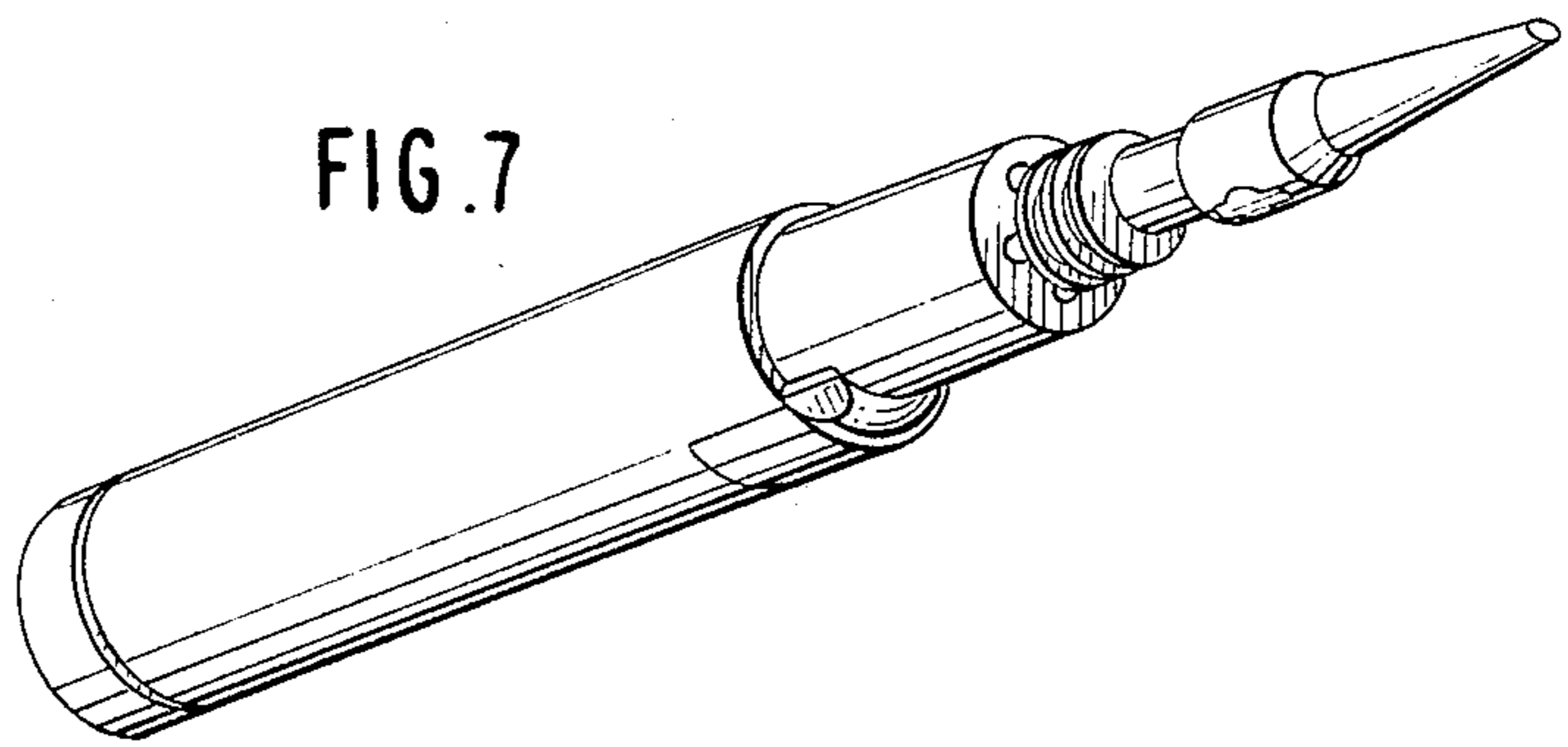


FIG. 8

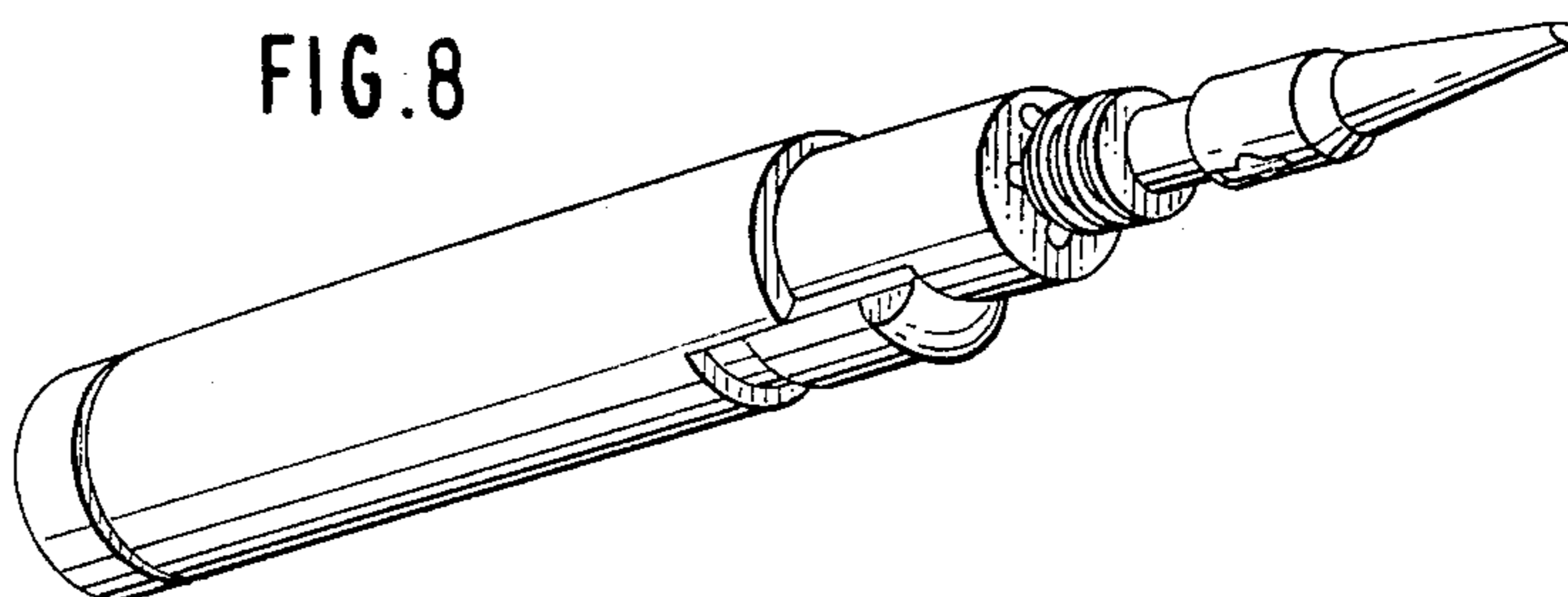


FIG. 9

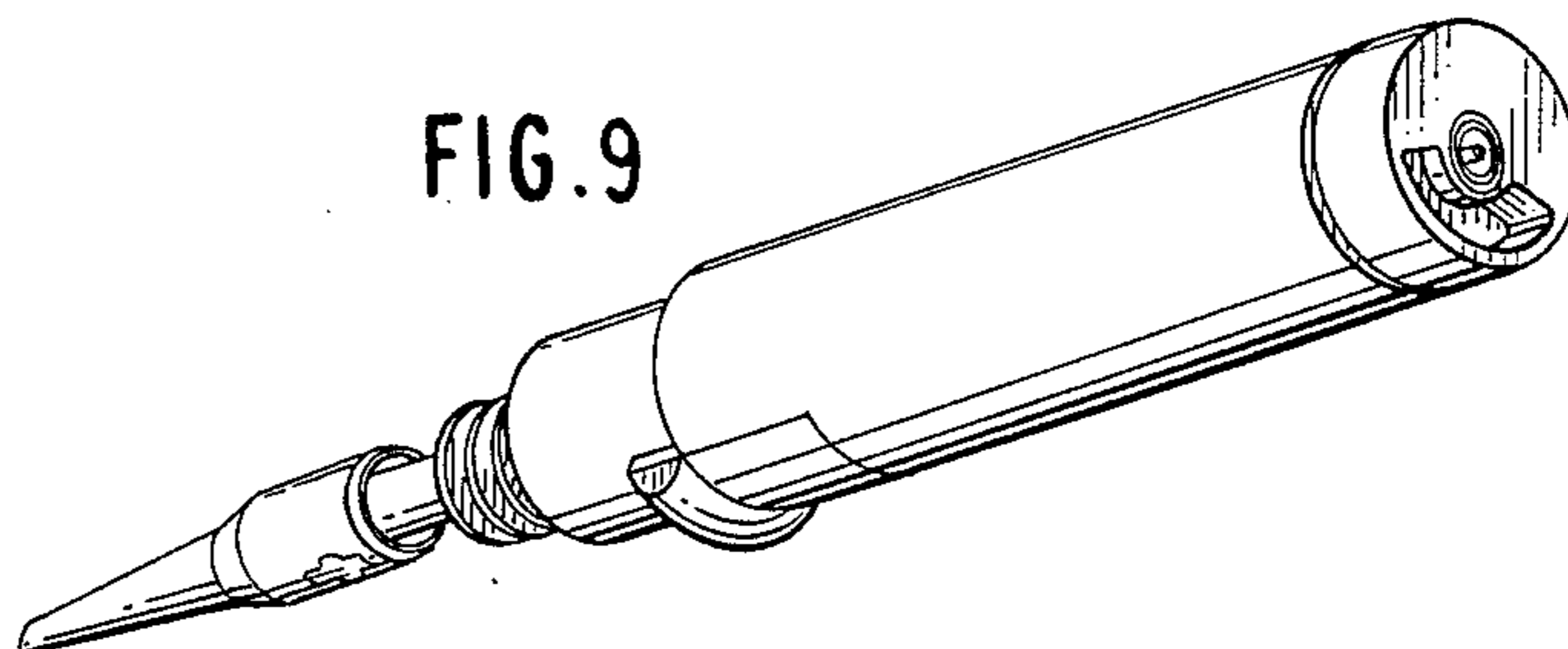


FIG. 10

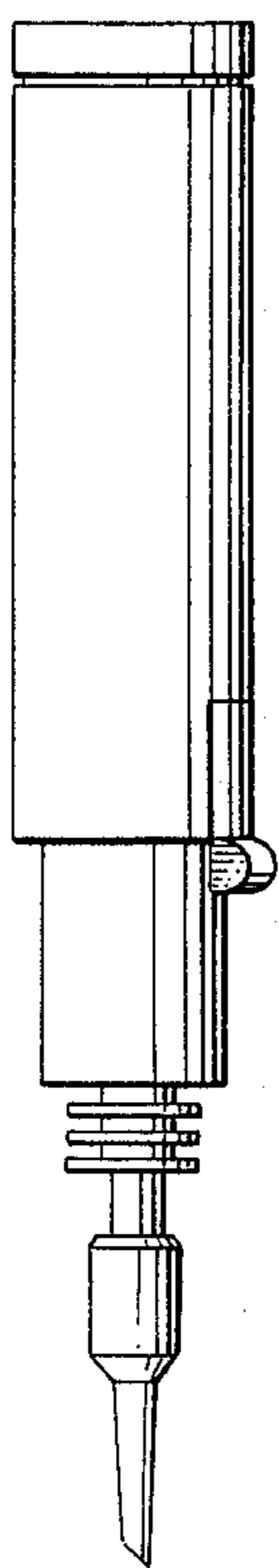


FIG. 11

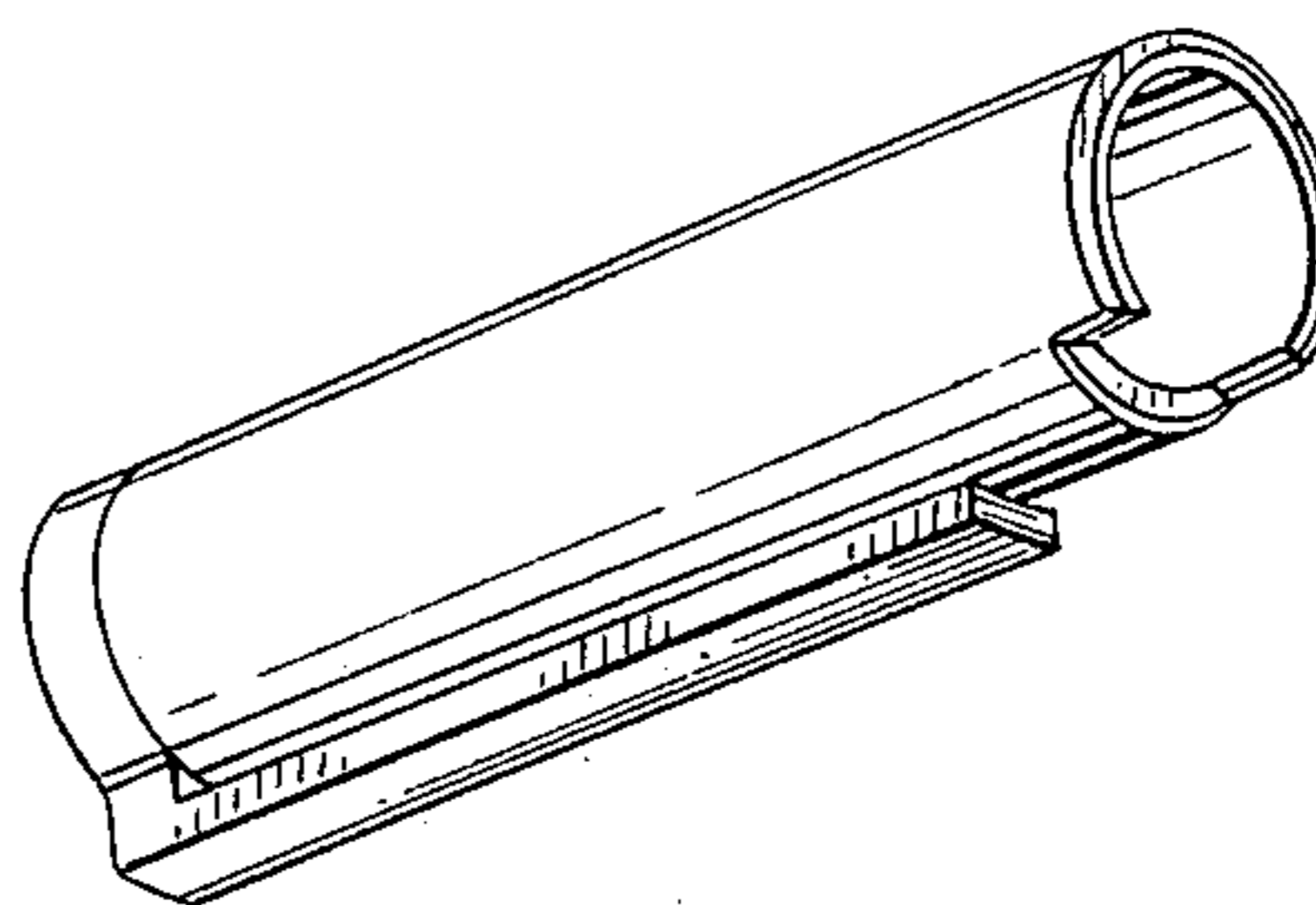


FIG. 12

