

[54] **SALT BLOCK CARRIER**

[76] **Inventor: Lowell C. Babcock, 22014 Anthony Rd., Marengo, Ill. 60152**

[\*\*] **Term: 14 Years**

[21] **Appl. No.: 869,946**

[22] **Filed: Jun. 2, 1986**

[52] **U.S. Cl. .... D8/14; D8/77**

[58] **Field of Search .... D8/14, 51, 71, 107; D3/30.1; 294/3, 15, 62, 17, 137, 903, 26, 2, 3.6**

[56] **References Cited**

**U.S. PATENT DOCUMENTS**

D. 141,742	7/1945	Podjus .....	D8/51
306,067	10/1884	Durning .....	294/19.1
1,460,730	7/1923	Phelps .....	294/62
4,112,541	9/1978	Tetradis .....	294/137

**FOREIGN PATENT DOCUMENTS**

99080	8/1924	Austria .....	294/2
753772	8/1980	U.S.S.R. ....	294/2
539531	9/1941	United Kingdom .....	294/19.1

*Primary Examiner*—Nelson C. Holtje  
*Assistant Examiner*—Clare E. Heflin  
*Attorney, Agent, or Firm*—Mathew R. P. Perrone, Jr.

[57] **CLAIM**

The ornamental design for a salt block carrier, as shown and described.

**DESCRIPTION**

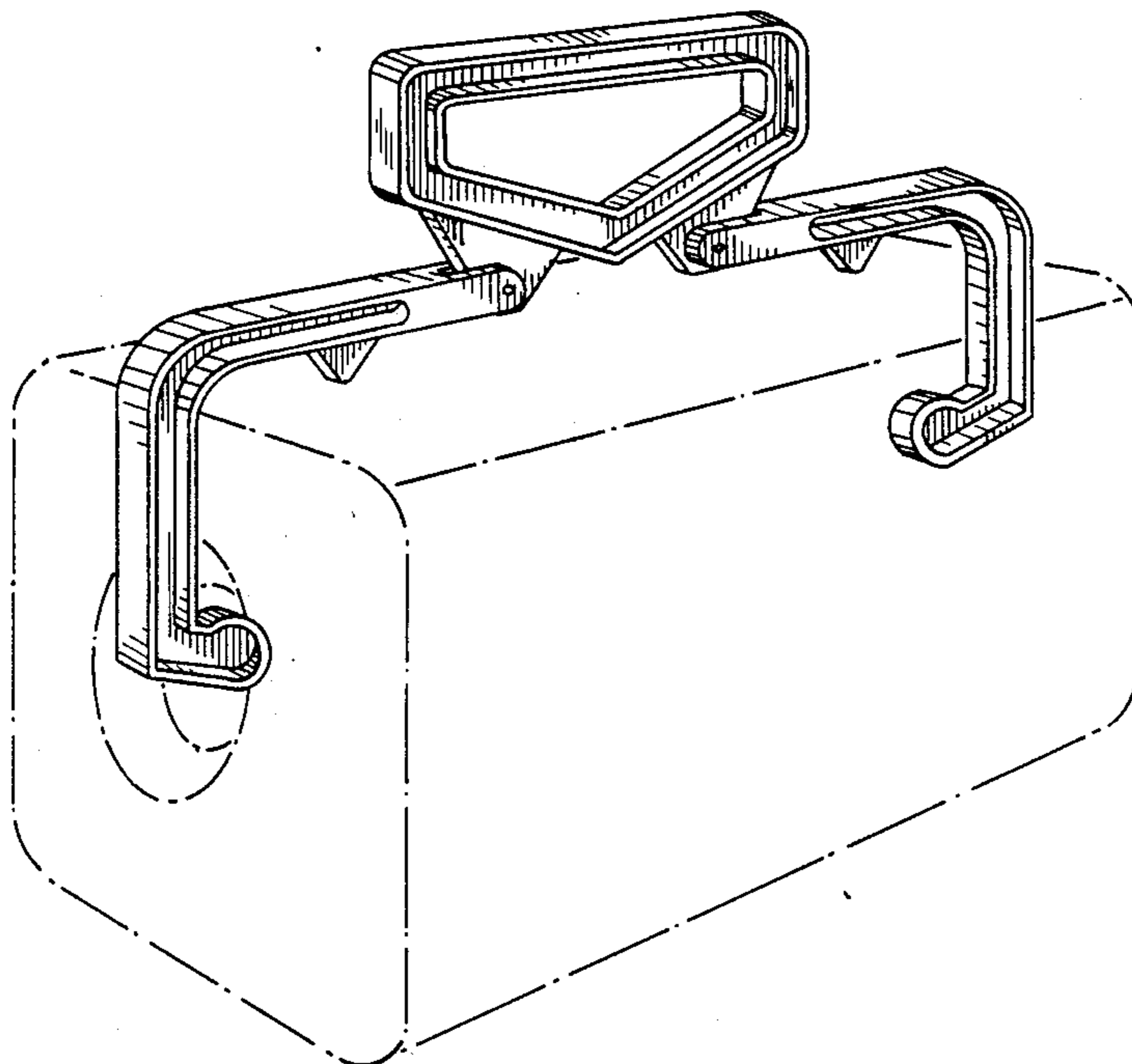
FIG. 1 is a perspective view of the salt block carrier showing my new design, the salt block being shown in broken lines for illustrative purposes only.

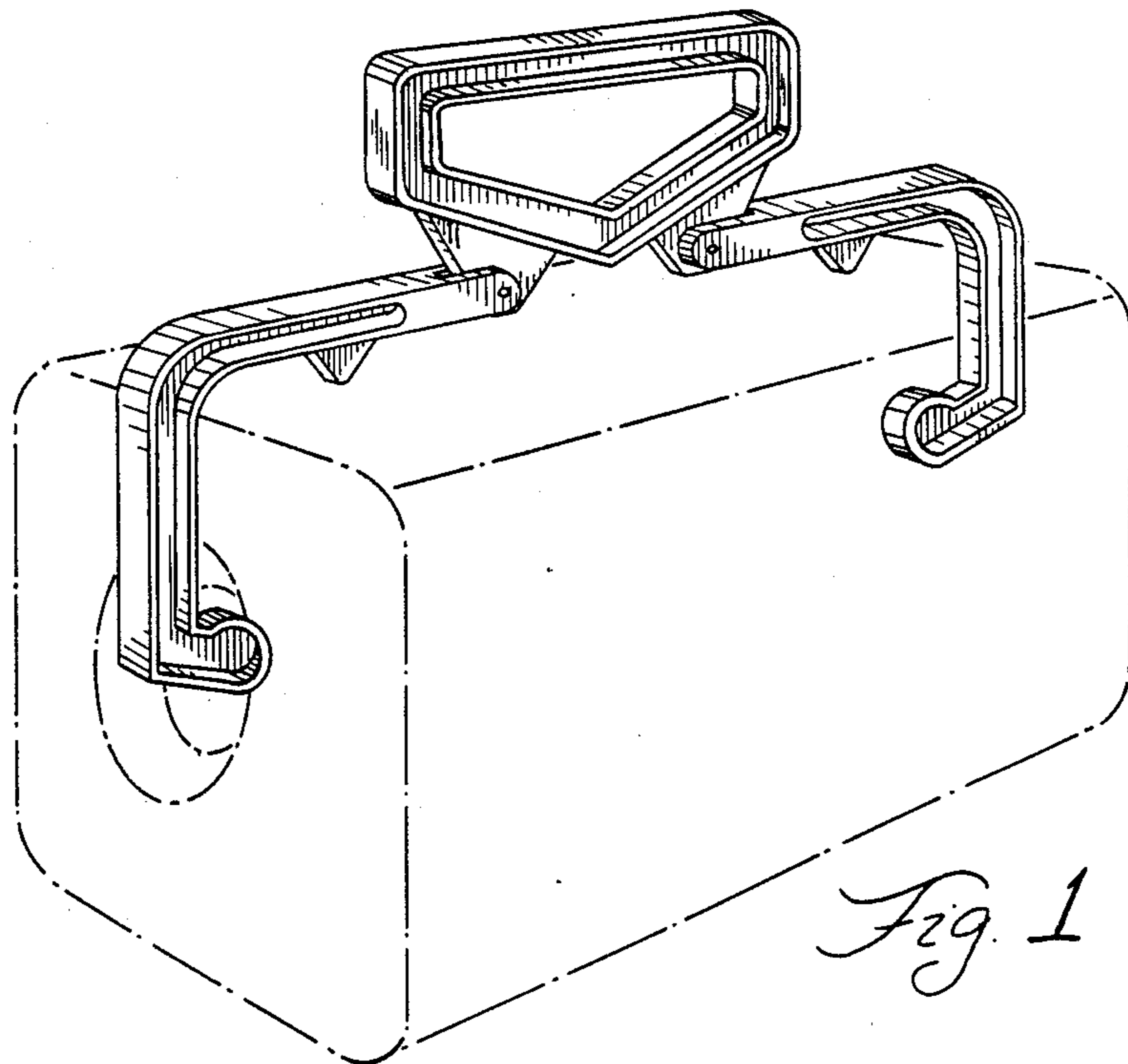
FIG. 2 is a front elevational view thereof, the rear view being a mirror image.

FIG. 3 is a side elevational view thereof, the opposite side being a mirror image.

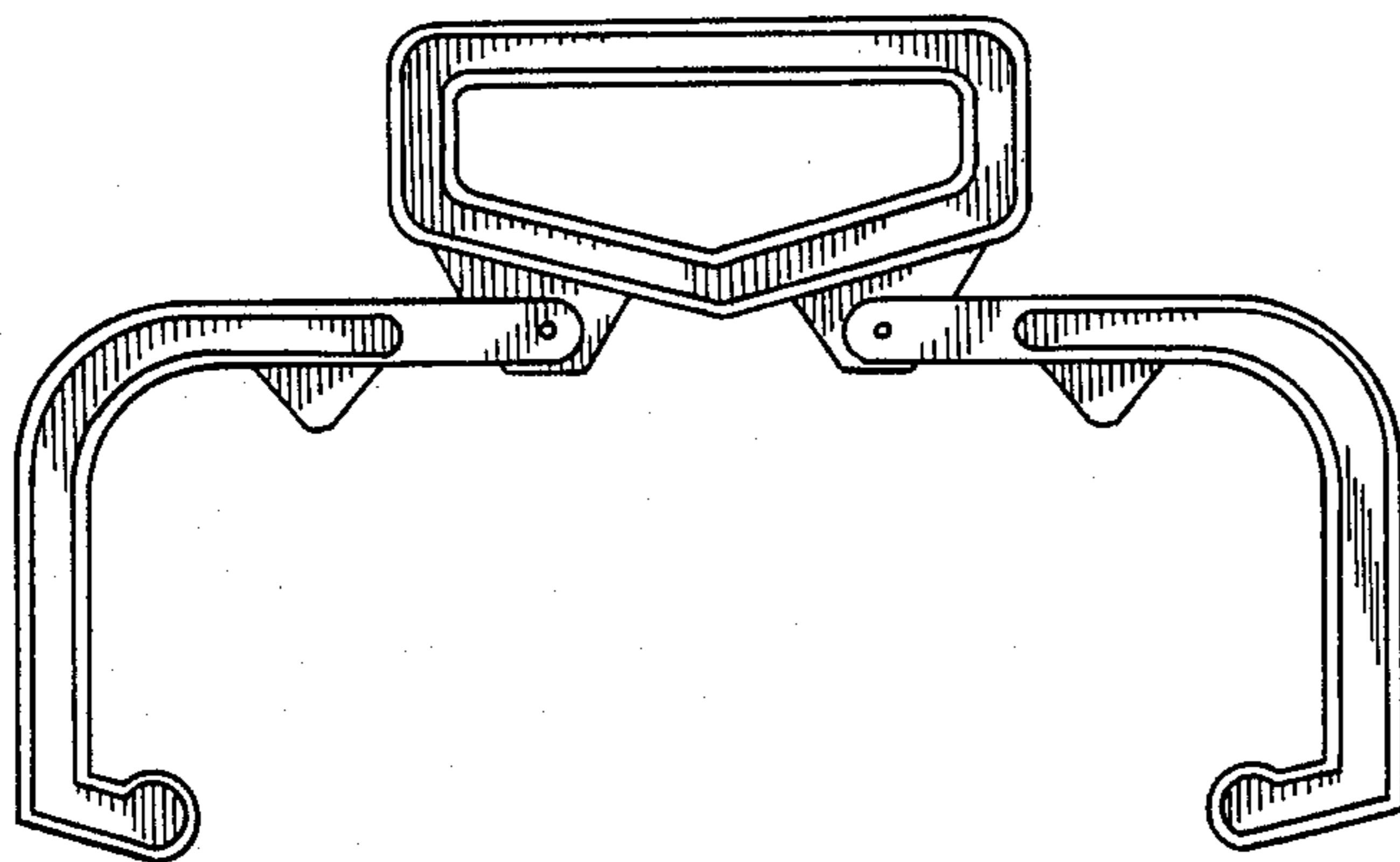
FIG. 4 is a top plan view thereof

FIG. 5 is a bottom plan view thereof.





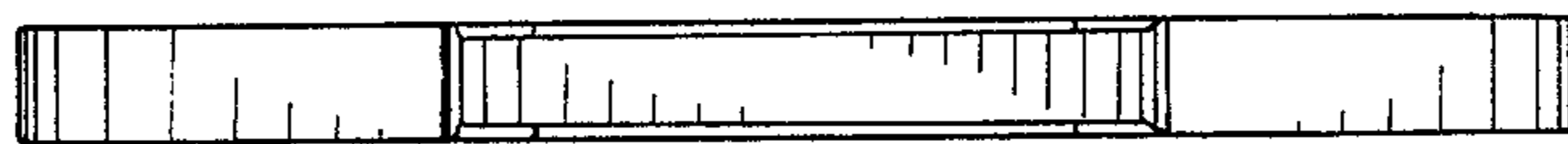
*Fig. 1*



*Fig. 2*



*Fig. 3*



*Fig. 4*



*Fig. 5*