

[54] BATTERING RAM

[76] Inventor: Wesley R. Ashcraft, 5132 Limerick Ave., San Diego, Calif. 92117

[**] Term: 14 Years

[21] Appl. No.: 864,943

[22] Filed: May 19, 1986

[52] U.S. Cl. D8/14; D8/75

[58] Field of Search D8/14, 75, 303; D21/222; 29/254, 255, 275; 89/47; 173/90, 126

[56] References Cited

U.S. PATENT DOCUMENTS

2,098,146	11/1937	Hunt	173/126
2,225,765	12/1940	Brice	173/126
2,998,087	8/1961	Iddings	173/126
4,681,171	7/1987	Kee et al.	173/90

FOREIGN PATENT DOCUMENTS

206736	7/1955	Australia	173/90
--------	--------	-----------	--------

OTHER PUBLICATIONS

Brookstone's Fall 1980 Catalog, p. 19, Cushion-Grip Tape for Hand Tools/lower right.

Paul Associates' Catalog, p. 57, Handle #865/D8—Hardware Catalogs.

Primary Examiner—Bruce W. Dunkins

Assistant Examiner—Clare E. Heflin

Attorney, Agent, or Firm—Brown, Martin, Haller & McClain

[57] CLAIM

The ornamental design for a battering ram, as shown and described.

DESCRIPTION

FIG. 1 is a top front and one side perspective view of a battering ram showing a first embodiment of my new design;

FIG. 2 is a bottom plan view thereof;

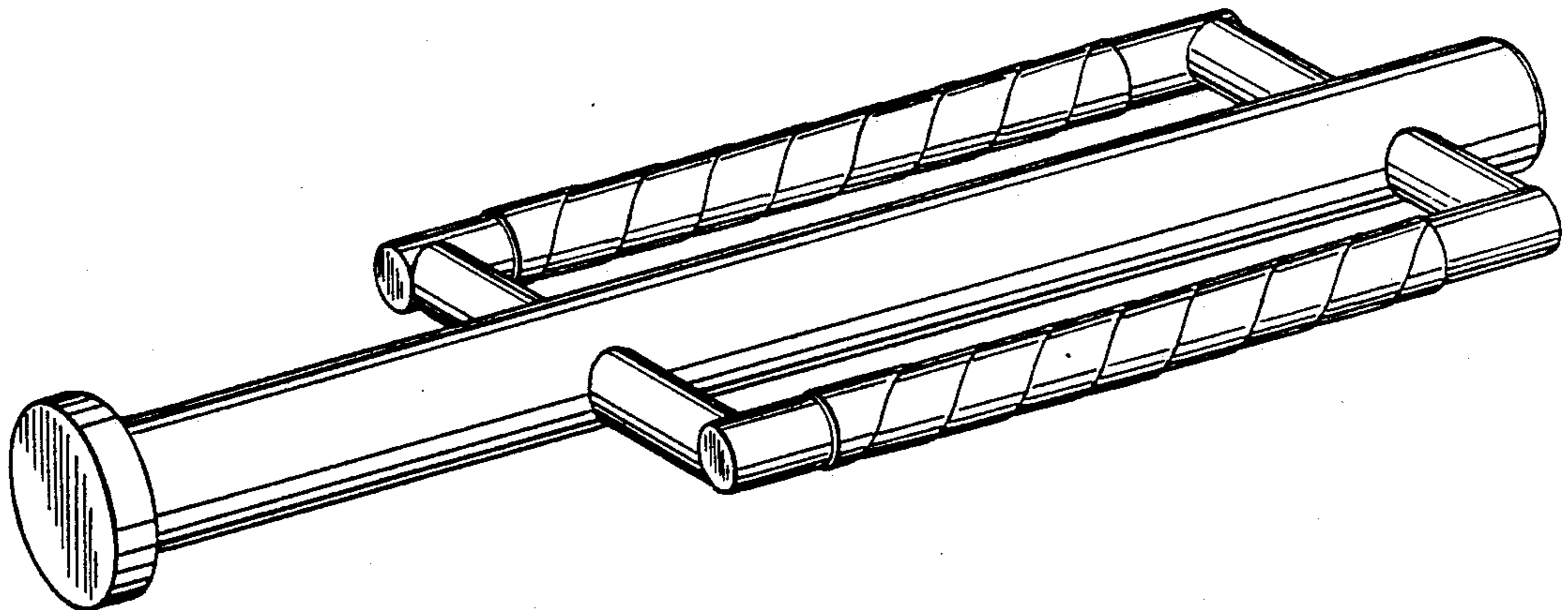
FIG. 3 is an opposite side elevational view thereof;

FIG. 4 is a rear elevational view thereof;

FIG. 5 is a top, front and one side perspective view of a battering ram showing a second embodiment of my new design;

FIG. 6 is a bottom plan view thereof;

FIG. 7 is a rear elevational view thereof.



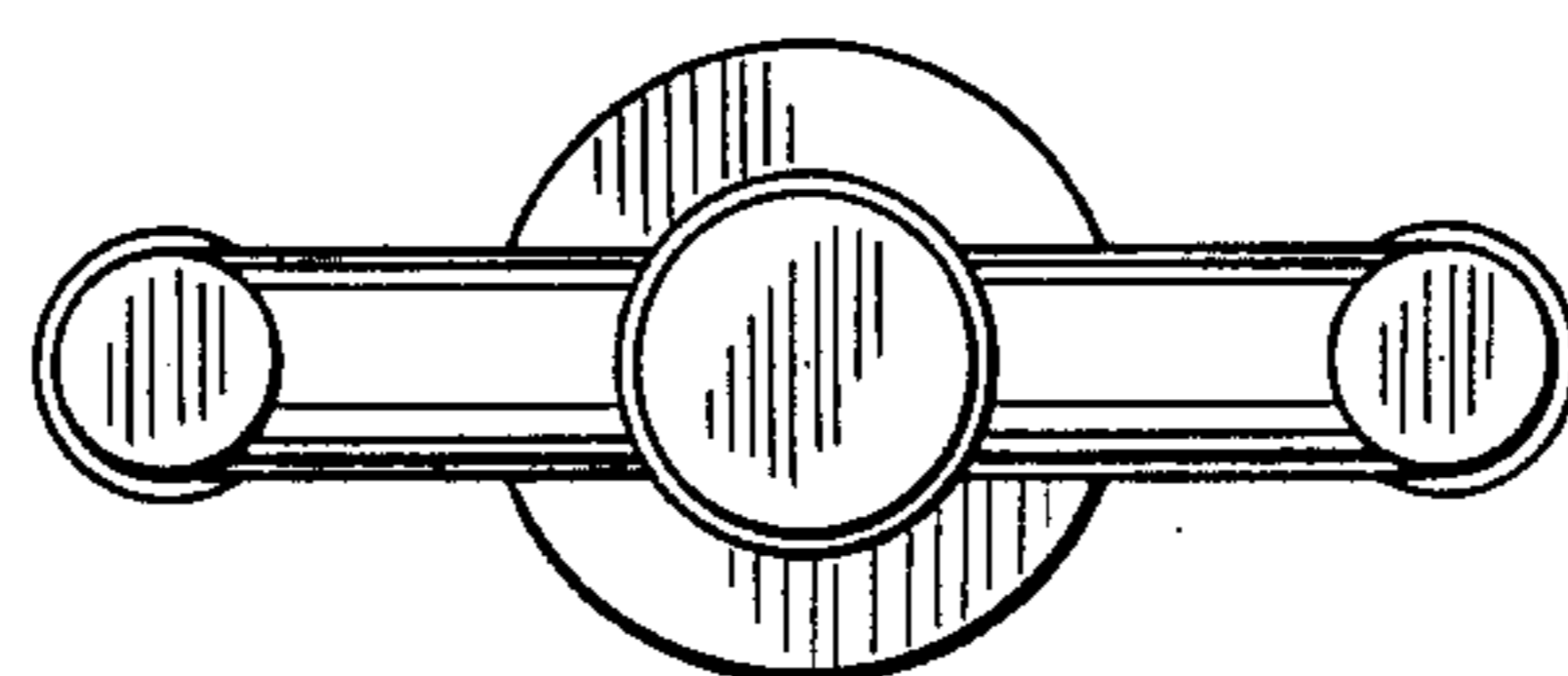
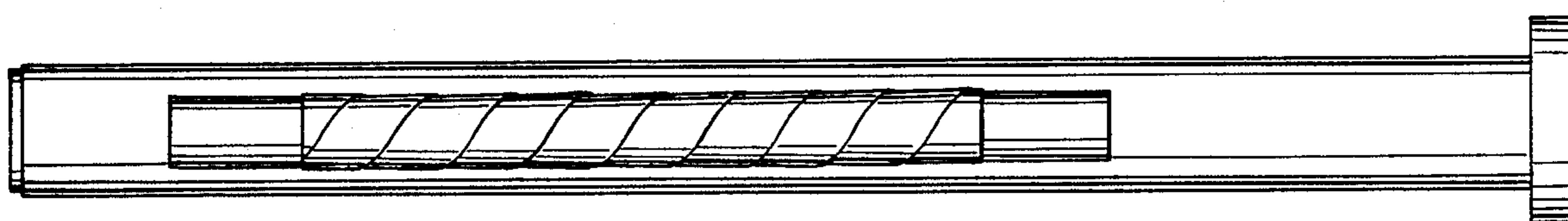
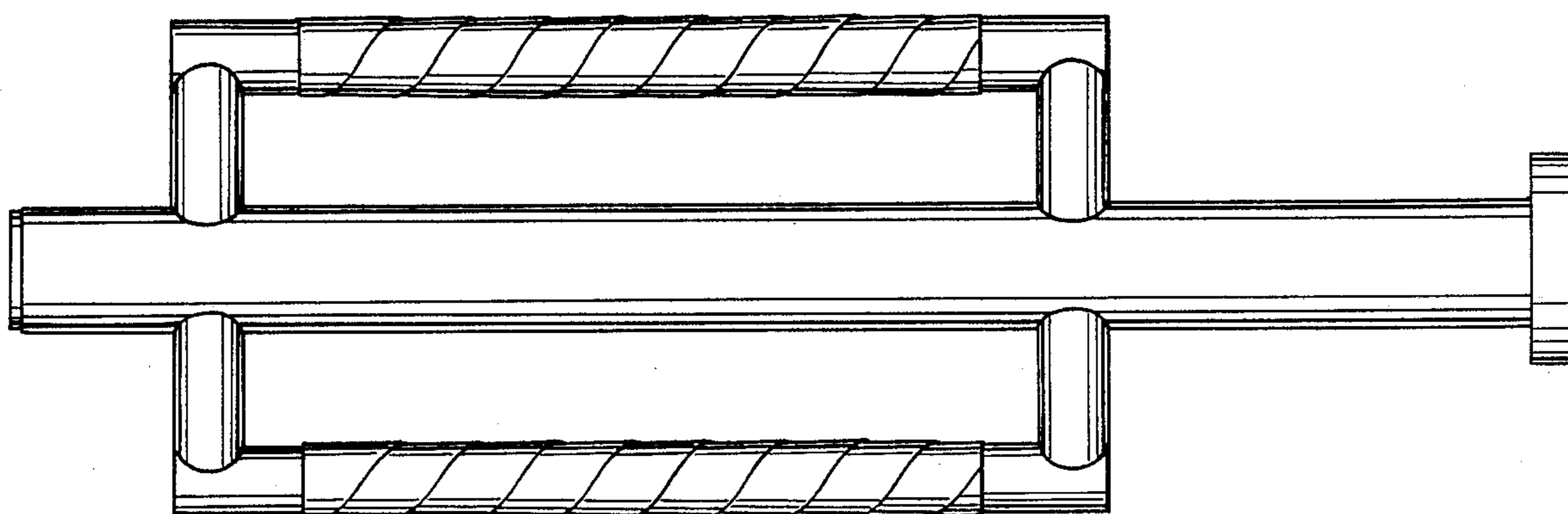
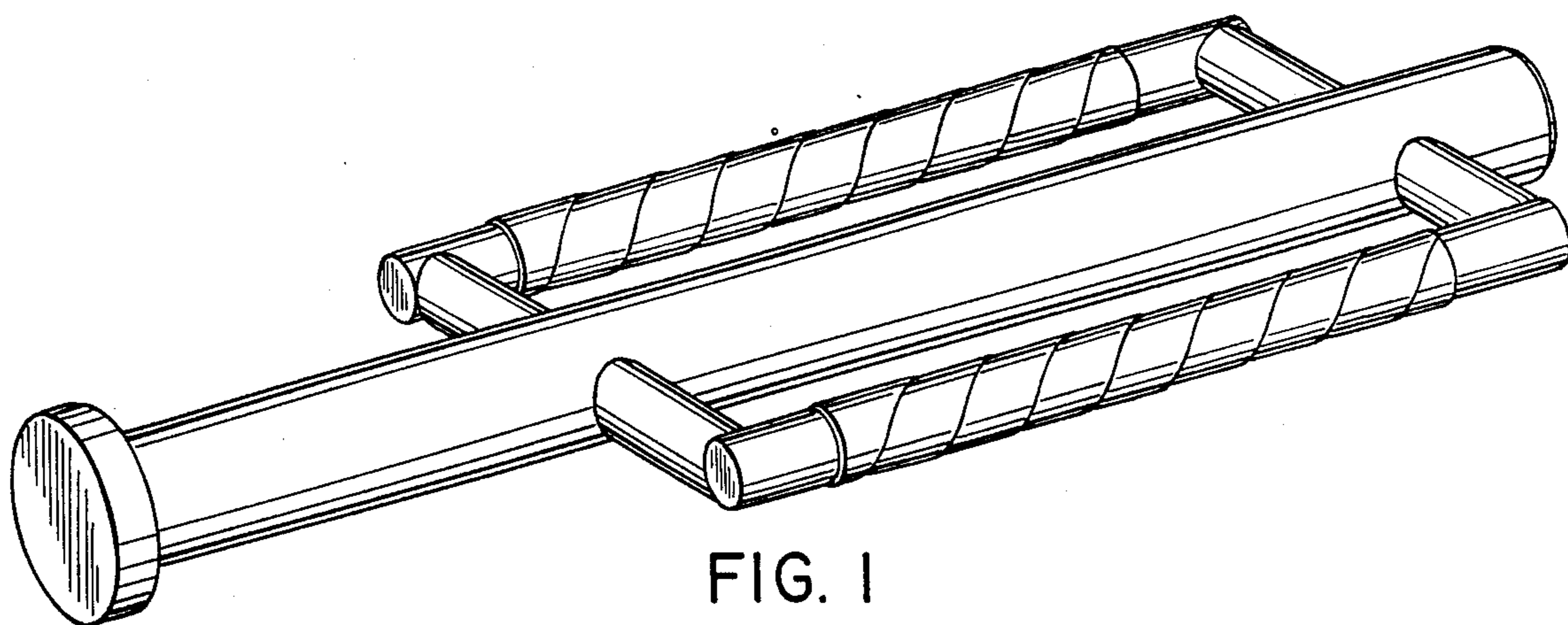


FIG. 4

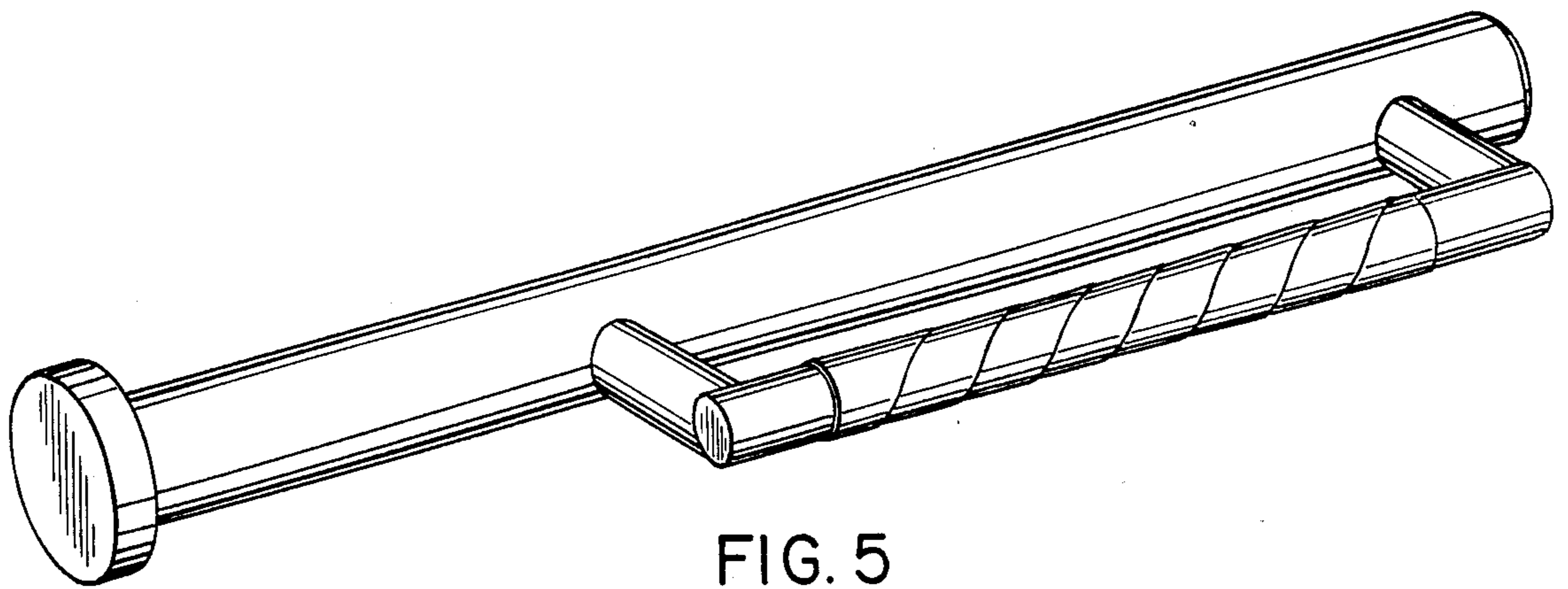


FIG. 5

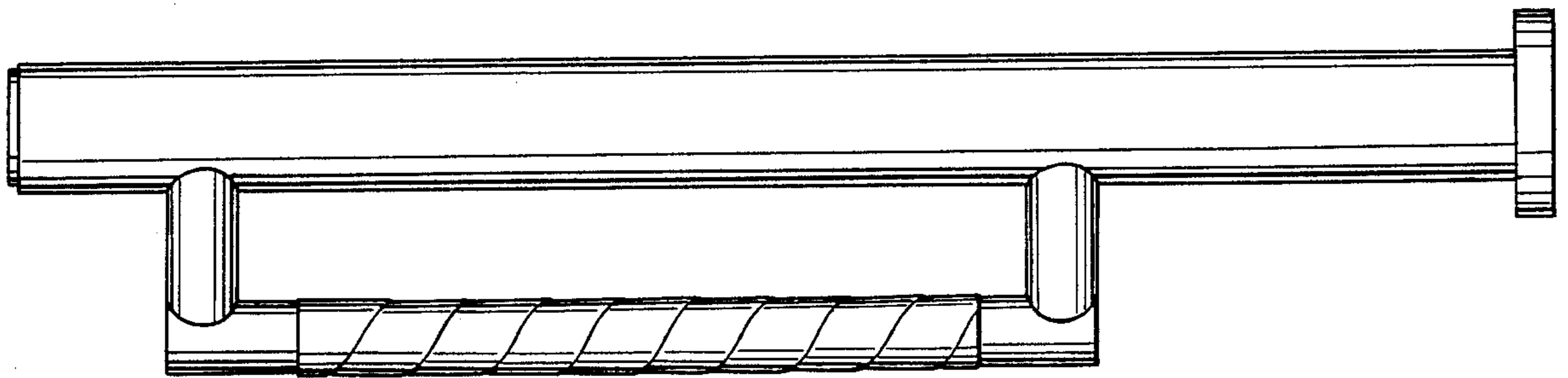


FIG. 6

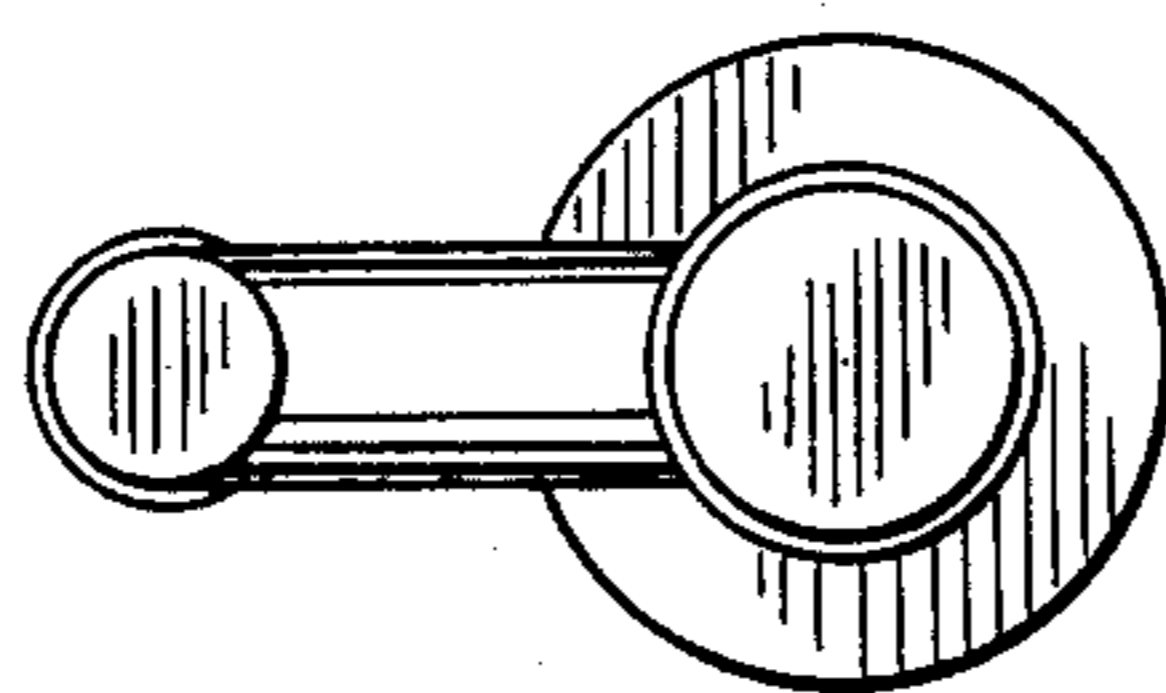


FIG. 7