

[54] PLANT STEM HOLDER

[57] CLAIM

[76] Inventor: Serkai Ghafoorzai, 4031 Park Center, Apartment A, Fremont, Calif. 94538

The ornamental design for a plant stem holder, as shown and described.

[**] Term: 14 Years

DESCRIPTION

[21] Appl. No.: 79,916

FIG. 1 is a perspective view of a plant stem holder showing my new design;

[22] Filed: Jul. 31, 1987

FIG. 2 is an enlarged perspective view of the base portion thereof;

[52] U.S. Cl. D8/1

FIG. 3 is an enlarged side elevational view of the base portion thereof, the adjacent sides being substantially similar in appearance;

[58] Field of Search D8/1, 71-72; 47/39, 42, 44

FIG. 4 is an enlarged top plan view of the base portion thereof;

[56] References Cited

U.S. PATENT DOCUMENTS

- 4,480,403 11/1984 Williams 47/42
- 4,658,737 4/1987 Weissberg 47/42 X
- 4,699,347 10/1987 Kuhnley 47/42 X

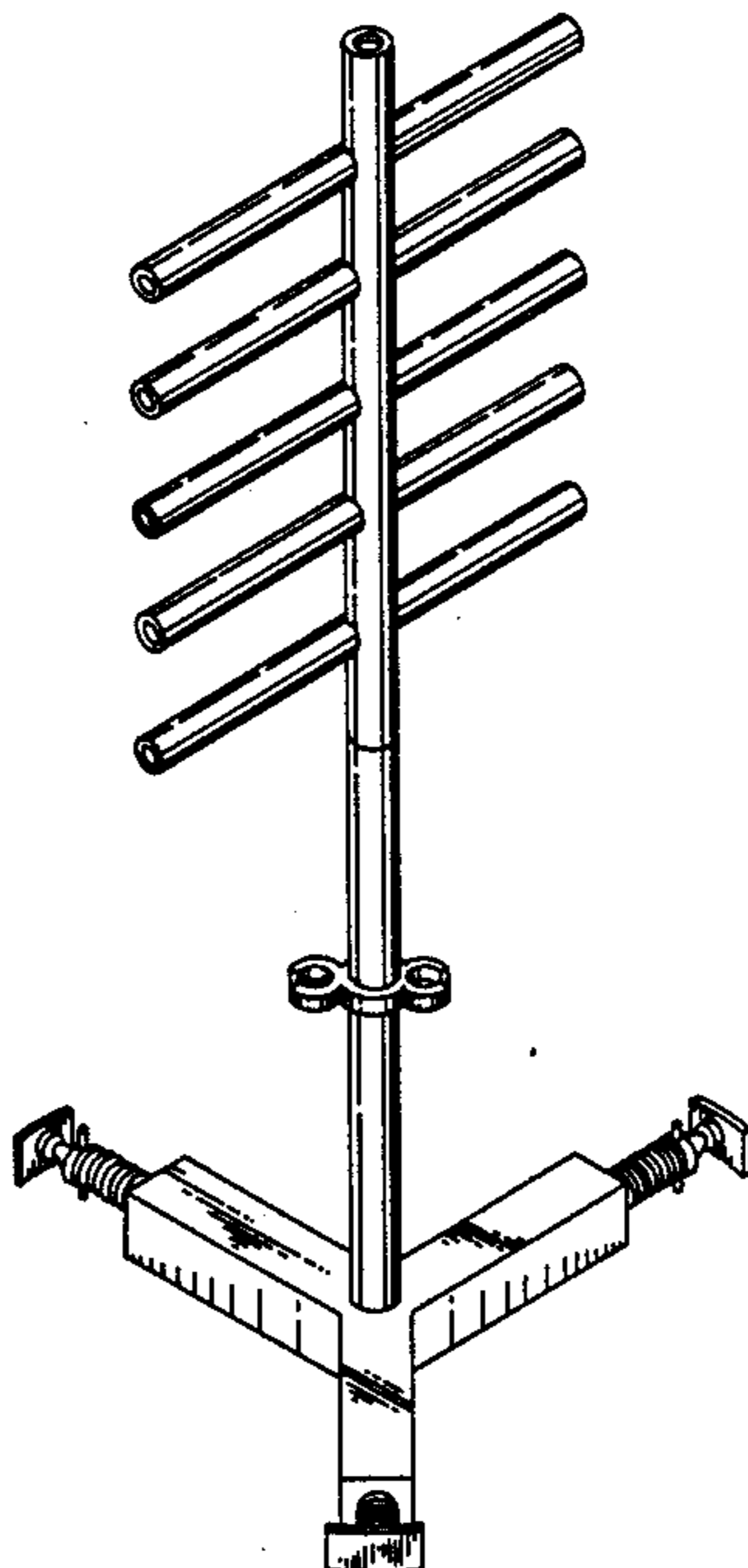
FIG. 5 is an enlarged bottom plan view of the base portion thereof;

FIG. 6 is an enlarged perspective view of the tree-rod portion thereof; and

FIG. 7 is an enlarged perspective view of one of the arms of the tree-rod portion thereof.

Primary Examiner—Susan J. Lucas
Assistant Examiner—Brian N. Vinson
Attorney, Agent, or Firm—Lewis A. Thaxton

The tree-rod portion has been omitted from FIGS. 1-5 and the base portion omitted from the remaining figures for clarity of illustration.



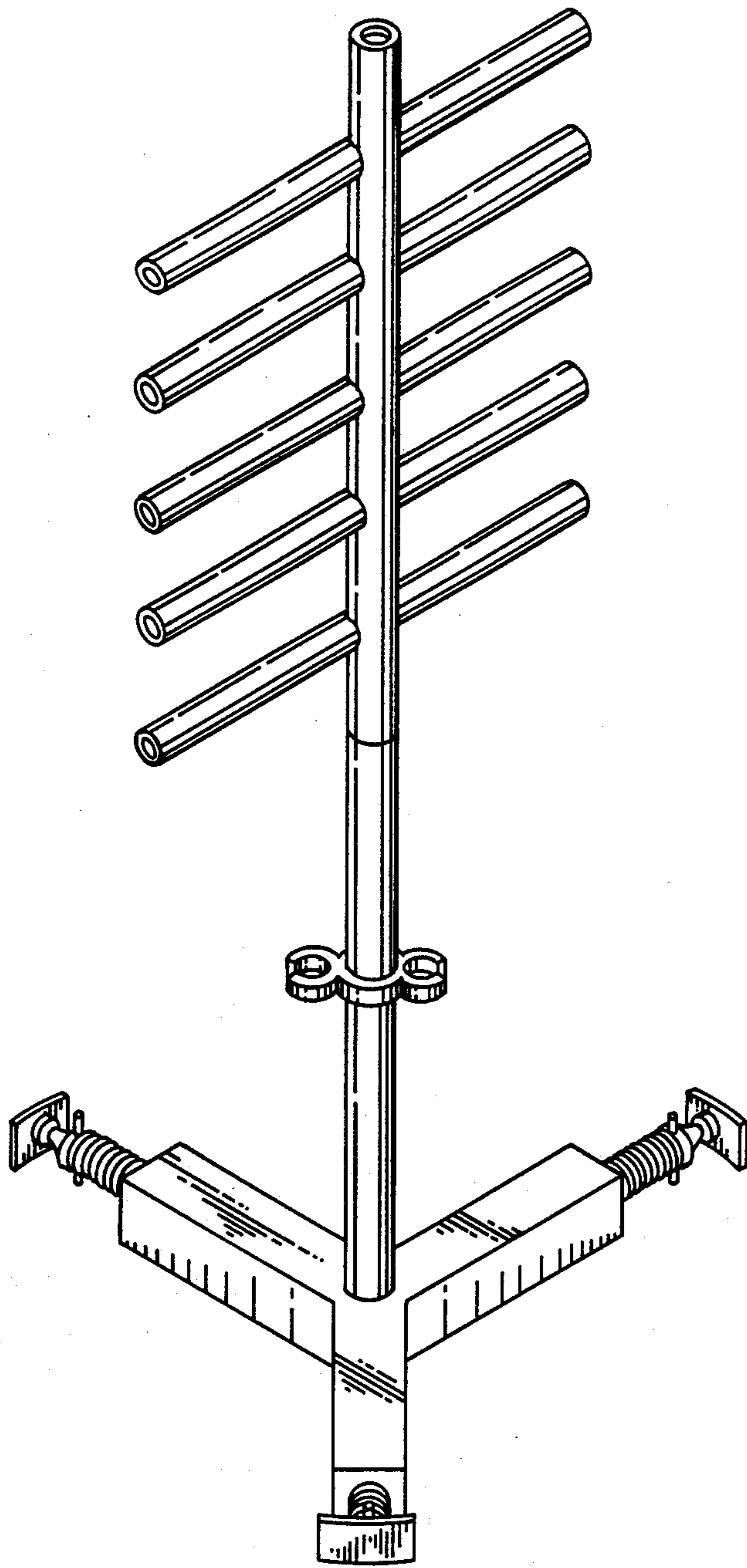


Fig. 1

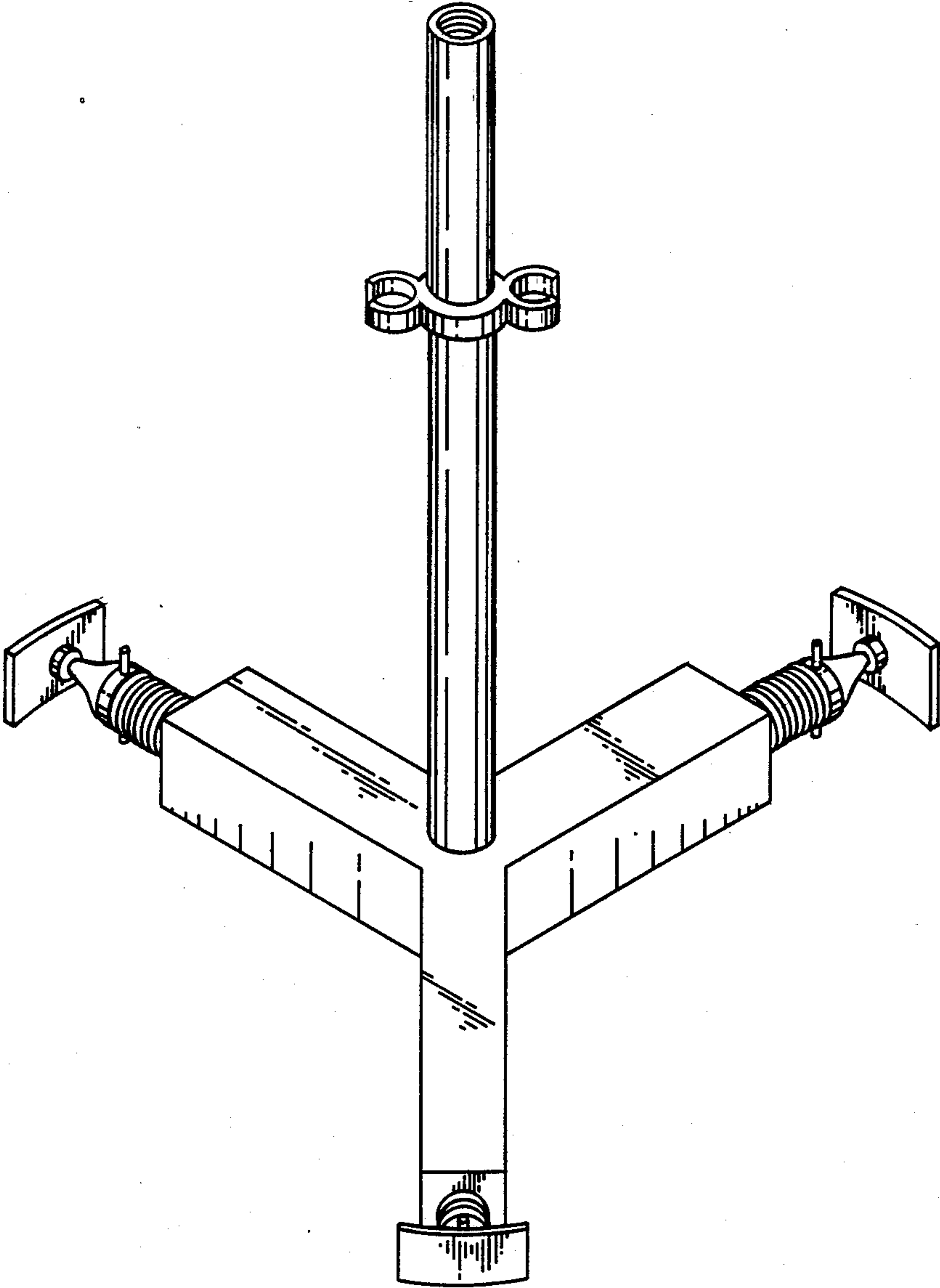


Fig. 2

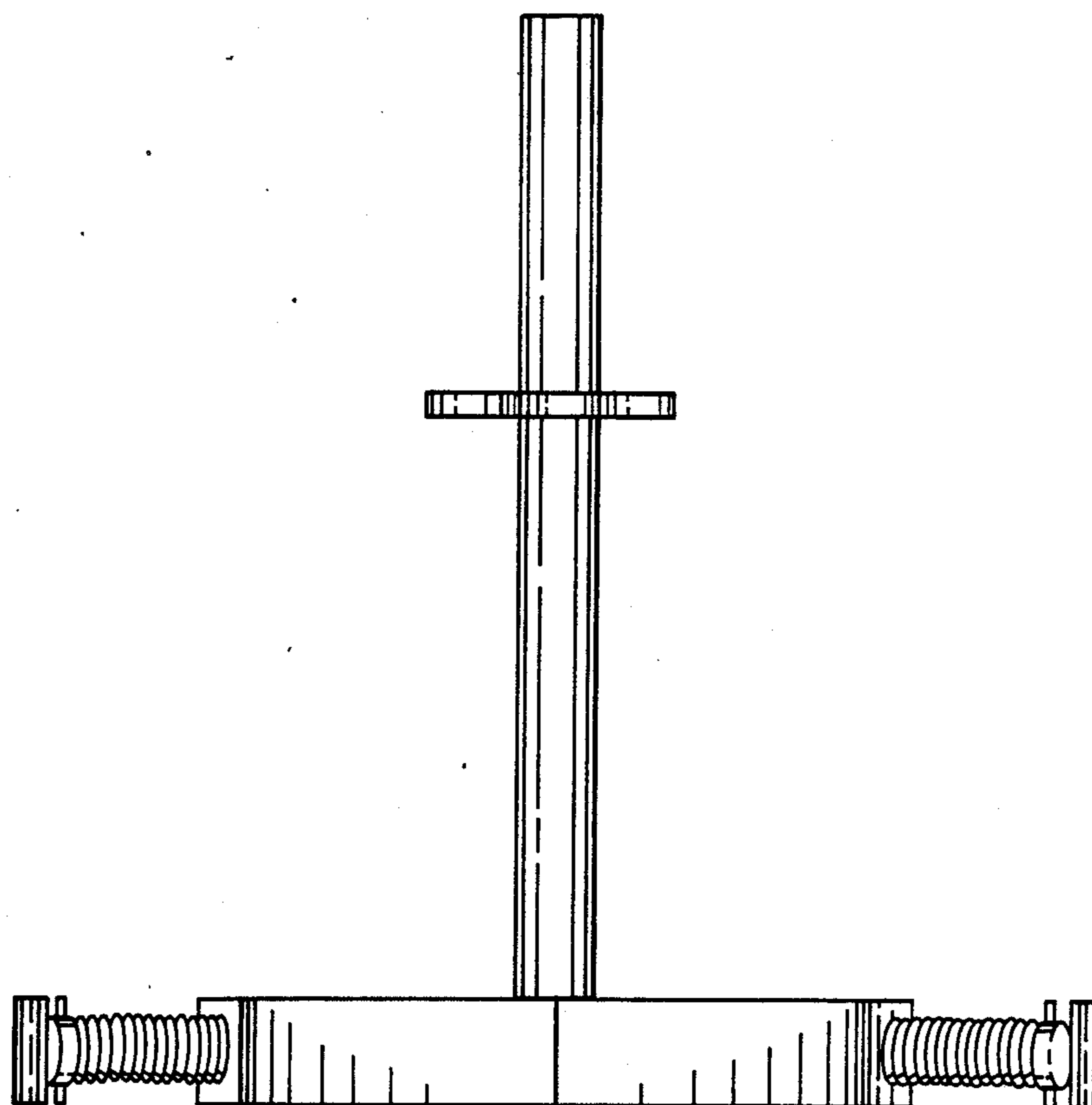


Fig. 3

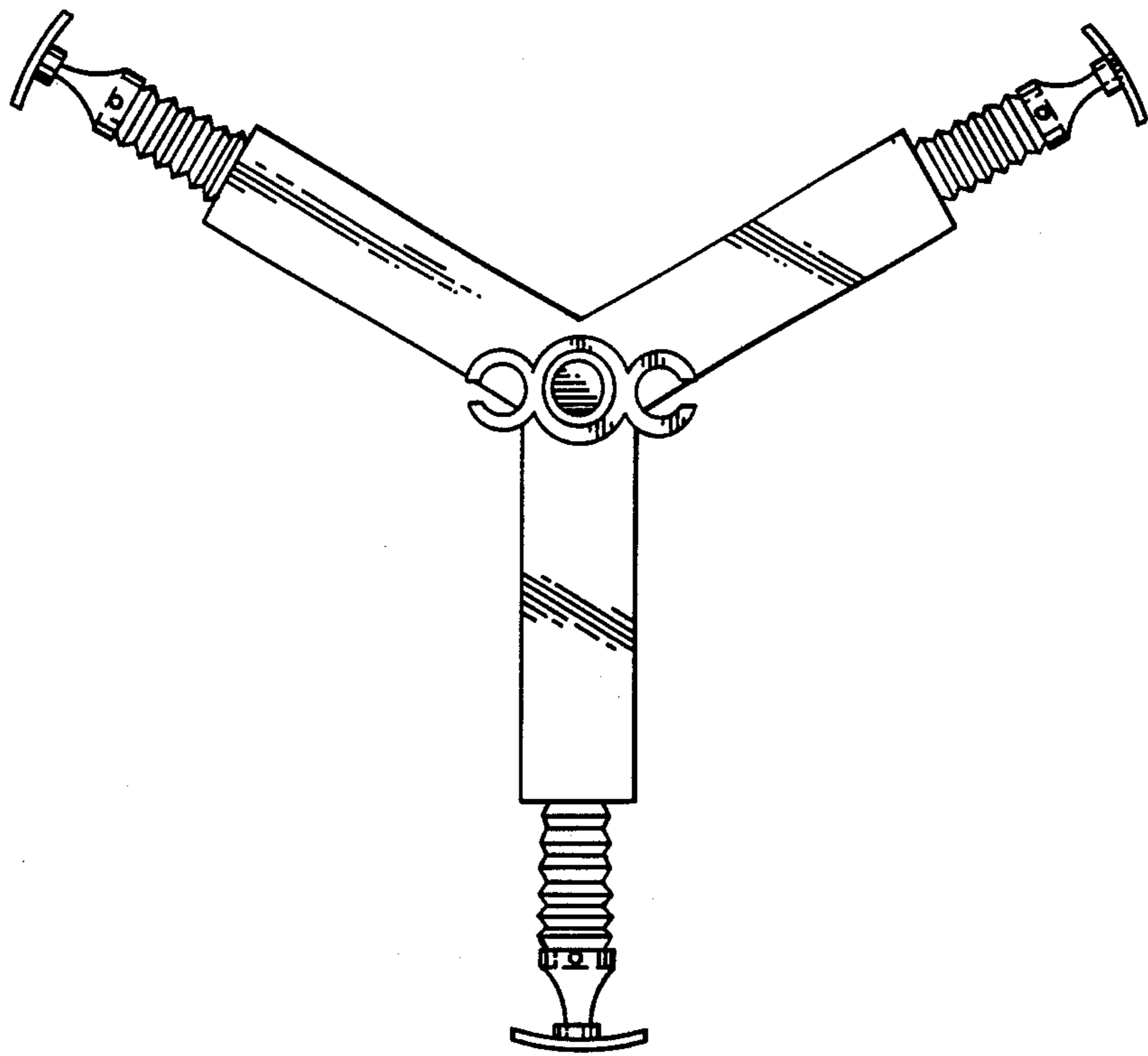


Fig. 4

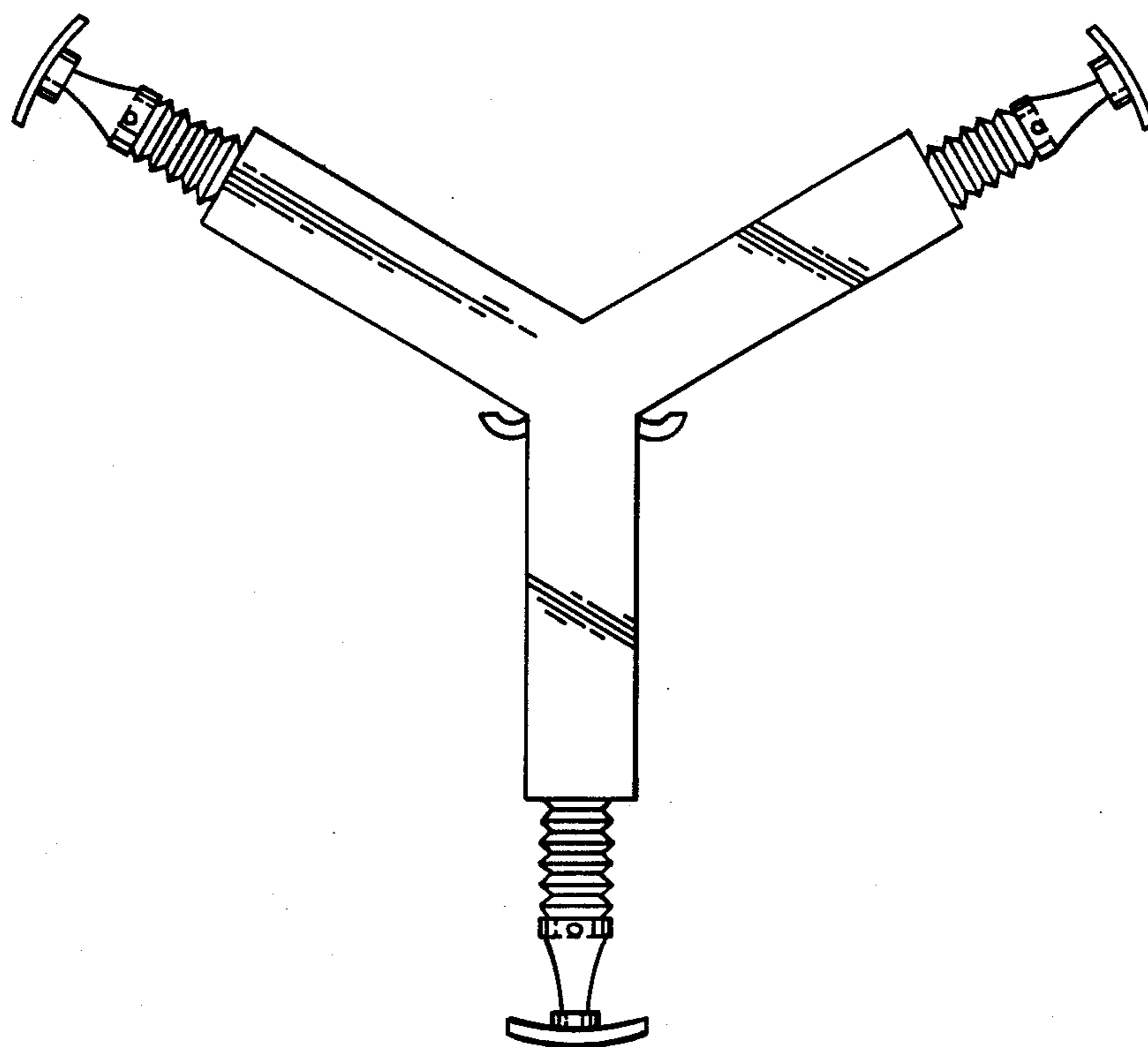


Fig. 5

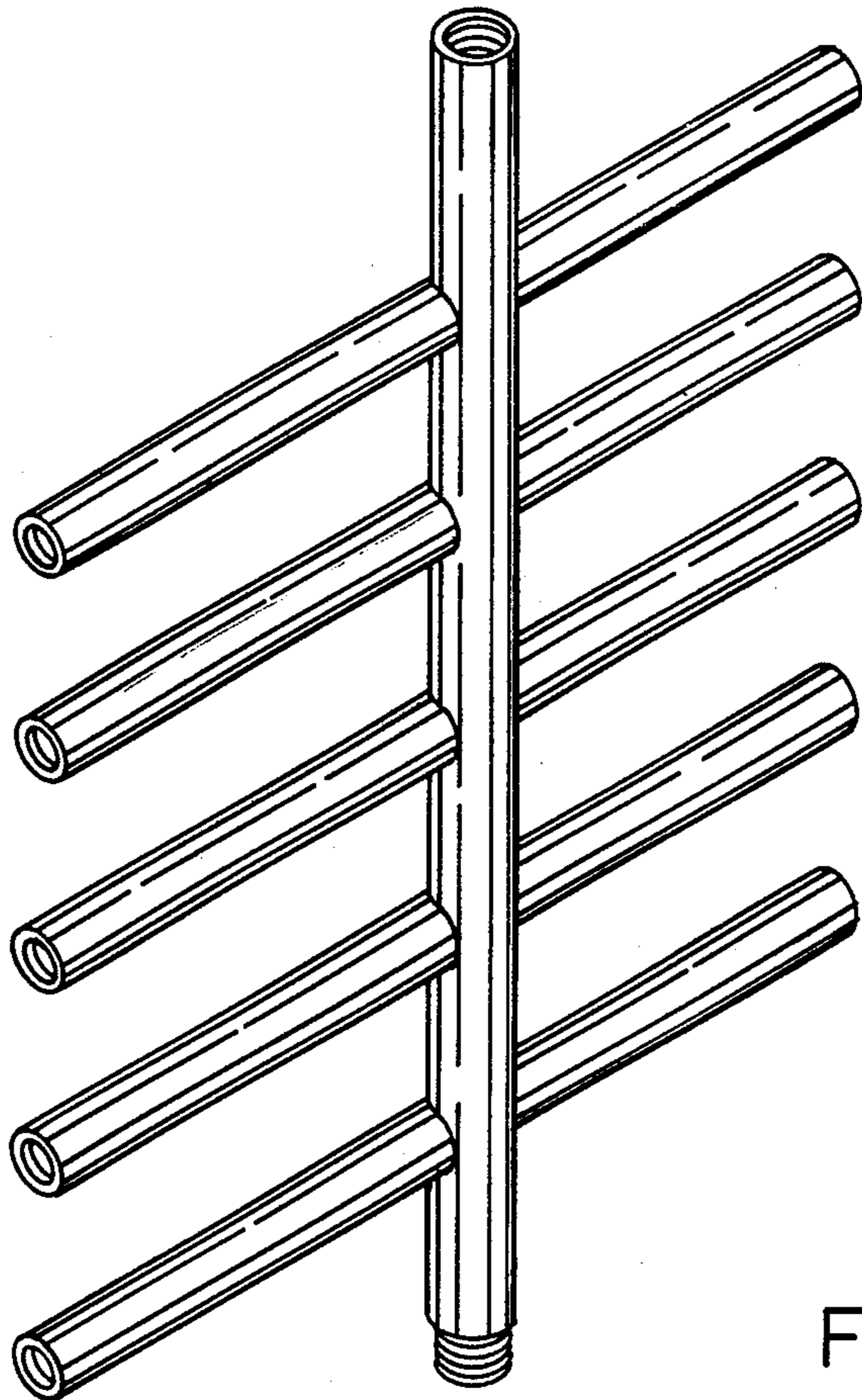


Fig. 6

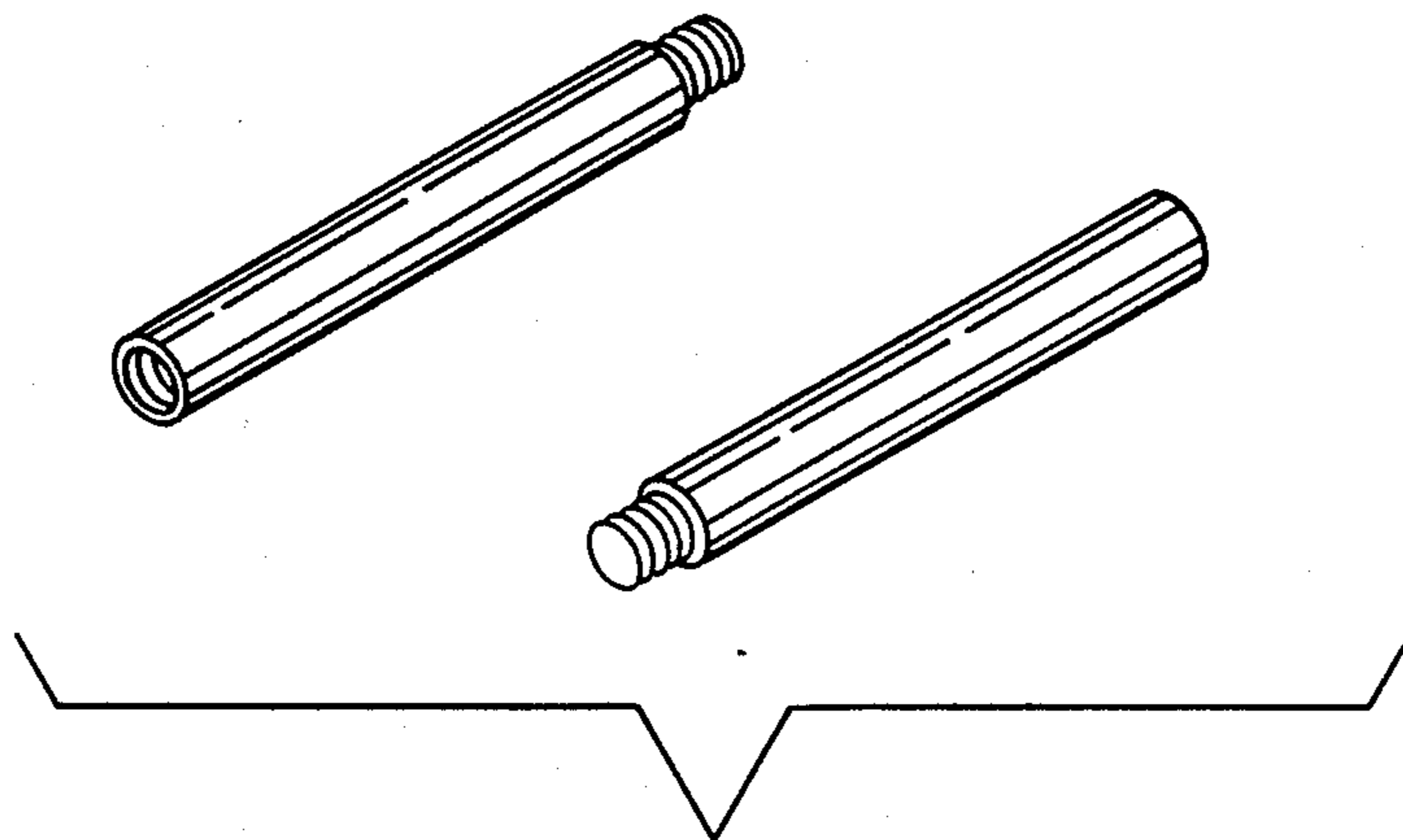


Fig. 7