

[54] **COOLER BOX FOR BOTTLES**

[75] **Inventor:** Arthur R. Carlson, Rowville, Australia

[73] **Assignee:** The Decor Corporation Proprietary Limited, Scoresby, Australia

[\*] **Notice:** The portion of the term of this patent subsequent to Jun. 2, 2001 has been disclaimed.

[\*\*] **Term:** 14 Years

[21] **Appl. No.:** 897,065

[22] **Filed:** Aug. 15, 1986

[52] **U.S. Cl.** ..... D7/77

[58] **Field of Search** ..... D7/76, 77, 37; D9/425, D9/426, 432, 373-375; 62/457, 458, 371-372; 220/410-412, 902, 22.3; 215/12 R, 1 C, 1 R

[56] **References Cited**

**U.S. PATENT DOCUMENTS**

D. 239,249 3/1976 Branscum ..... D7/77  
D. 281,695 12/1985 Ryan, Jr. .... D7/77

D. 283,480 4/1986 Bailey ..... D7/77  
D. 290,080 6/1987 Carlson ..... D7/77

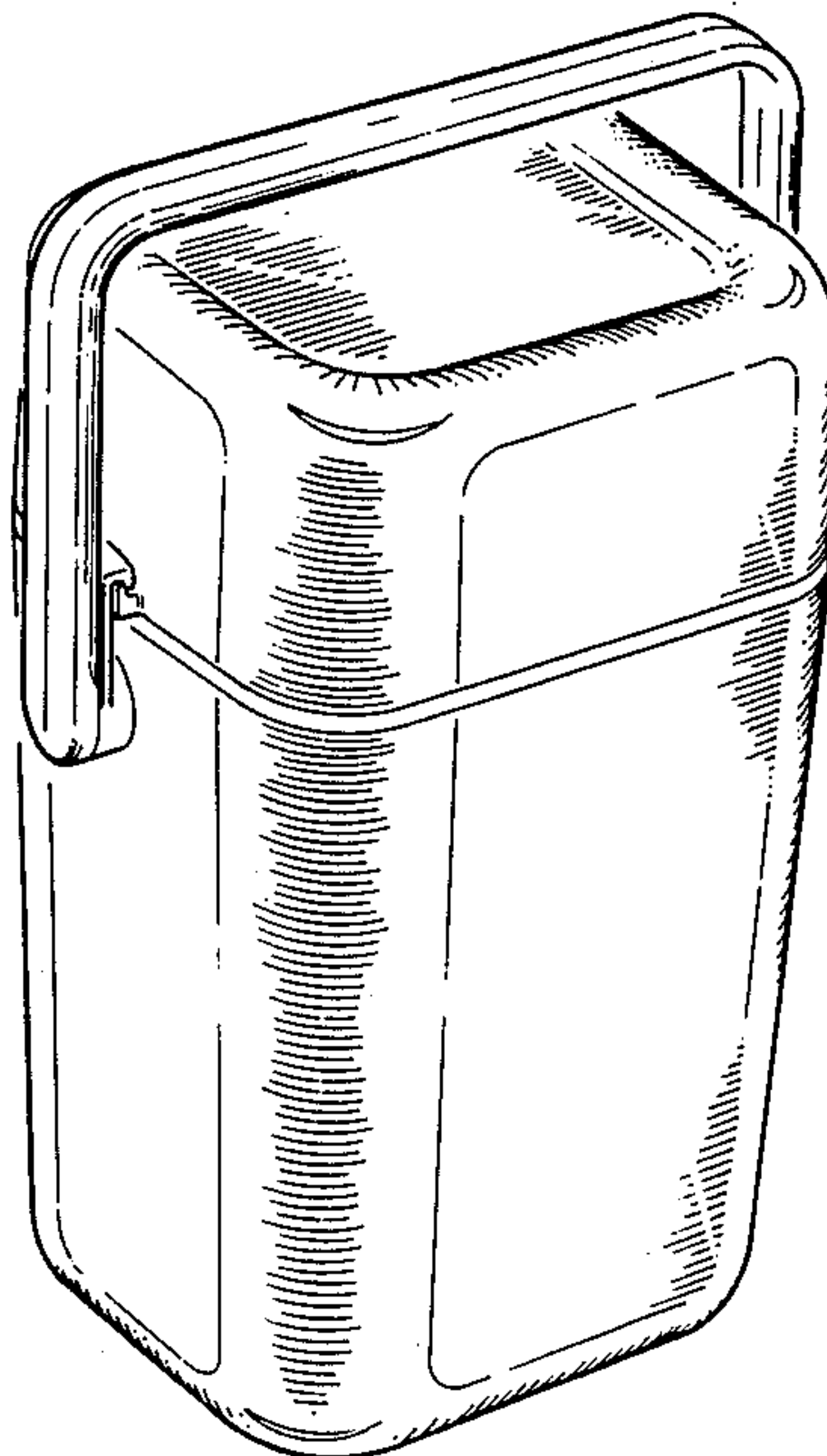
*Primary Examiner*—Bernard Ansher  
*Assistant Examiner*—Terry A. Pfeffer  
*Attorney, Agent, or Firm*—Richard Bushnell

[57] **CLAIM**

The ornamental design for a cooler box for bottles, as shown and described.

**DESCRIPTION**

FIG. 1 is a top, front, left side perspective view of a cooler box for bottles showing my new design; FIG. 2 is a rear, bottom right side perspective view thereof; FIG. 3 is an exploded perspective view thereof; FIG. 4 is a side elevational view thereof; FIG. 5 is a front elevational view thereof; FIG. 6 is a top plan view thereof; FIG. 7 is a bottom plan view thereof; FIG. 8 is a top plan view of the bottom portion shown separately for clarity of illustration; and FIG. 9 is a vertical cross-sectional view taken along line 9-9 of FIG. 6.



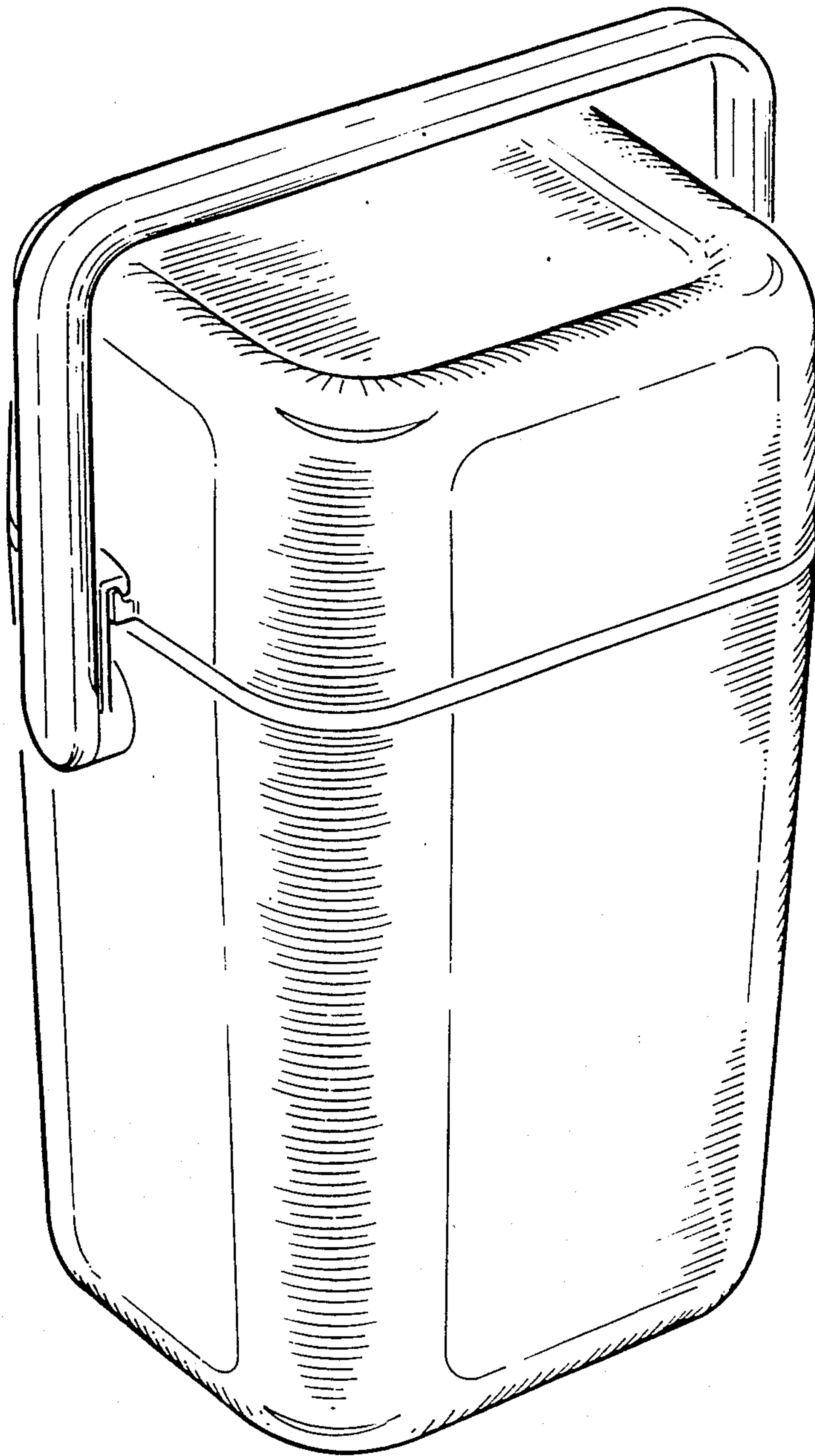


FIG. 1.

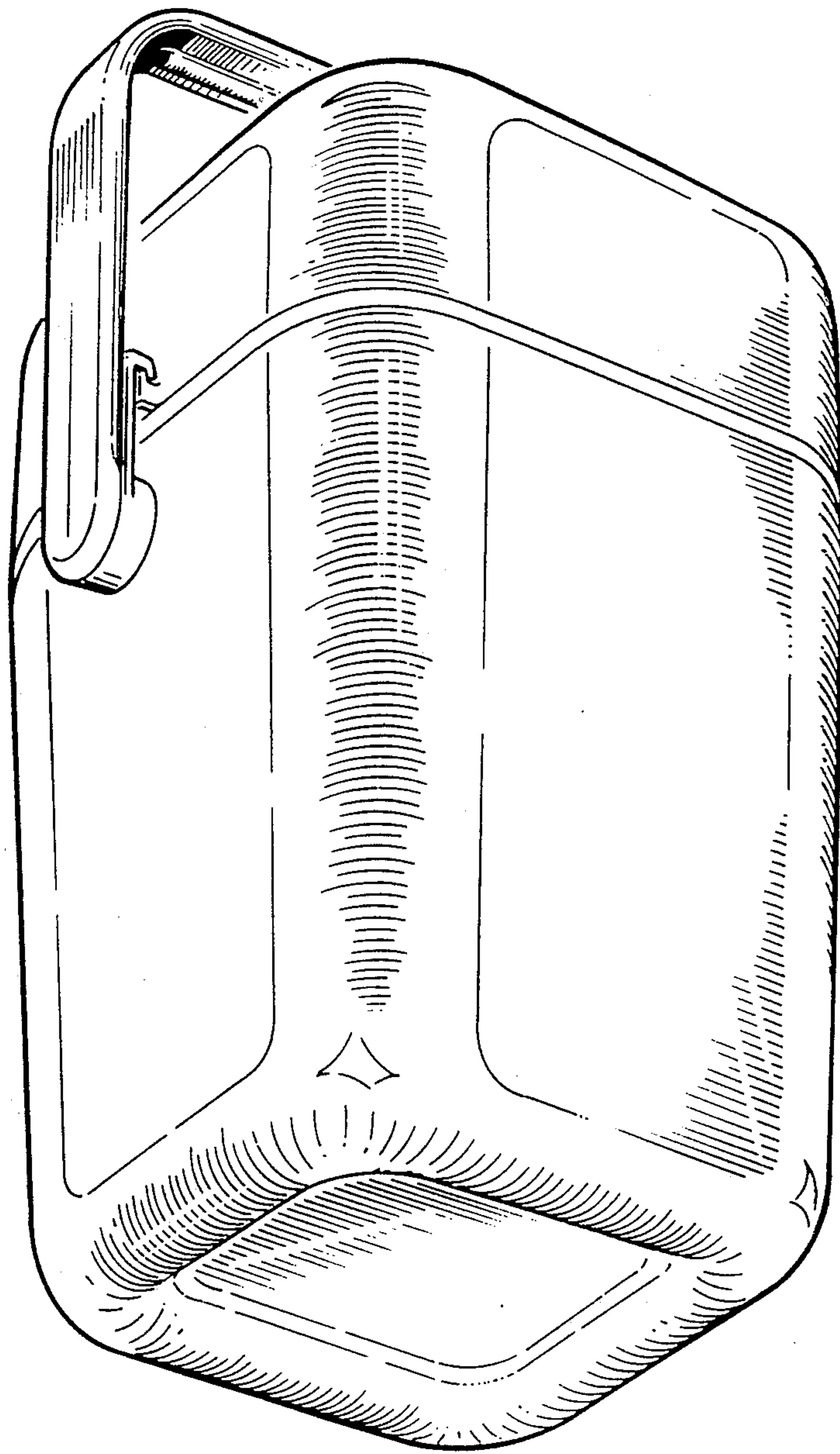
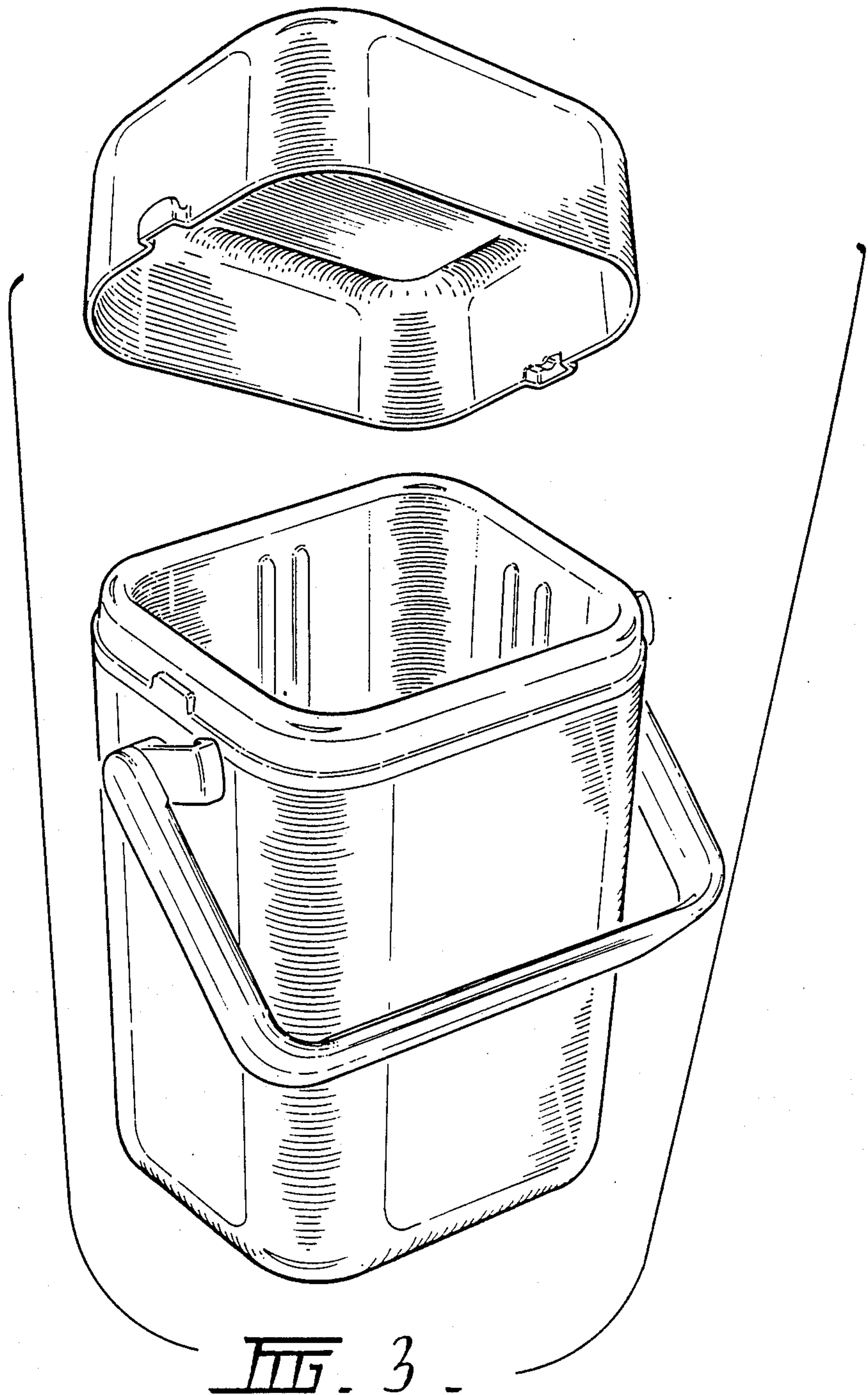


FIG. 2.





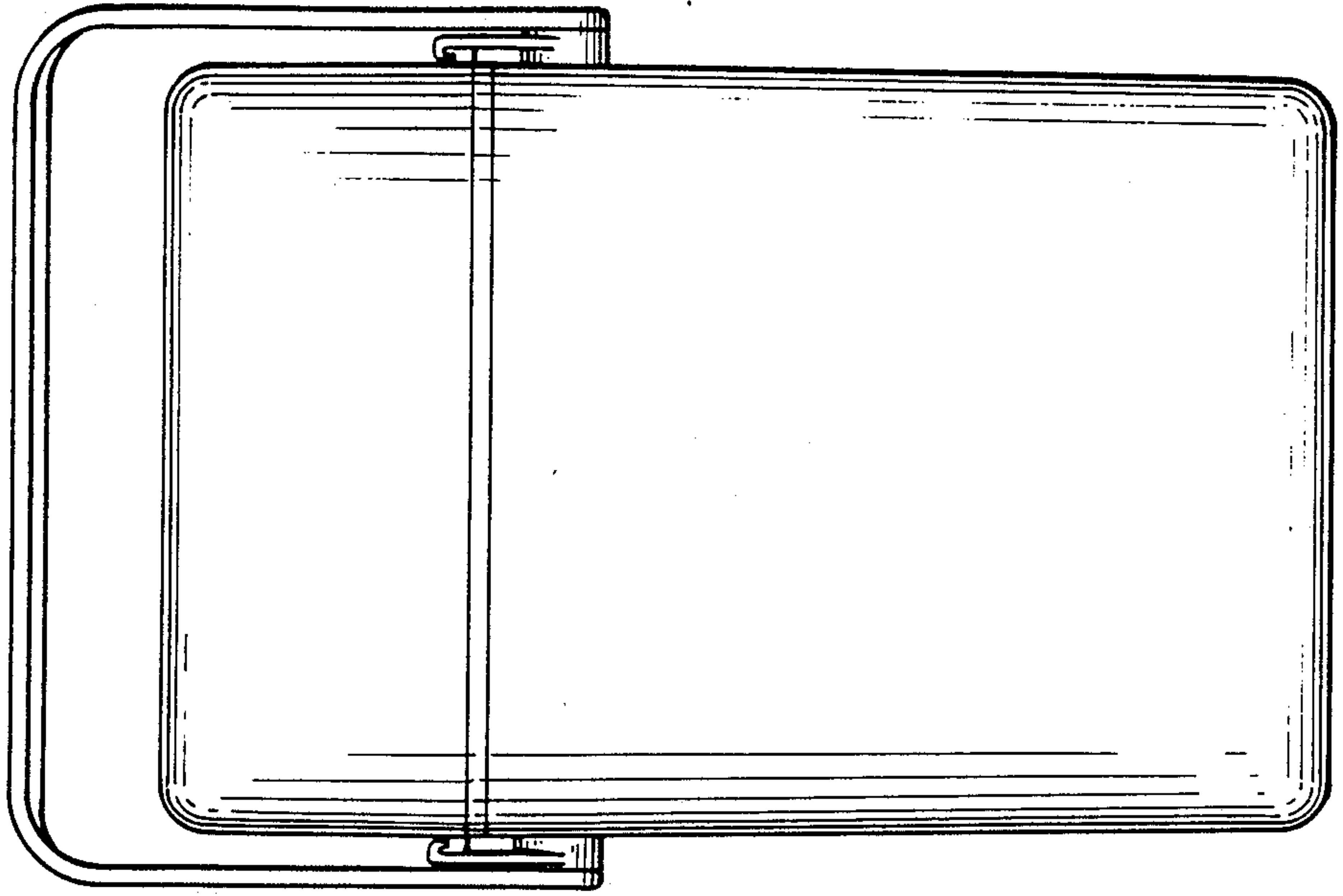


FIG. 5.

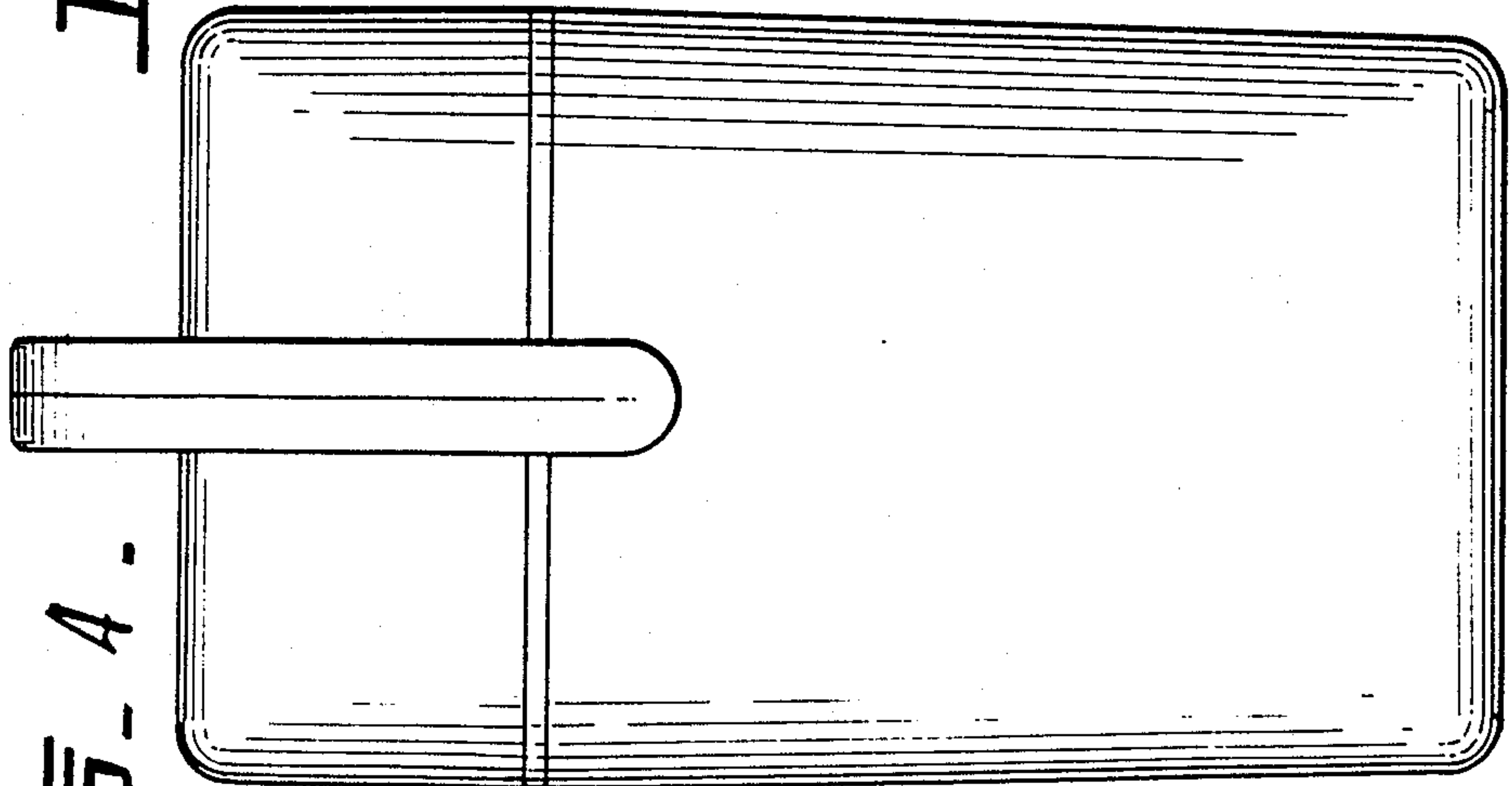


FIG. 4.

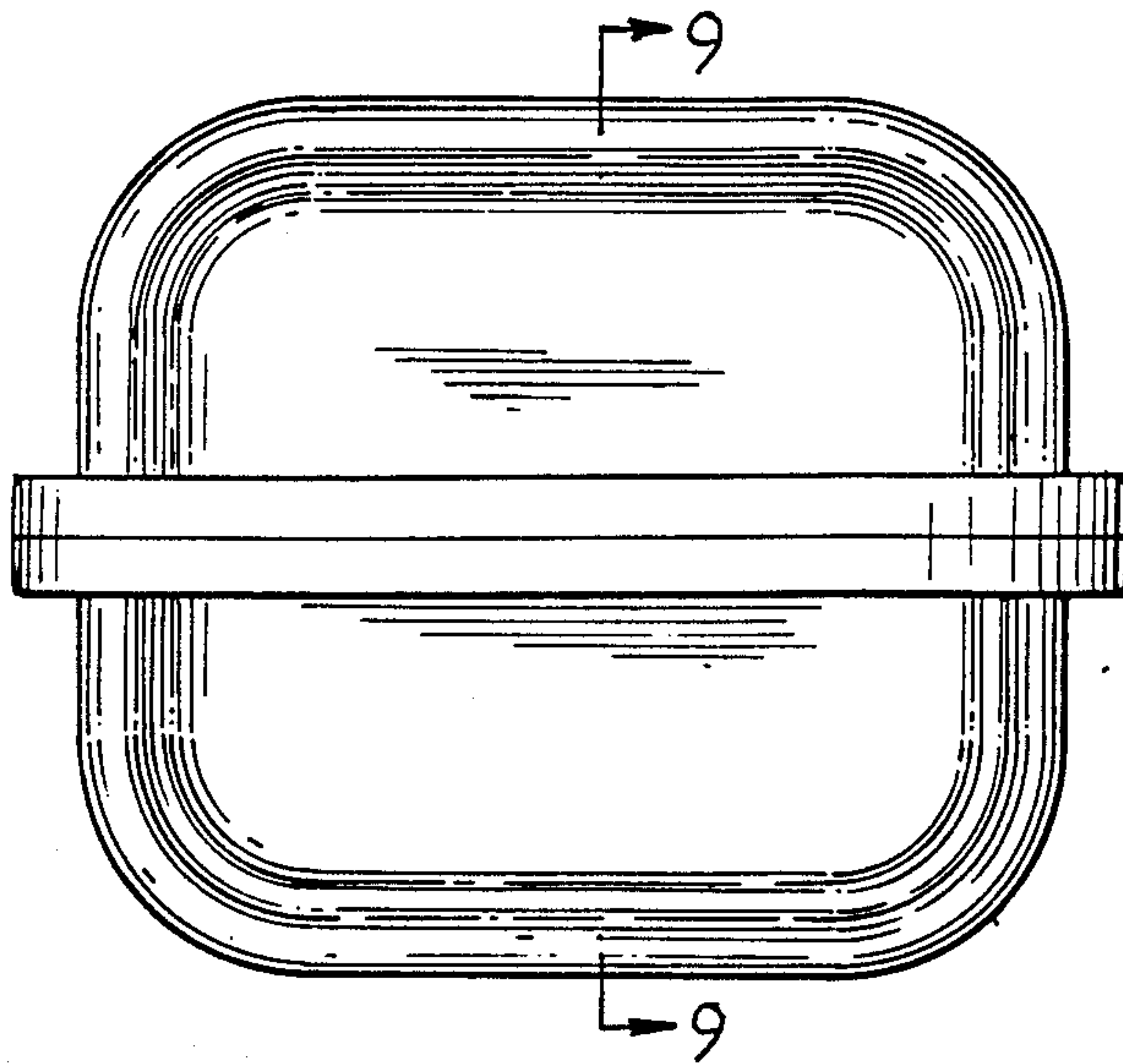


FIG. 6.

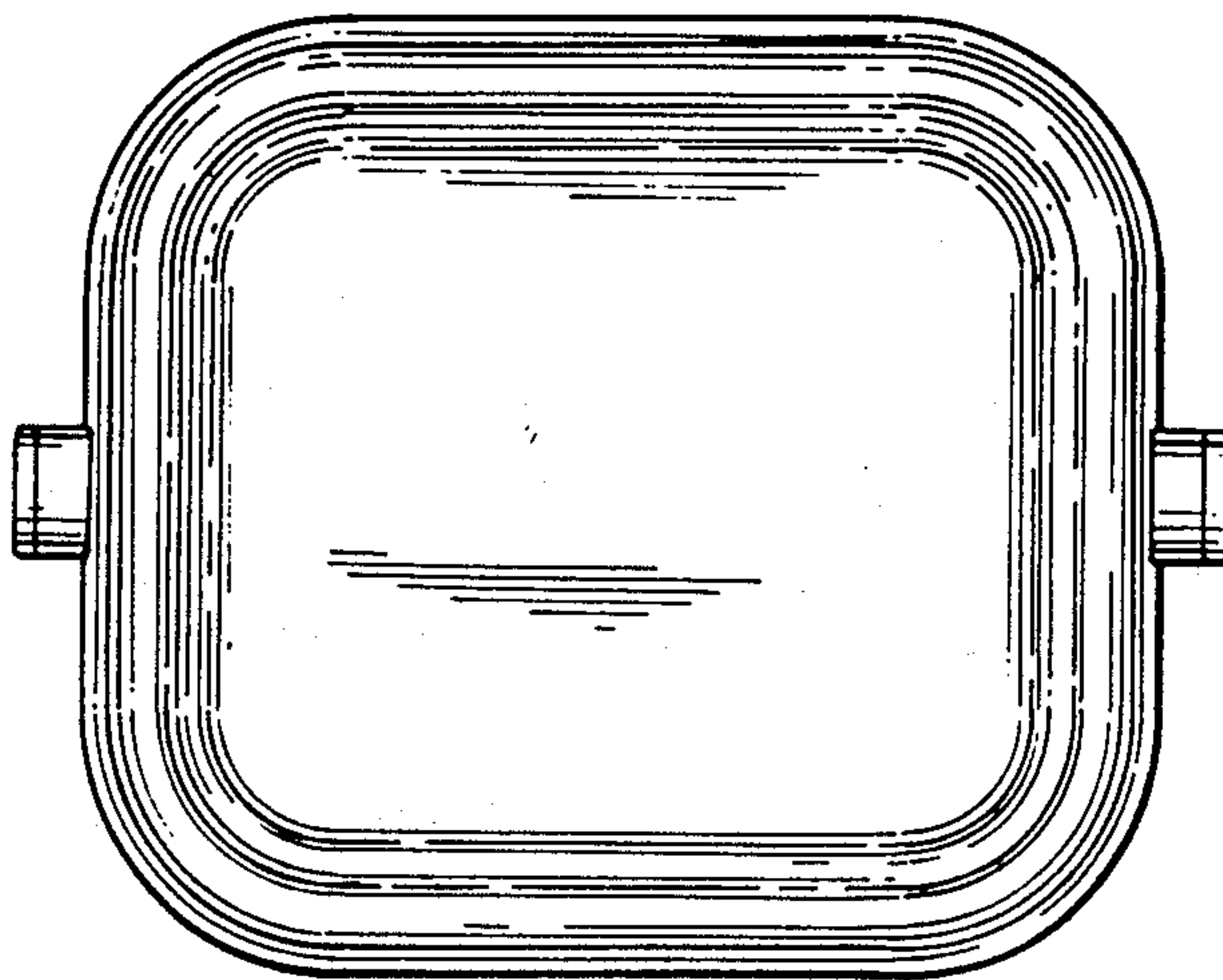
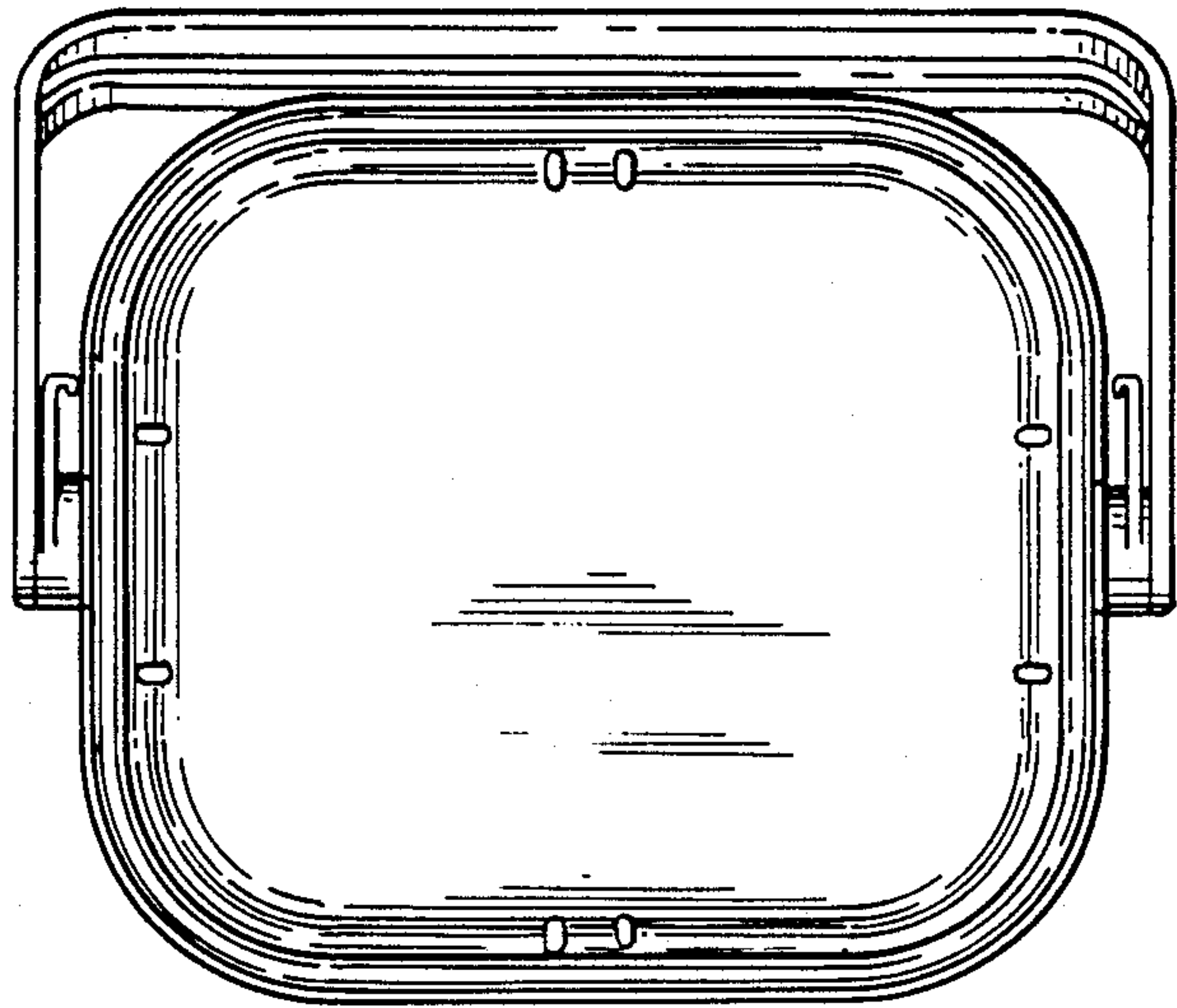
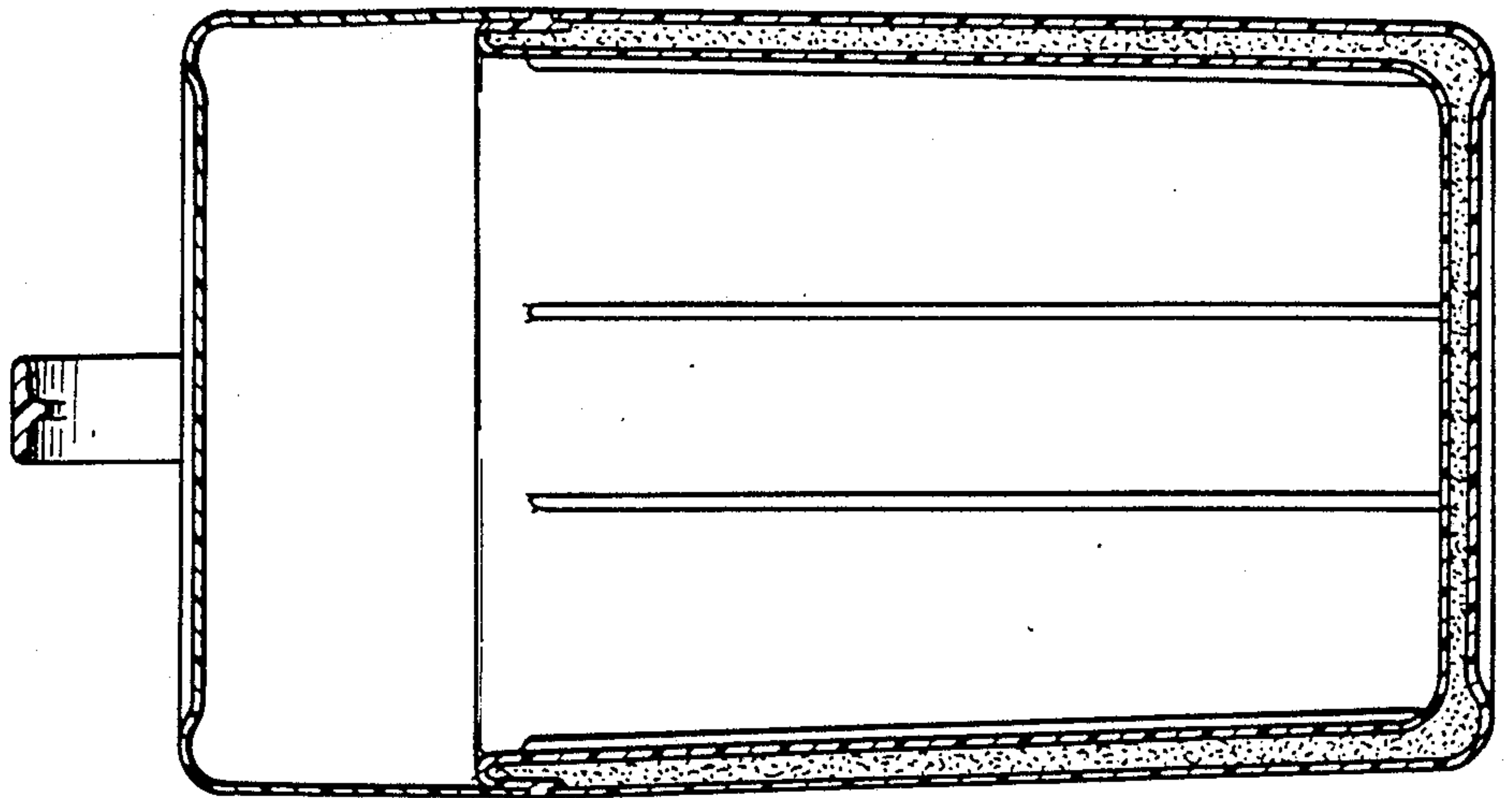


FIG. 7.



III-8.

III-9.