

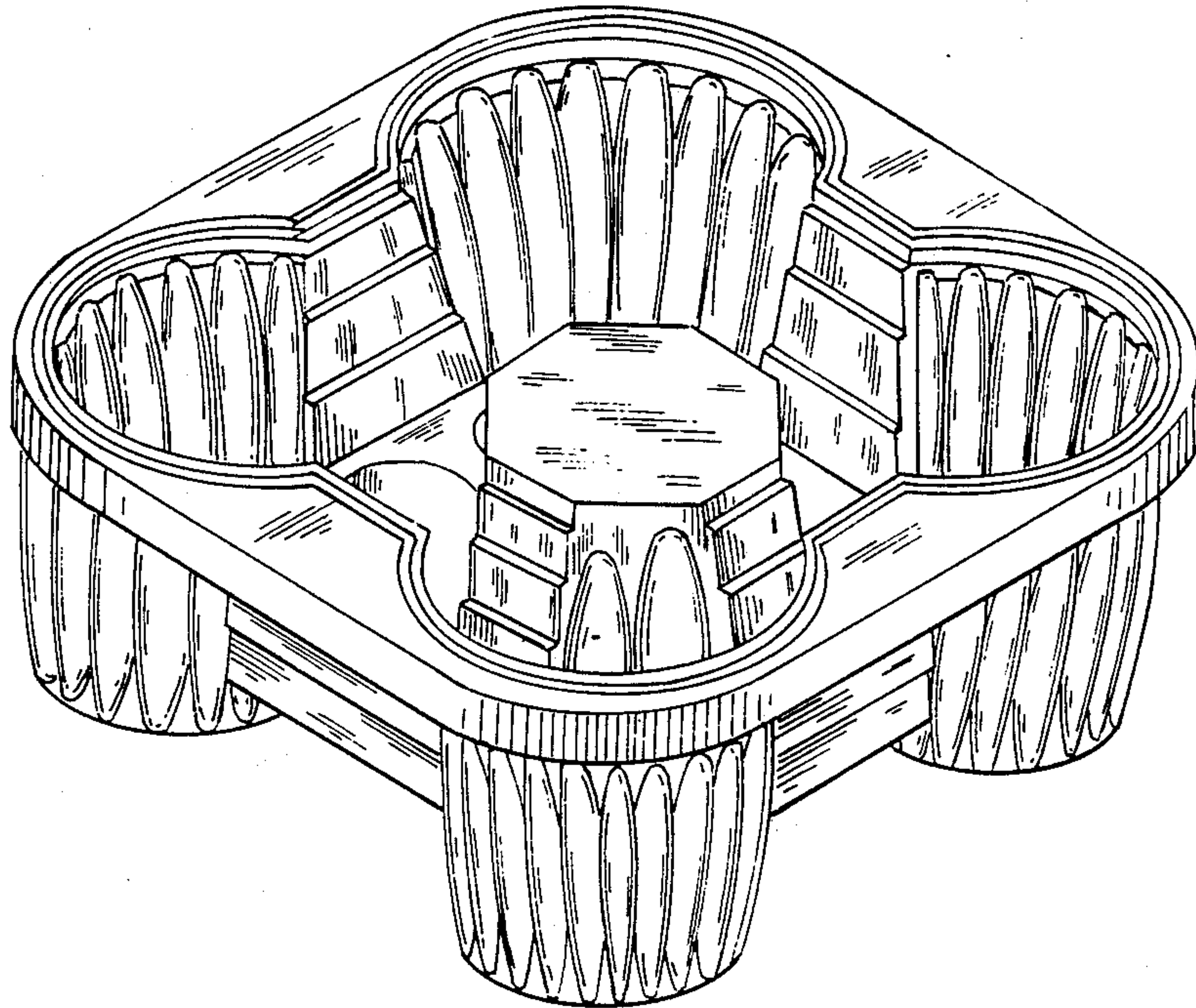
[54] **DRINKING CUP CADDY**
[75] **Inventor: Bruce W. Seifried, Clinton, Wis.**
[73] **Assignee: The Packaging House, Inc., Chicago, Ill.**
[**] **Term: 14 Years**
[21] **Appl. No.: 893,197**
[22] **Filed: Aug. 5, 1986**
[52] **U.S. Cl. D7/71**
[58] **Field of Search D7/71, 70, 76-77, D7/38; D9/455; 229/904; 206/139, 562-563; 220/20, 23.8, 85 H; 294/159; 211/88, 74**

[56] **References Cited**
U.S. PATENT DOCUMENTS
D. 236,575 9/1975 Vigue D7/38

D. 250,091 10/1978 Jewell D7/71 X
Primary Examiner—Bernard Ansher
Assistant Examiner—Terry Pfeffer
Attorney, Agent, or Firm—Jones, Day, Reavis & Pogue

[57] **CLAIM**
The ornamental design for a drinking cup caddy, as shown and described.

DESCRIPTION
FIG. 1 is a front, top, right side perspective view of a drinking cup caddy showing my new design;
FIG. 2 is a front elevational view thereof, the left, right and rear views being identical thereto;
FIG. 3 is a top plan view thereof;
FIG. 4 is a bottom plan view thereof; and
FIG. 5 is a cross-sectional view thereof taken along line 5-5 of FIG. 3.



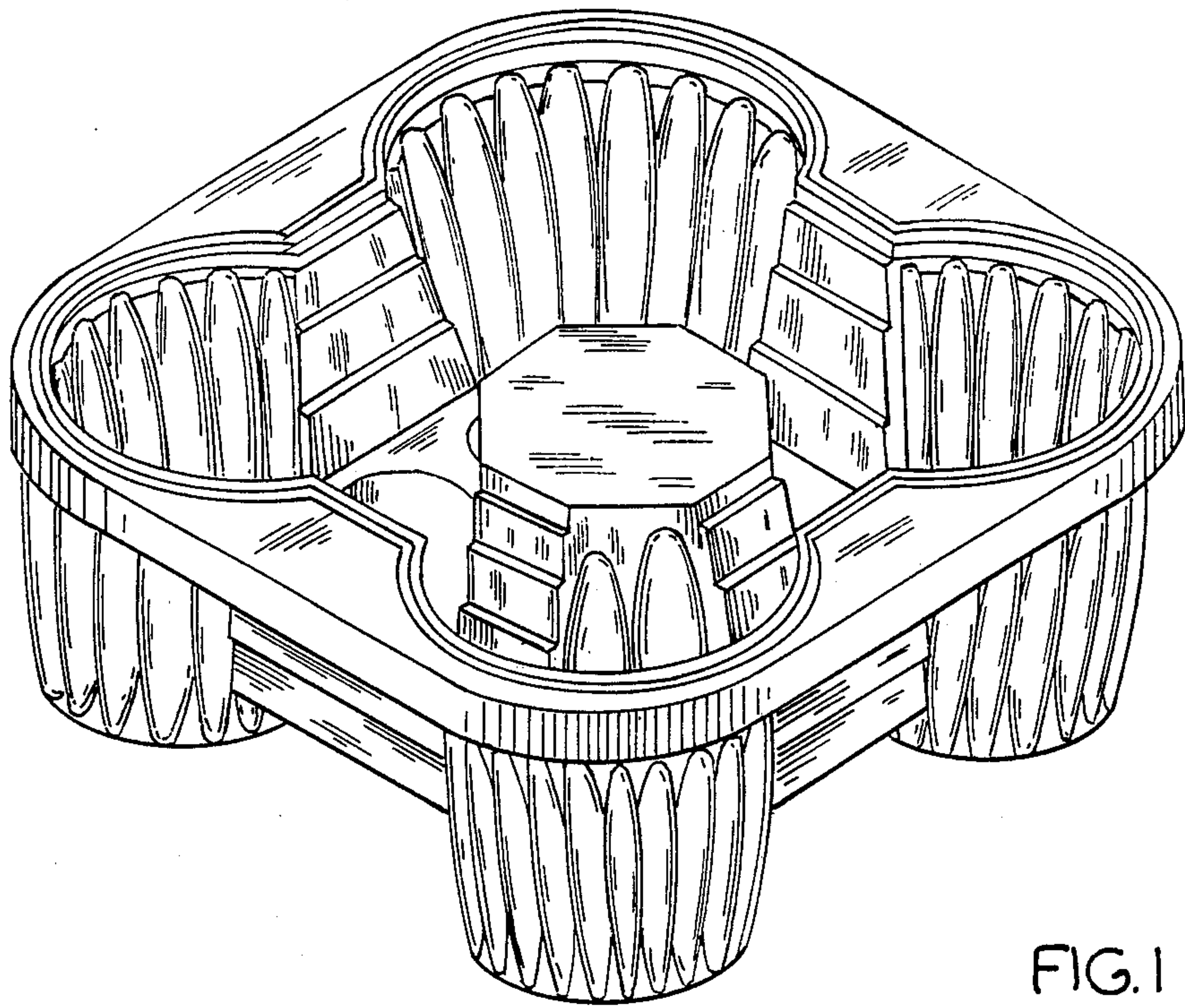


FIG. 1

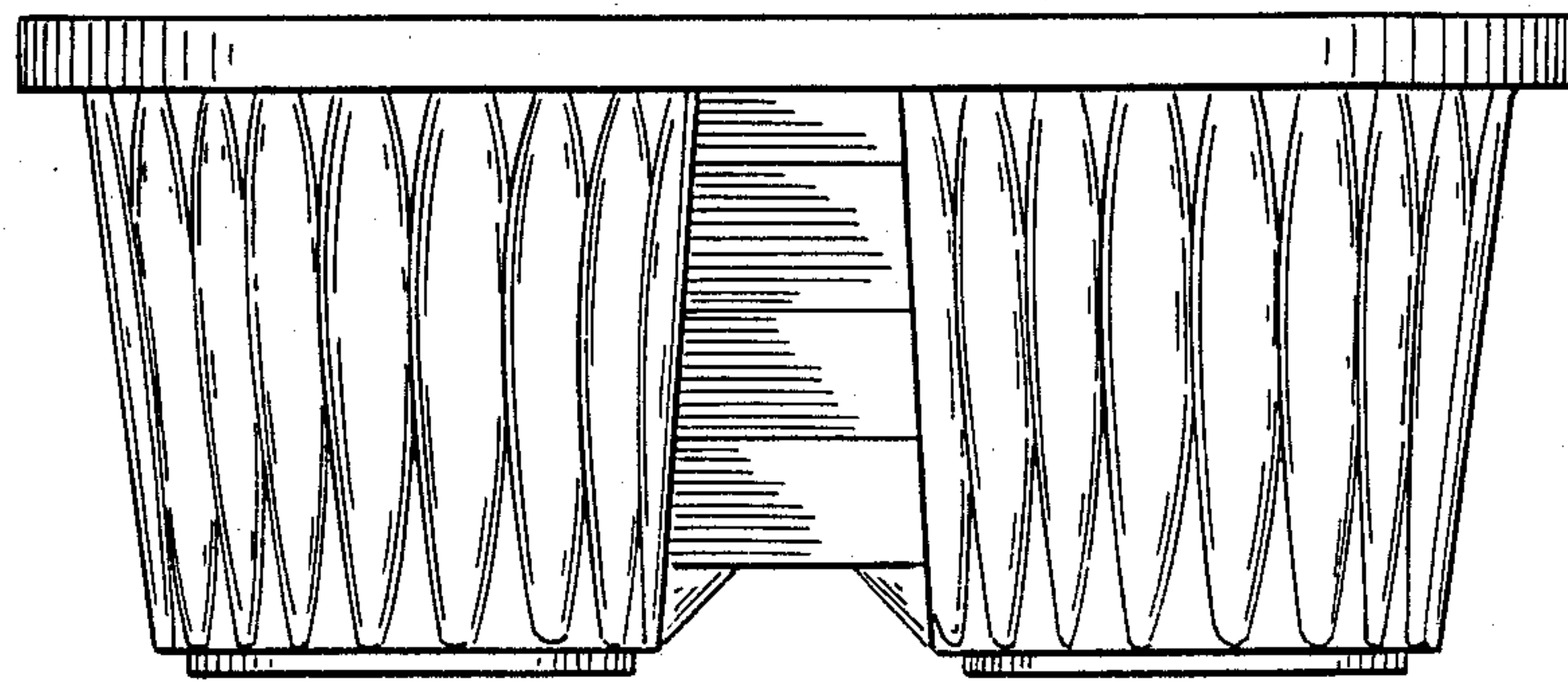


FIG. 2

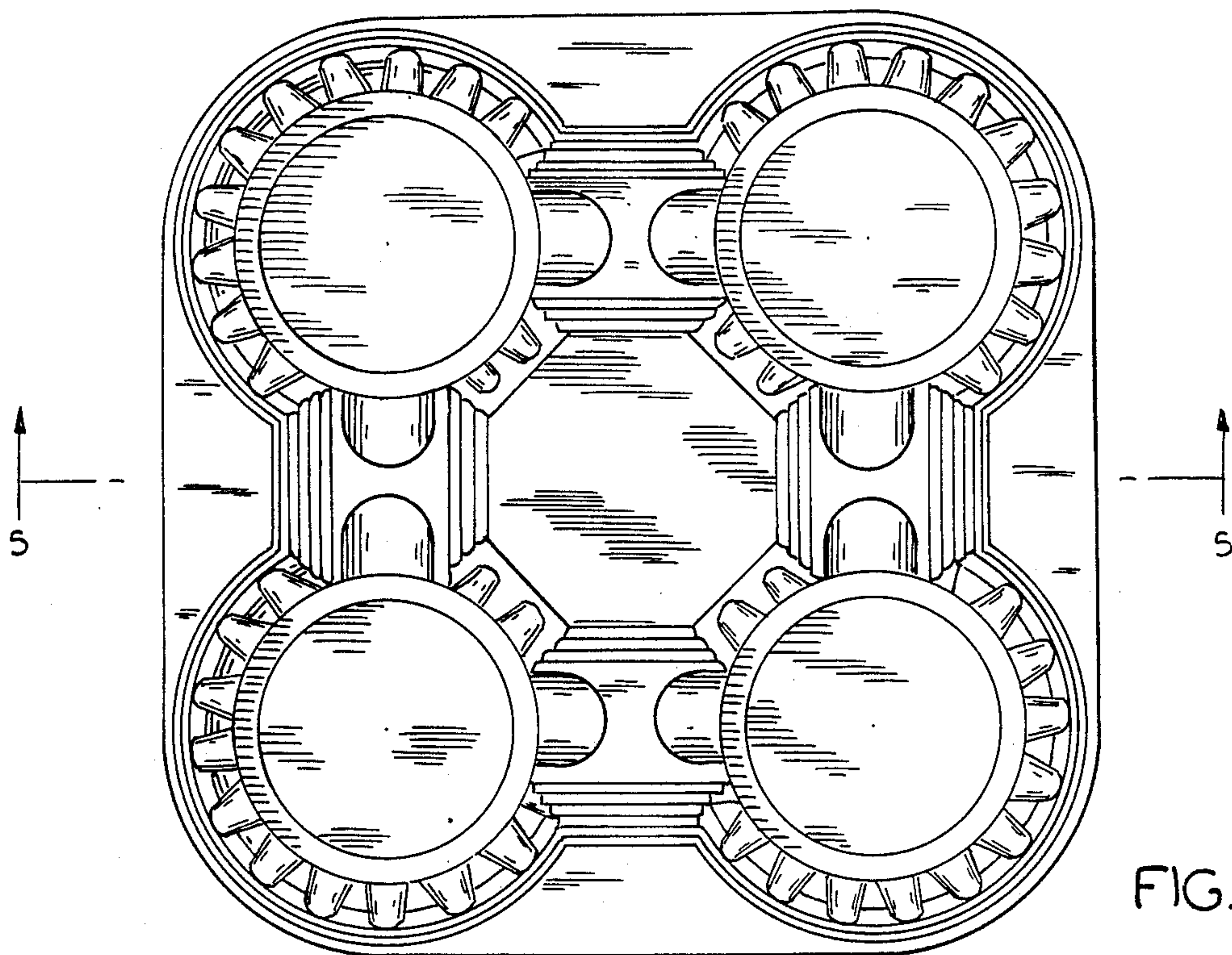


FIG. 3

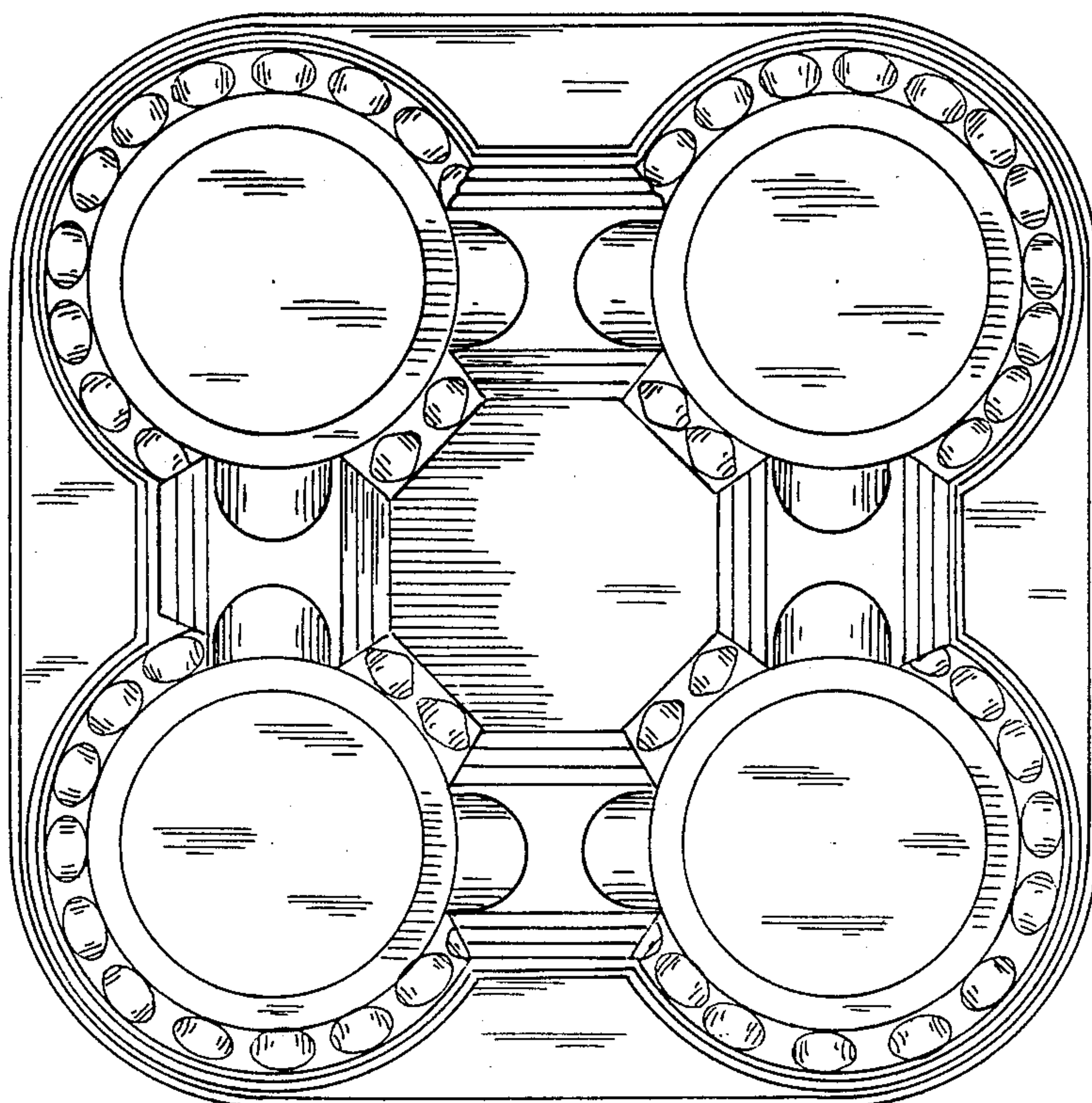


FIG. 4

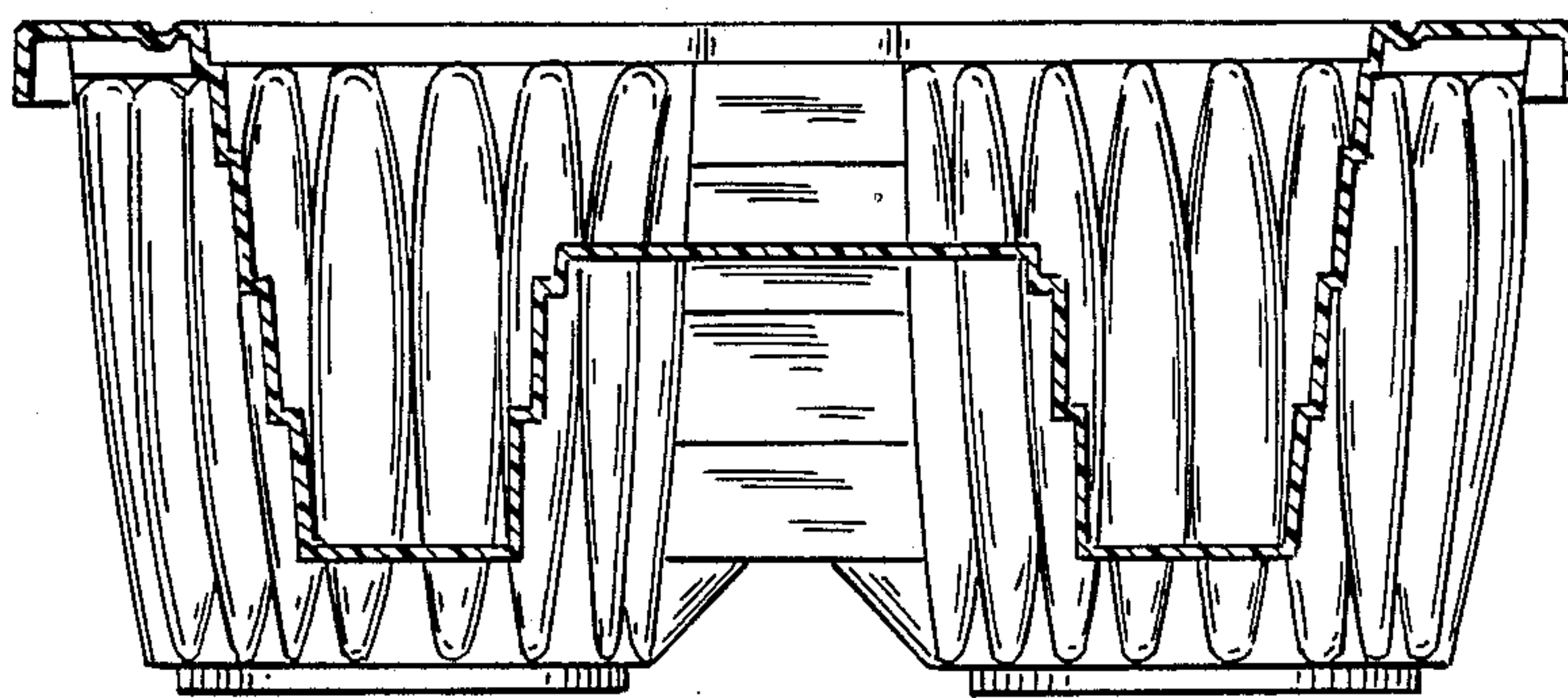


FIG.5