

[54] COMPUTER TABLE

[76] Inventors: Hoe S. Ng; Kim S. Chua, both of 319-H, Lorong Buang Kok, Singapore, 1954

[**] Term: 14 Years

[21] Appl. No.: 67,857

[22] Filed: Jun. 30, 1987

[30] Foreign Application Priority Data

Dec. 31, 1986 [SG] Singapore 1039043

[52] U.S. Cl. D6/474

[58] Field of Search D6/429, 477, 478, 479, D6/474; 108/93, 1; 248/1 A, 1 B, 1 C, 1 J

[56] References Cited

U.S. PATENT DOCUMENTS

- D. 258,791 4/1981 Verdesca D6/479
- D. 268,312 3/1983 Römpötti D6/474 X
- D. 286,353 10/1986 Robolin D6/474
- D. 288,157 2/1987 Sandor D6/474

D. 296,143 6/1988 Bettess D6/474 X

FOREIGN PATENT DOCUMENTS

493280 10/1938 United Kingdom 108/1

Primary Examiner—Carmen H. Vales-Lado
Attorney, Agent, or Firm—Fleit, Jacobson, Cohn, Price, Holman & Stern

[57] CLAIM

The ornamental design for a computer table, as shown.

DESCRIPTION

FIG. 1 is a perspective view of a computer table showing our new design;
 FIG. 2 is a top plan view thereof;
 FIG. 3 is a front elevational view thereof;
 FIG. 4 is a rear elevational view thereof;
 FIG. 5 is a left side elevational view thereof;
 FIG. 6 is a bottom plan view thereof;
 FIG. 7 is a perspective view showing the second shelf in an alternate position of use; and
 FIG. 8 is a left side elevational view thereof.

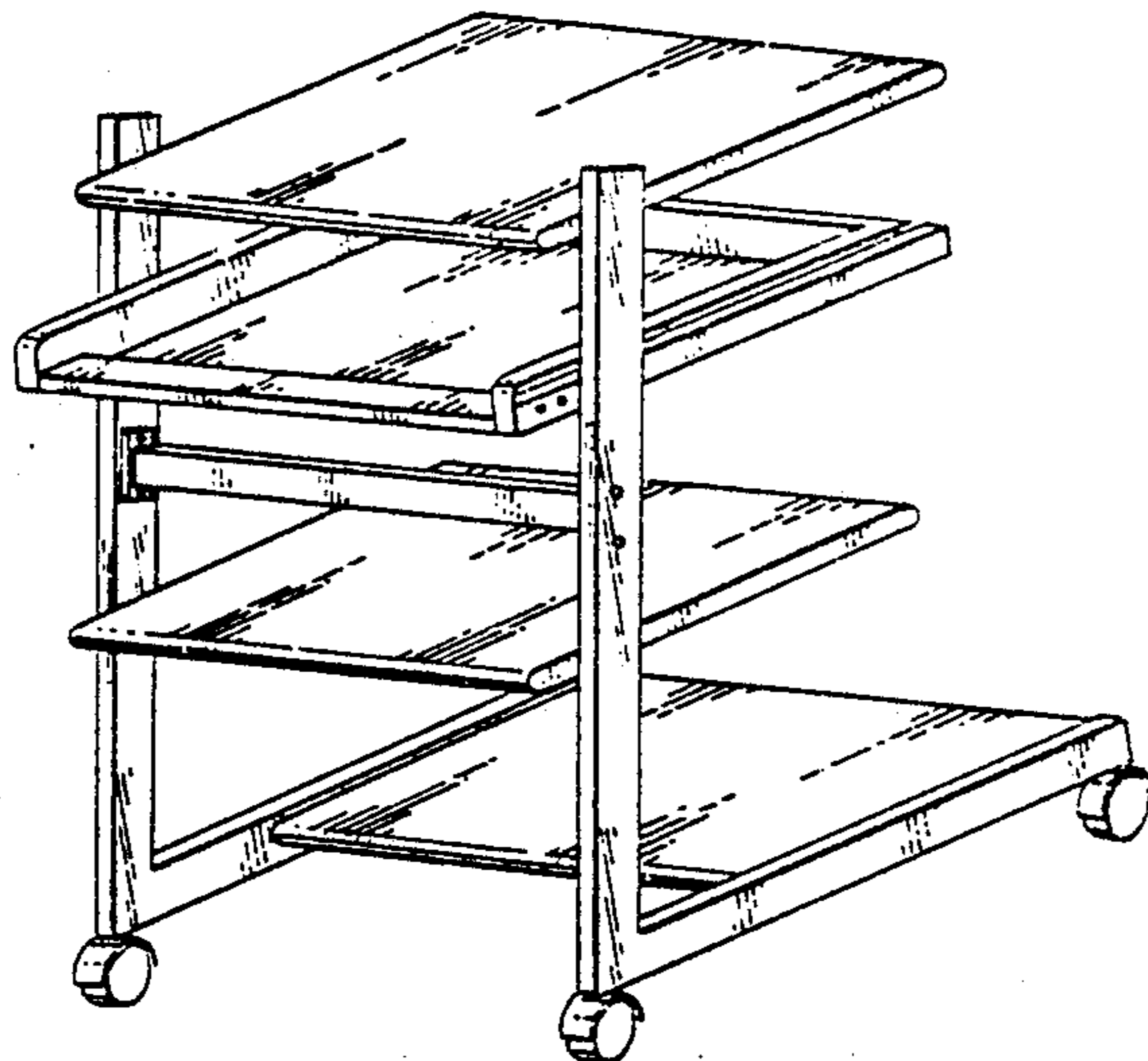


FIG. 2.

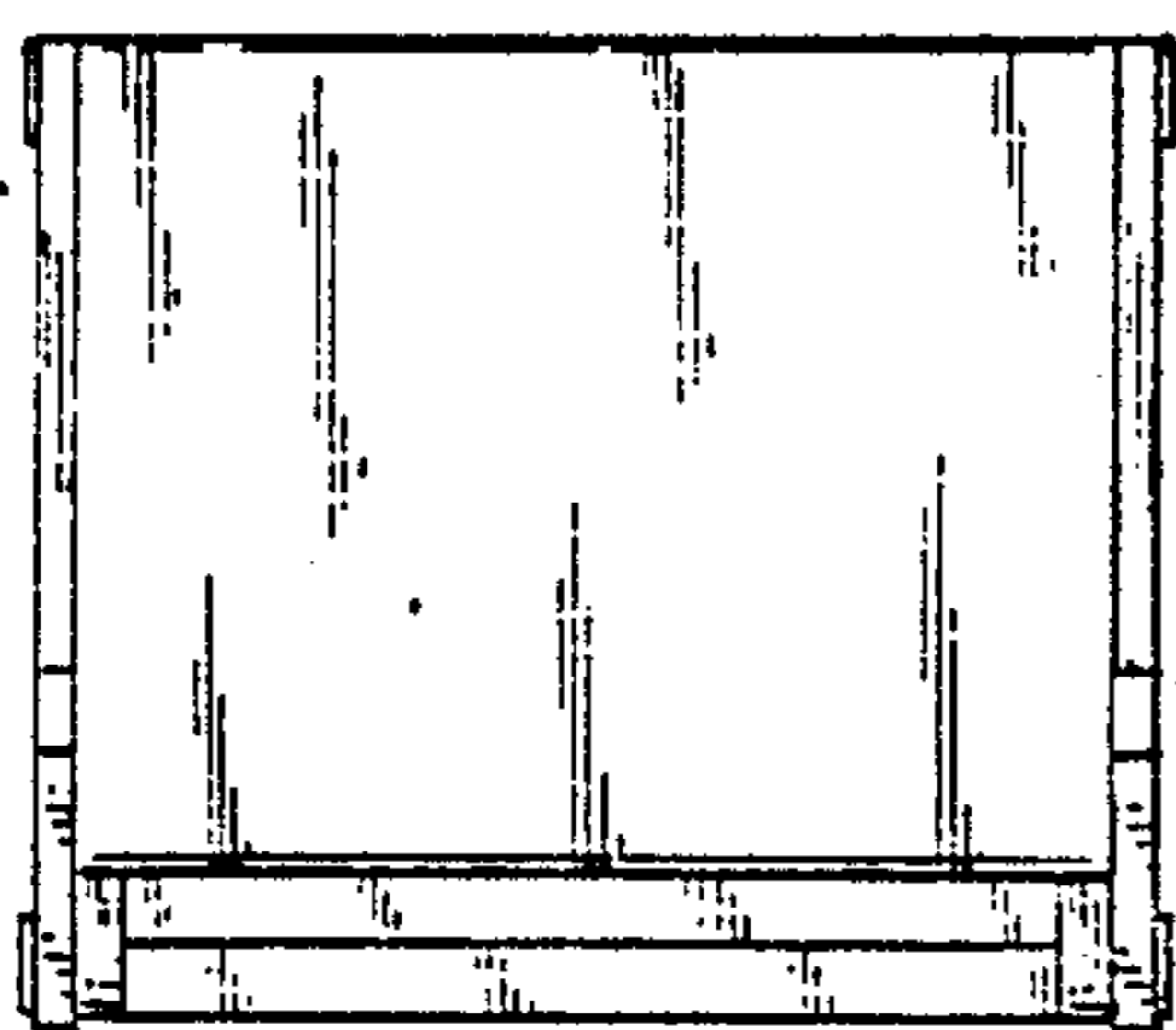


FIG. 3.

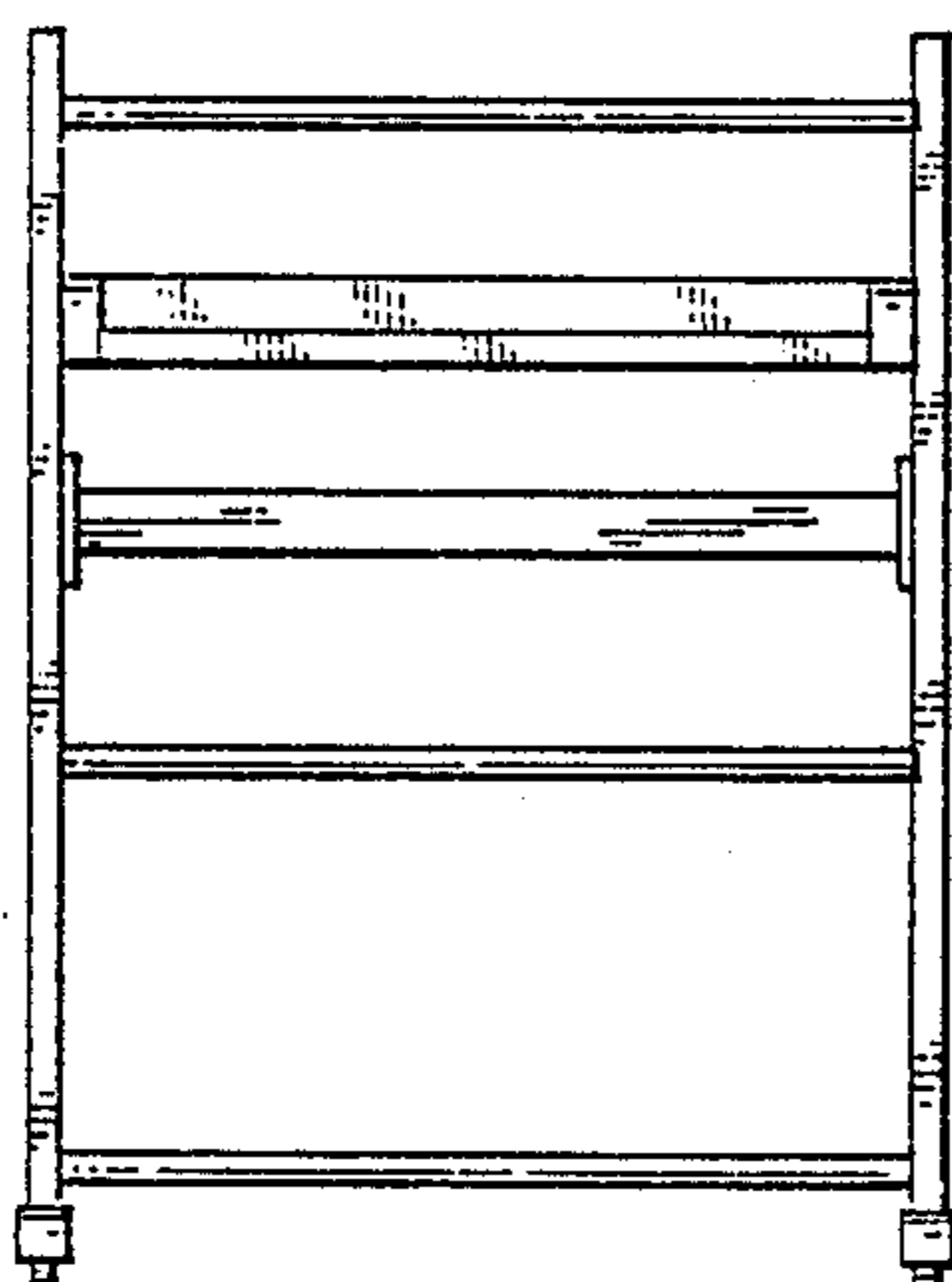


FIG. 4.

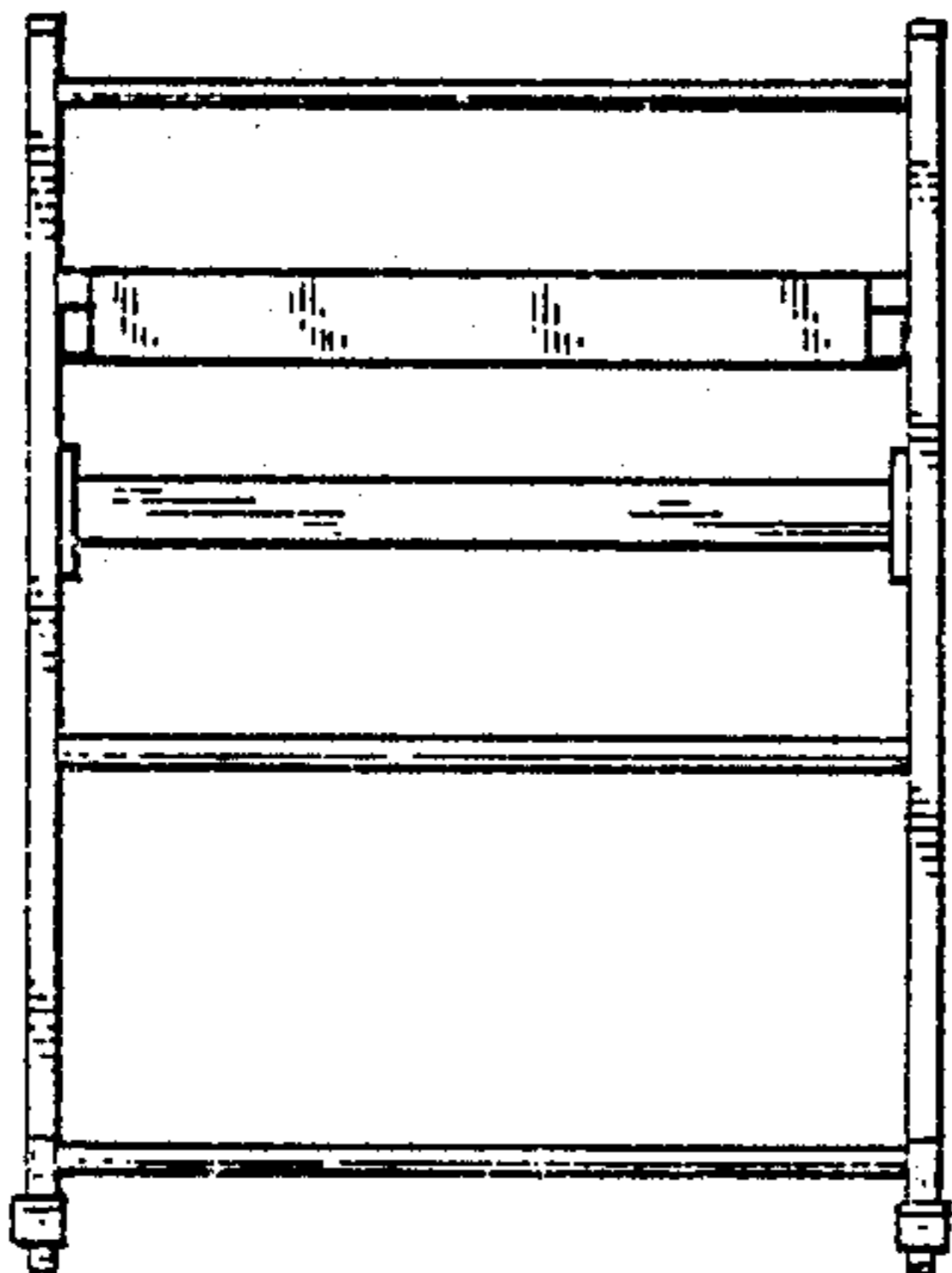


FIG. 1.

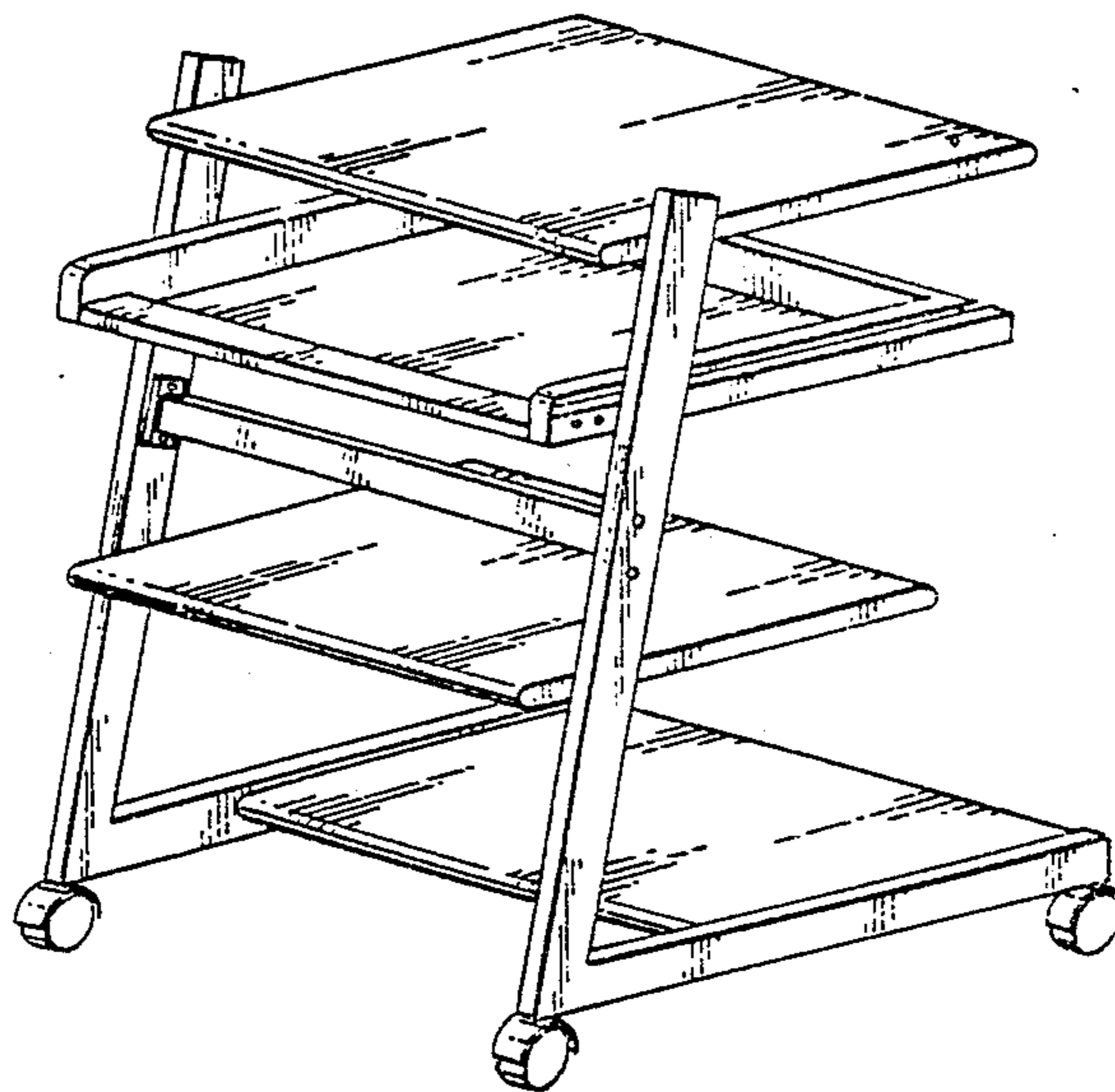


FIG. 5.

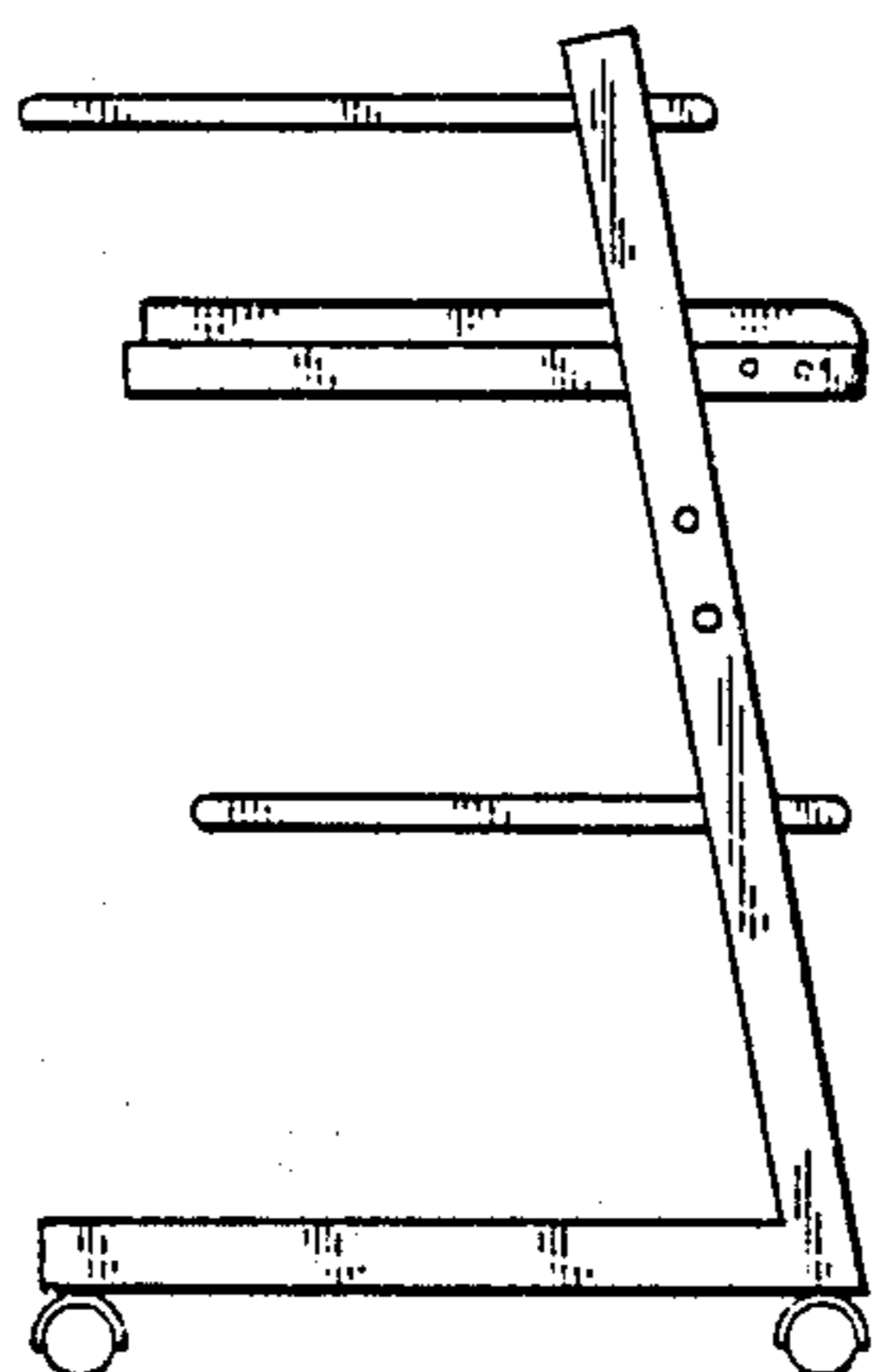


FIG. 6.

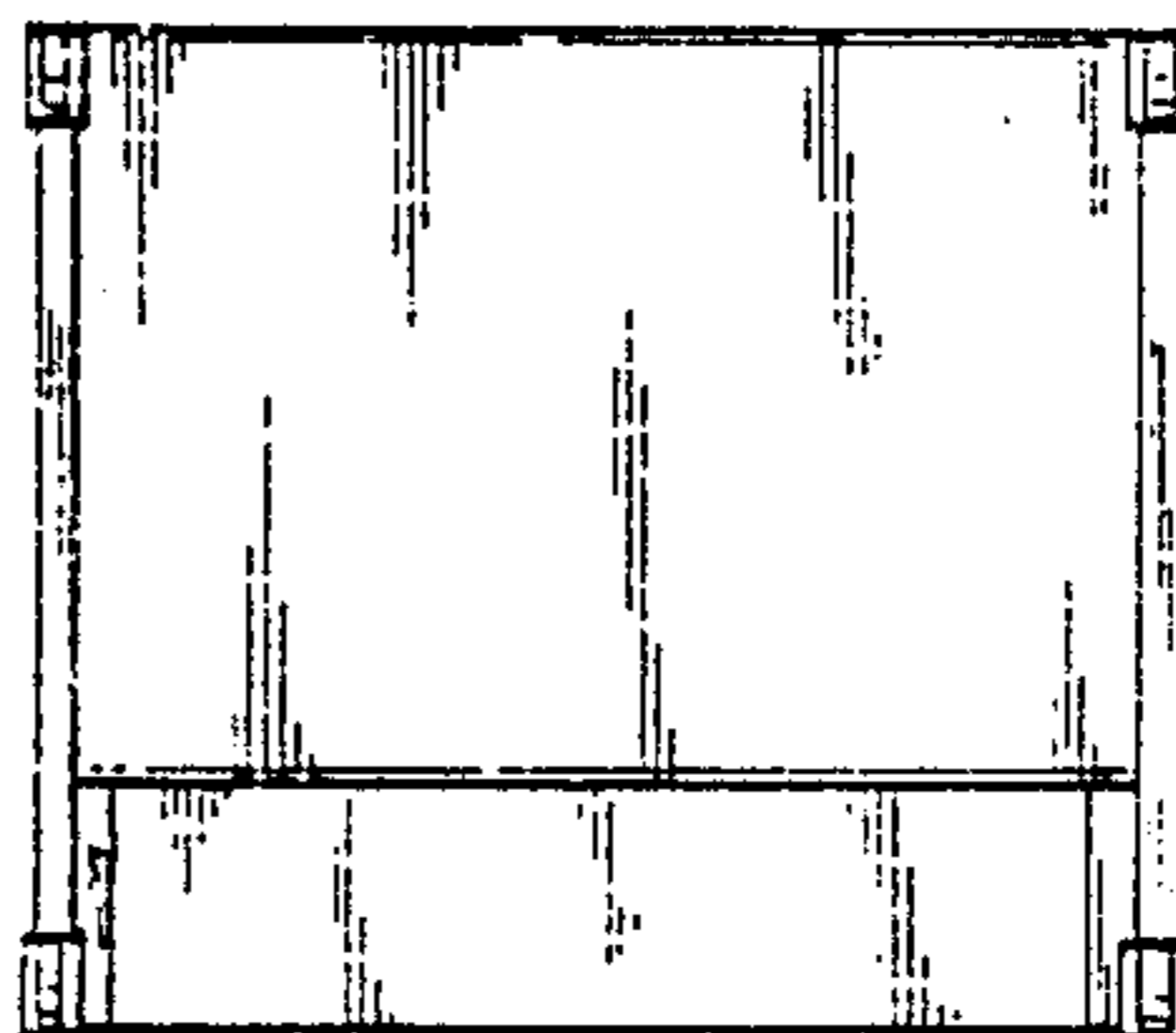


FIG. 7.

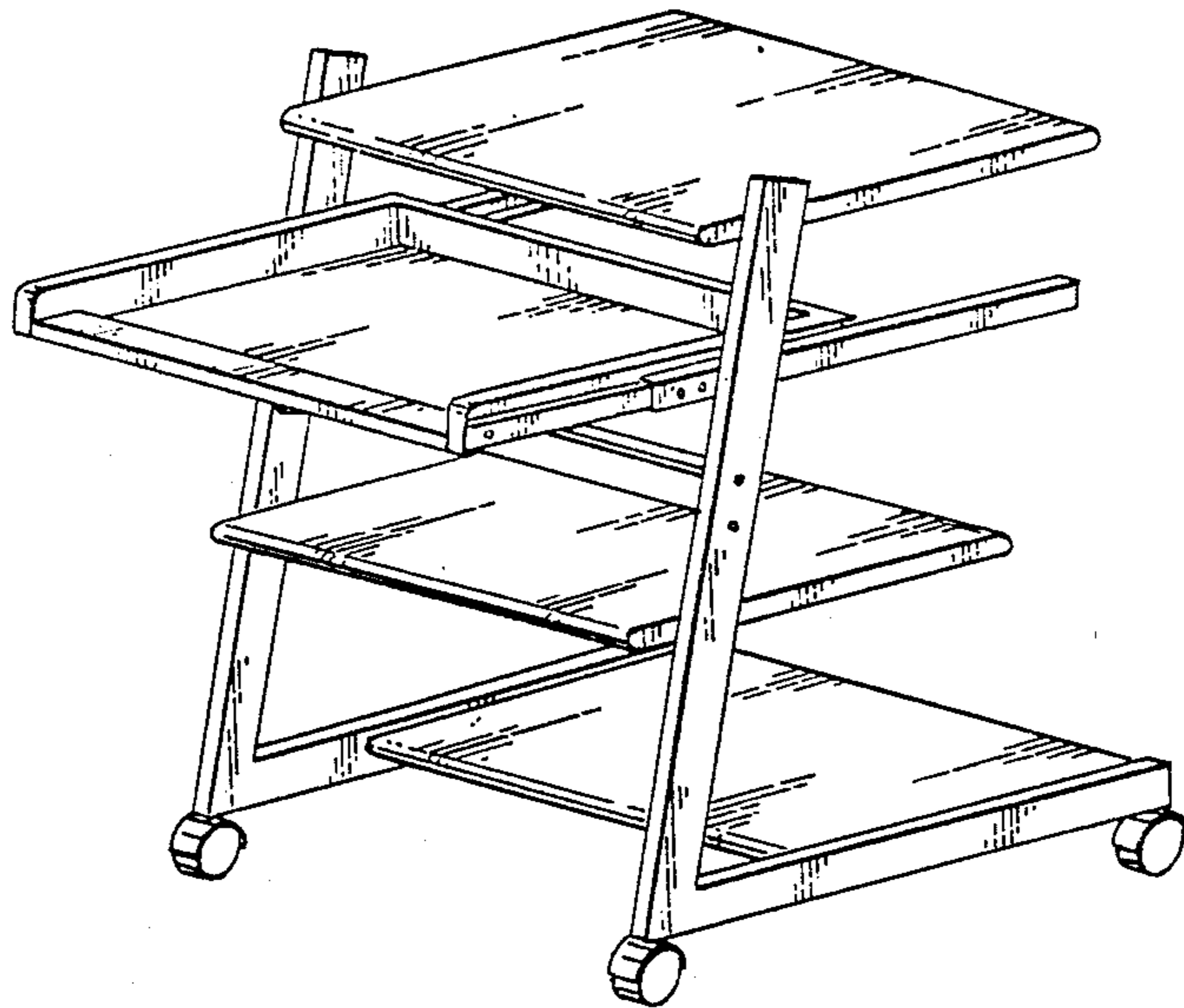


FIG. 8.

