

[54] PHOTOGRAPH FRAME MOUNT

[76] Inventor: Thomas T. M. Wang, No. 1, Alley 10, Lane 22, Kuang Fu South Rd., Taipei, Taiwan

[**] Term: 14 Years

[21] Appl. No.: 38,594

[22] Filed: Apr. 15, 1987

[52] U.S. Cl. D6/314; D6/300

[58] Field of Search D6/300-314; 40/152, 152.1

[56] References Cited

U.S. PATENT DOCUMENTS

D. 248,710 8/1978 Korzon D6/314

Primary Examiner—Bernard Ansher

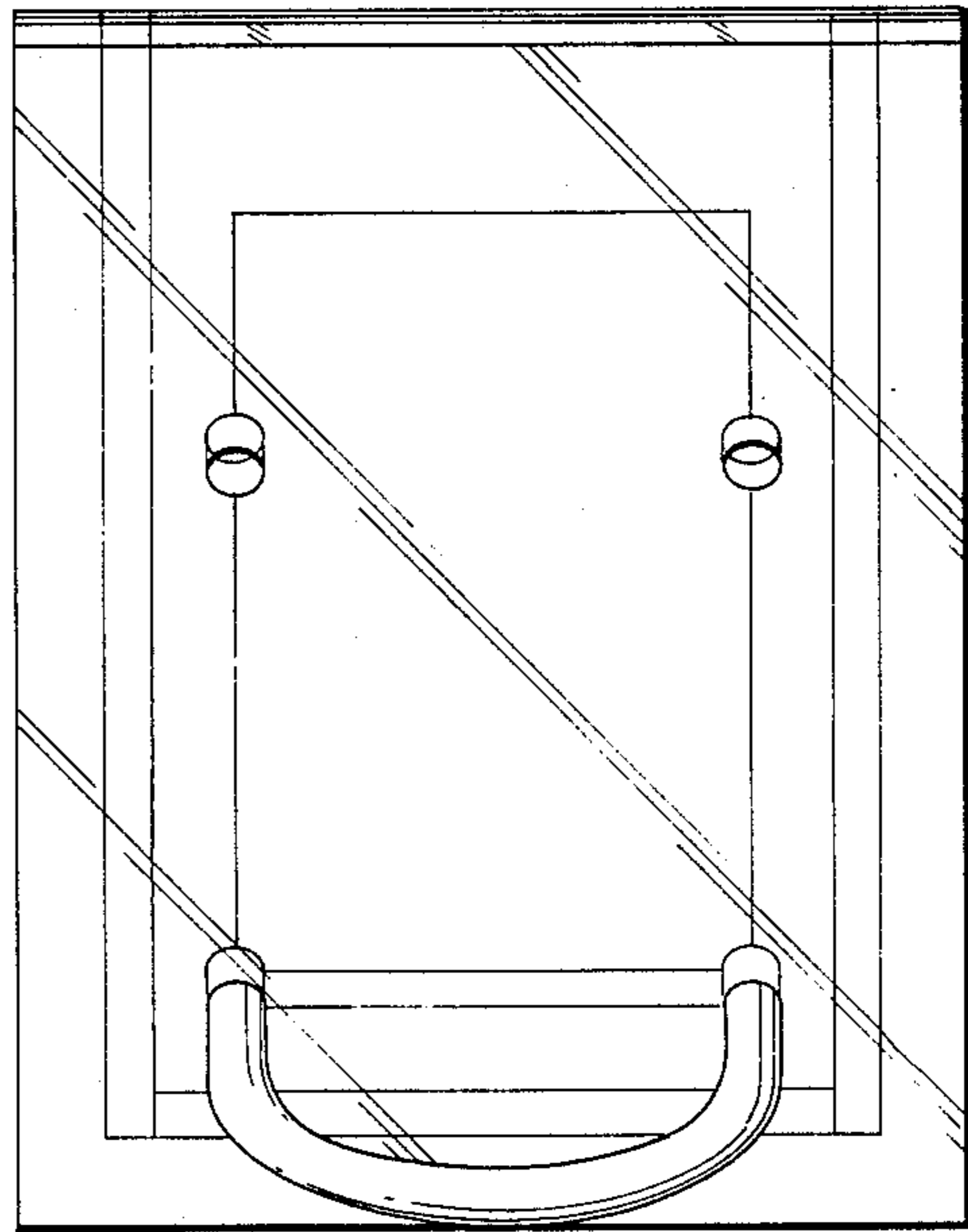
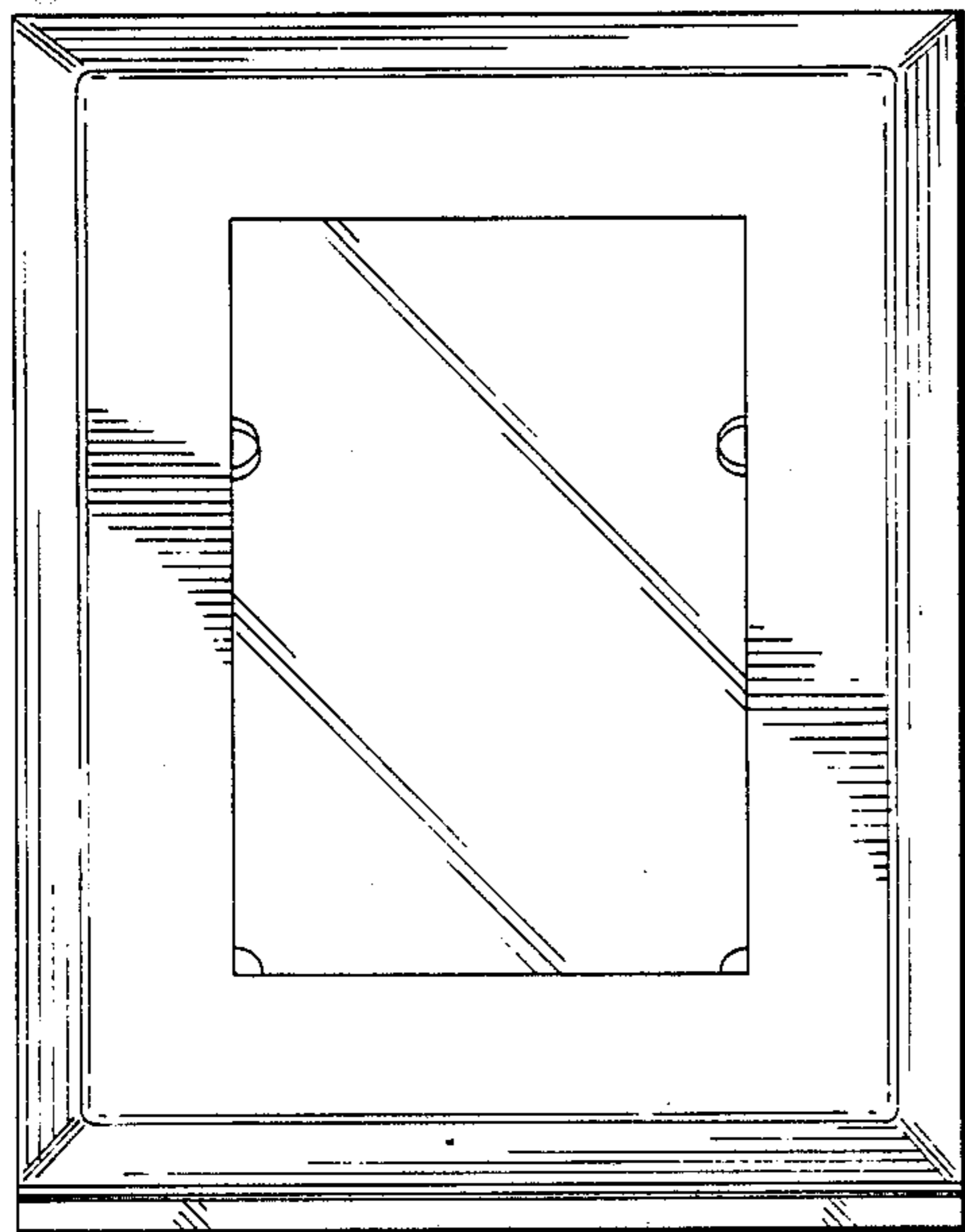
Assistant Examiner—Terry A. Pfeffer
Attorney, Agent, or Firm—Bacon & Thomas

[57] CLAIM

The ornamental design for a photograph frame mount, as shown and described.

DESCRIPTION

FIG. 1 is a front elevation view of a photograph frame mount showing my new design;
FIG. 2 is a rear elevational view thereof;
FIG. 3 is a left side elevational view thereof;
FIG. 4 is a right side elevational view thereof;
FIG. 5 is a top plan view thereof;
FIG. 6 is a bottom plan view thereof;
FIG. 7 is a front perspective view thereof in a first alternate position; and
FIG. 8 is a front perspective view thereof in a second alternate position.



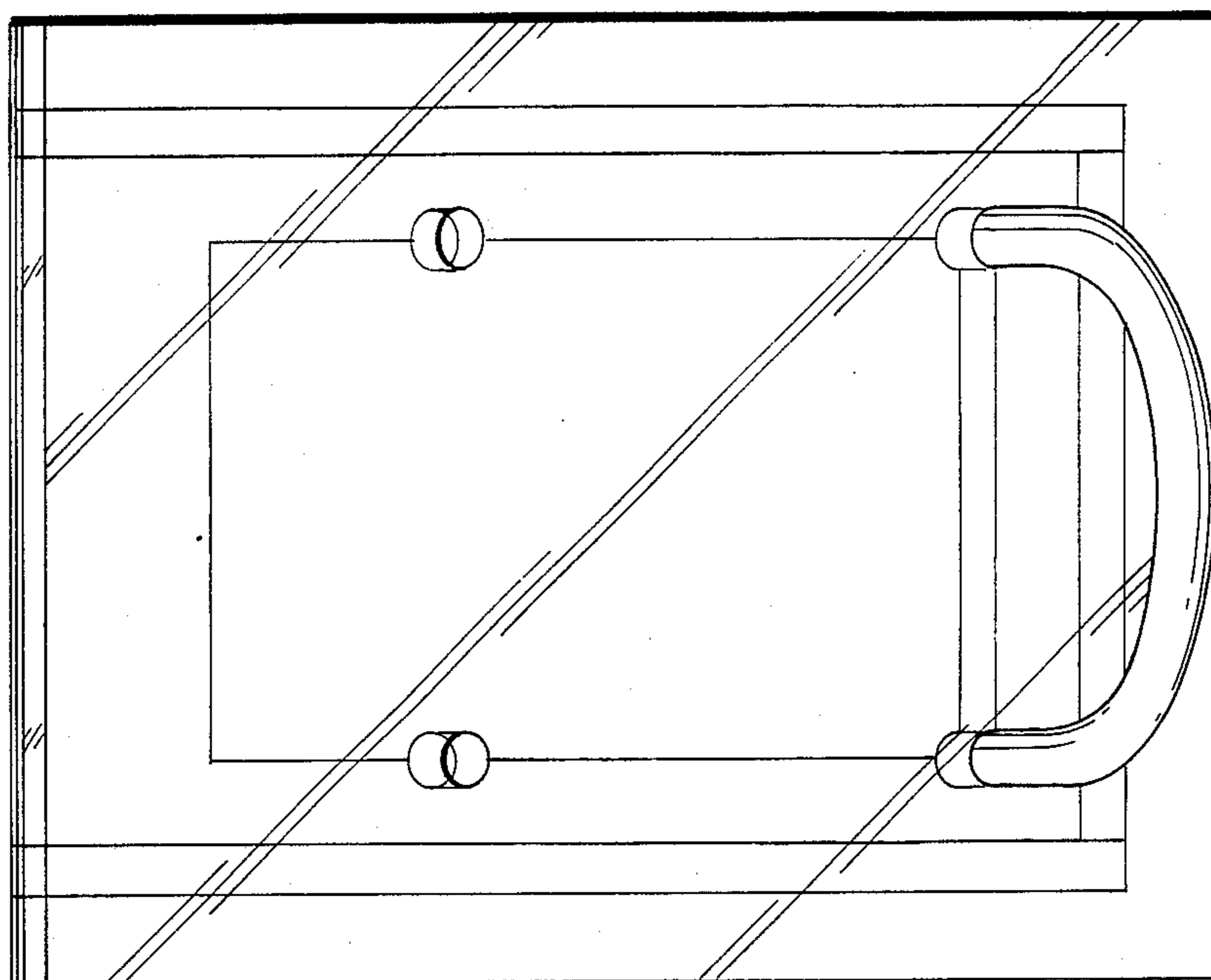


FIG. 2

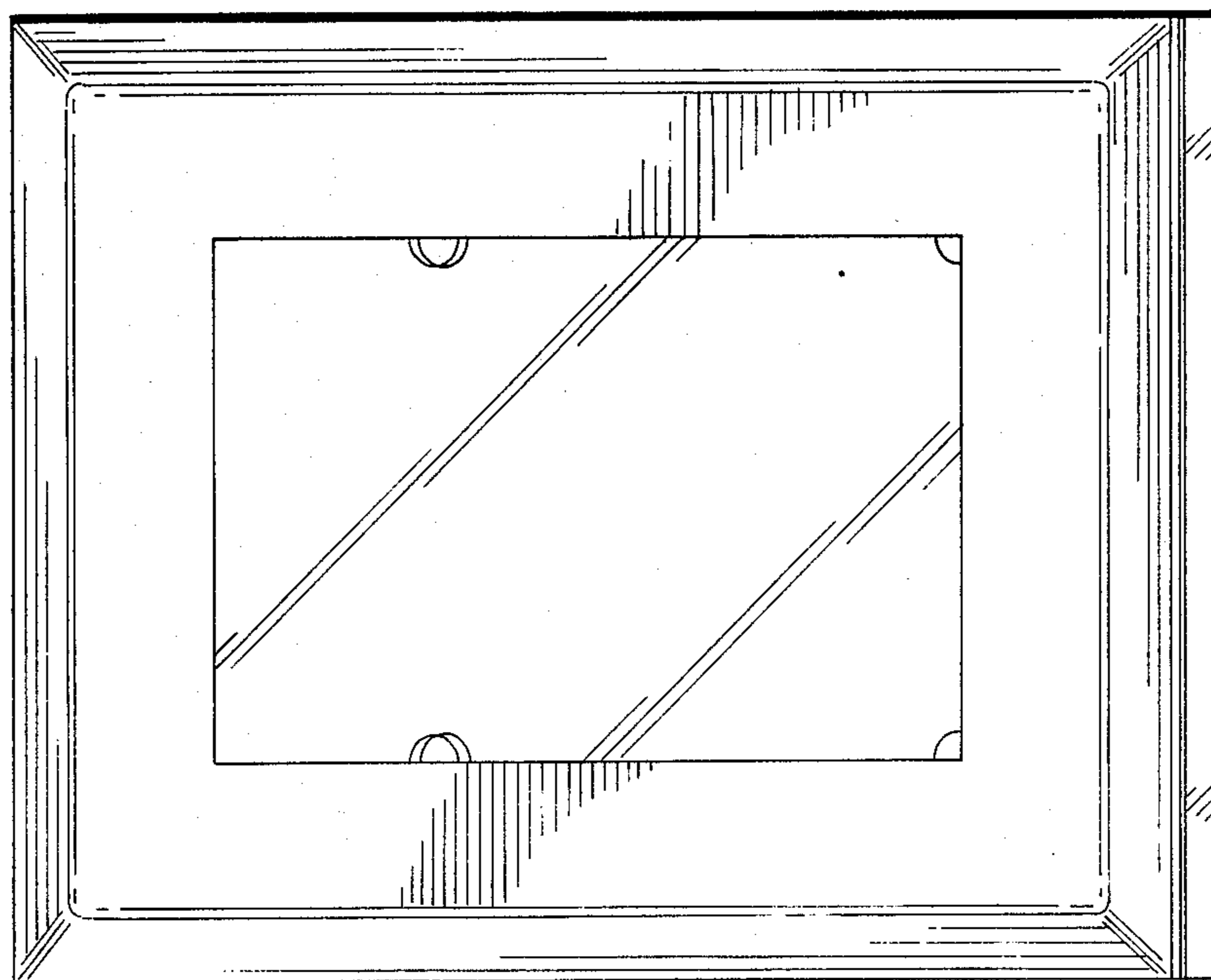


FIG. 1

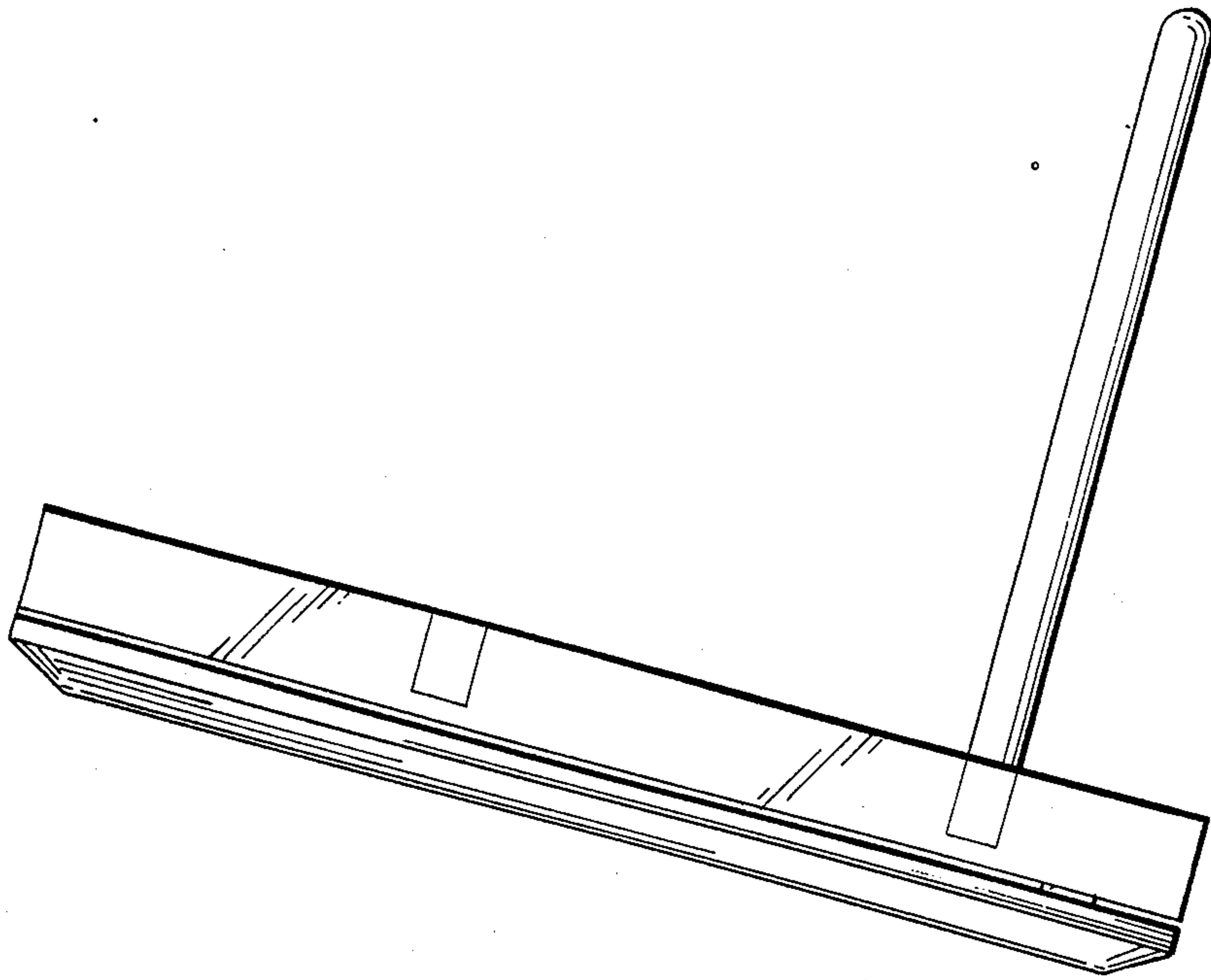


FIG. 4

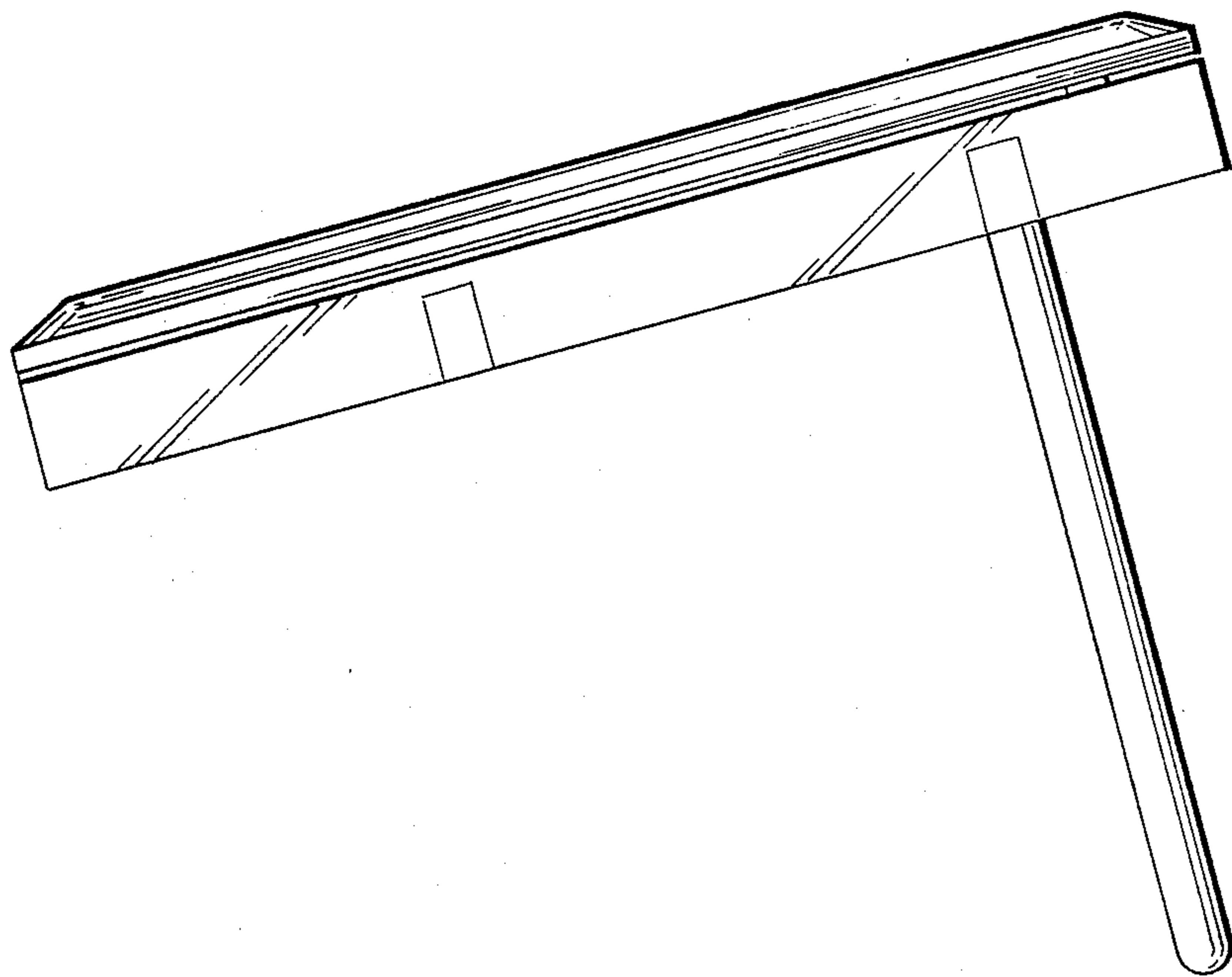


FIG. 3

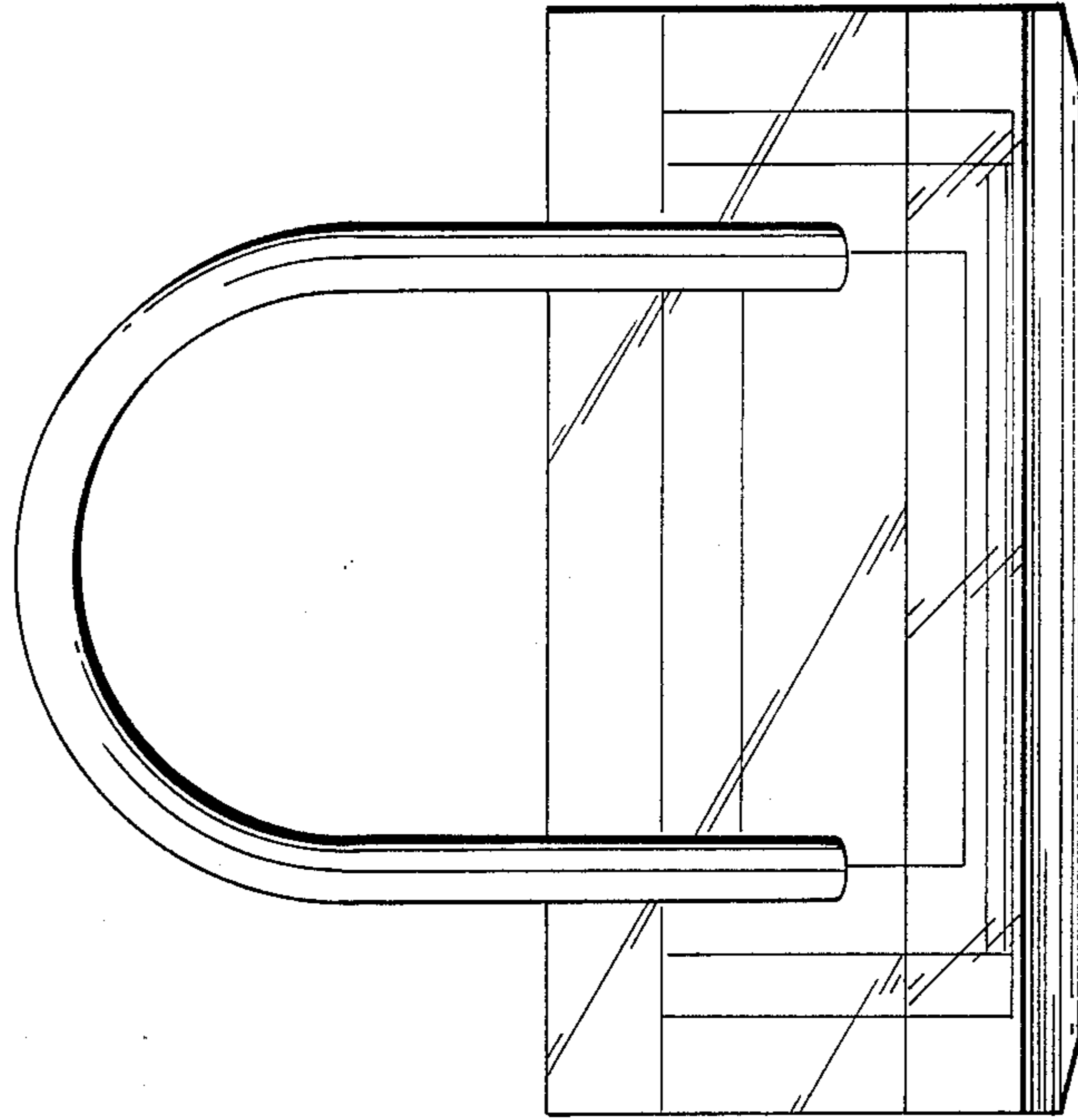


FIG. 5

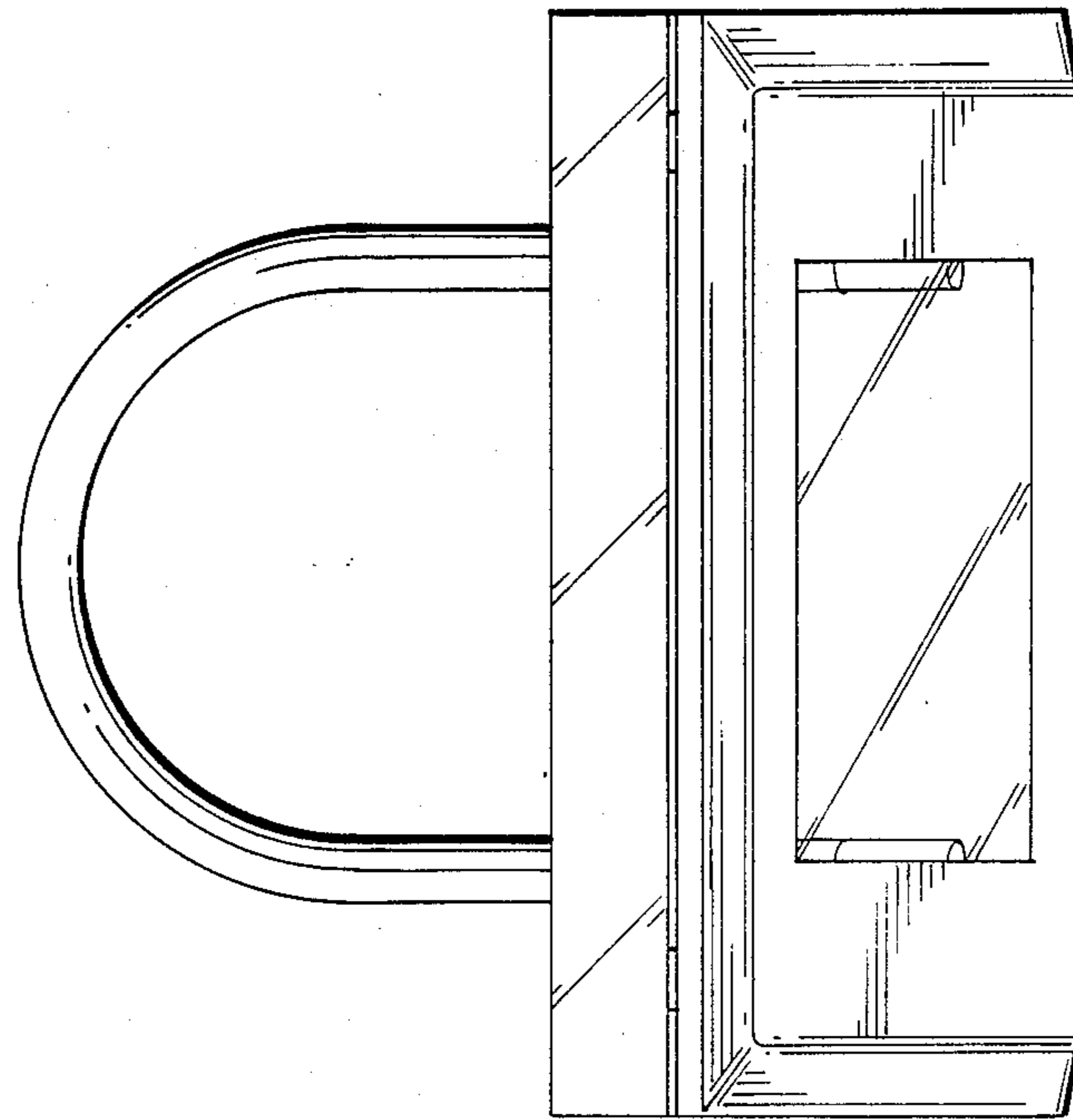


FIG. 6

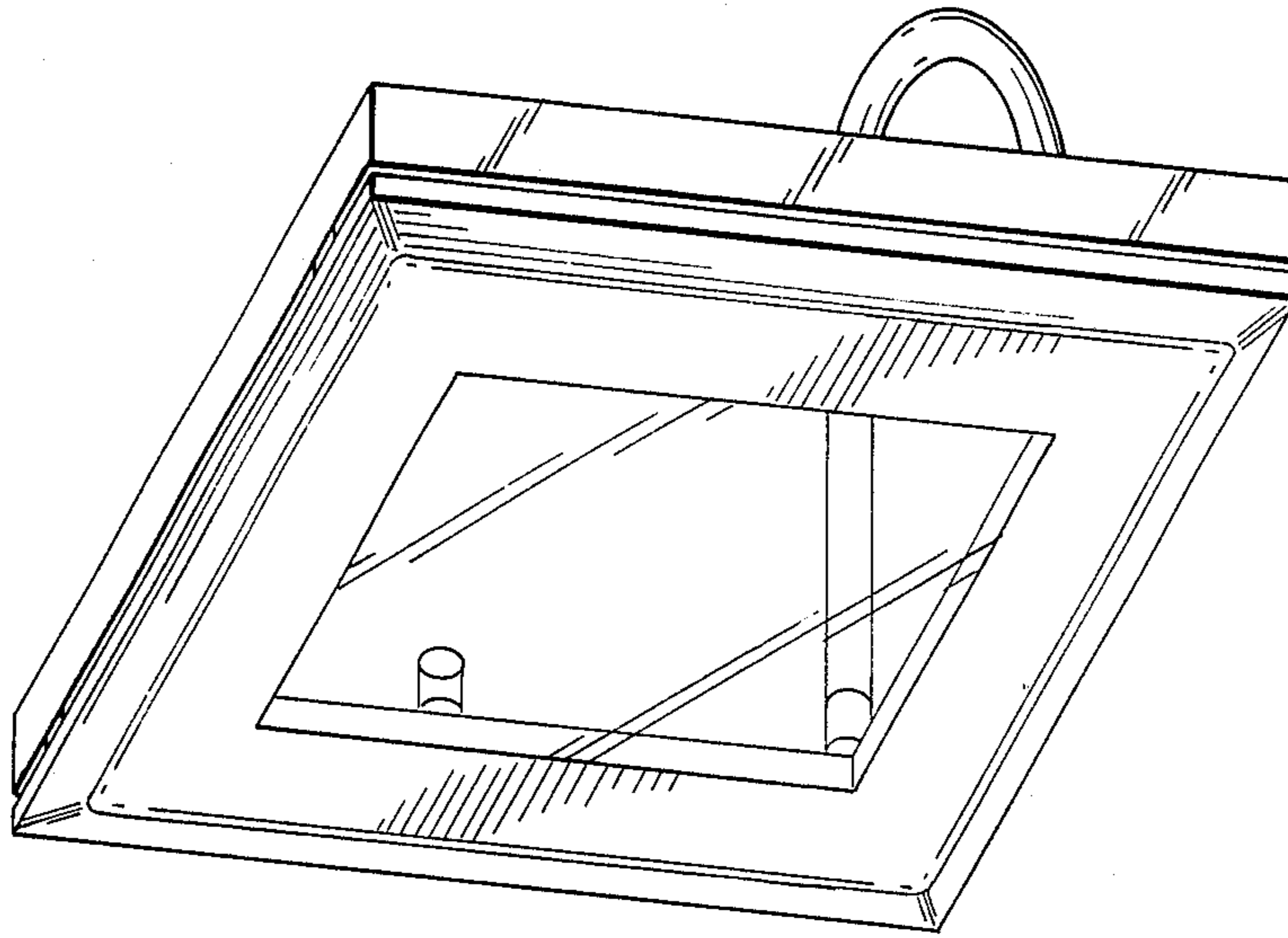


FIG. 8

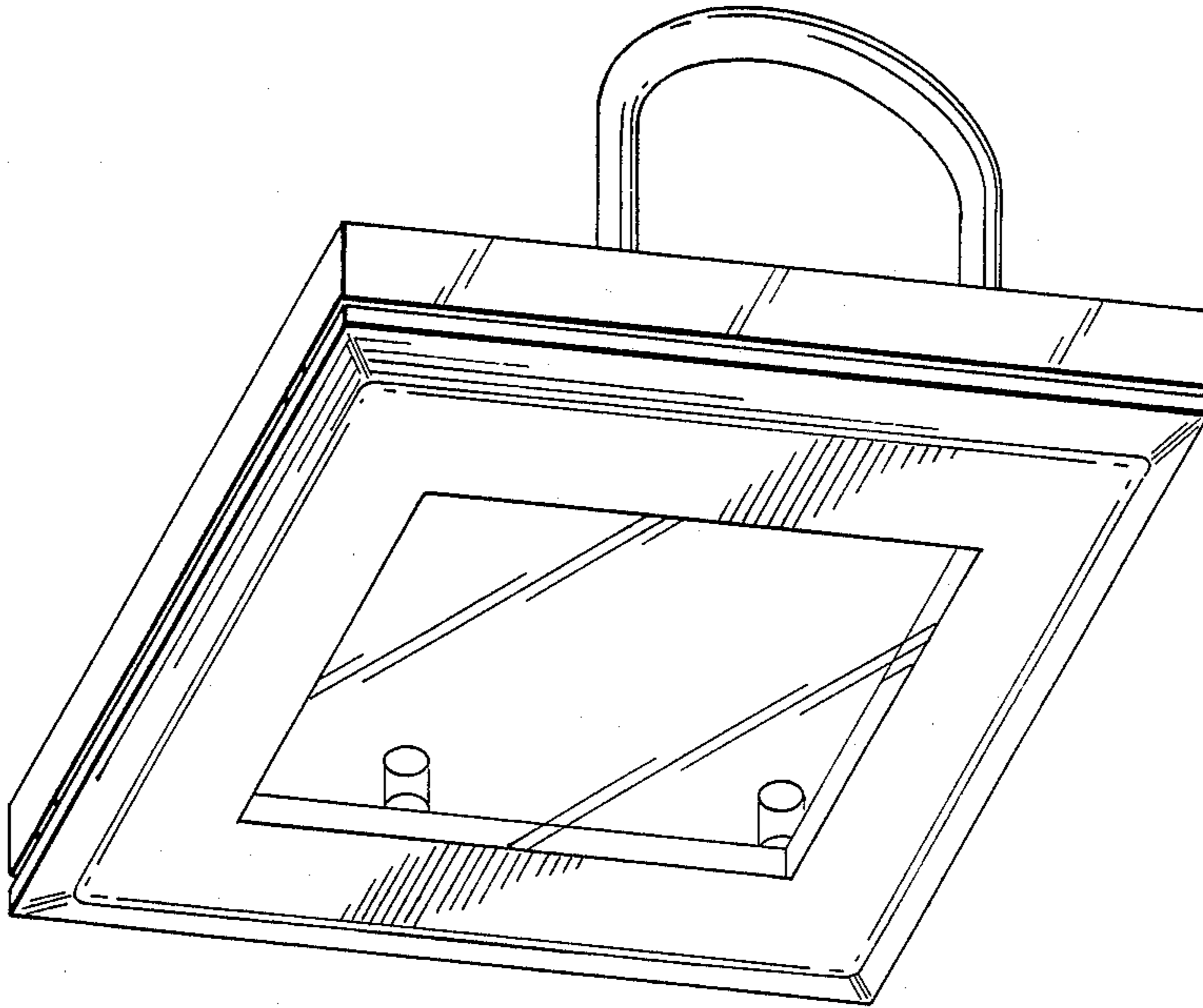


FIG. 7