

[54] UMBRELLA BASE

1,735,671 11/1929 Bunker 248/188.1
1,844,854 2/1932 Horton 220/69
3,470,663 10/1969 Tate 248/188.3

[75] Inventors: Dennis Taliani, Hoffman Estates;
George L. Garcia, Naperville, both of Ill.

OTHER PUBLICATIONS

Tropitone Outdoor Furniture Brochure, 3/7/75, p. 2 Umbrella base at top of page 2.

[73] Assignee: Suncoast Corporation, Batavia, Ill.

Primary Examiner—Nelson C. Holtje
Assistant Examiner—Antoine D. Davis
Attorney, Agent, or Firm—Fitch, Even, Tabin & Flannery

[**] Term: 14 Years

[21] Appl. No.: 890,567

[22] Filed: Jul. 30, 1986

[52] U.S. Cl. D3/10

[58] Field of Search 3/5, 10; 6/495, 496;
248/1, 188.1, 188.3, 188.8; 211/62

[57] CLAIM

The ornamental design for an umbrella base, as shown and described.

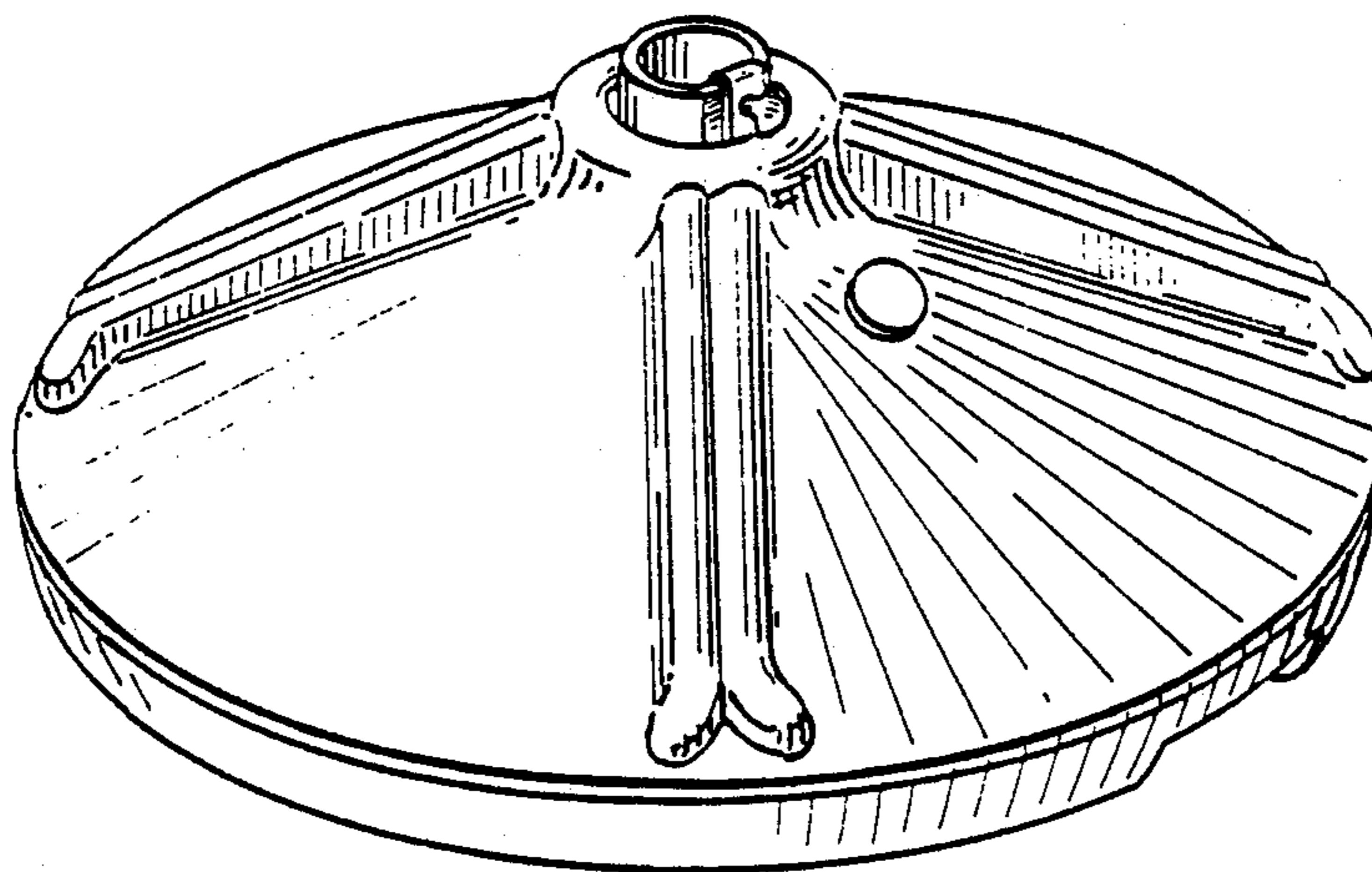
[56] References Cited

DESCRIPTION

U.S. PATENT DOCUMENTS

D. 56,668 11/1920 Levin D3/10
D. 209,651 12/1967 Meyer D3/5
D. 243,986 4/1977 O'Leary, Jr. D6/495
D. 281,300 11/1985 Glück D6/495

FIG. 1 is a top, front perspective view of the umbrella base showing our new design;
FIG. 2 is a top plan view thereof;
FIG. 3 is a front elevational view thereof;
FIG. 4 is a bottom plan view thereof.



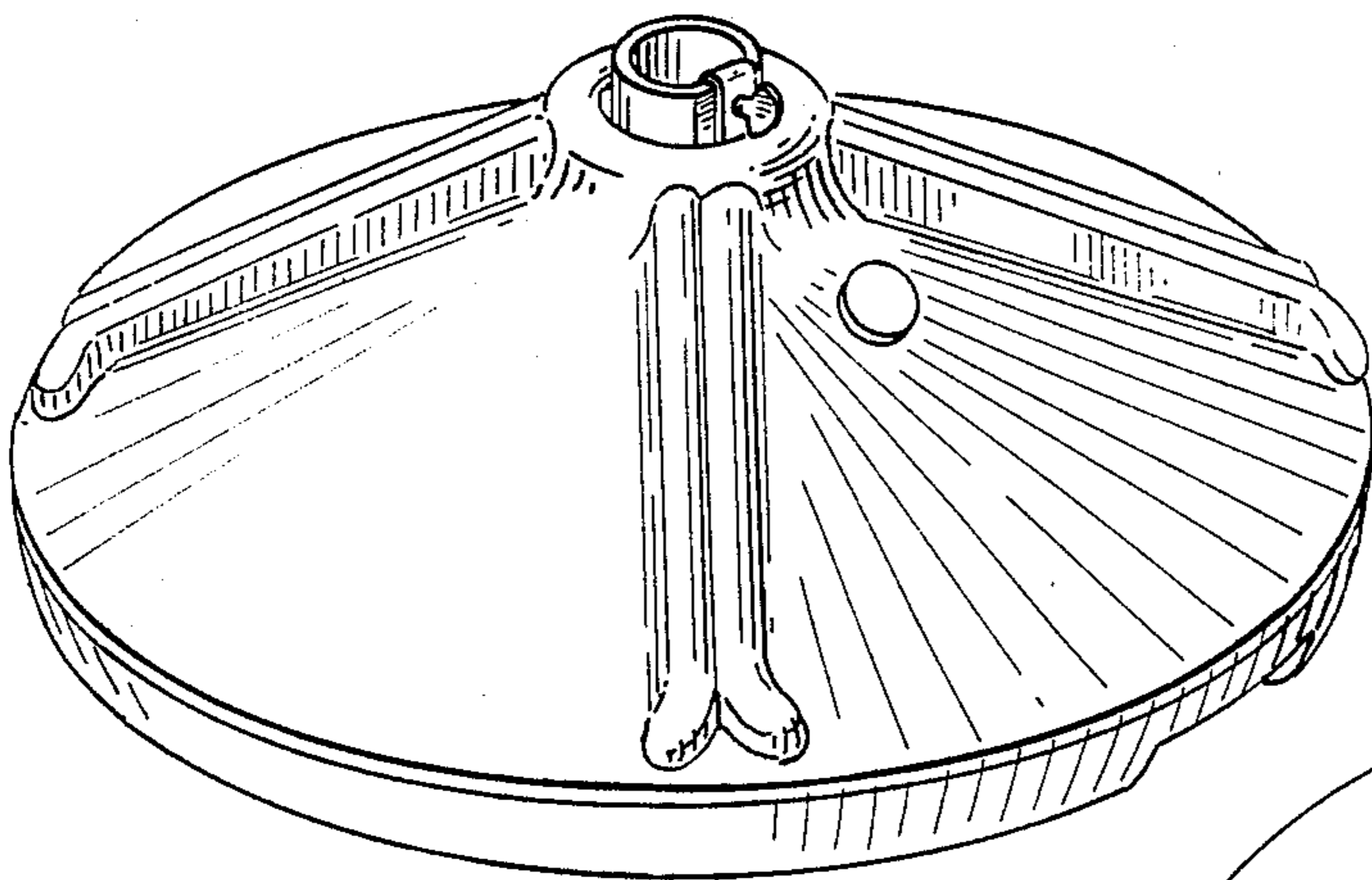


FIG. 1

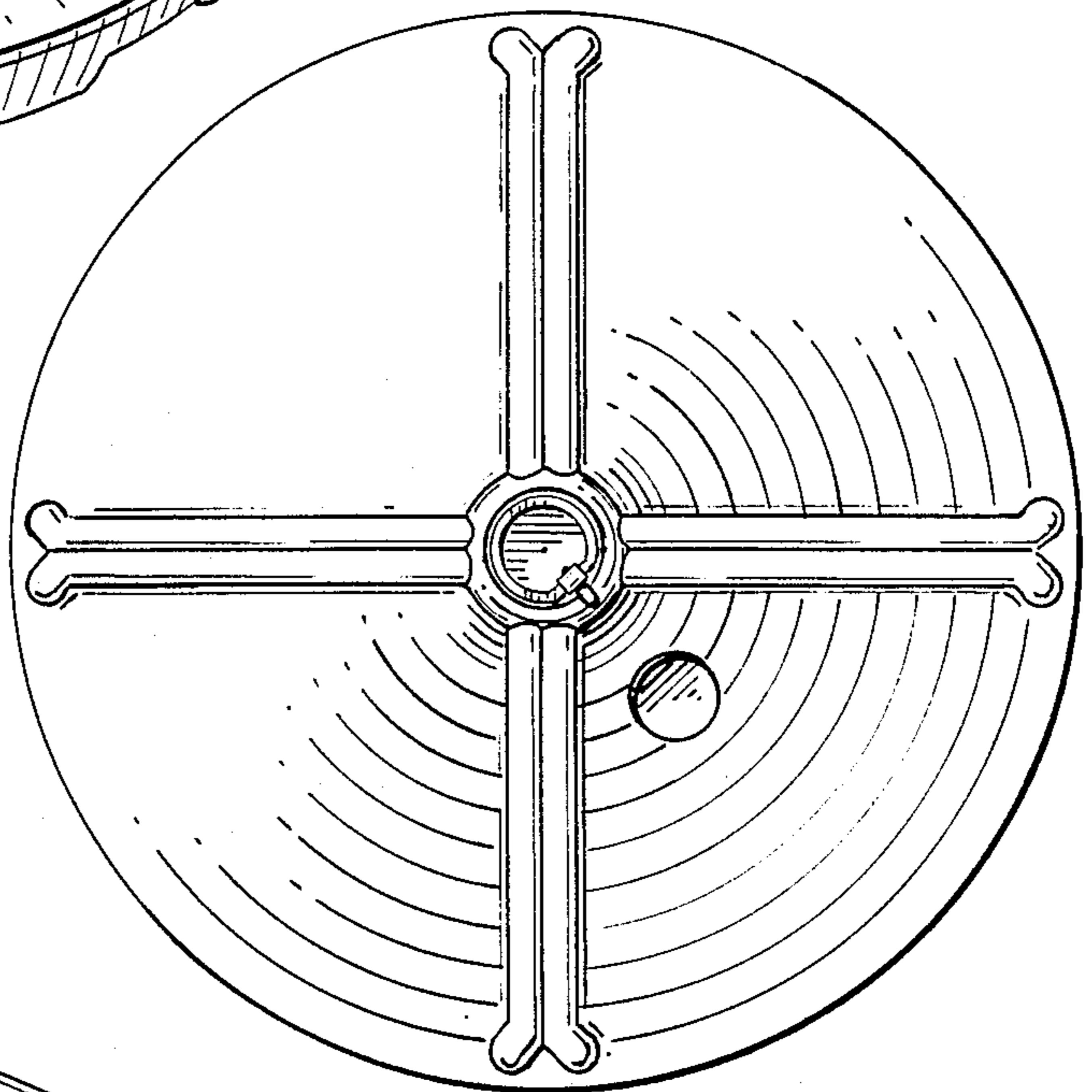


FIG. 2

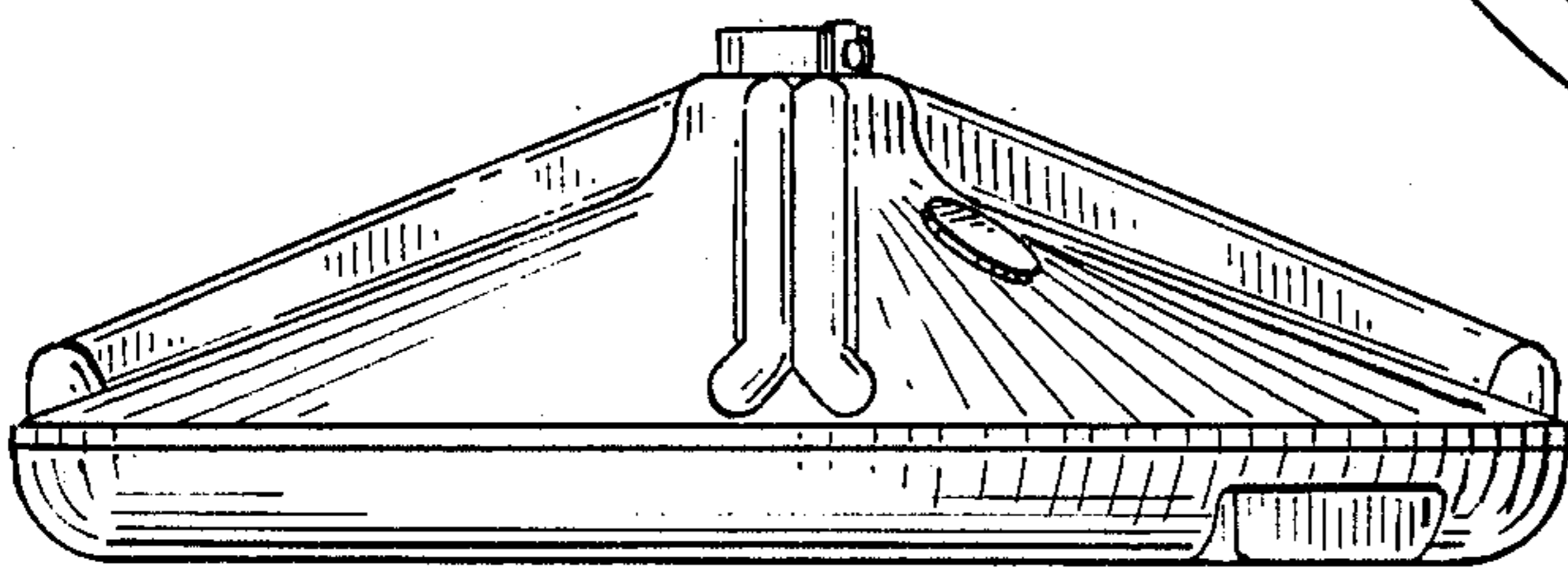


FIG. 3

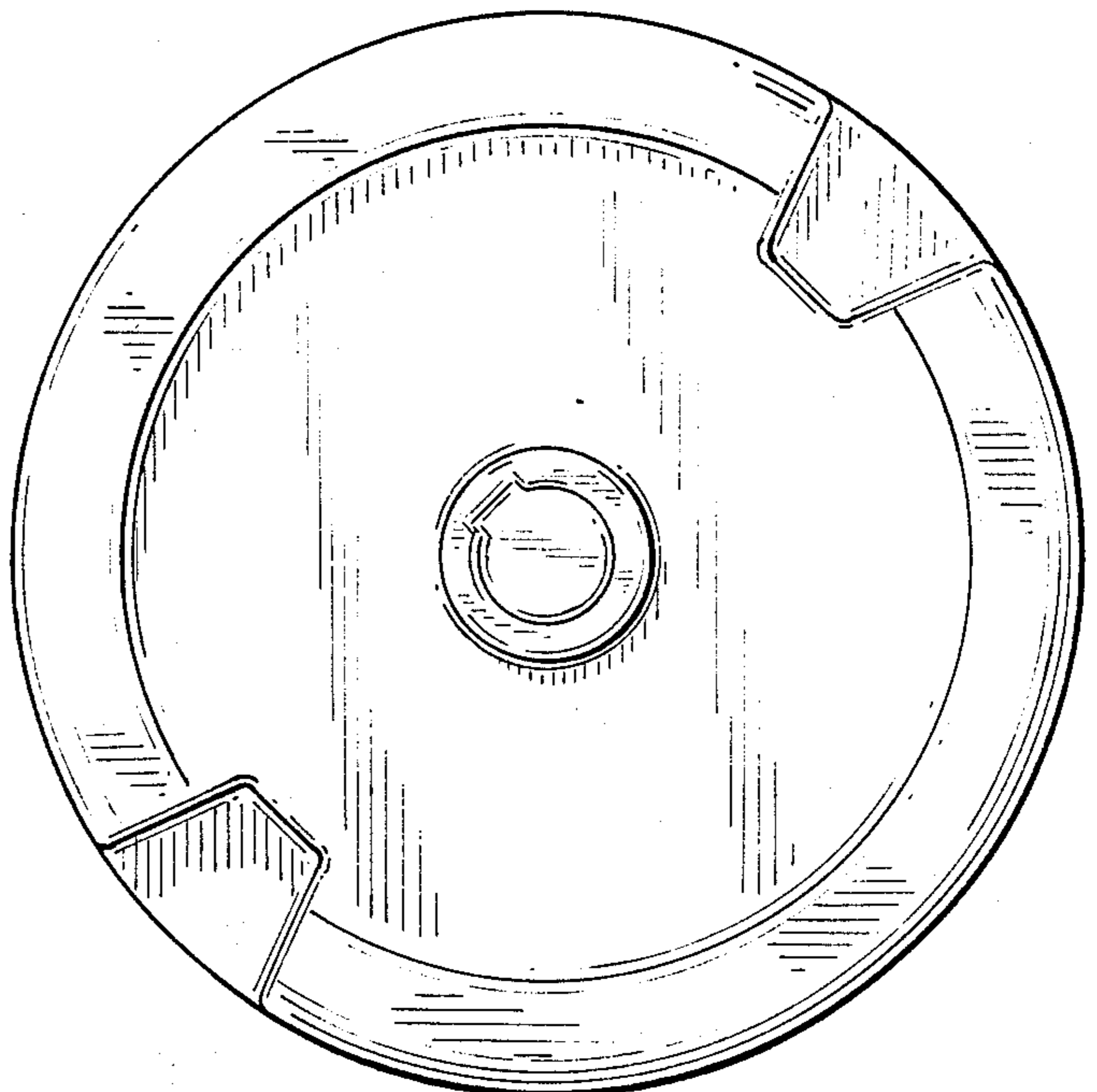


FIG. 4