

[54] LIPSTICK CASE OR SIMILAR ARTICLE

[75] Inventor: Fo-Chun Chen, Chang-Hua, Taiwan

[73] Assignee: Chuan Hsiang Tang Chemical Co., Ltd., Chang-Hua, Taiwan

[**] Term: 14 Years

[21] Appl. No.: 174,526

[22] Filed: Mar. 28, 1988

[52] U.S. Cl. D28/87; D9/322; D9/337

[58] Field of Search D28/6, 79, 87; D6/539, D6/557; D7/5, 301-302; D9/307, 322; D11/149, 157, 184; D19/34.3; D21/119, 109, 114, 119; D27/177, 182; D99/21, 41; 222/78; 215/1 R, 1 C; 206/235, 385, 581, 37; 220/DIG. 26; 401/49-117

[56] References Cited

U.S. PATENT DOCUMENTS

D. 8,655	9/1875	Croteau	D99/41 X
D. 22,138	1/1893	Librowicz	D9/322
D. 77,742	12/1928	Corotneff	D9/322
D. 118,593	10/1939	DuPree	D9/322
D. 123,422	2/1940	Schlicker	D28/78

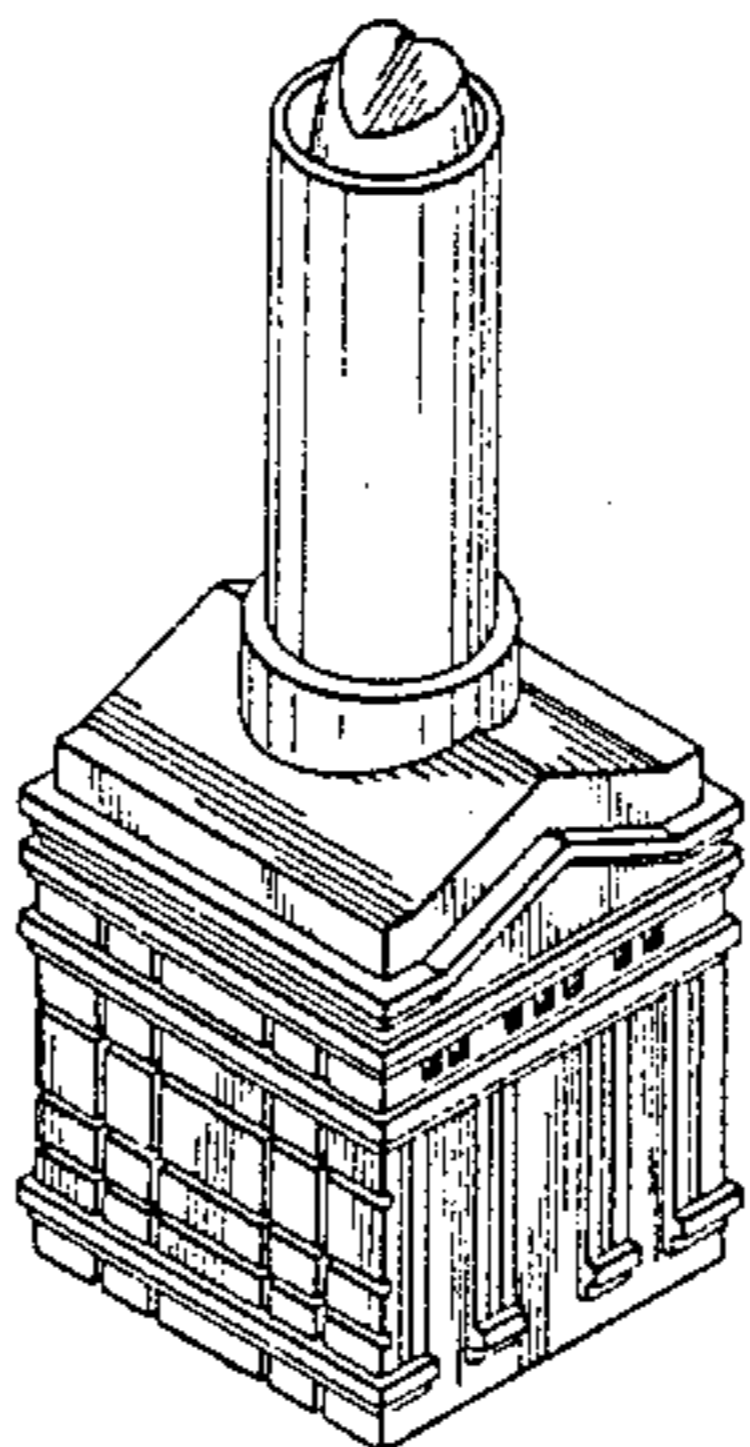
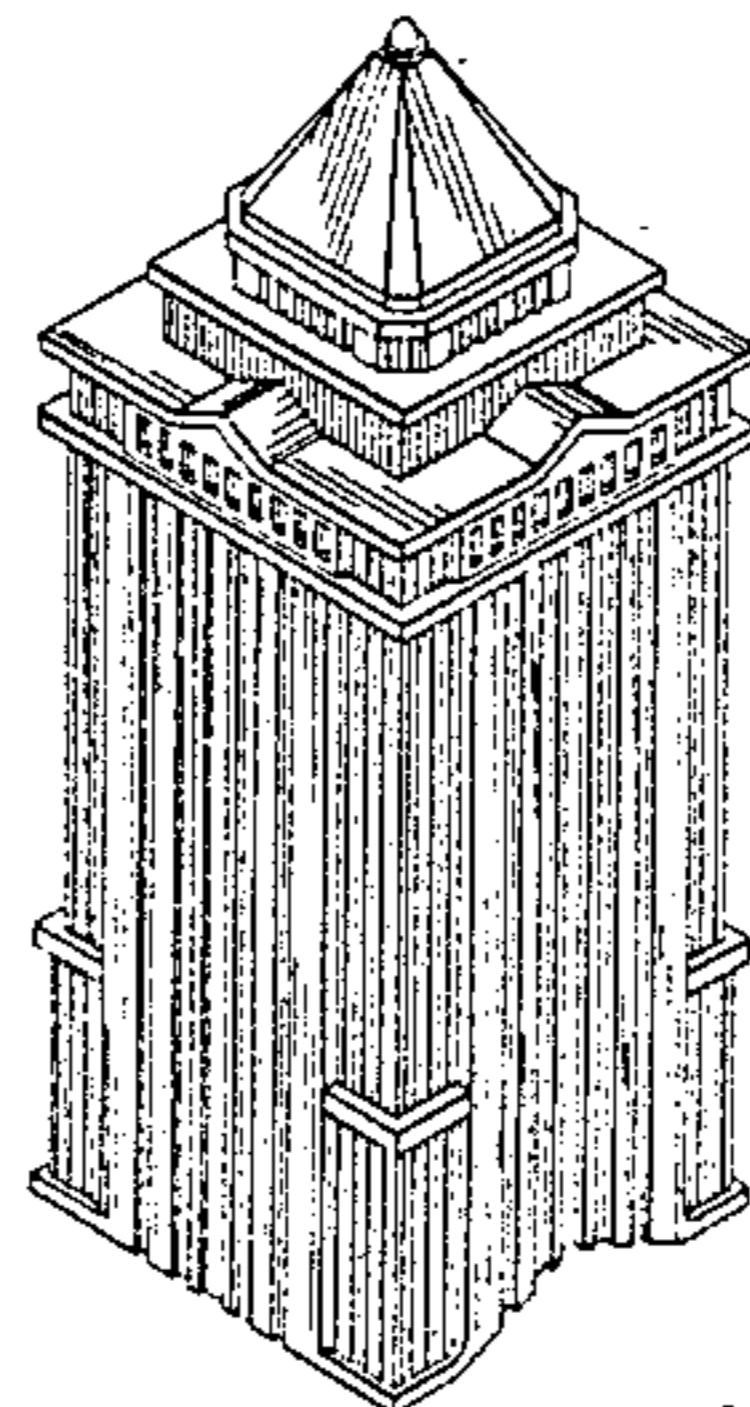
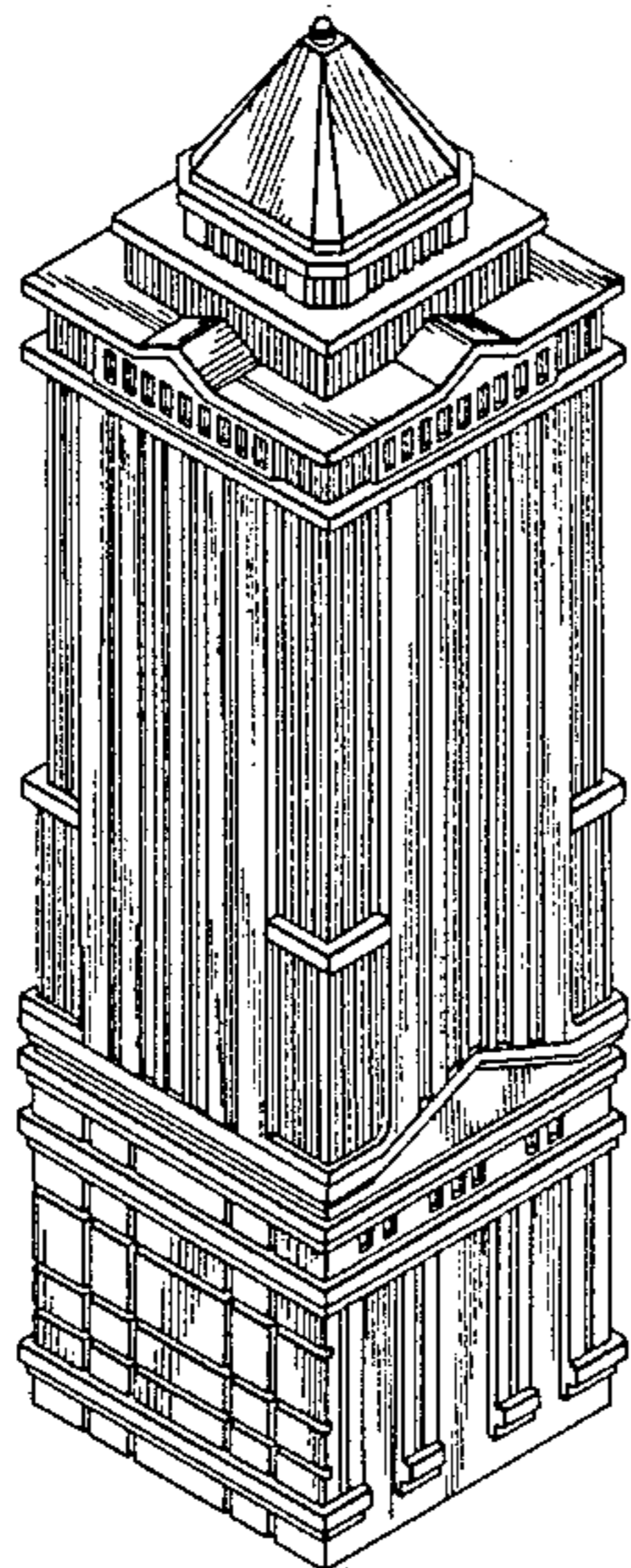
Primary Examiner—Bernard Ansher
Assistant Examiner—C. Tuttle
Attorney, Agent, or Firm—Marshall & Melhorn

[57] CLAIM

The ornamental design for lipstick case or similar article, as shown and described.

DESCRIPTION

FIG. 1 is a perspective view of a lipstick case or similar article showing my new design; FIG. 2 is a front and rear elevational view thereof; FIG. 3 is a side view thereof; FIG. 4 is a top plan view thereof; FIG. 5 is a bottom plan view thereof; and FIG. 6 is an exploded perspective view thereof.



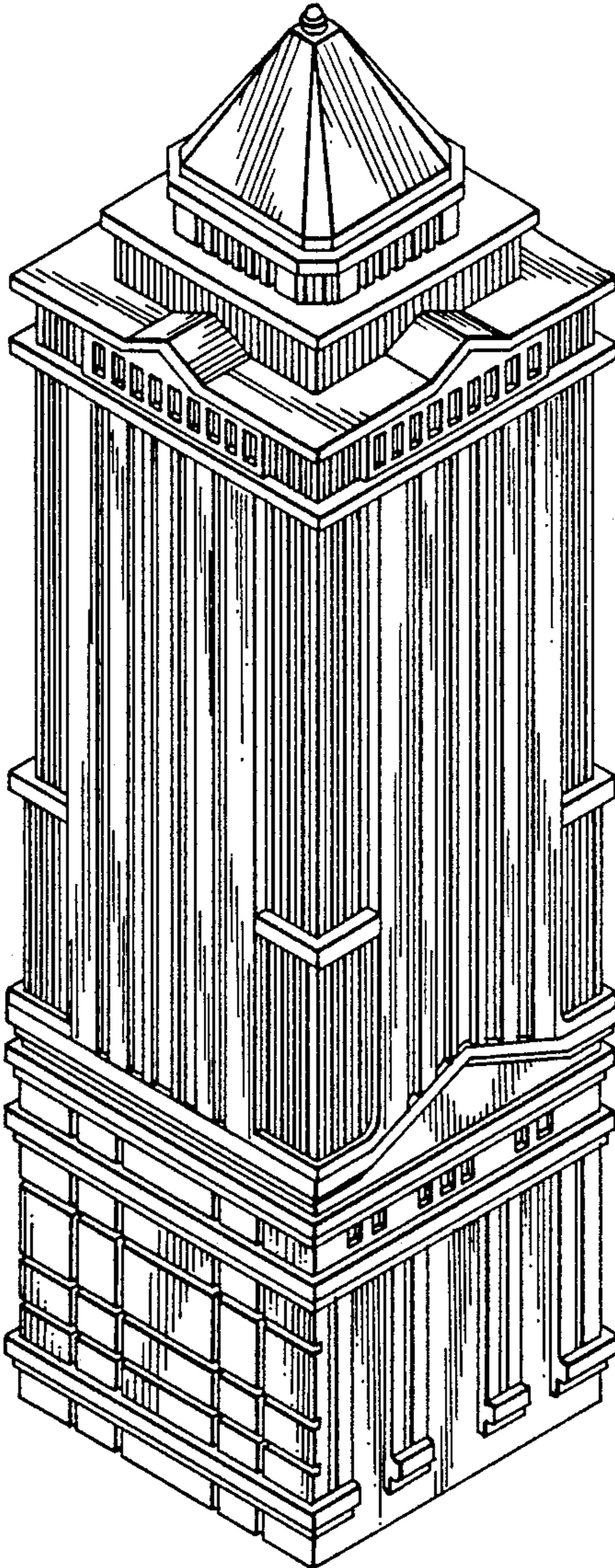


FIG. 1

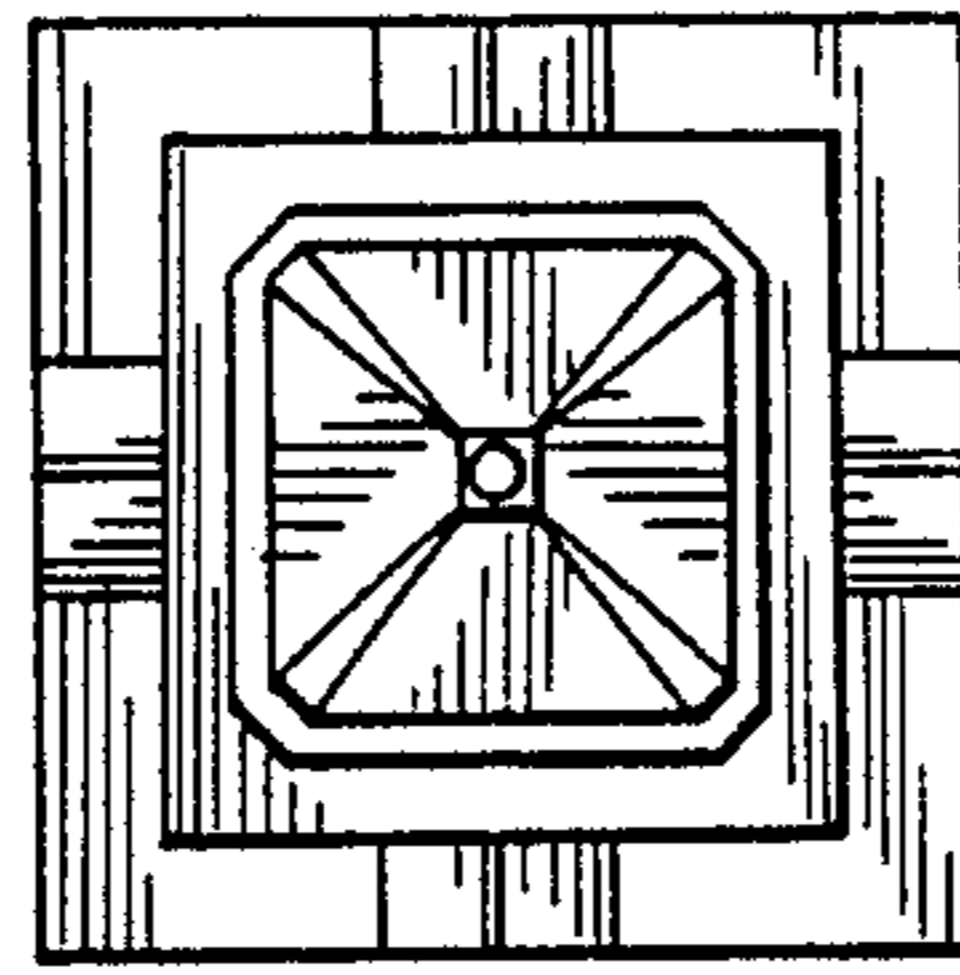


FIG. 4

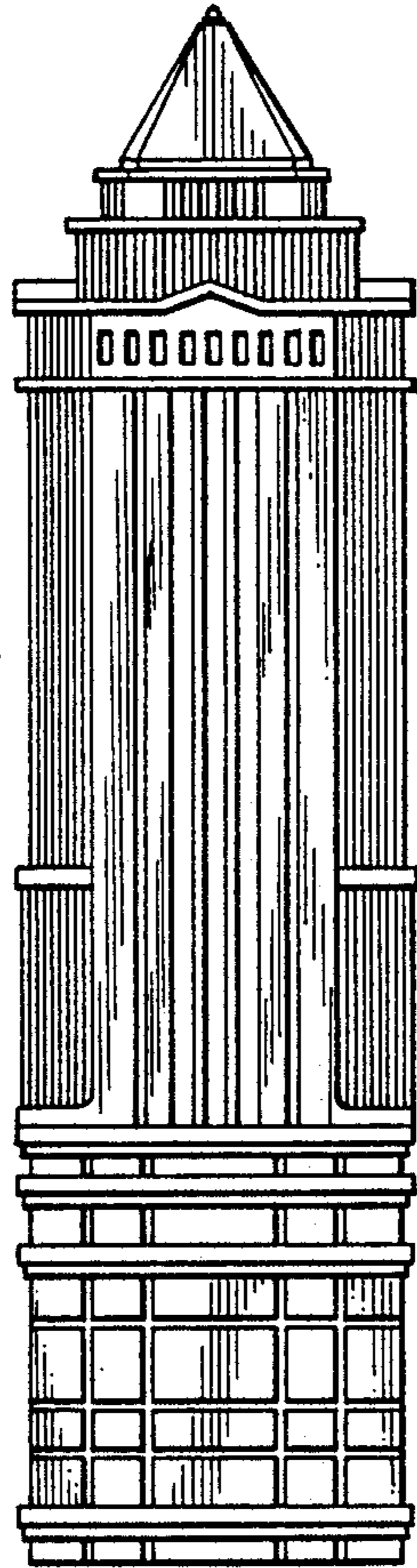


FIG. 3

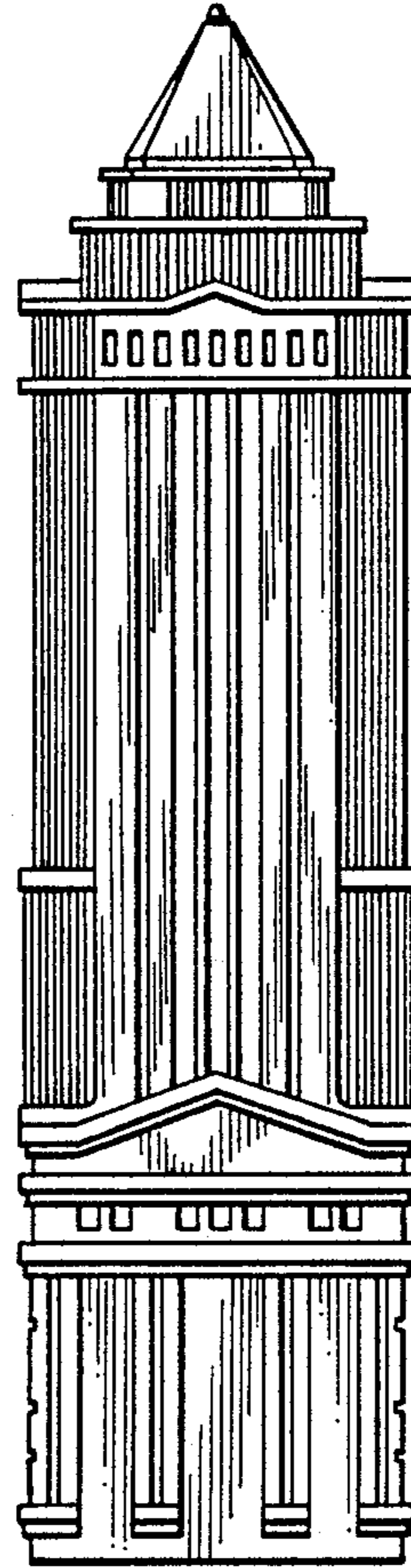


FIG. 2

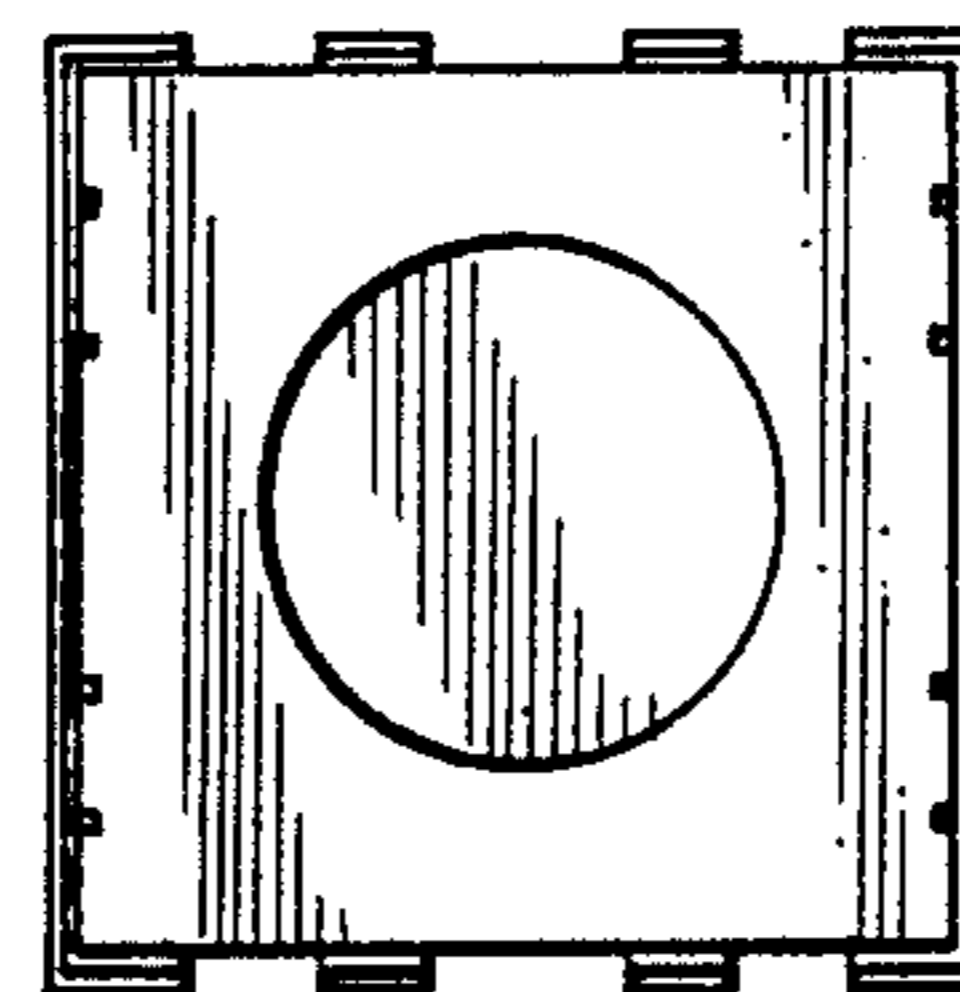


FIG. 5

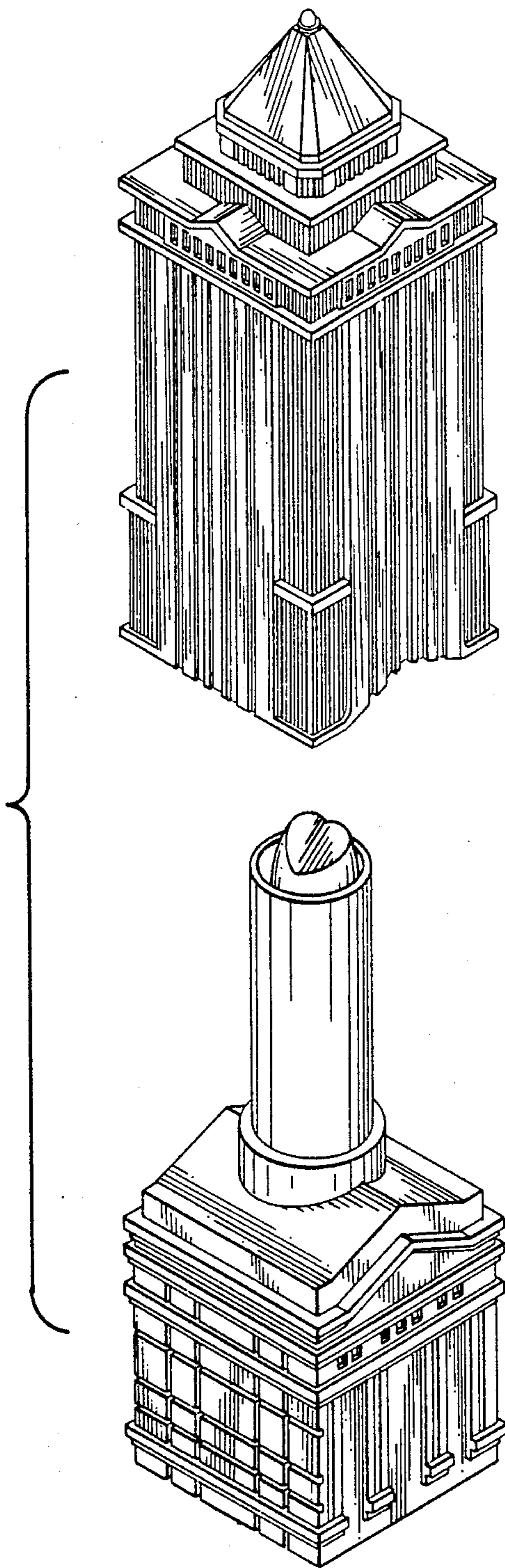


FIG. 6