

[54] **LIGHTING FIXTURE**

[75] **Inventor: Tobias Brown, Oak Park, Ill.**

[73] **Assignee: Alkco Manufacturing Company, Franklin Park, Ill.**

[**] **Term: 14 Years**

[21] **Appl. No.: 890,839**

[22] **Filed: Jul. 28, 1986**

[52] **U.S. Cl. D26/85; D26/72**

[58] **Field of Search D26/72, 80-92, D26/24; 362/432, 362, 370-373, 310, 311, 147**

[56] **References Cited**

U.S. PATENT DOCUMENTS

| | | | |
|------------|--------|----------------|-----------|
| D. 267,516 | 1/1983 | Rambusch | D26/24 X |
| D. 268,441 | 3/1983 | Siff | D26/24 |
| 4,323,955 | 4/1982 | Mark | 362/310 X |

OTHER PUBLICATIONS

Nutone Lighting Catalog, 1982, p. 29, Wall Washer Lighting Fixture.

Primary Examiner—Susan J. Lucas
Attorney, Agent, or Firm—Pasquale A. Razzano

[57] **CLAIM**

The ornamental design for a lighting fixture, as shown and described.

DESCRIPTION

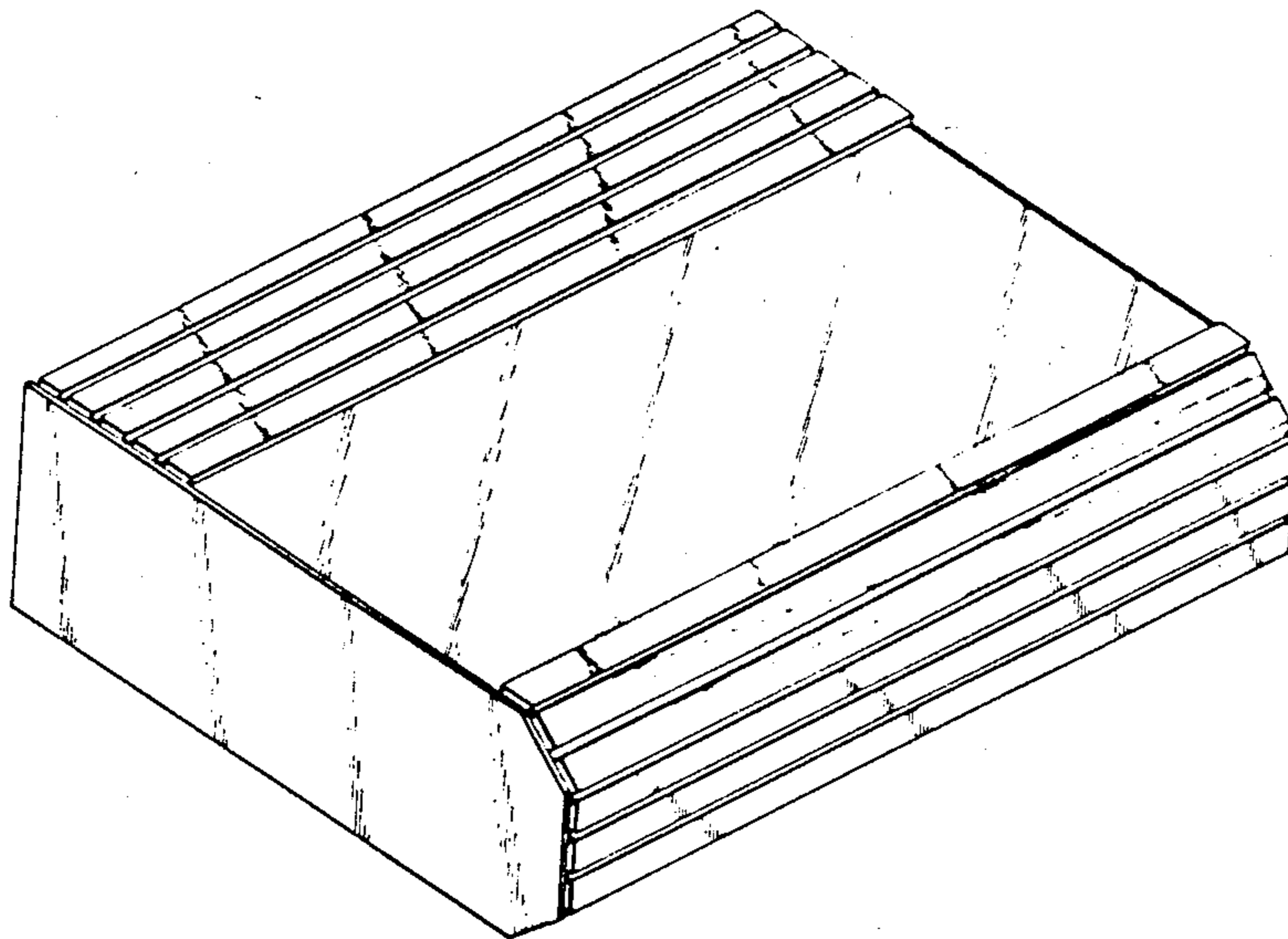
FIG. 1 is a top, front perspective view of the lighting fixture showing my new design;

FIG. 2 is a front elevational view thereon on an enlarged scale;

FIG. 3 is a top plan view thereof on an enlarged scale;

FIG. 4 is a side elevational view thereof on an enlarged scale;

FIG. 5 is a bottom plan view thereof on an enlarged scale.



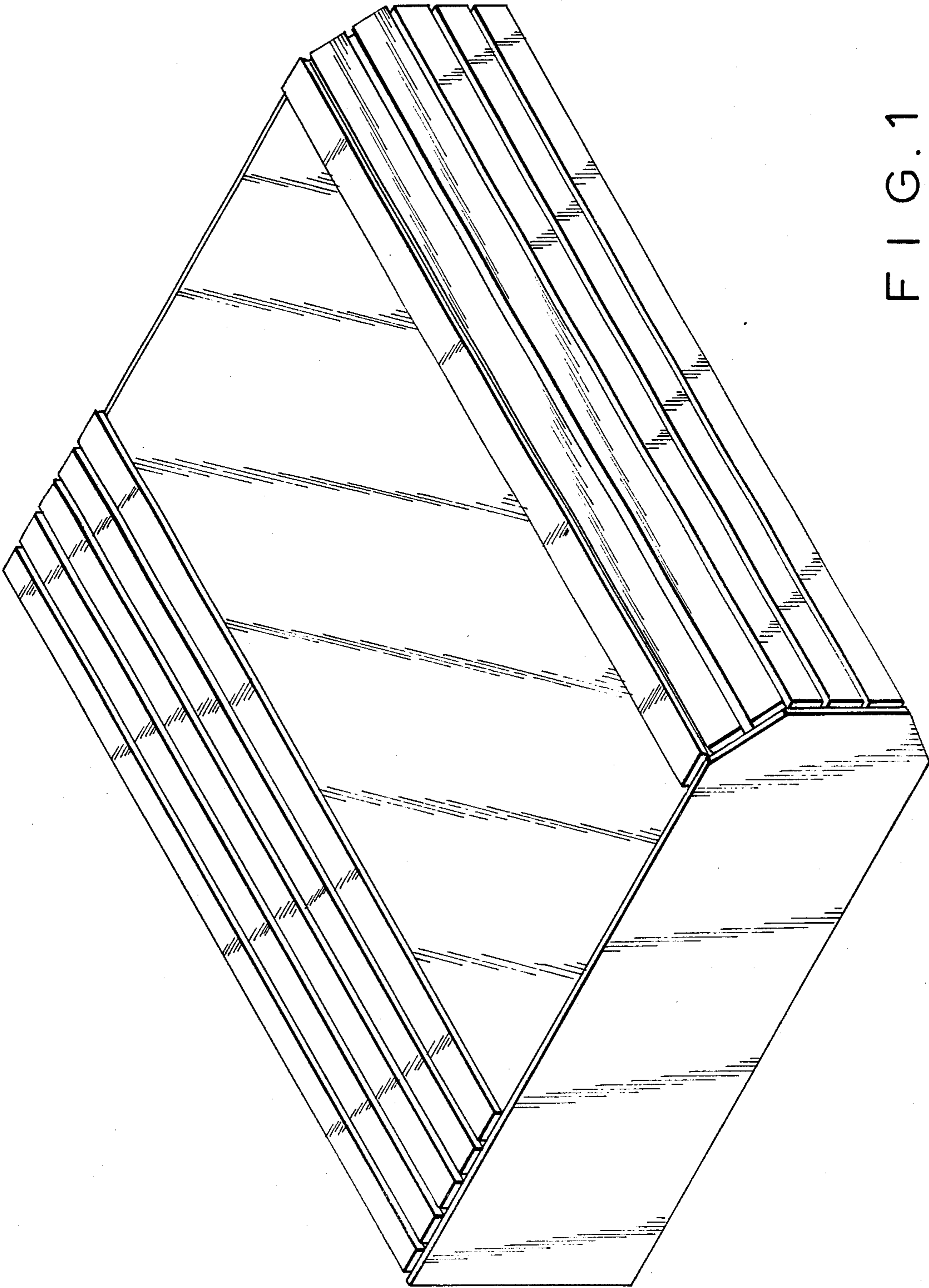


FIG. 1

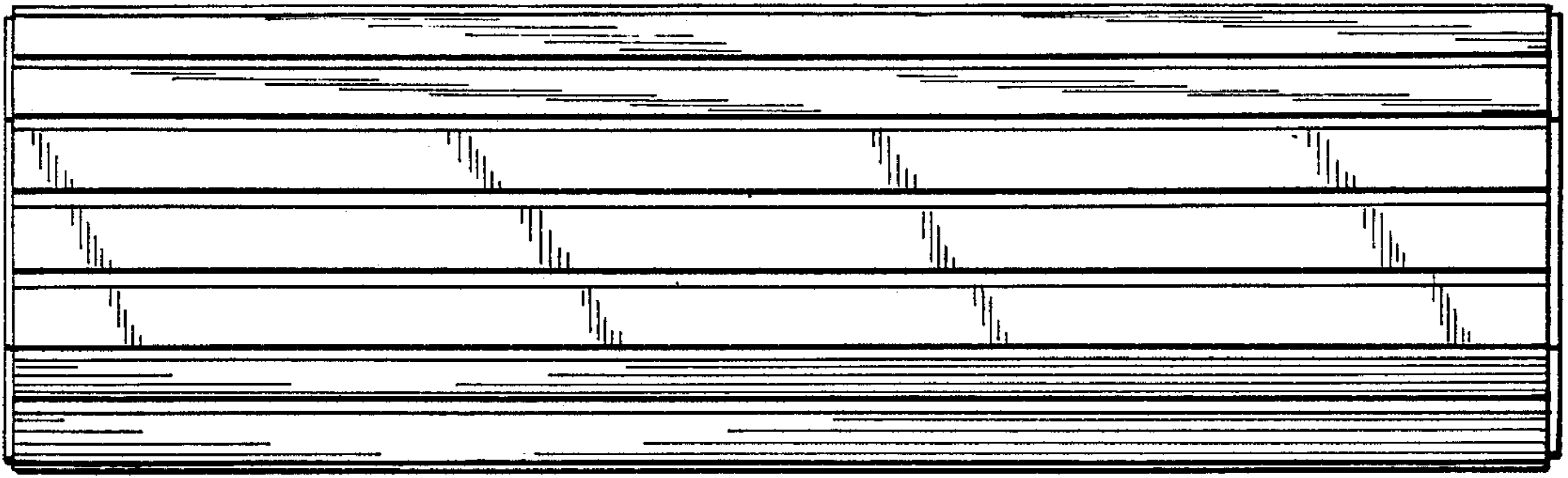


FIG. 2

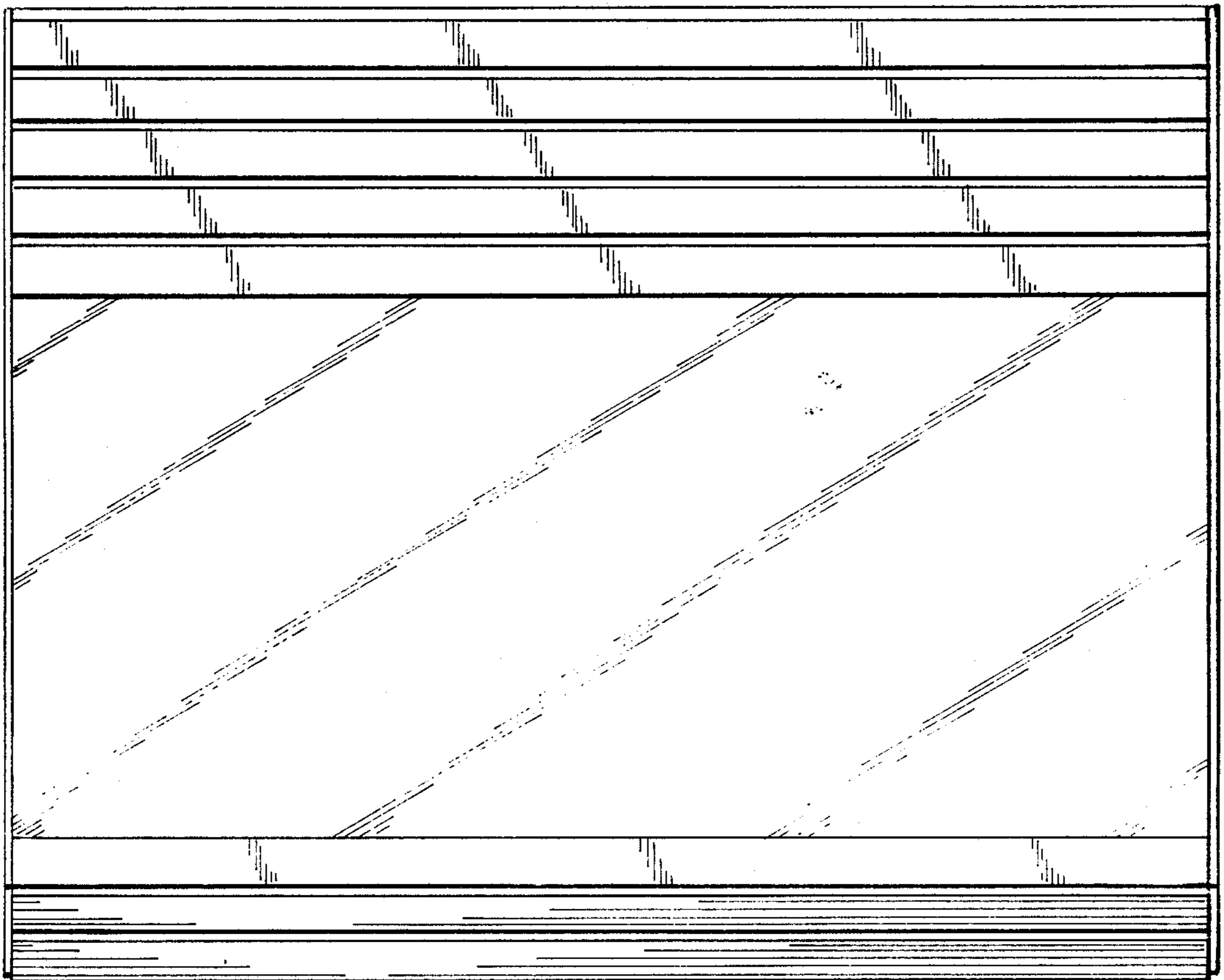


FIG. 3

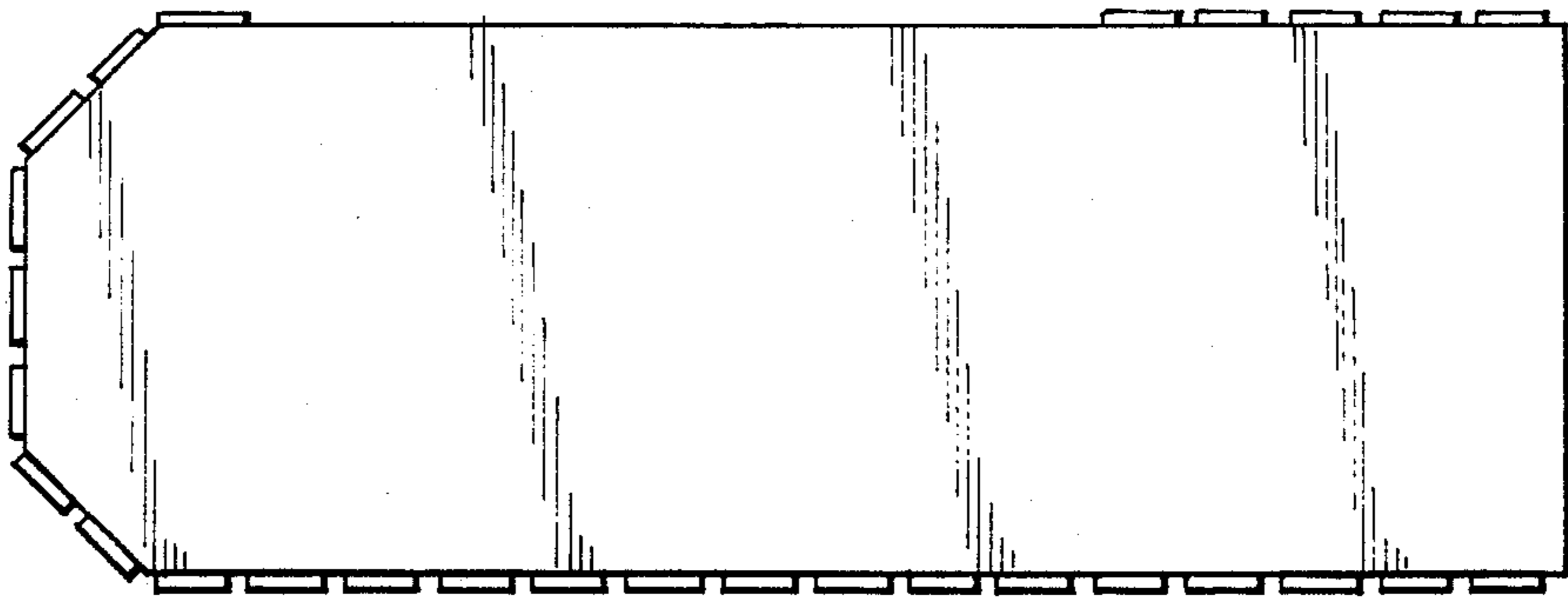


FIG. 4

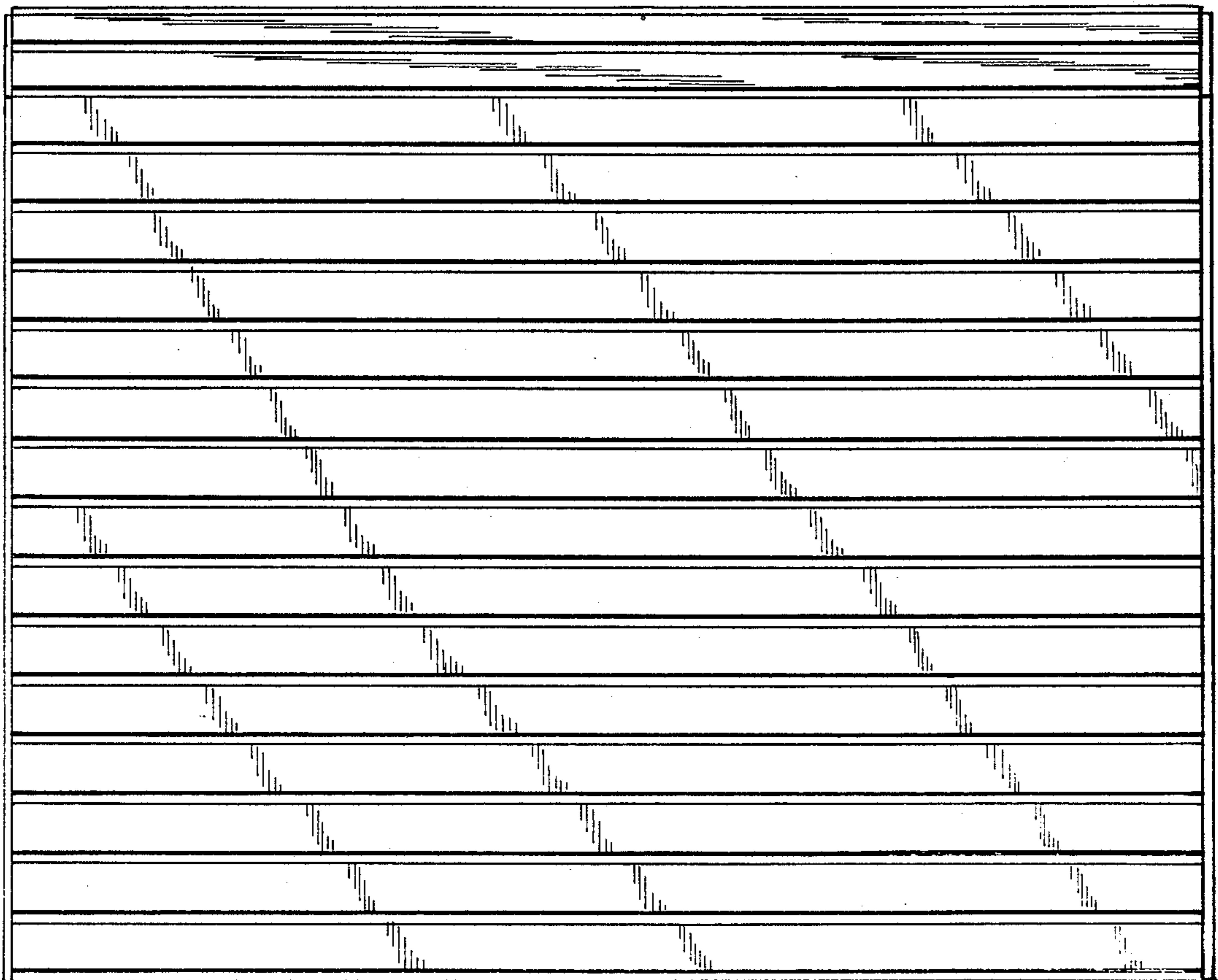


FIG. 5