

[54] REAR COMBINATION LAMP FOR AN AUTOMOBILE

[75] Inventor: Yoshihiro Hamasaki, Toyota, Japan

[73] Assignee: Toyota Jidosha Kabushiki Kaisha, Toyota, Japan

[\*\*] Term: 14 Years

[21] Appl. No.: 49,091

[22] Filed: May 13, 1987

[52] U.S. Cl. .... D26/35

[58] Field of Search ..... D26/28, 29, 34, 35, D26/36, 120, 122; 362/61, 80-83.4, 267, 330, 336, 337

[56] References Cited

U.S. PATENT DOCUMENTS

- D. 221,990 9/1971 Tixier .
- D. 273,234 3/1984 Luthe et al. .
- D. 279,929 7/1985 Teague et al. .... D26/122
- D. 285,122 8/1986 Fujita ..... D26/35
- D. 291,924 9/1987 Miyazaki ..... D26/28

- D. 293,032 12/1987 Hiranaka ..... D26/120
- 4,471,411 9/1984 Graham et al. .... 362/80
- 4,532,578 7/1985 Gaden et al. .... 362/80 X

FOREIGN PATENT DOCUMENTS

670678 1/1986 Japan .

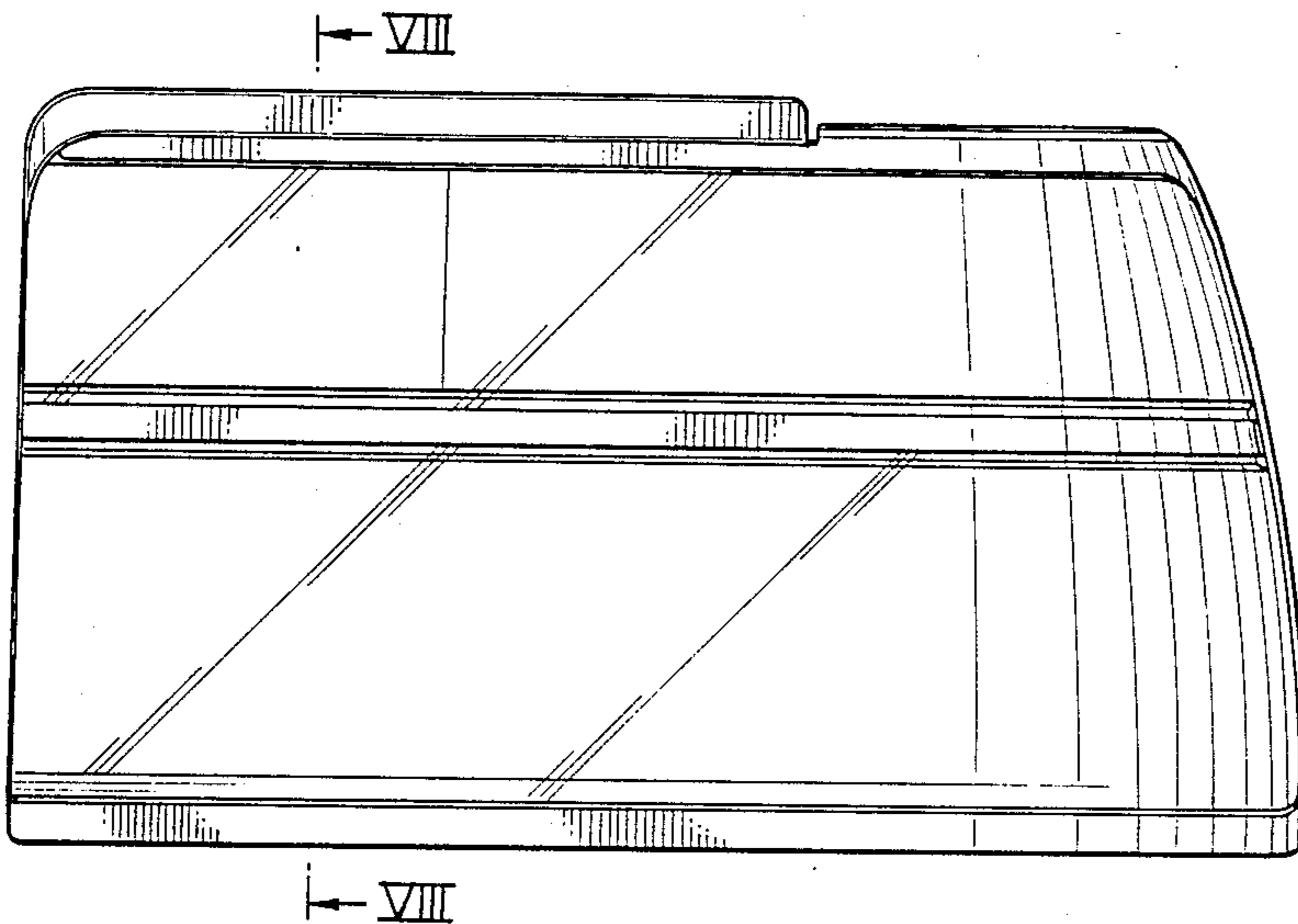
Primary Examiner—Susan J. Lucas  
Attorney, Agent, or Firm—Cushman, Darby & Cushman

[57] CLAIM

The ornamental design for a rear combination lamp for an automobile, as shown and described.

DESCRIPTION

FIG. 1 is a front perspective view of a rear combination lamp for an automobile showing my new design; FIG. 2 is a front elevational view thereof; FIG. 3 is a rear elevational view thereof; FIG. 4 is a top plan view thereof; FIG. 5 is a bottom plan view thereof; FIG. 6 is a left side elevational view thereof; FIG. 7 is a right side elevational view thereof; and FIG. 8 is a cross sectional view taken along line VIII-VIII of FIG. 2.



*Fig. 1*

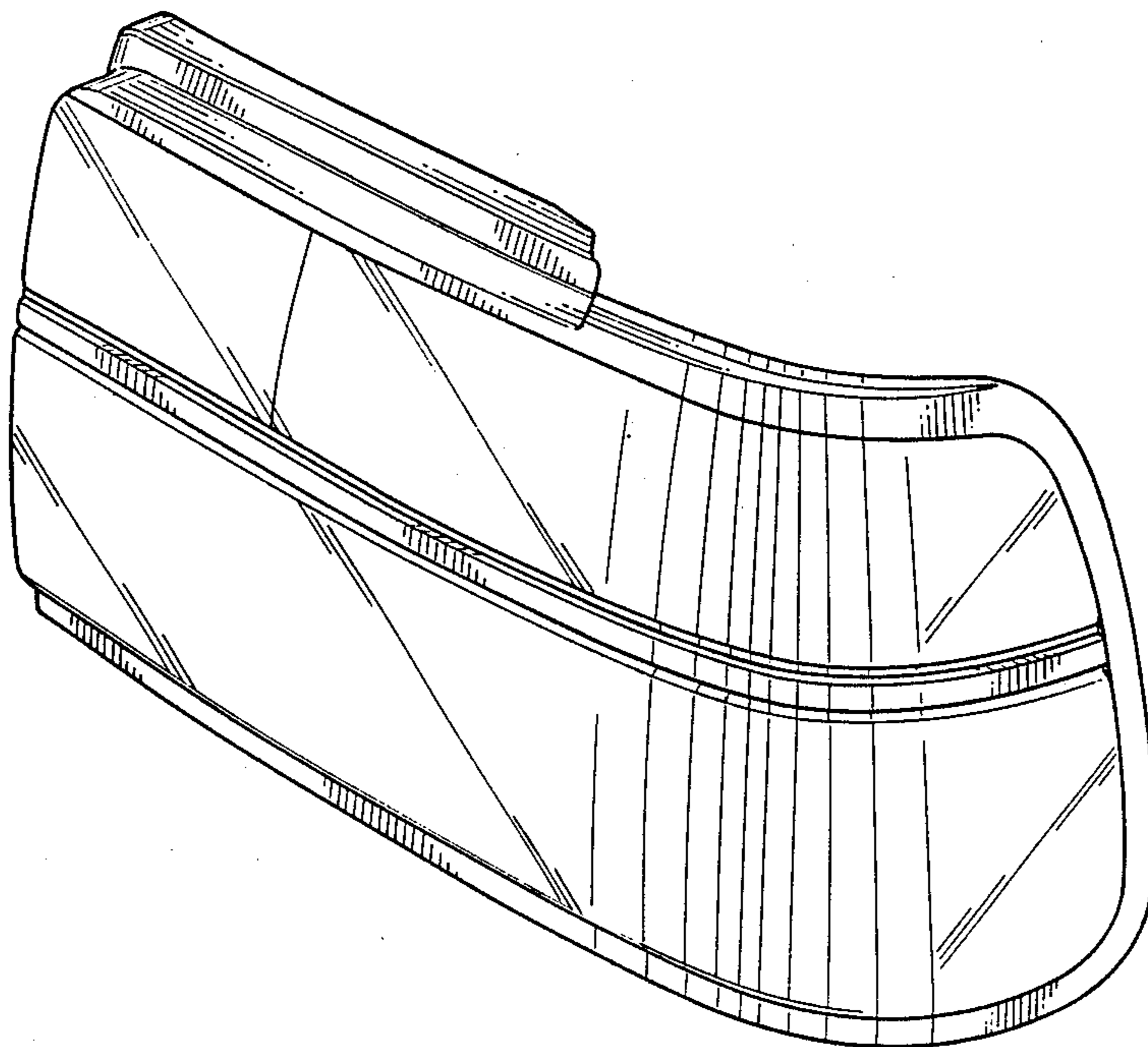


Fig. 2

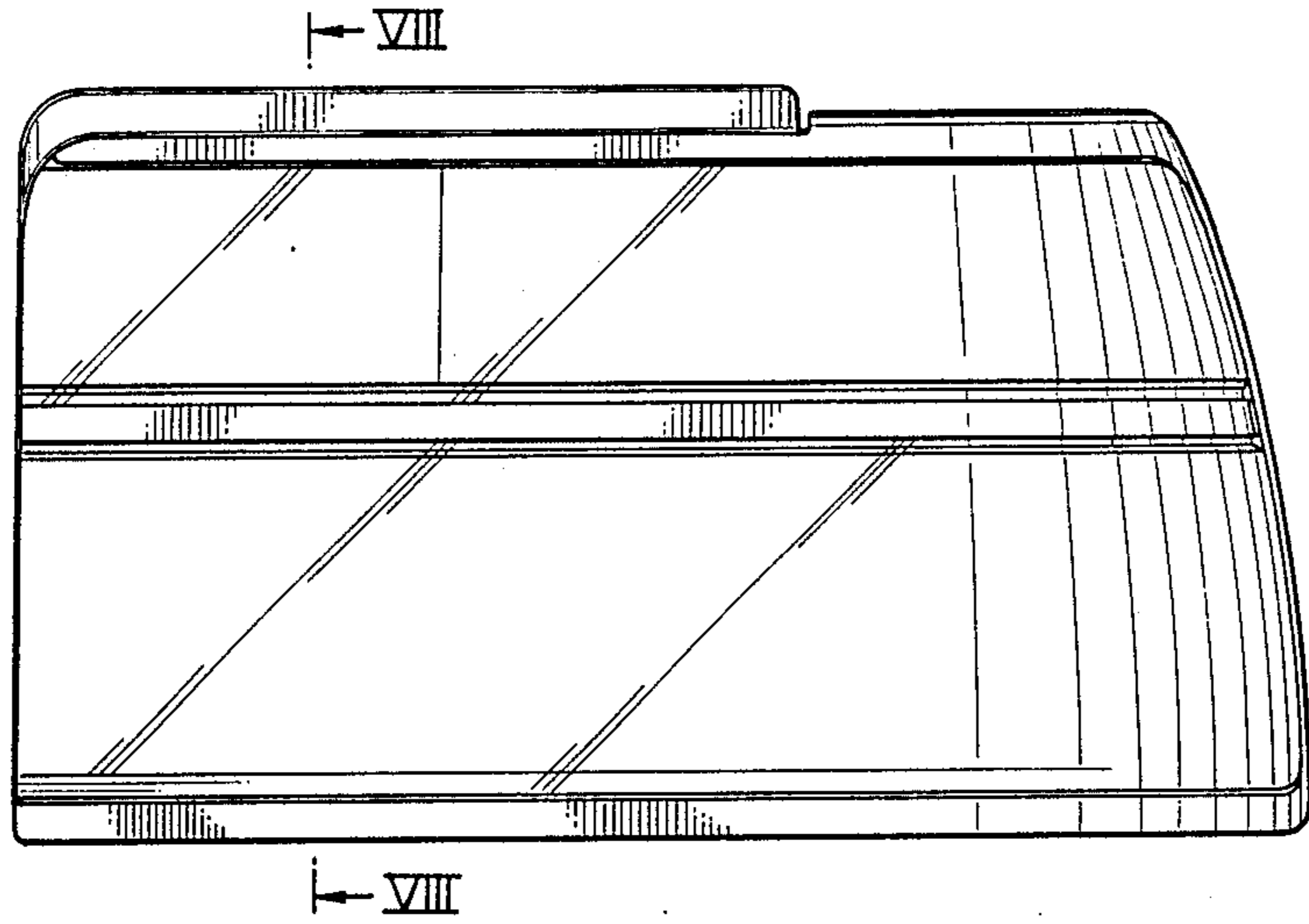
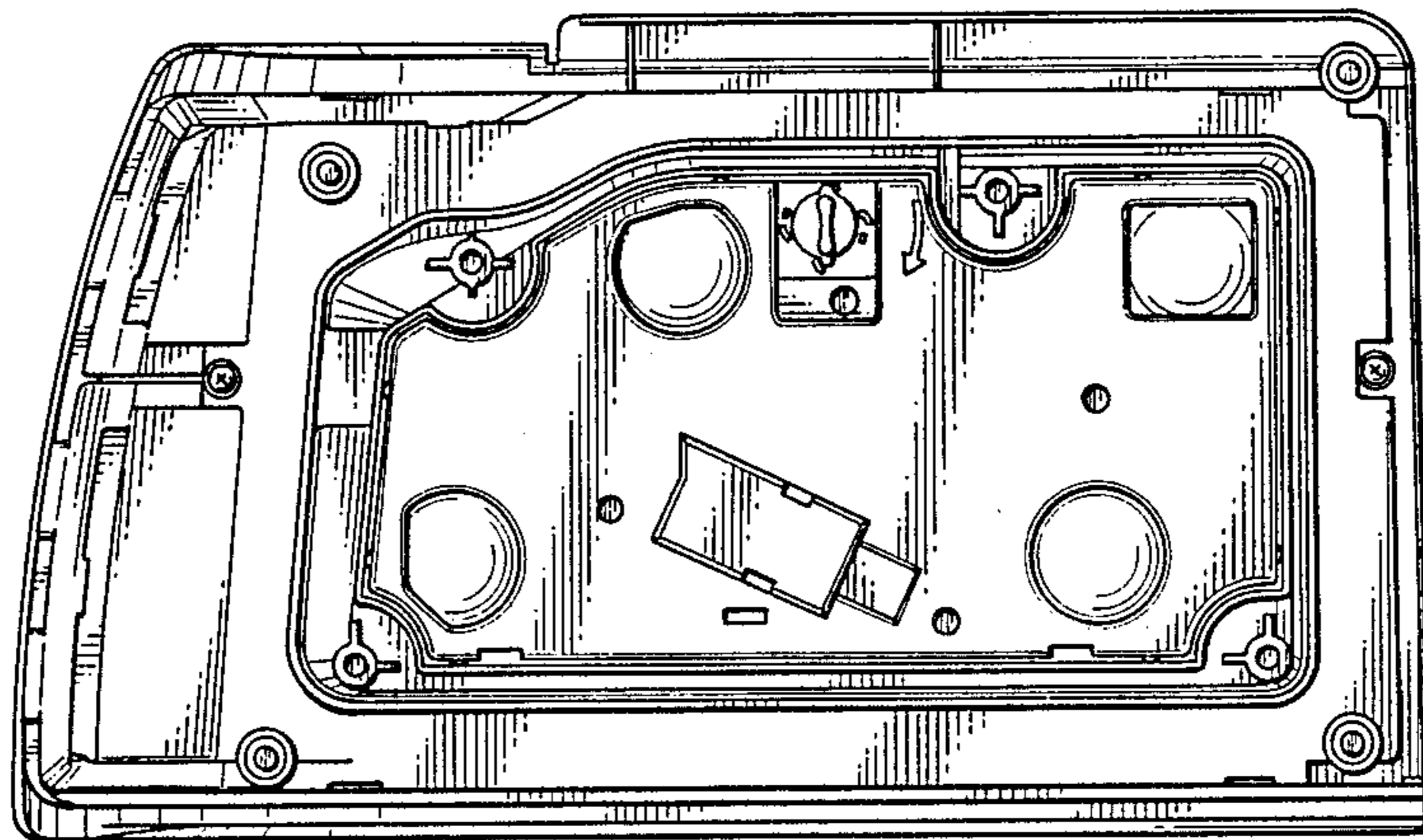
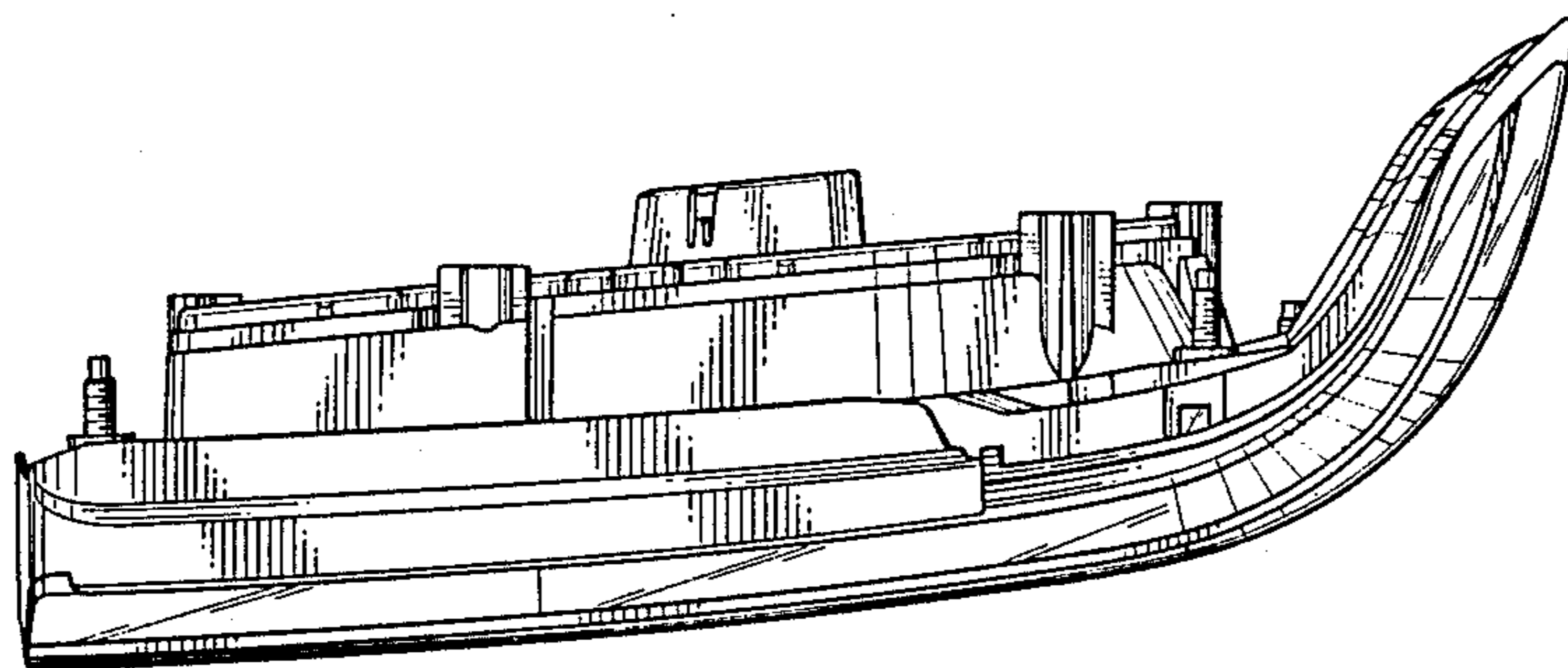


Fig. 3



*Fig. 4*



*Fig. 5*

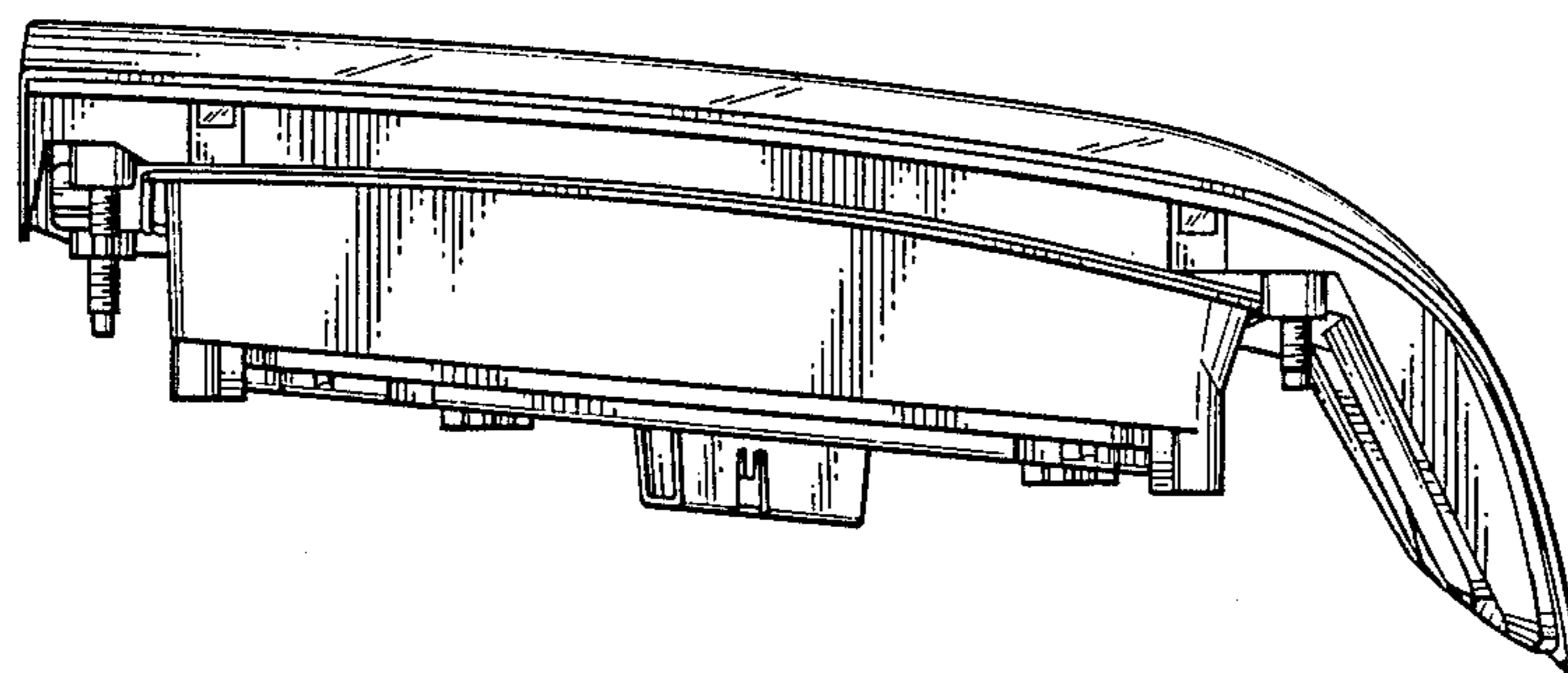


Fig. 6

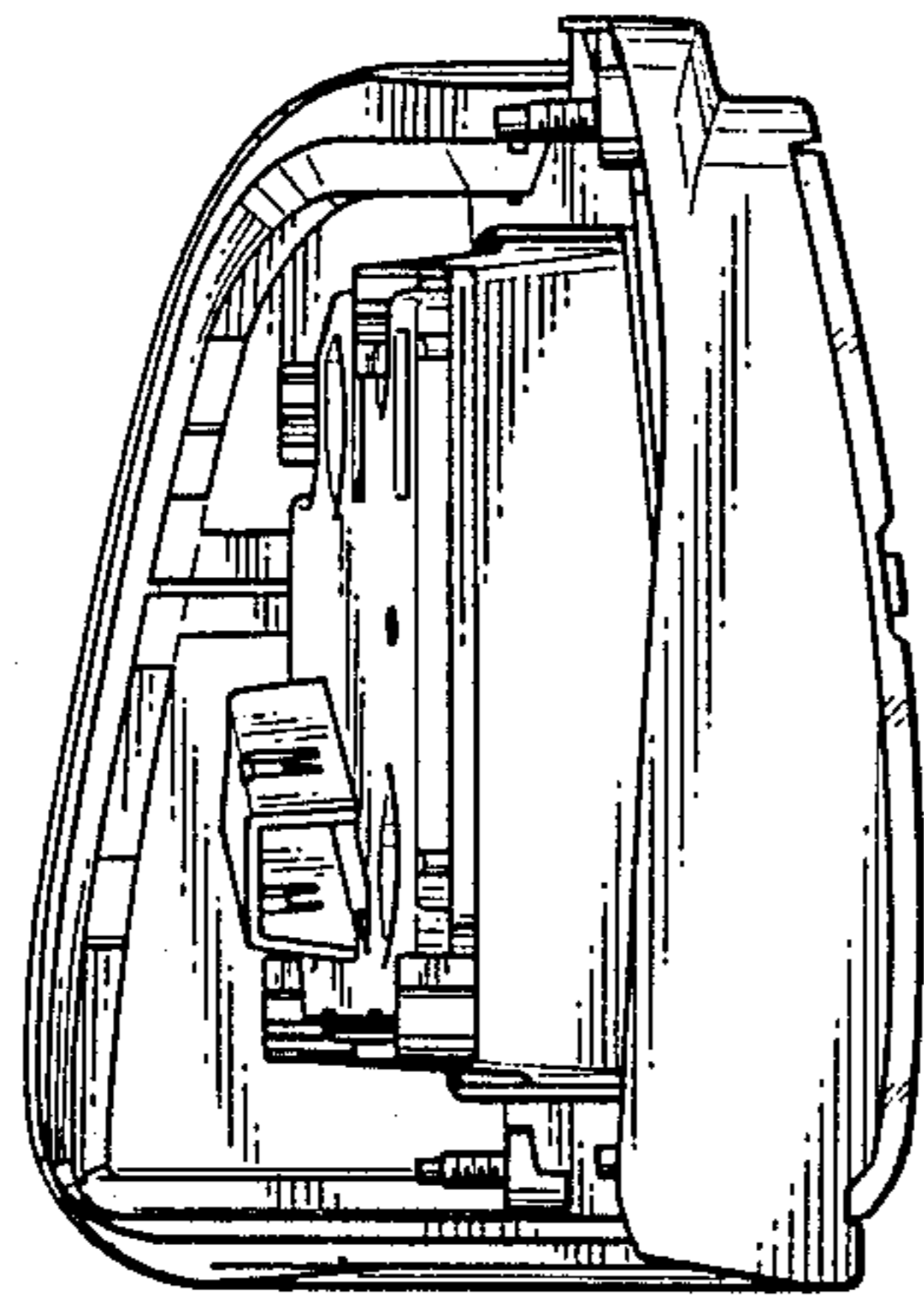


Fig. 7

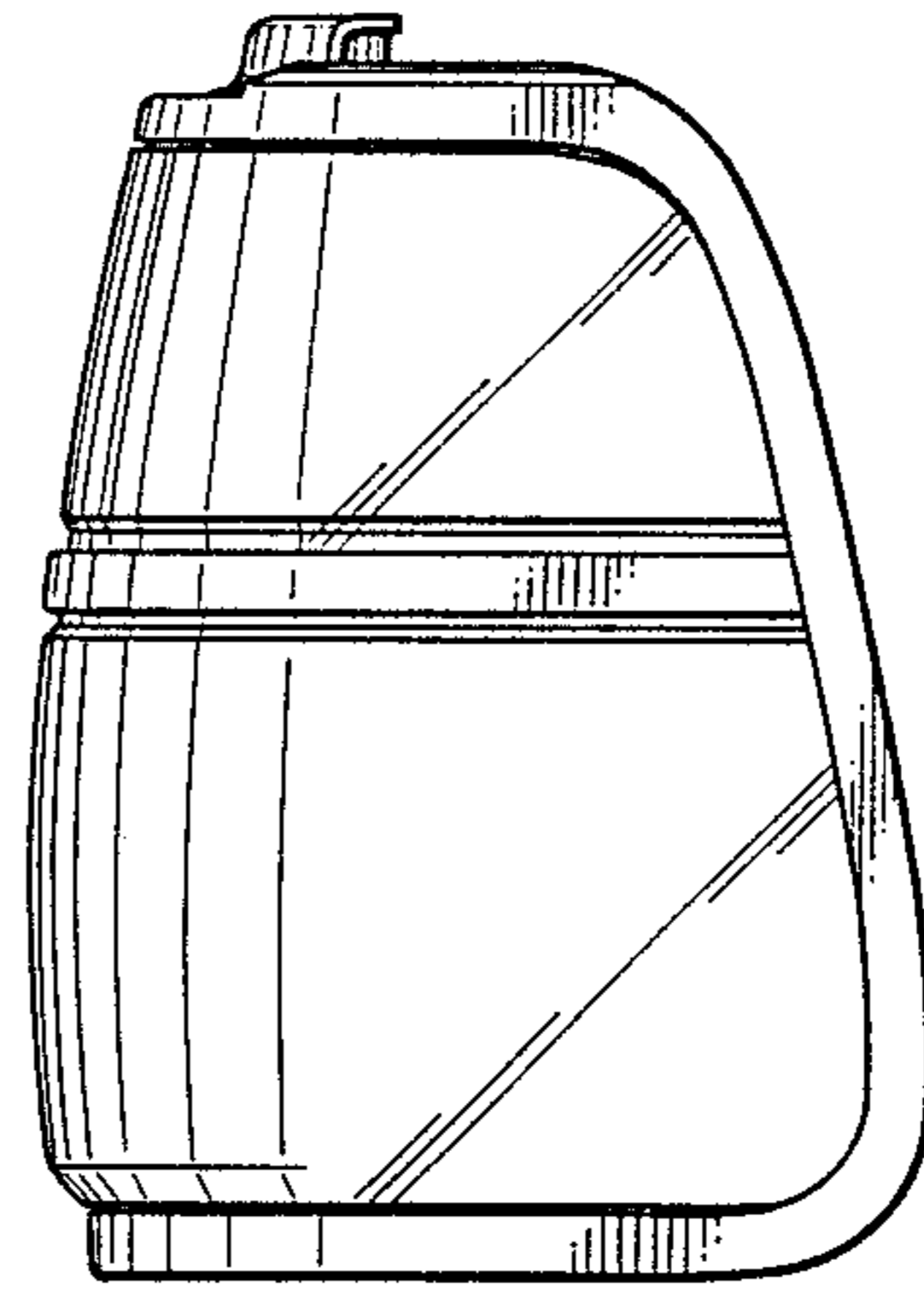


Fig. 8

