

- [54] REAR COMBINATION LAMP FOR AN AUTOMOBILE
- [75] Inventor: Kiyotaka Yoshida, Yokosuka, Japan
- [73] Assignee: Toyota Jidosha Kabushiki Kaisha, Toyota, Japan
- [\*\*] Term: 14 Years
- [21] Appl. No.: 49,323
- [22] Filed: May 13, 1987
- [52] U.S. Cl. .... D26/35
- [58] Field of Search ..... D26/28, 29, 34, 35, D26/36, 120, 122; 362/61, 80-83.4, 267, 330, 336, 337, 326, 339

[56] **References Cited**  
**U.S. PATENT DOCUMENTS**

D. 221,990	9/1971	Tixier .	
D. 273,234	3/1984	Luthe .	
D. 285,122	8/1986	Fujita .....	D26/35
D. 288,137	2/1987	Hirano .....	D26/120
D. 291,924	9/1987	Miyazaki .....	D26/28
D. 293,134	12/1987	Mori .....	D26/35
4,471,411	9/1984	Graham et al. ....	362/80
4,532,578	7/1985	Gaden et al. ....	362/80 X

FOREIGN PATENT DOCUMENTS

- 651914 5/1985 Japan .
- 670662 1/1986 Japan .
- 678104 5/1986 Japan .

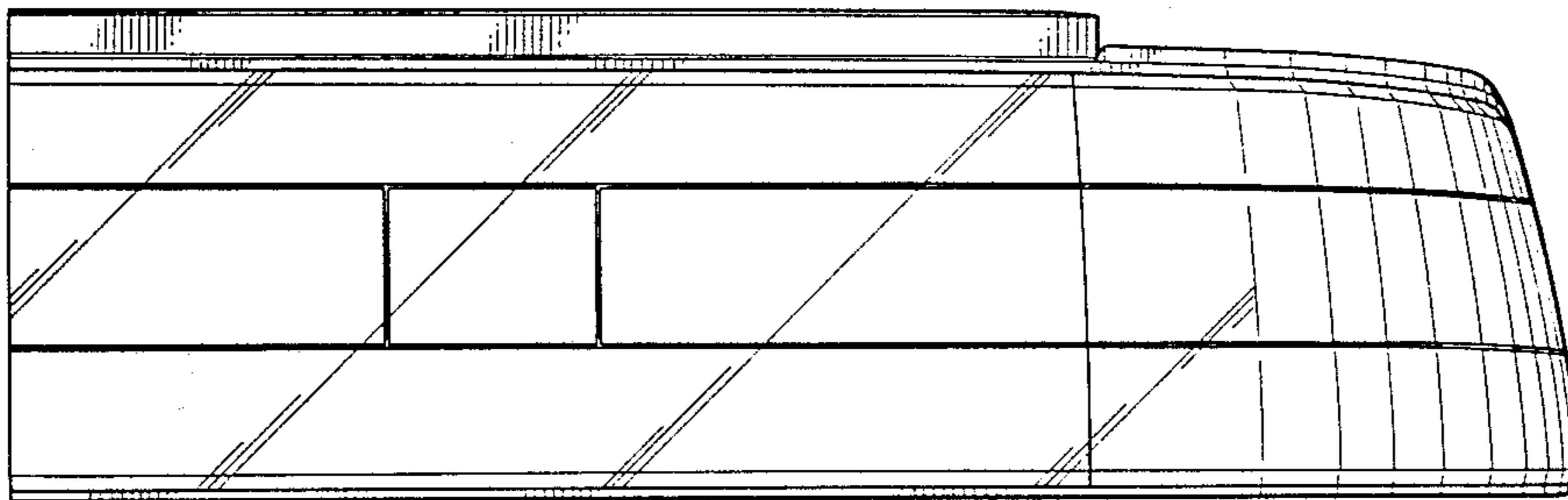
*Primary Examiner*—Susan J. Lucas  
*Attorney, Agent, or Firm*—Cushman, Darby & Cushman

[57] **CLAIM**

The ornamental design for a rear combination lamp for an automobile, as shown and described.

**DESCRIPTION**

FIG. 1 is a front perspective view of a rear combination lamp for an automobile showing my new design; FIG. 2 is a front elevational view thereof; FIG. 3 is a rear elevational view thereof; FIG. 4 is a top plan view thereof; FIG. 5 is a bottom plan view thereof; FIG. 6 is a left side elevational view thereof; FIG. 7 is a right side elevational view thereof; and FIG. 8 is a front perspective view of a second embodiment of my new design, the second embodiment being identical to the first embodiment except for the contrast on the front surface of the lens.



*Fig. 1*

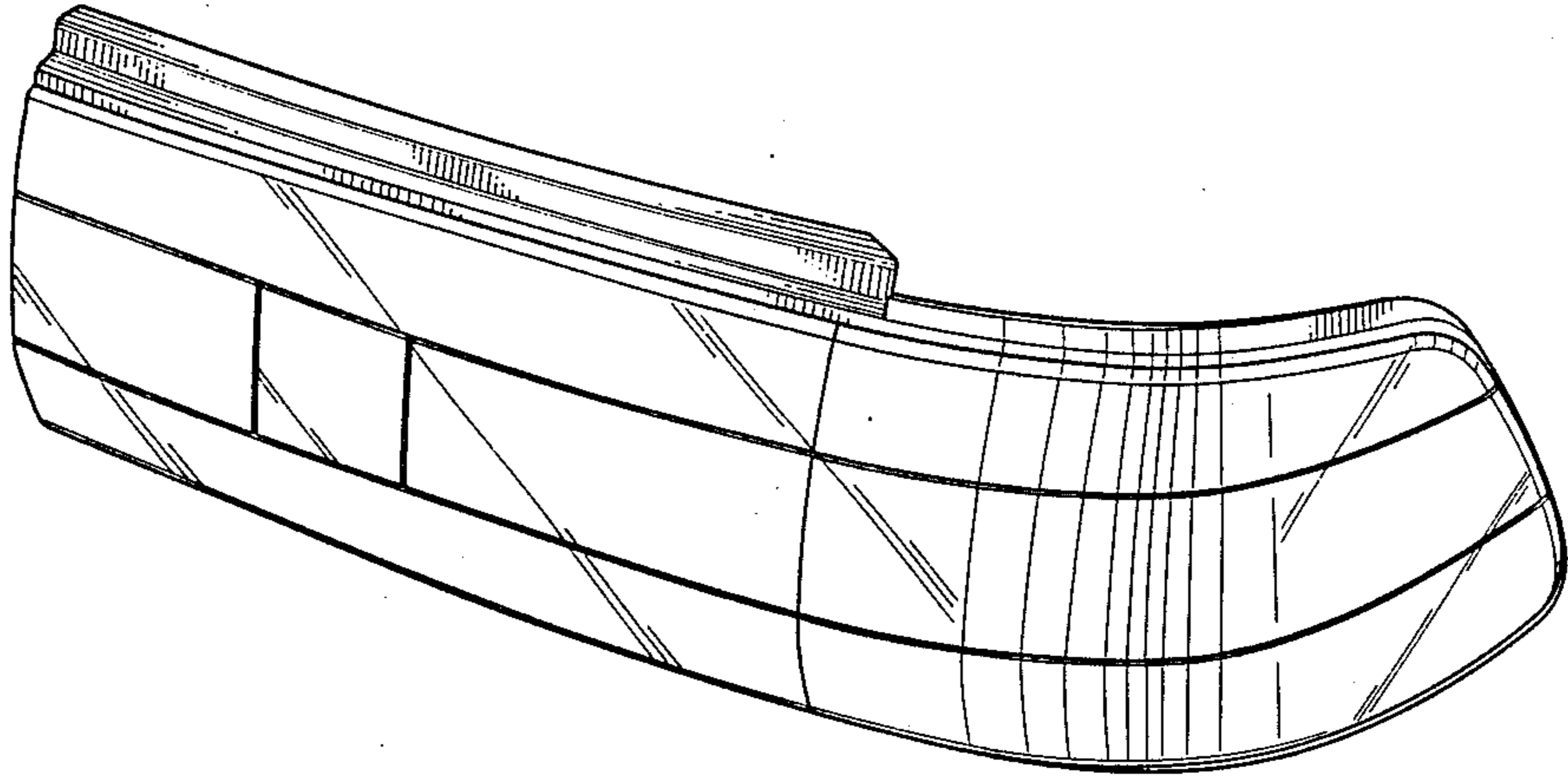


Fig. 2

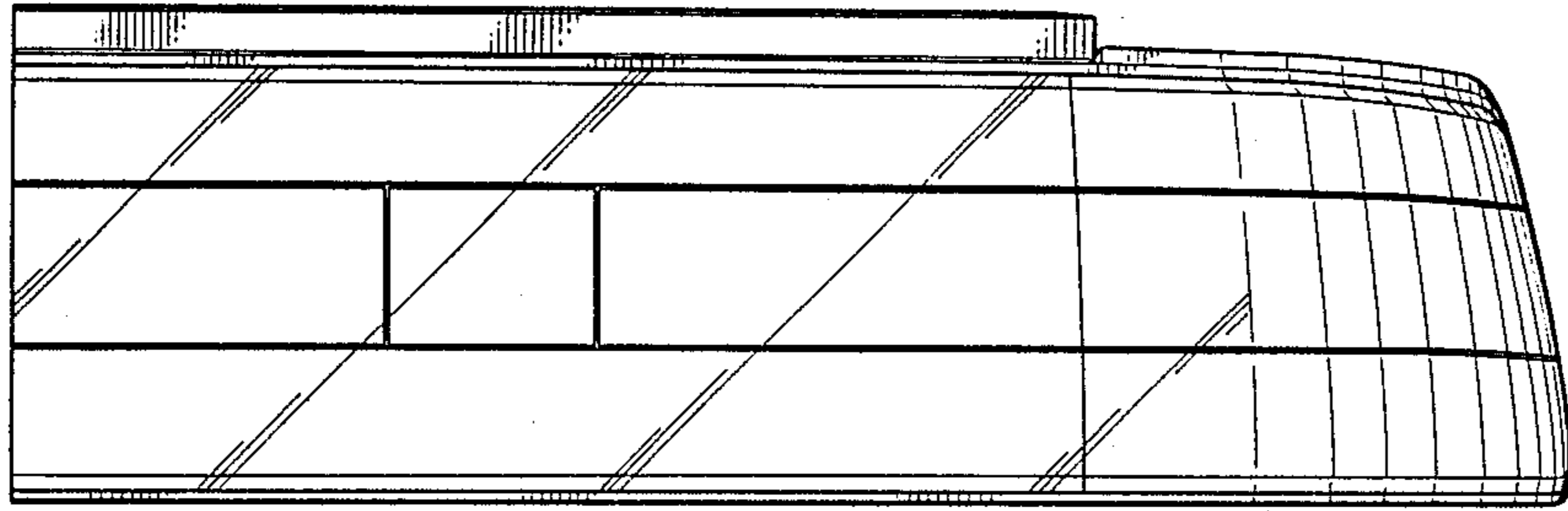


Fig. 3

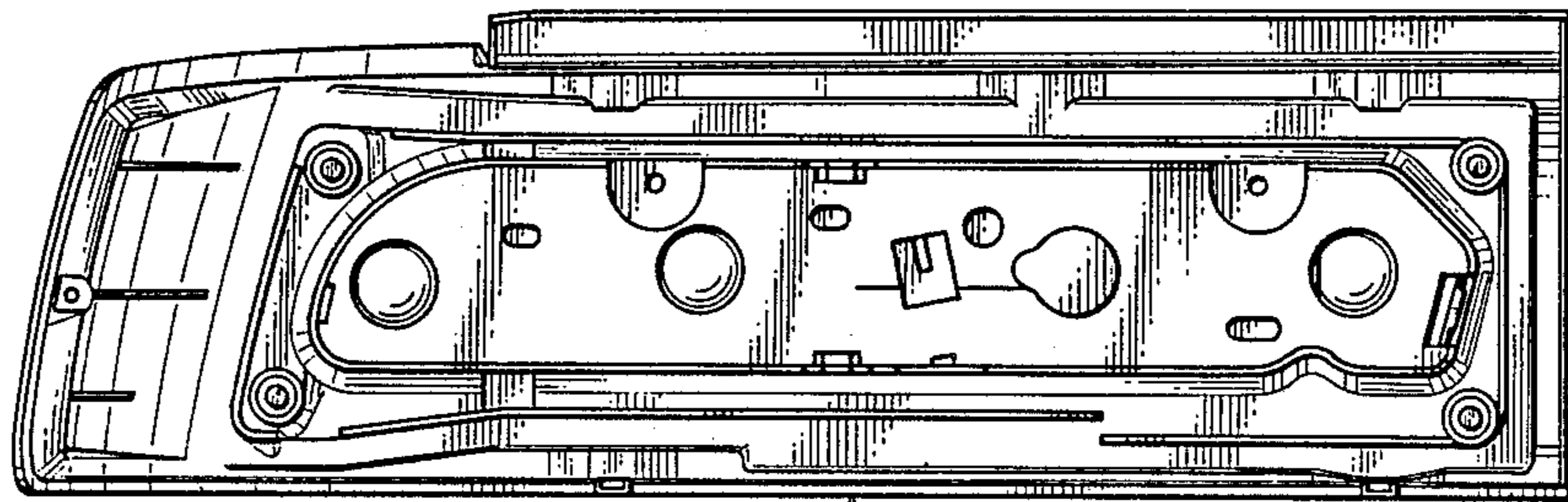


Fig. 4

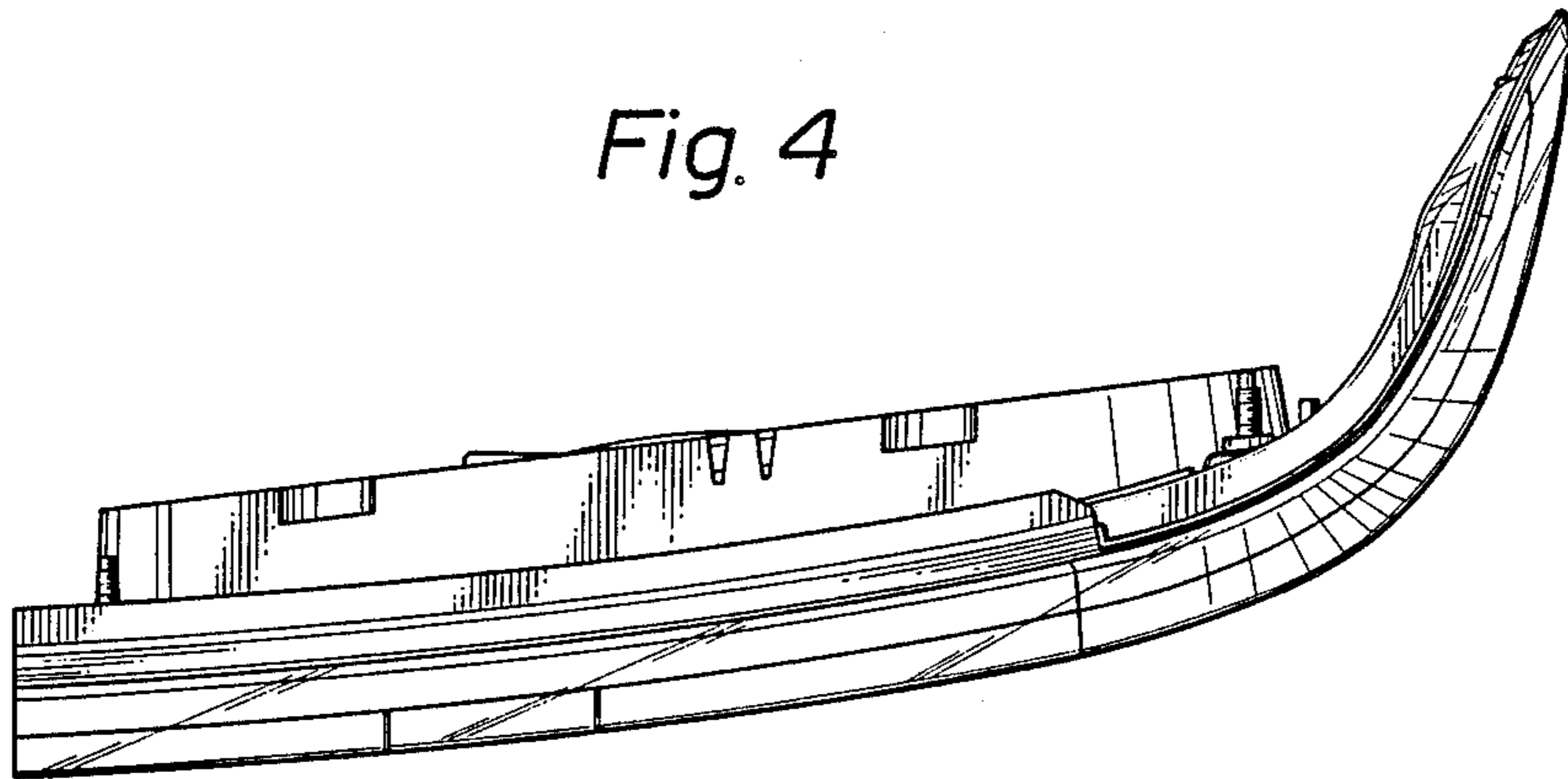


Fig. 5

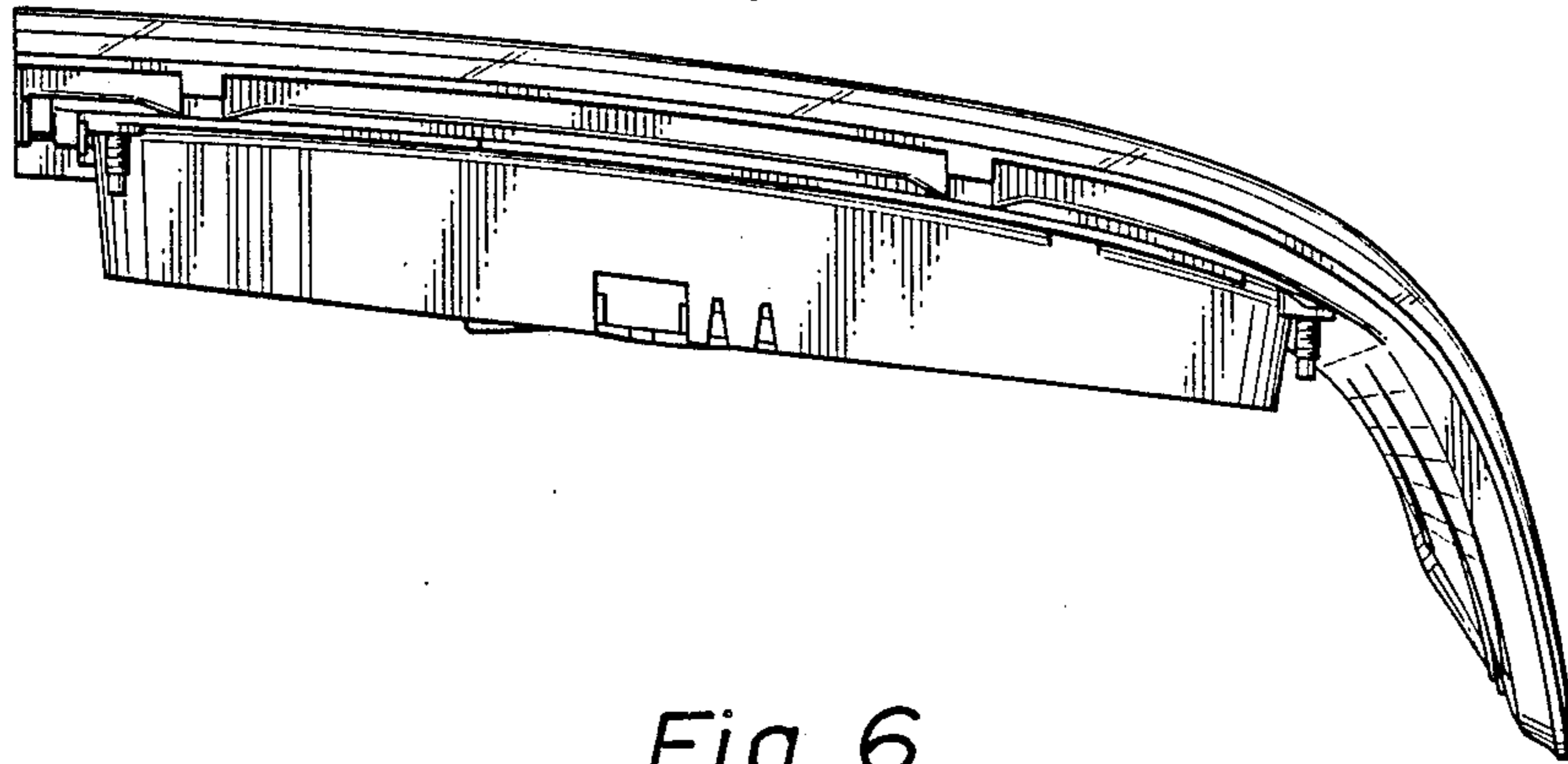


Fig. 6

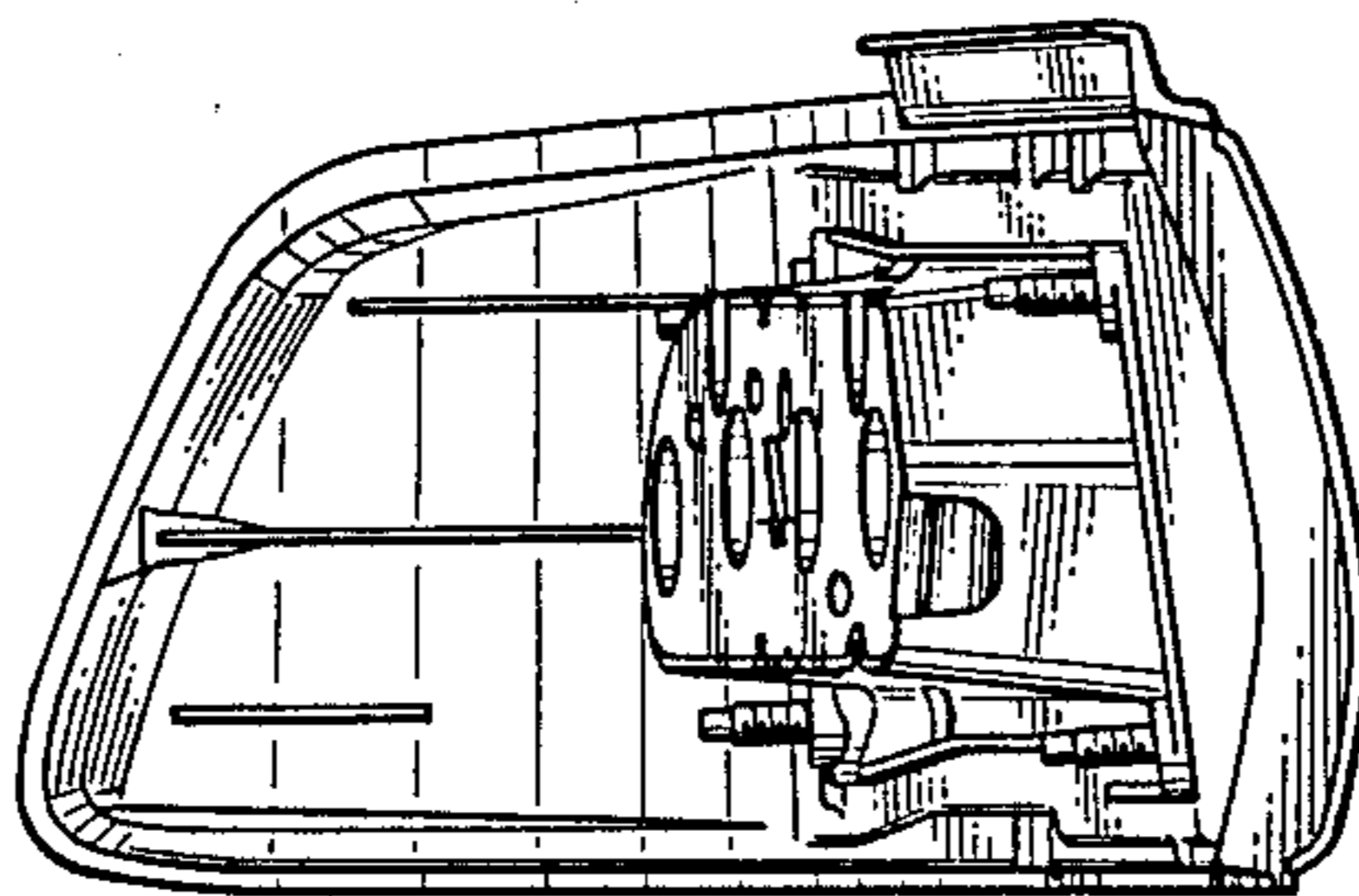
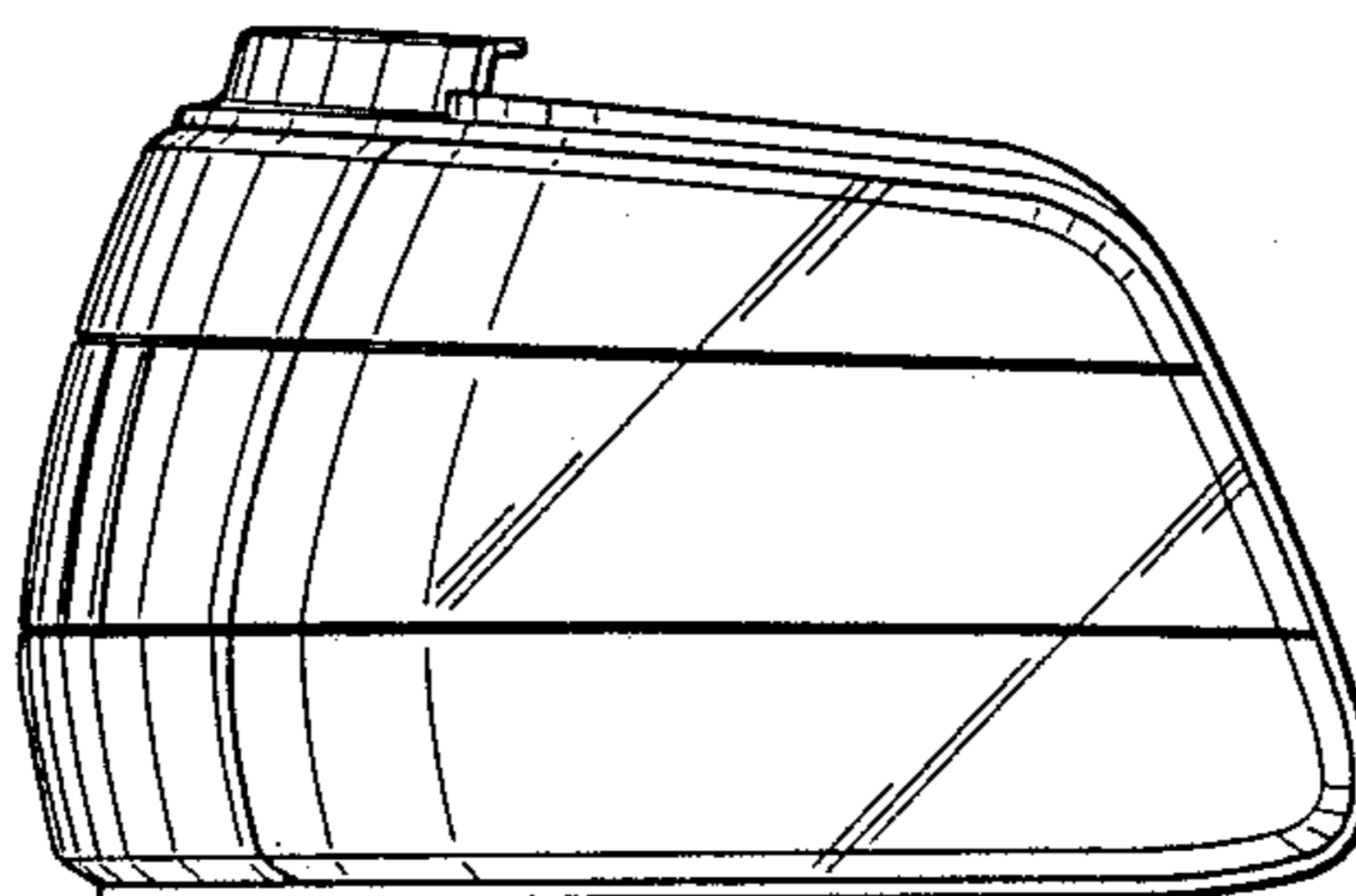


Fig. 7



*Fig. 8*

