

[54] CONTROL UNIT FOR A BUBBLING BATH DEVICE

3,809,073 5/1974 Baumann 128/66
4,566,443 1/1986 Bucher 128/66

[75] Inventors: Luc Heiligenstein; Francois Geneve; Stephen Melamed, all of Chicago, Ill.

Primary Examiner—Wallace R. Burke
Assistant Examiner—Stella M. Reid
Attorney, Agent, or Firm—Laff, Whitesel, Conte & Saret

[73] Assignee: Associated Mills Inc., Chicago, Ill.

[57] CLAIM

[**] Term: 14 Years

The ornamental design for a control unit for a bubbling bath device, as shown.

[21] Appl. No.: 67,471

[22] Filed: Jun. 26, 1987

DESCRIPTION

[52] U.S. Cl. D24/38

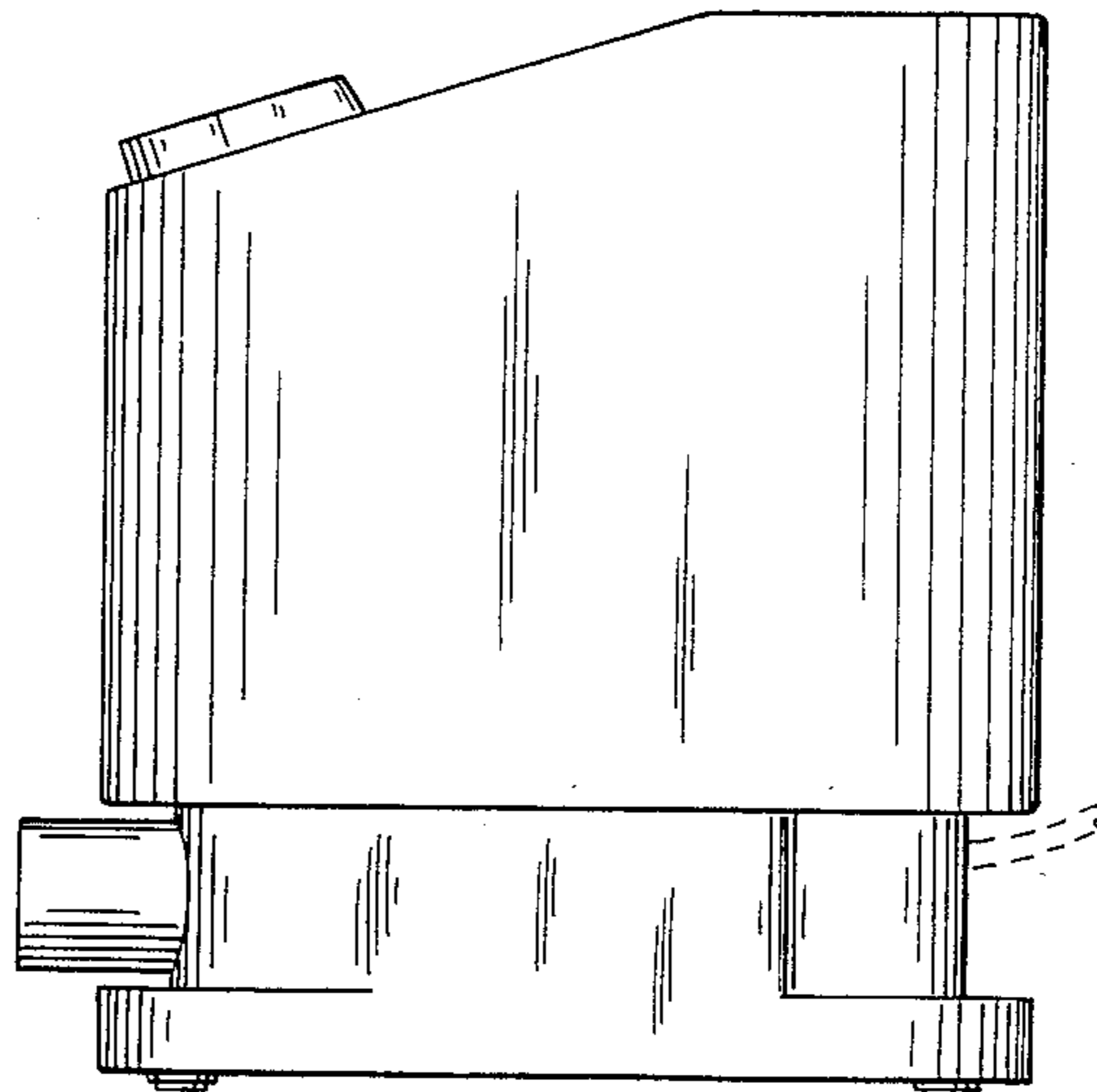
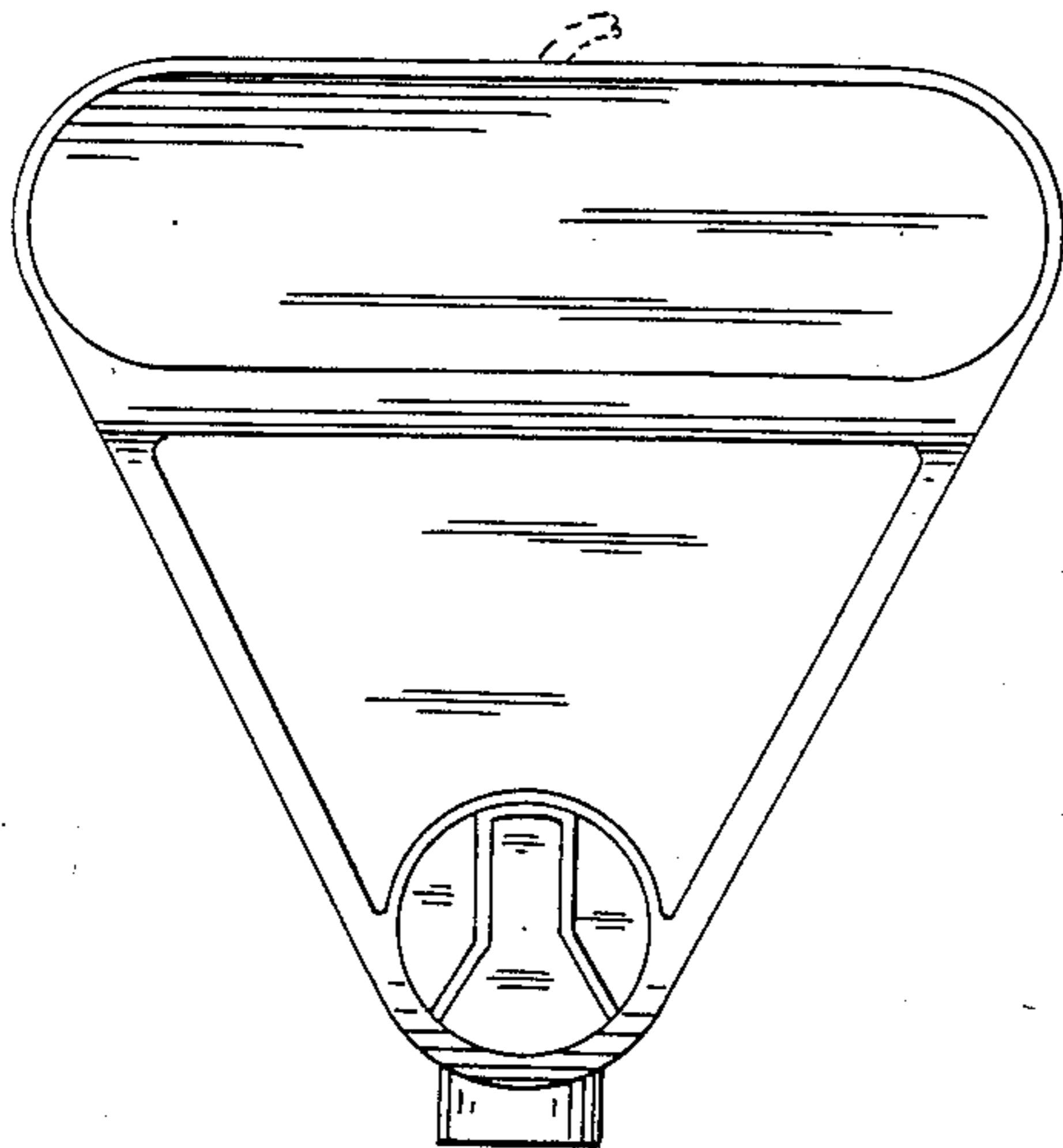
[58] Field of Search D24/38; 4/580-583; 128/66

FIG. 1 is a top plan view of a control unit for a bubbling bath device, showing our new design;
FIG. 2 is a front elevational view thereof;
FIG. 3 is a rear elevational view thereof;
FIG. 4 is a side elevational view thereof;
FIG. 5 is a side elevational view thereof, opposite that shown in FIG. 4; and
FIG. 6 is a bottom plan view thereof;
The broken line showing in FIGS. 1 and 6 is for illustrative purposes only and forms no part of the claimed design.

[56] References Cited

U.S. PATENT DOCUMENTS

D. 233,485	10/1974	Klages	D24/38
D. 288,607	3/1987	Baumann et al.	D24/38
D. 299,062	12/1988	Young et al.	D24/38
3,710,786	1/1973	Rico et al.	128/66
3,750,656	8/1973	Vaughan	128/66



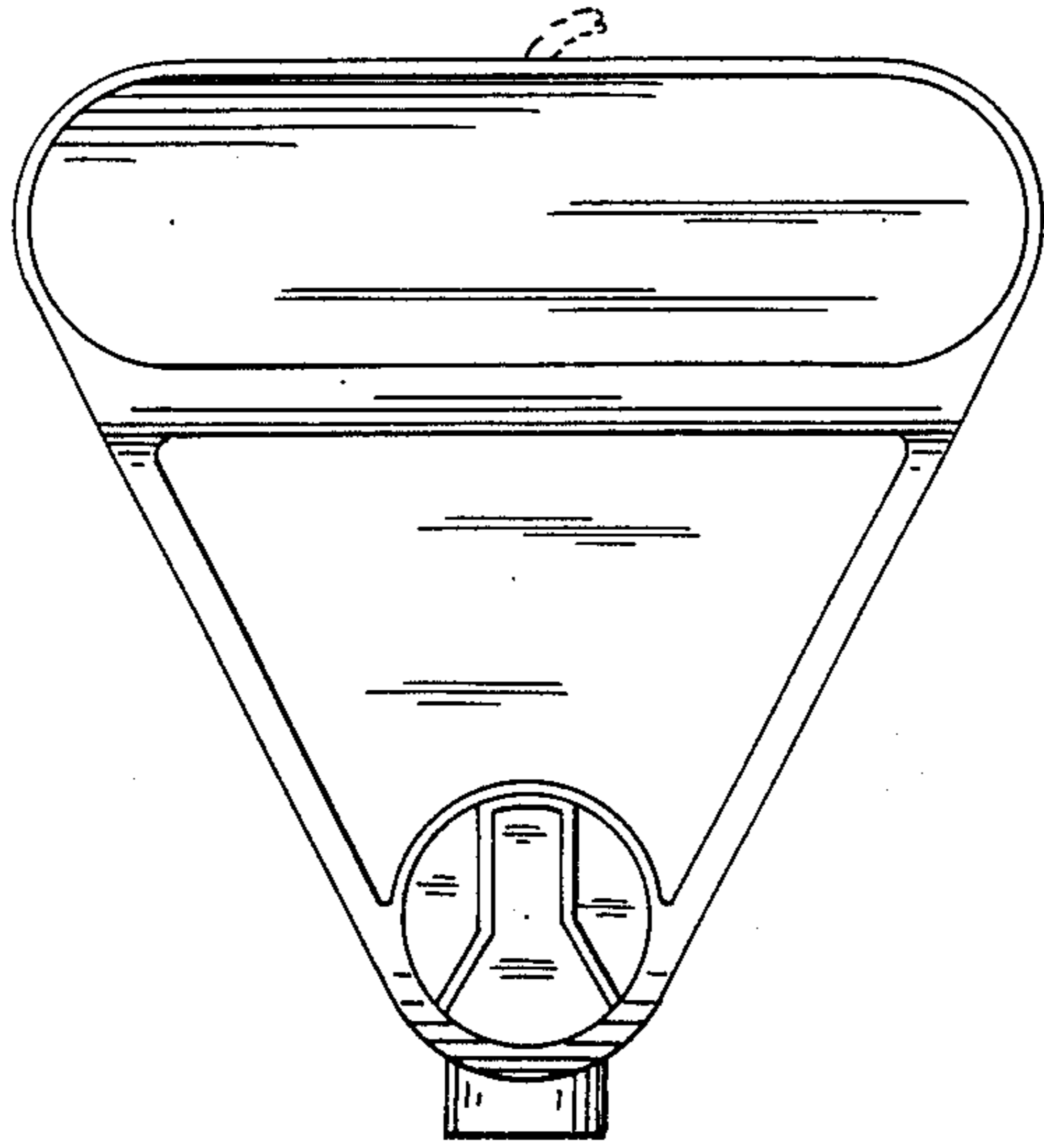


FIG. 1

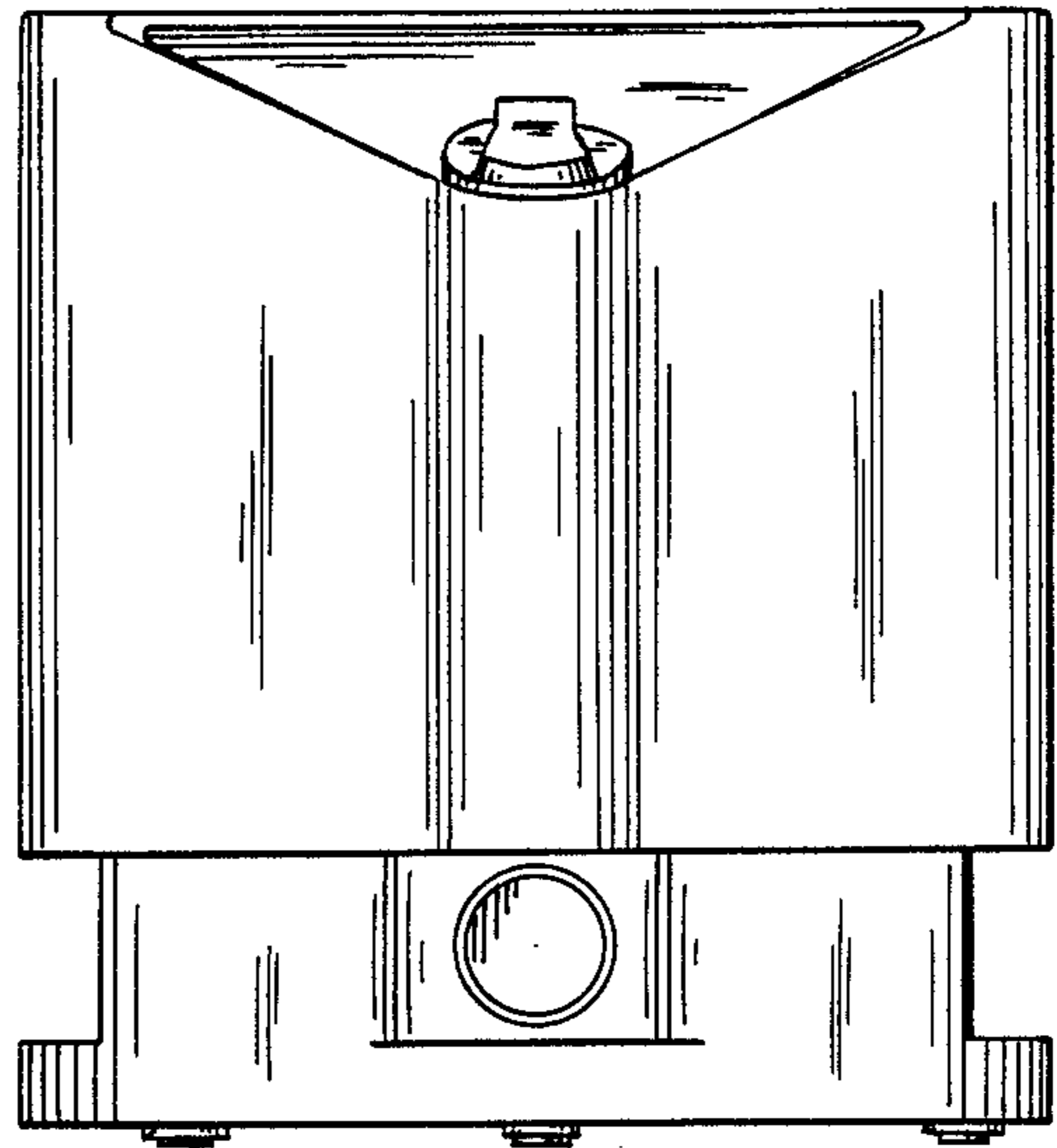


FIG. 2

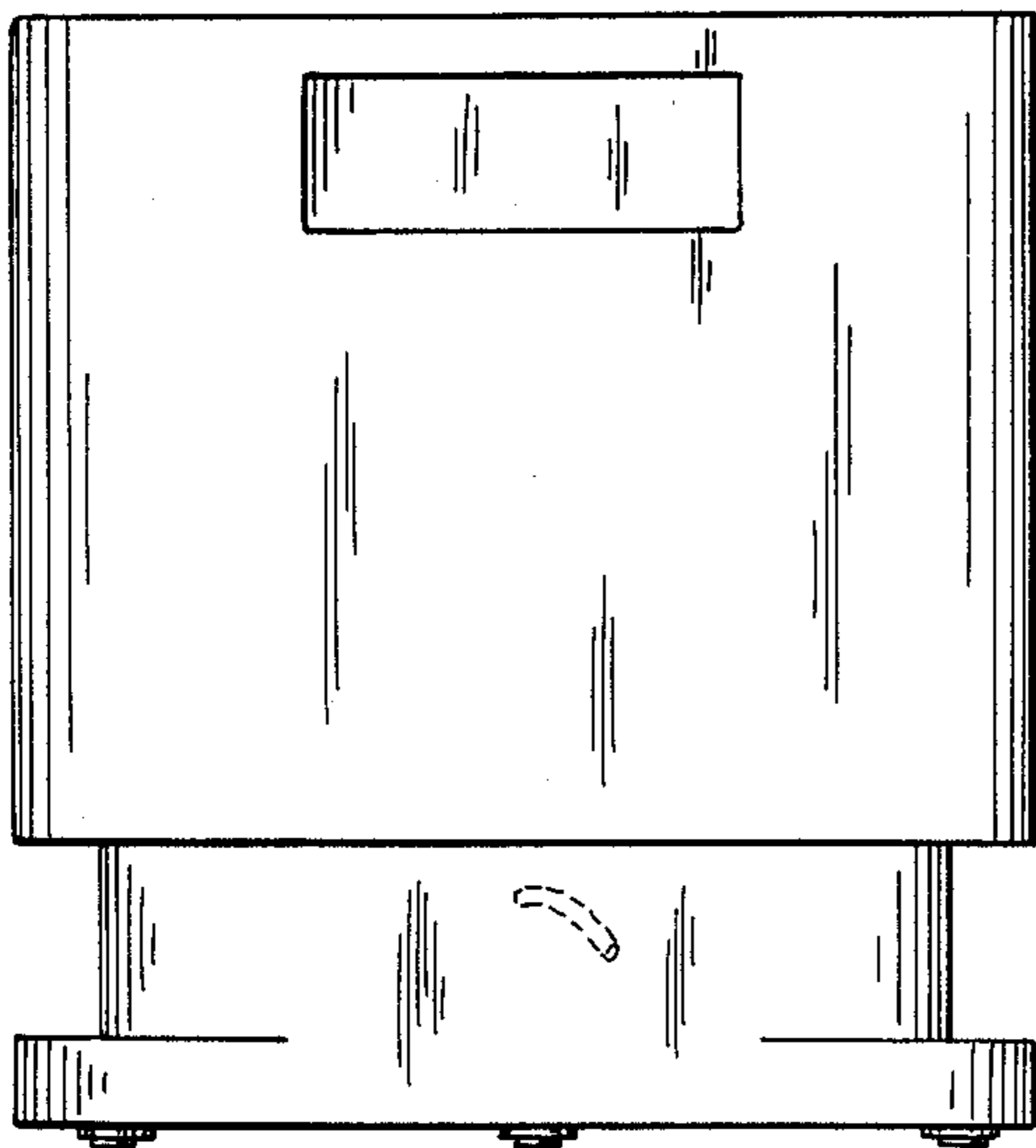


FIG. 3

FIG. 4

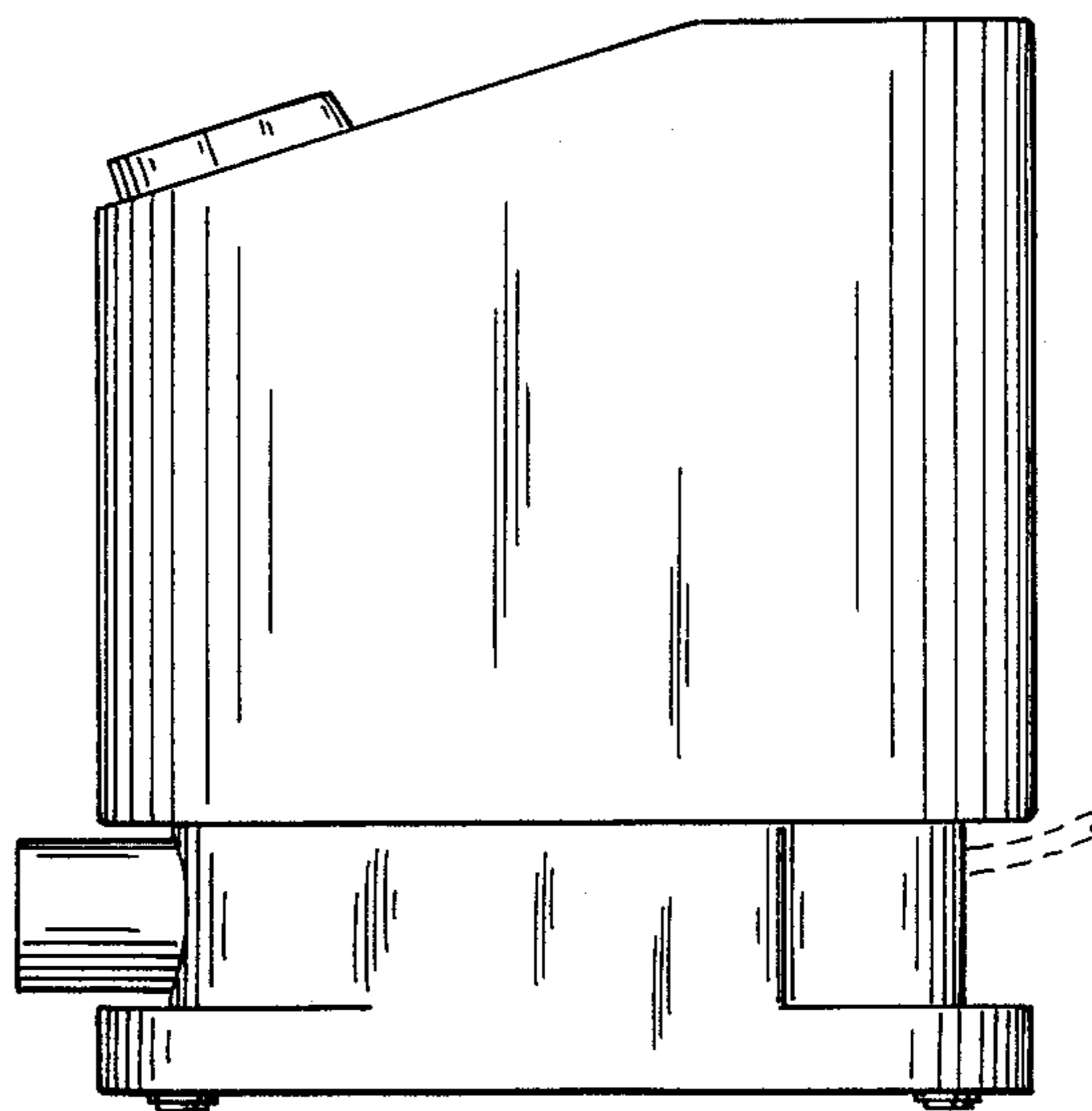


FIG. 5

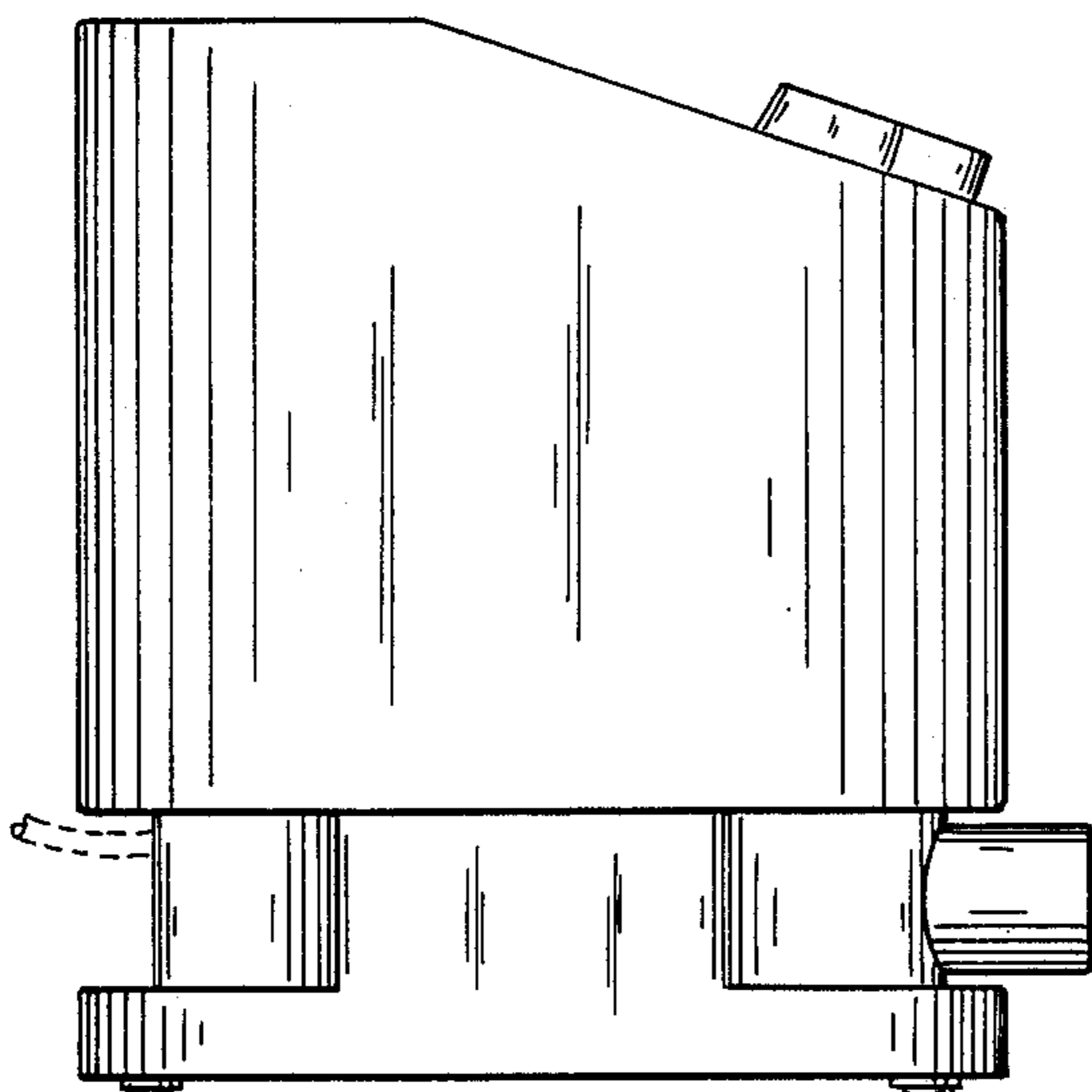


FIG. 6

