

[54] COMBINED CONTROL UNIT AND AIR BUBBLING BATH MAT

[75] Inventors: Stanley T. Walczak, Brookfield; Samuel F. Peterson, Chicago; Luc Heiligenstein, Chicago; Francois Geneve, Chicago; Stephen Melamed, Chicago, all of Ill.

[73] Assignee: Associated Mills Inc., Chicago, Ill.

[\*\*] Term: 14 Years

[21] Appl. No.: 67,141

[22] Filed: Jun. 26, 1987

[52] U.S. Cl. .... D24/38

[58] Field of Search ..... D24/38; 4/580-583; 128/66

[56] References Cited

U.S. PATENT DOCUMENTS

- D. 233,485 10/1974 Klages ..... D24/38
- D. 288,607 3/1987 Baumann et al. .... D24/38
- D. 299,062 12/1988 Young et al. .... D24/38

Primary Examiner—Wallace R. Burke  
Assistant Examiner—Stella M. Reid  
Attorney, Agent, or Firm—Laff, Whitesel, Conte & Saret

[57] CLAIM

The ornamental design for a combined control unit and air bubbling bath mat, as shown.

DESCRIPTION

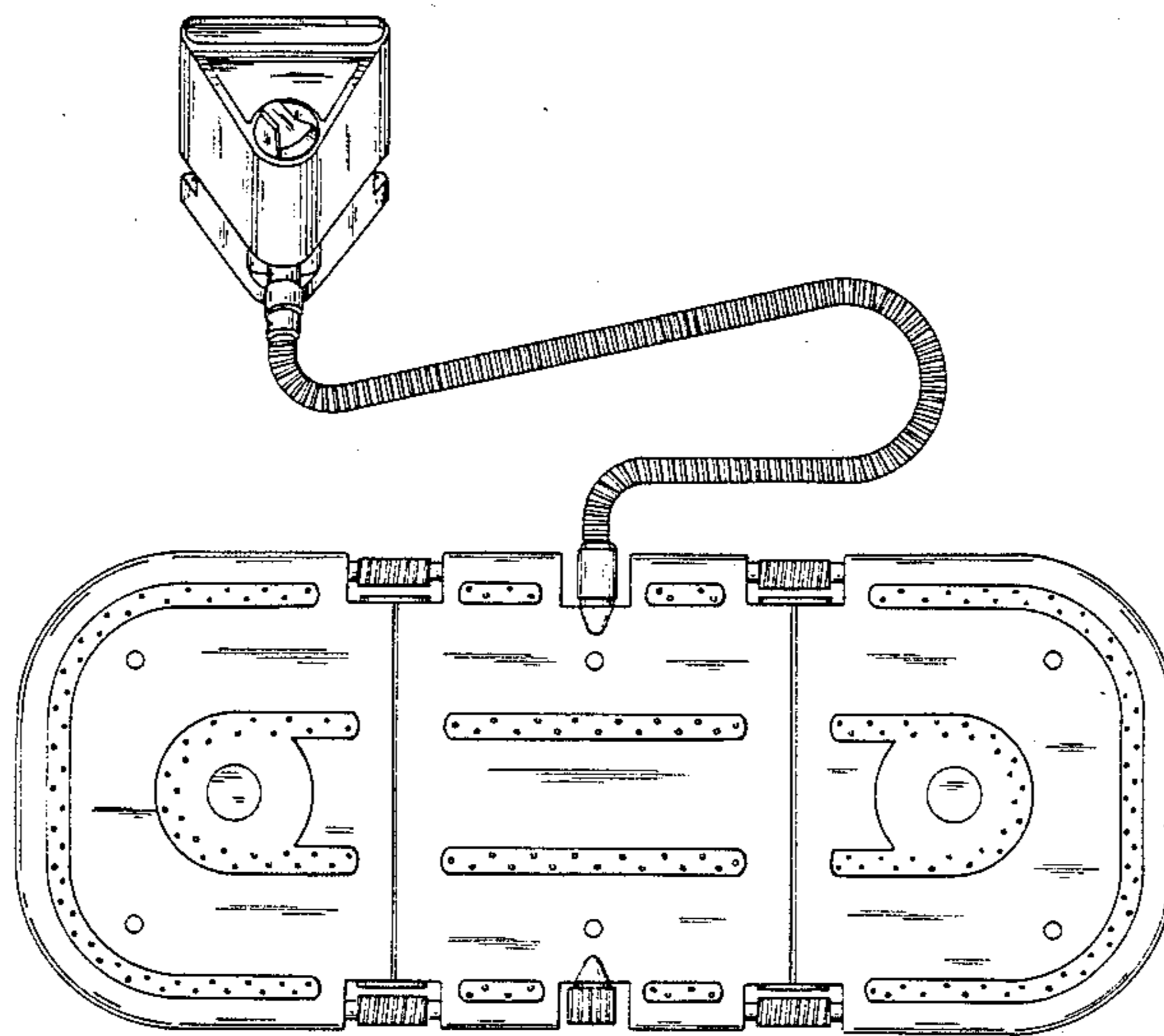
FIG. 1 is a perspective view and a top plan view respectively, of a combined control unit and air bubbling bath mat, showing our new design;

FIG. 2 is a rear elevational view and side elevational view respectively, of the control unit and the air bubbling bath mat;

FIG. 3 is a bottom plan view thereof; and

FIG. 4 is a side elevational view and end elevational view respectively, of the control unit and the air bubbling bath mat, the opposite view being identical thereto.

The broken line showing in FIGS. 3 and 4 is for illustrative purposes only and forms no part of the claimed design.



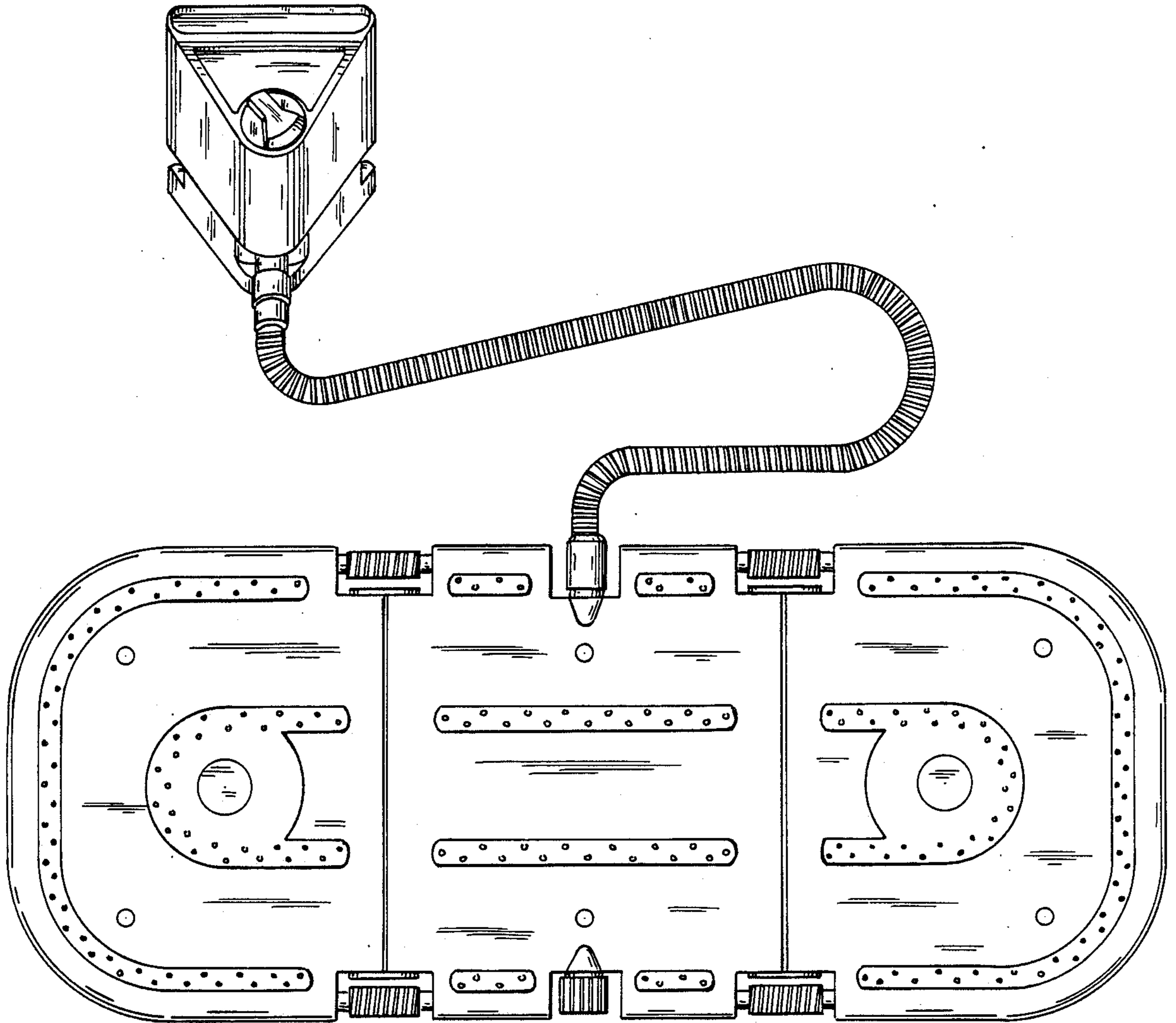


FIG. 1

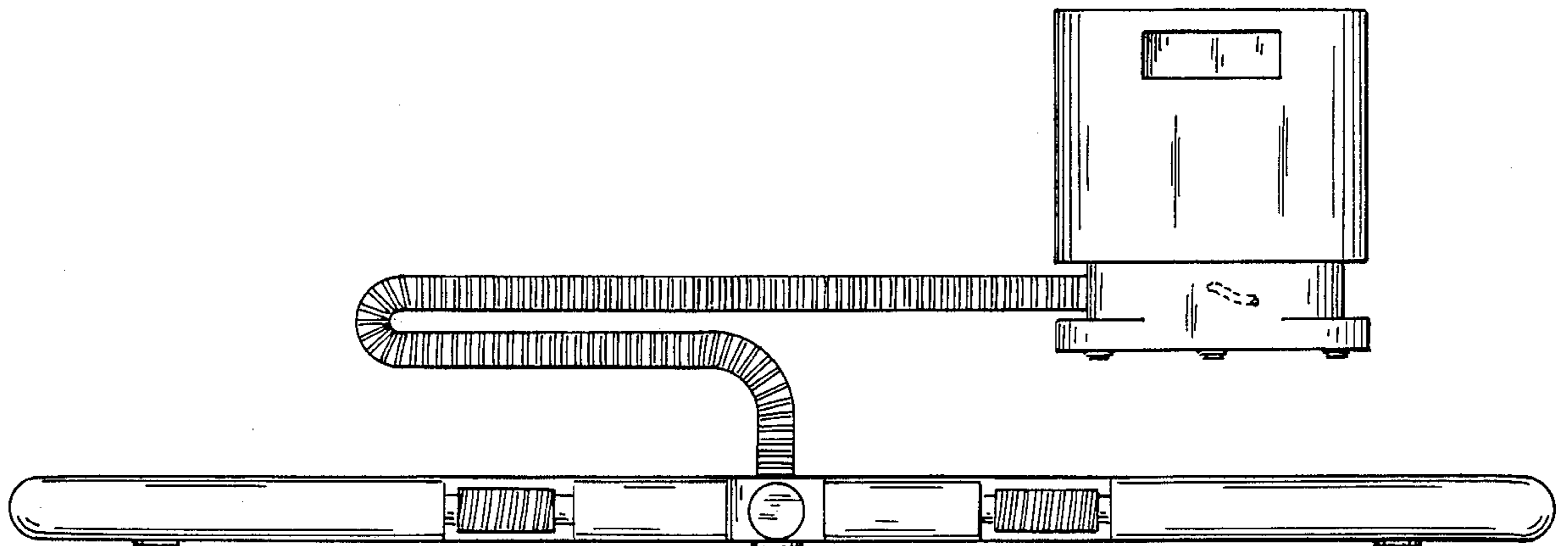


FIG. 2

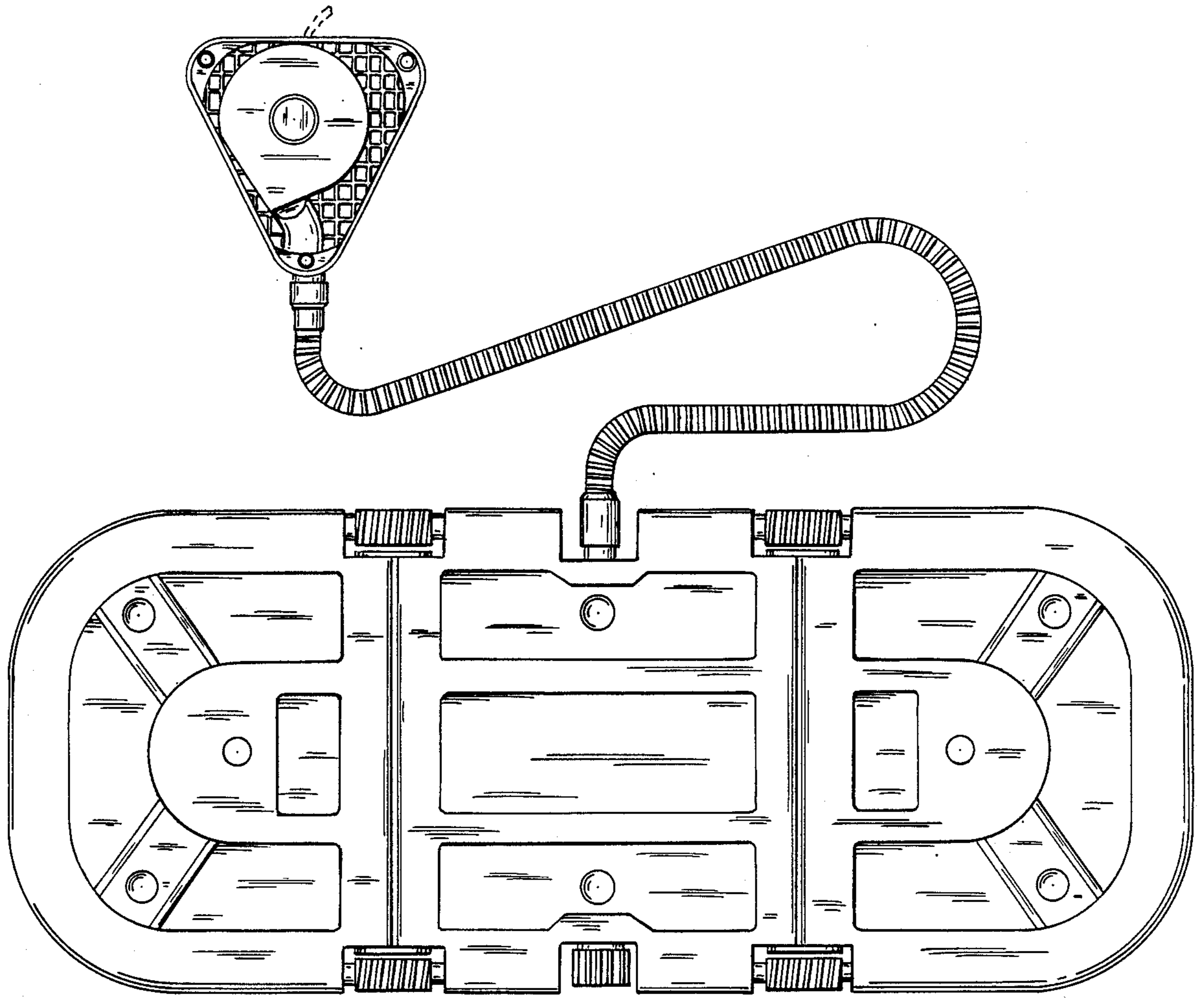


FIG. 3

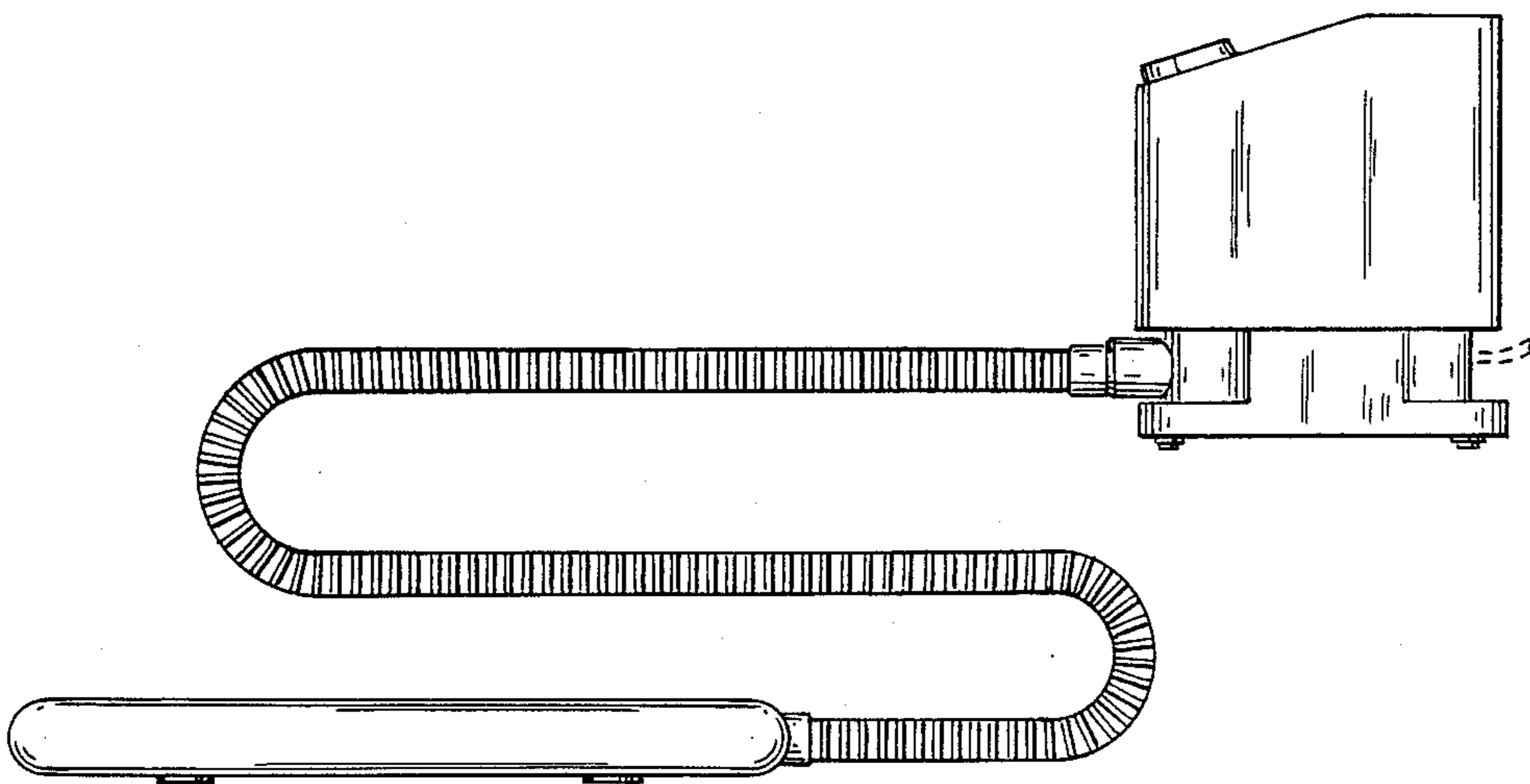


FIG. 4