

[54] TABLE TOP AIR FILTER UNIT FOR REMOVING HAZARDOUS FUMES

[76] Inventor: Max Klein, 64 Euclid Ave., Pittsfield, Mass. 01201

[**] Term: 14 Years

[21] Appl. No.: 41,750

[22] Filed: Apr. 23, 1987

[52] U.S. Cl. D23/365

[58] Field of Search D23/364, 365, 366, 355; 55/385.2, 385.1

[56] References Cited

U.S. PATENT DOCUMENTS

- D. 246,110 10/1977 Hadtke D23/366
- D. 247,249 2/1978 Schimanski D23/366
- D. 247,573 3/1978 Schimanski D23/366
- D. 264,241 5/1982 Lovett D23/365

Primary Examiner—James M. Gandy
Assistant Examiner—Lisa Lichtenstein
Attorney, Agent, or Firm—Dann, Dorfman, Herrell and Skillman

[57] CLAIM

The ornamental design for a table top air filter unit for removing hazardous fumes, as shown and described.

DESCRIPTION

FIG. 1 is a front elevation view of a table top air filter unit for removing hazardous fumes, showing my new design;
FIG. 2 is a rear elevation view thereof;
FIG. 3 is a top plan view thereof;
FIG. 4 is a bottom plan view thereof;
FIG. 5 is a right side elevation view thereof, the left side being a mirror image of that shown; and
FIG. 6 is an exploded perspective view thereof, showing the hood portion separated from the filtering portion.

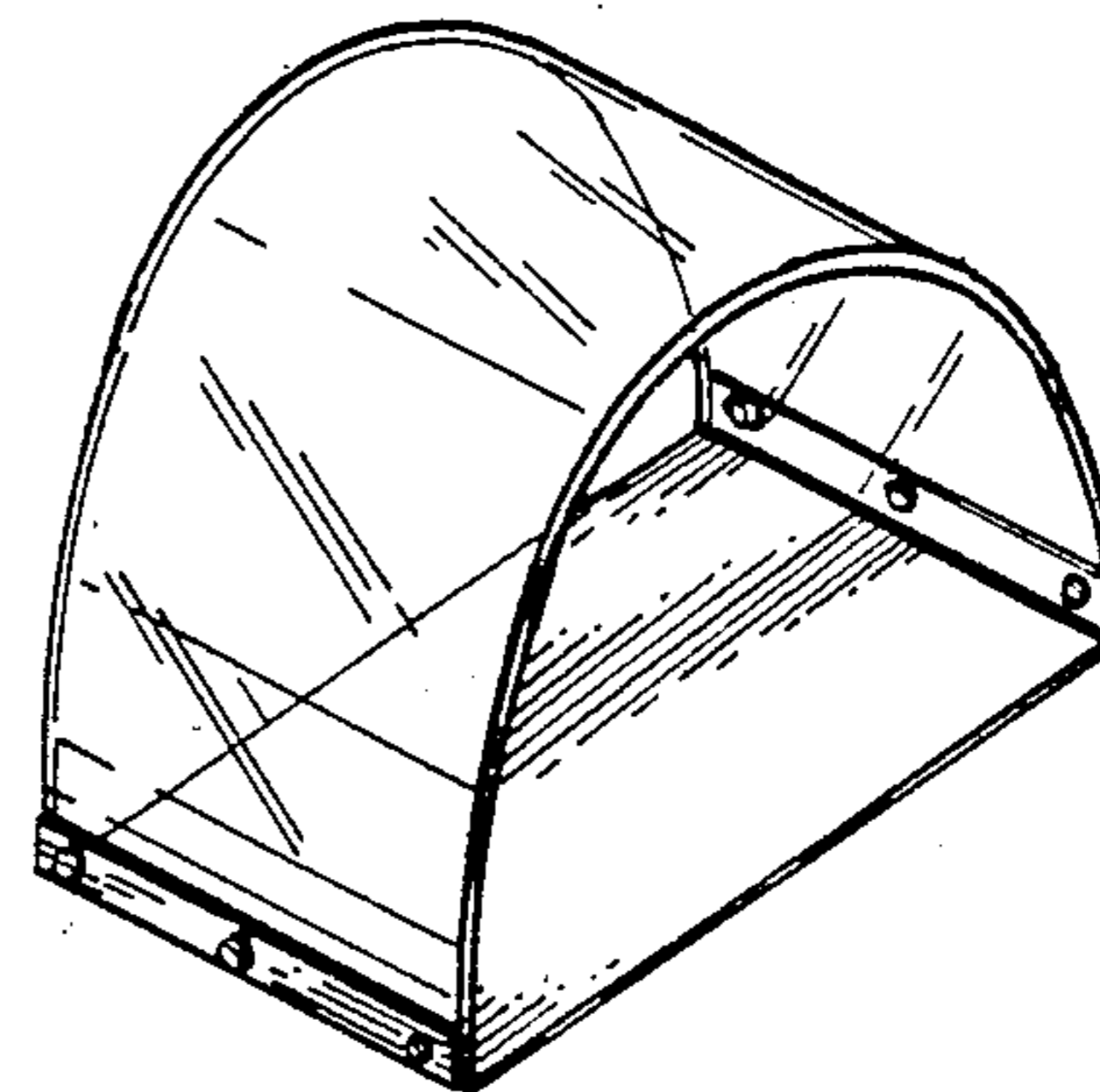
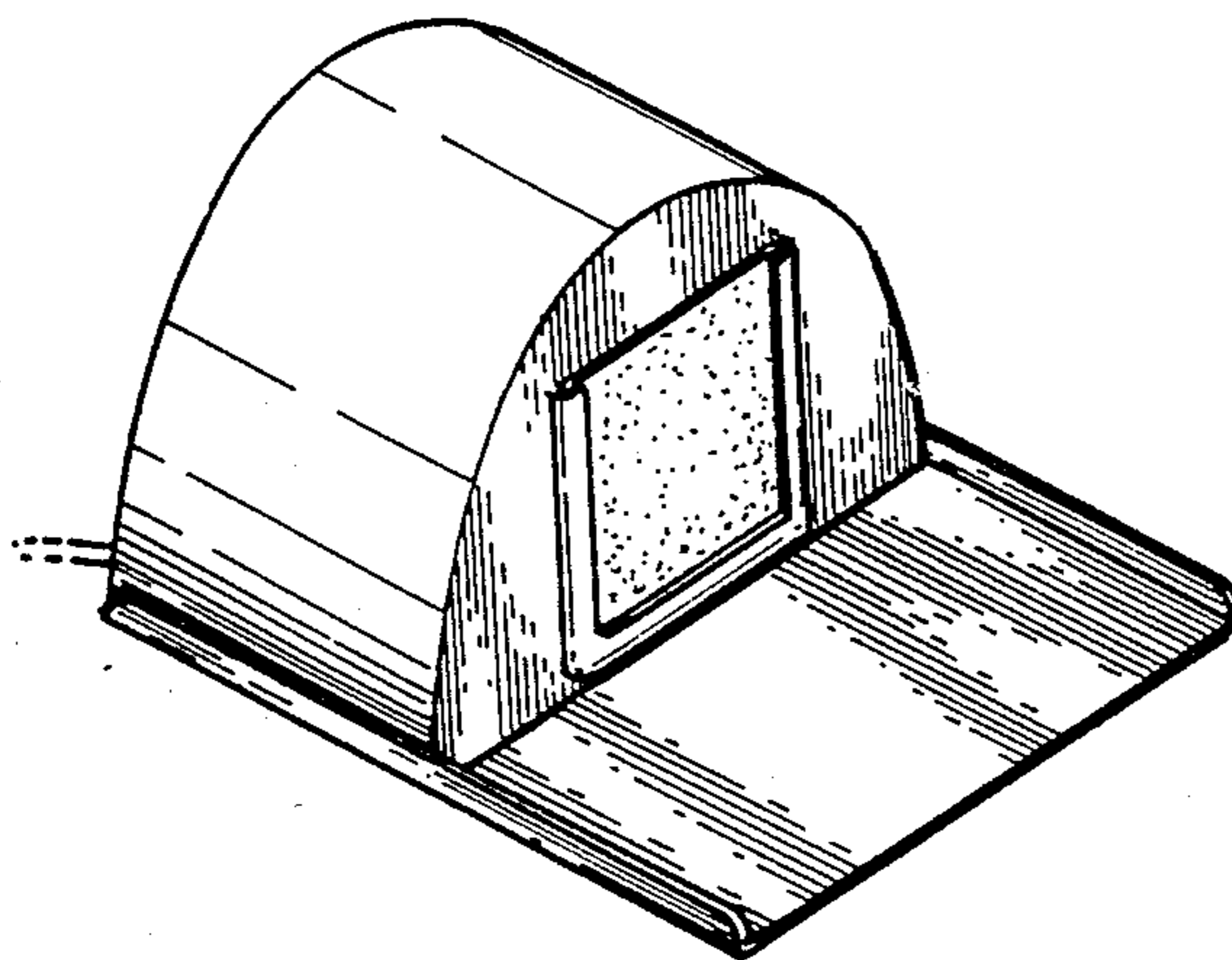
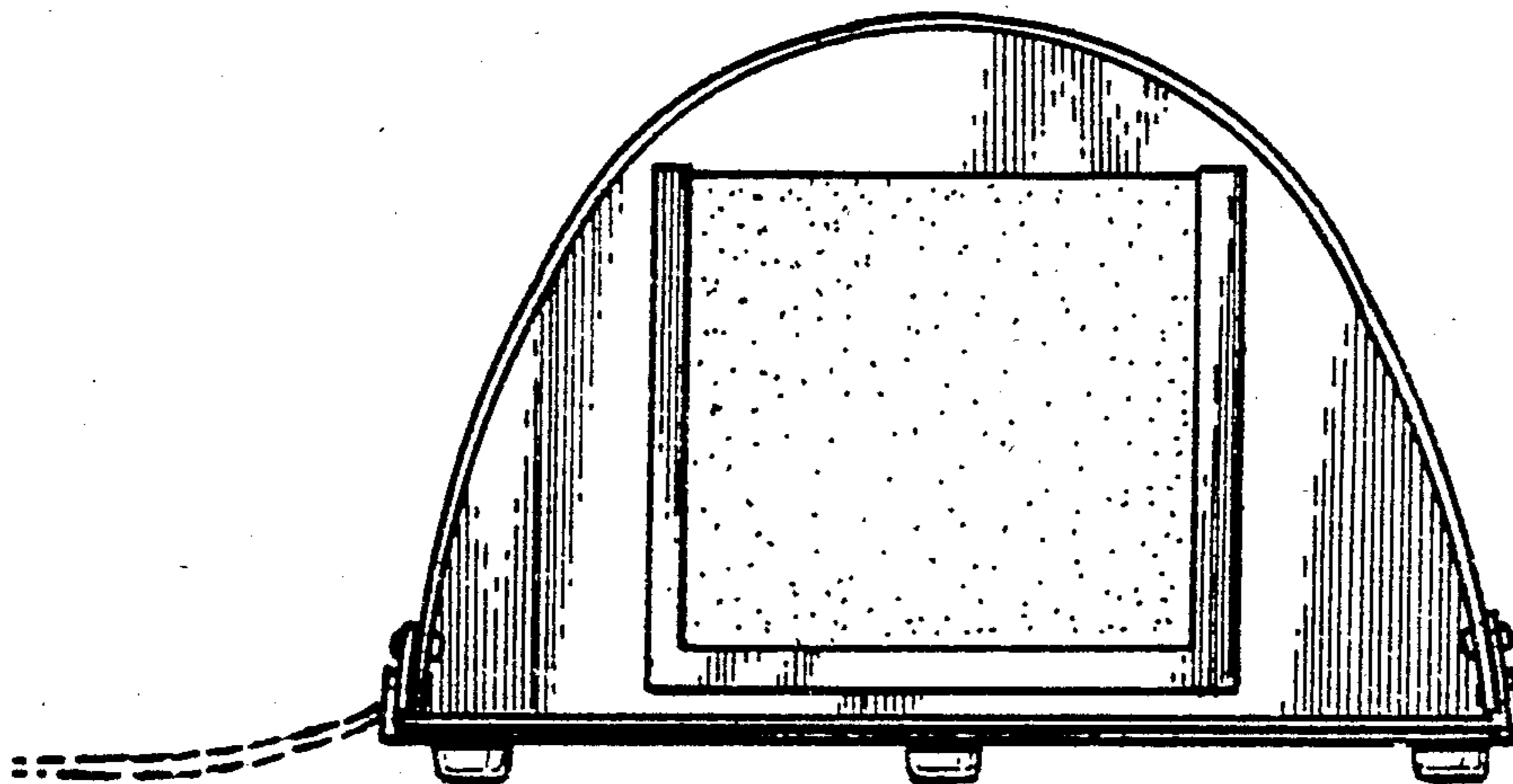


FIG. 1

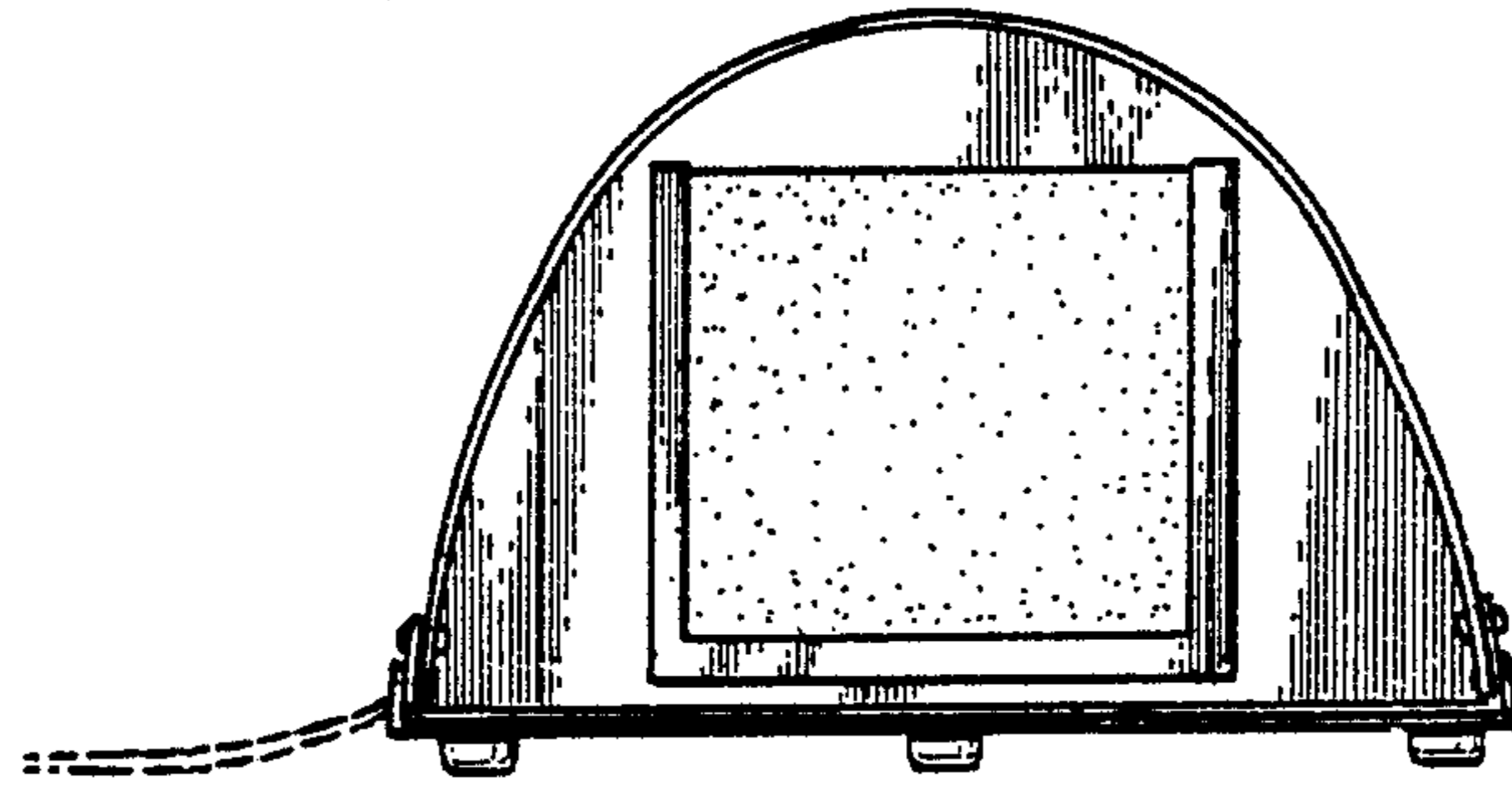


FIG. 2

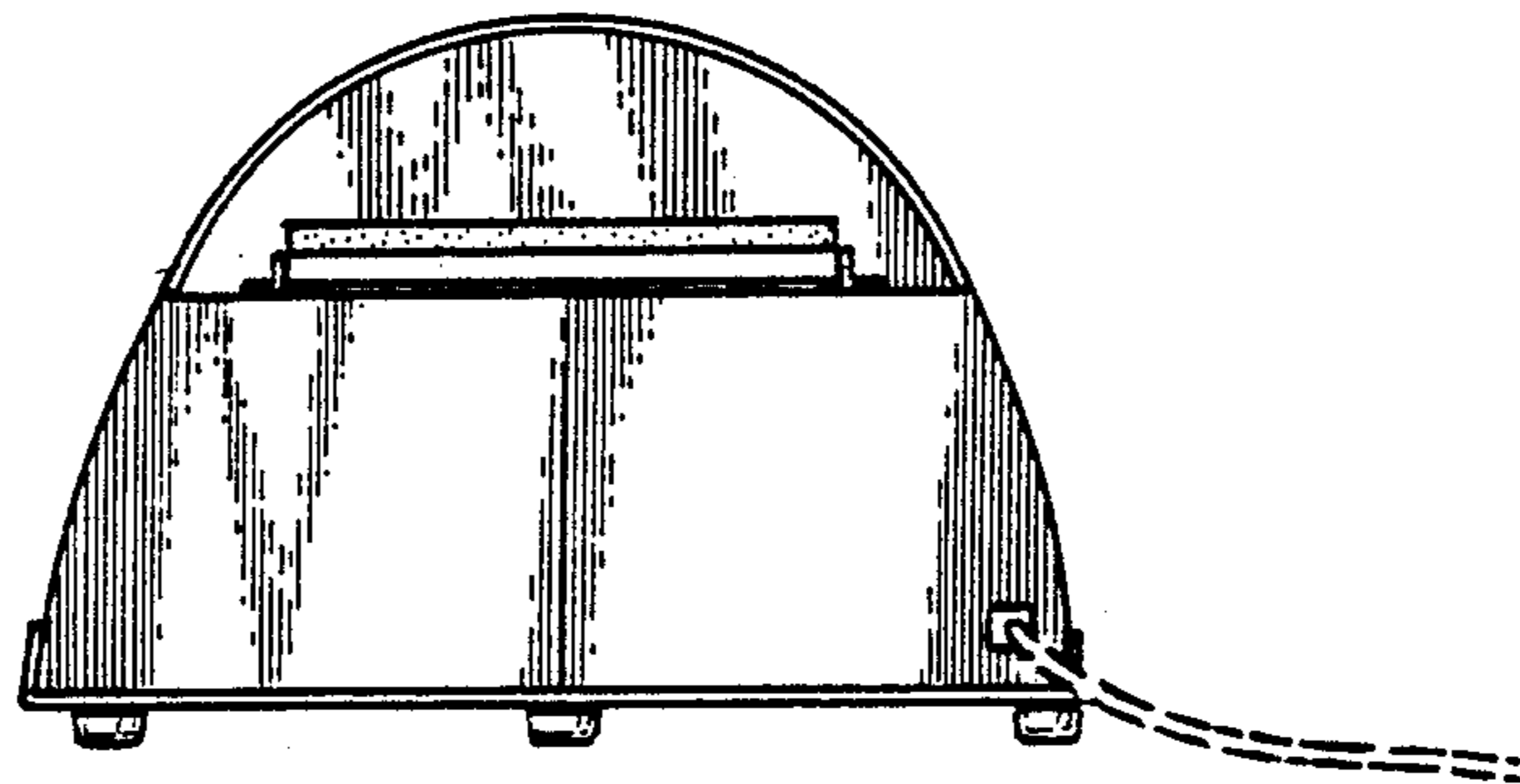


FIG. 3

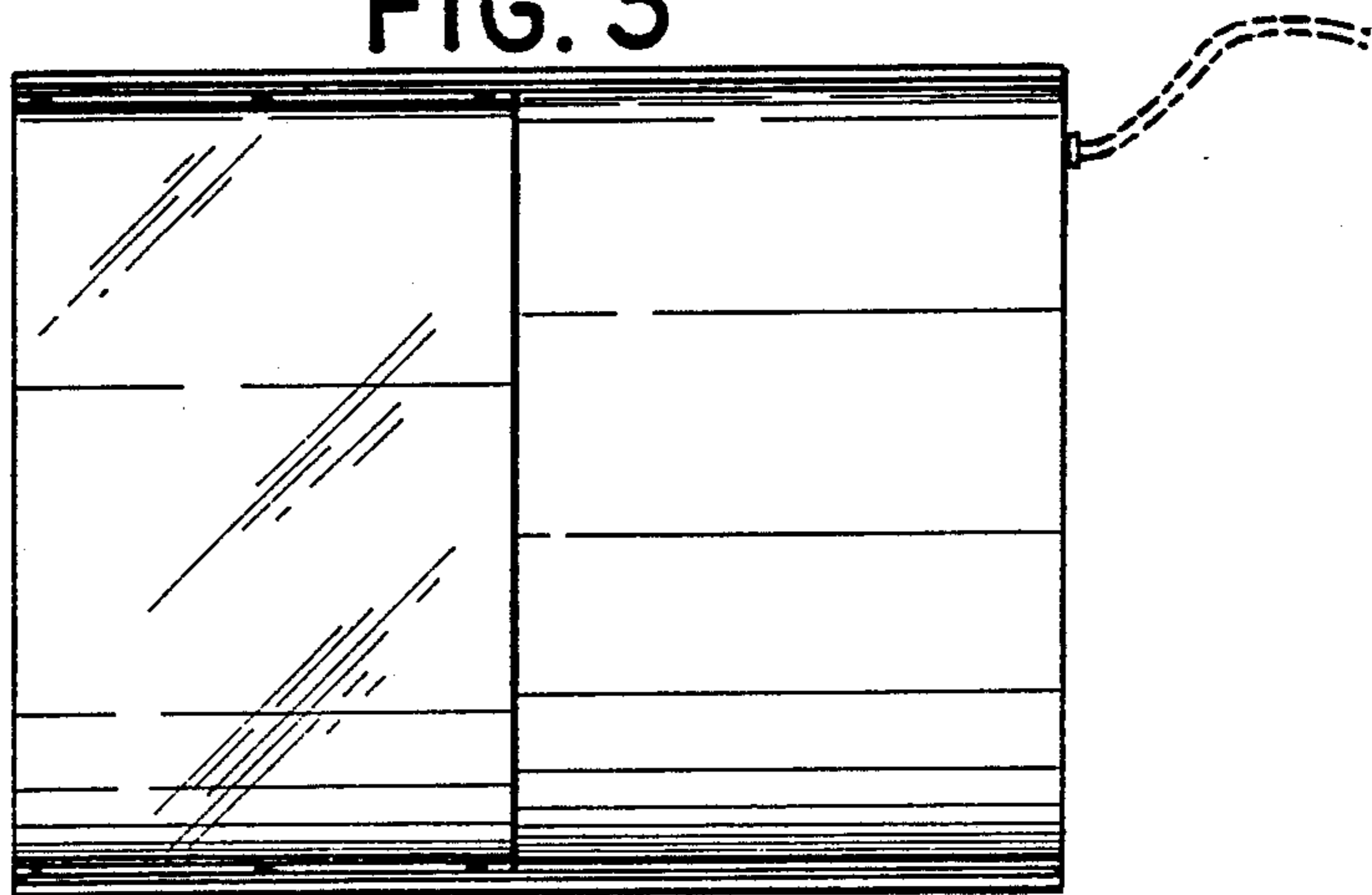


FIG. 4

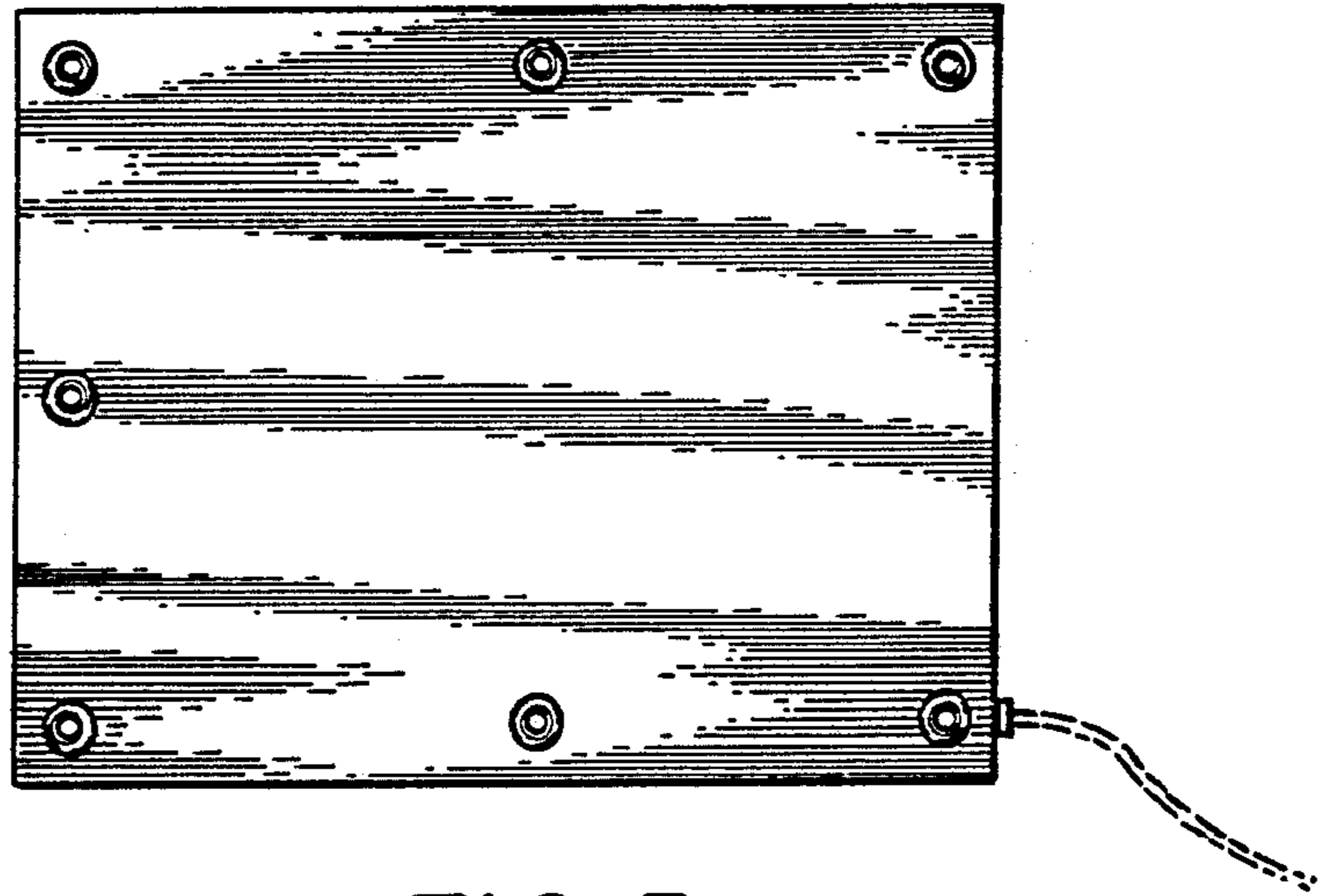


FIG. 5

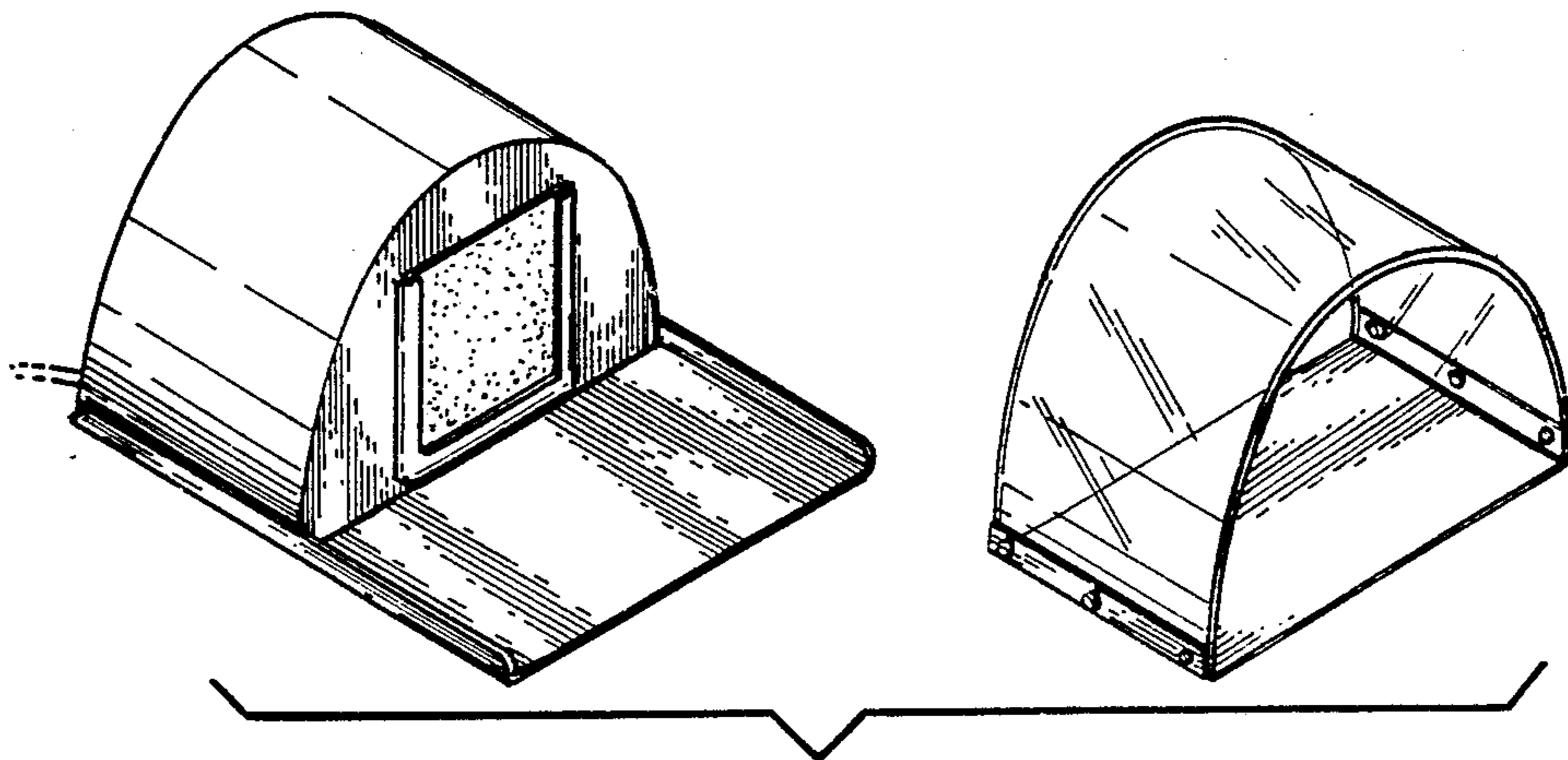
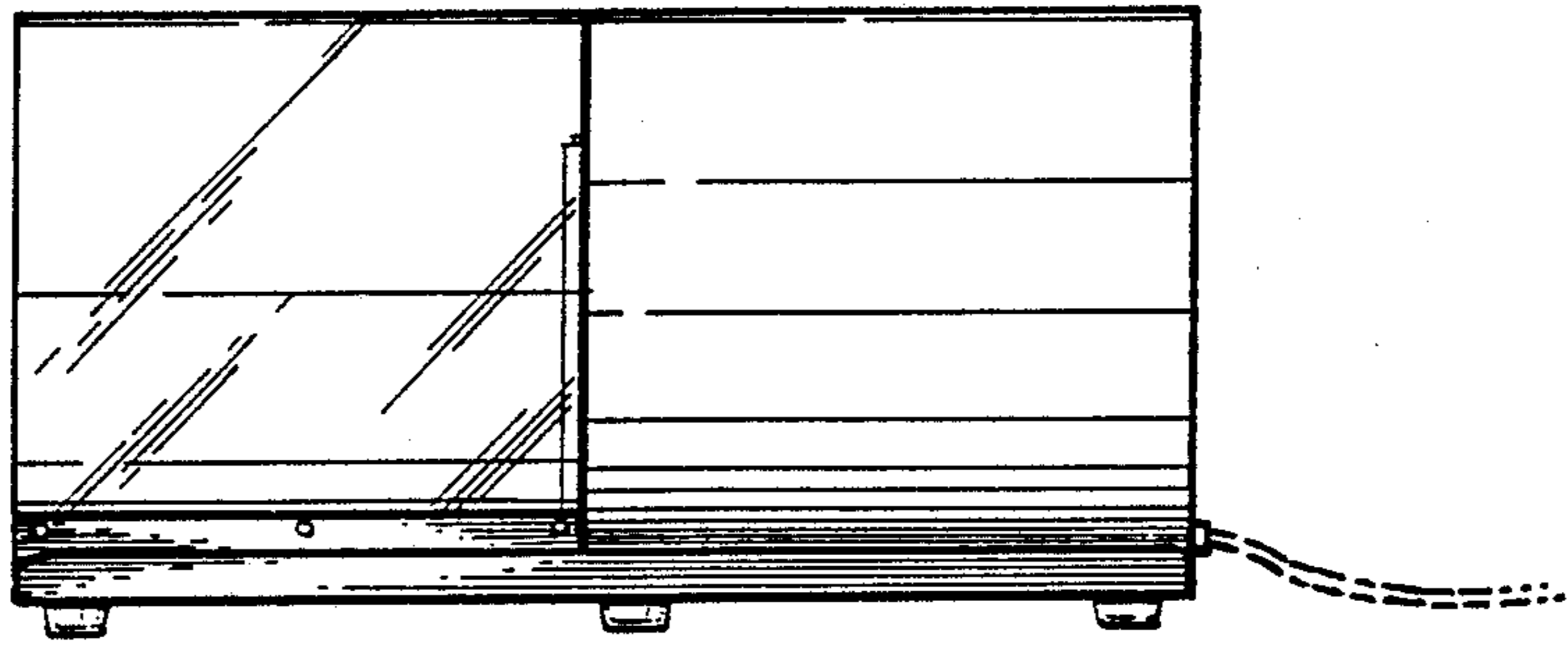


FIG. 6