

[54] GOLF PUTTER MALLET-BLADE HEAD

[76] Inventor: Raymon W. Cook, 13615 Pebble Way, San Antonio, Tex. 78231

[**] Term: 14 Years

[21] Appl. No.: 945,464

[22] Filed: Dec. 22, 1986

[52] U.S. Cl. D21/219

[58] Field of Search D21/214-220; 273/167-175, 77 R, 163 R

[56] References Cited

PUBLICATIONS

Golf World, 3/21/86, p. 5, Response ZT Putter.
Northwestern, 1976 Golf Cat., p. 27, middle, Putter No. 390-2600.

Sporting Goods Dealer, Sep., 1973, p. 223, Axaline Putter, extreme left.

Primary Examiner—Melvin B. Feifer
Attorney, Agent, or Firm—Thomas E. Sisson

[57] CLAIM

The ornamental design for a golf putter mallet-blade head, as shown.

DESCRIPTION

FIG. 1 is a top view of a golf putter mallet-blade head showing my new design.

FIG. 2 is a rear elevation view thereof.

FIG. 3 is a right side toe elevation view thereof.

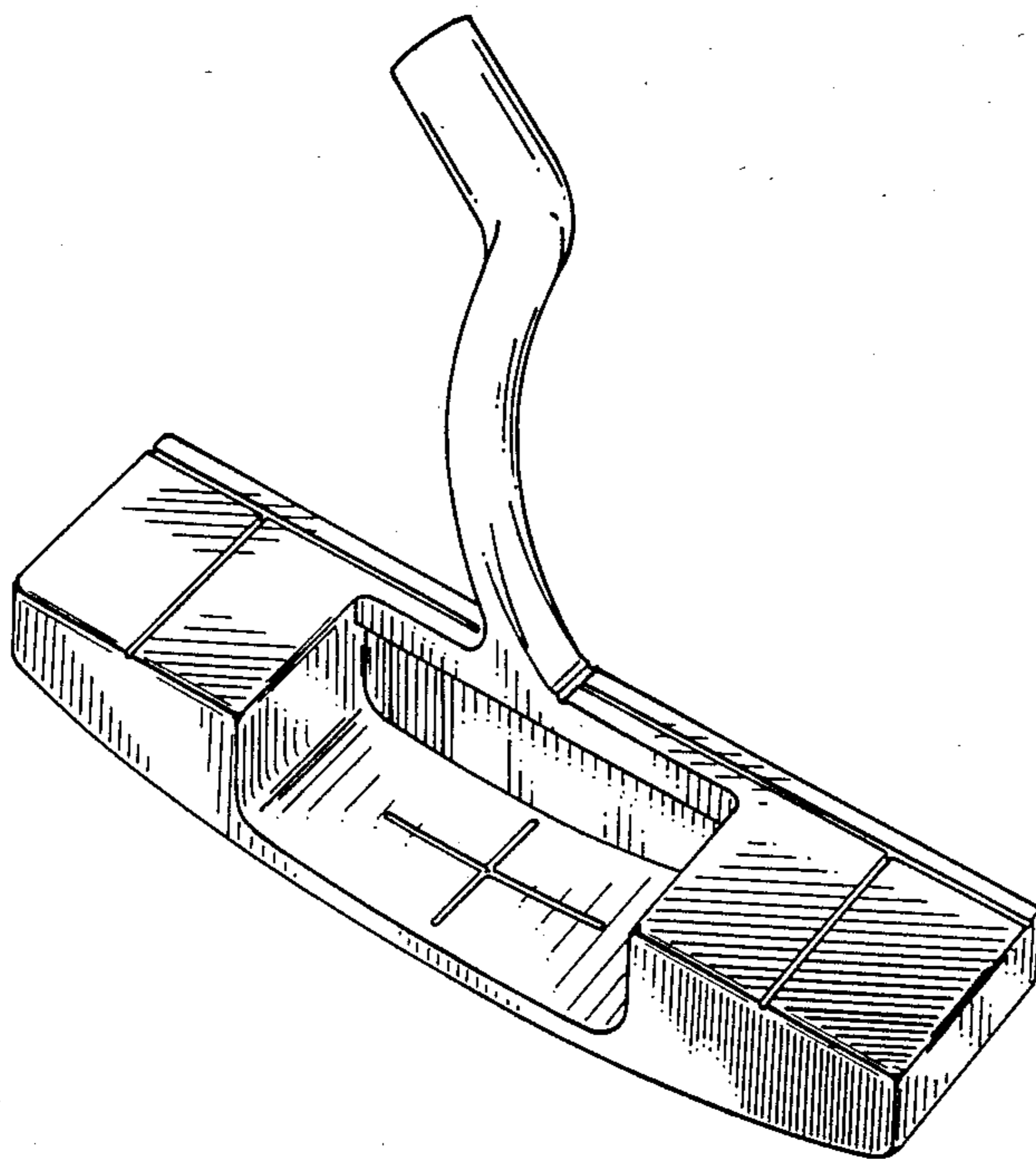
FIG. 4 is a front face elevation view thereof.

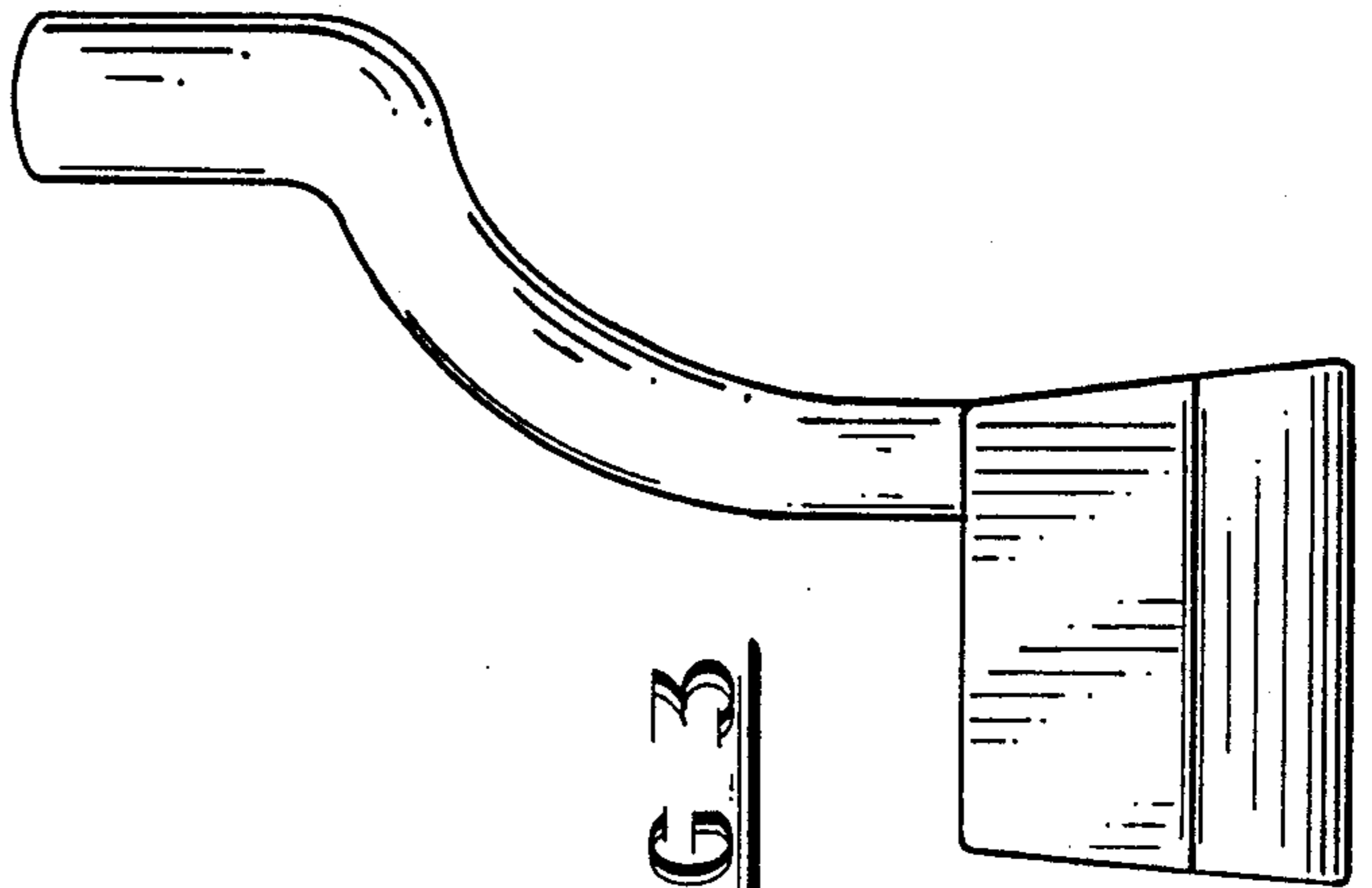
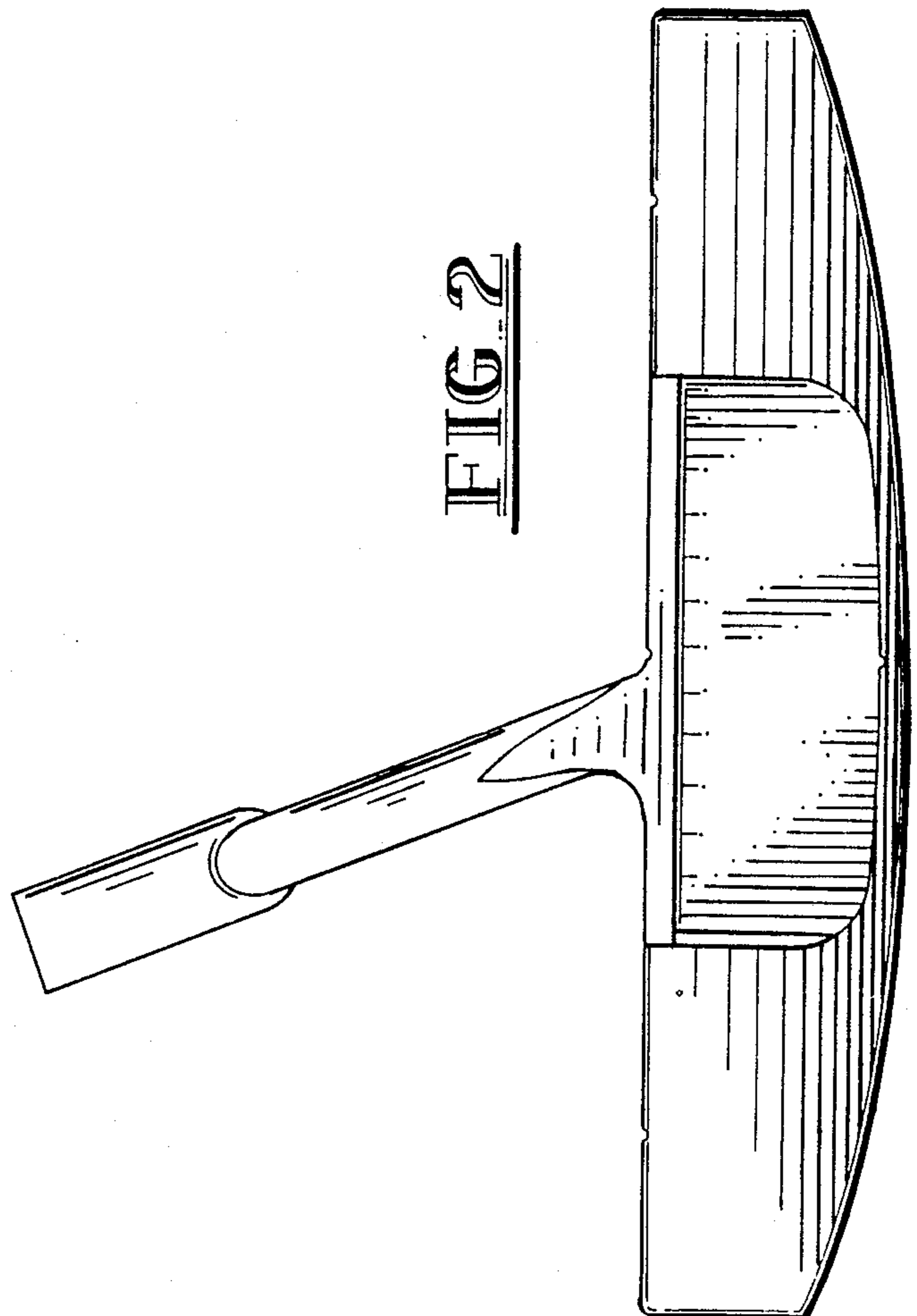
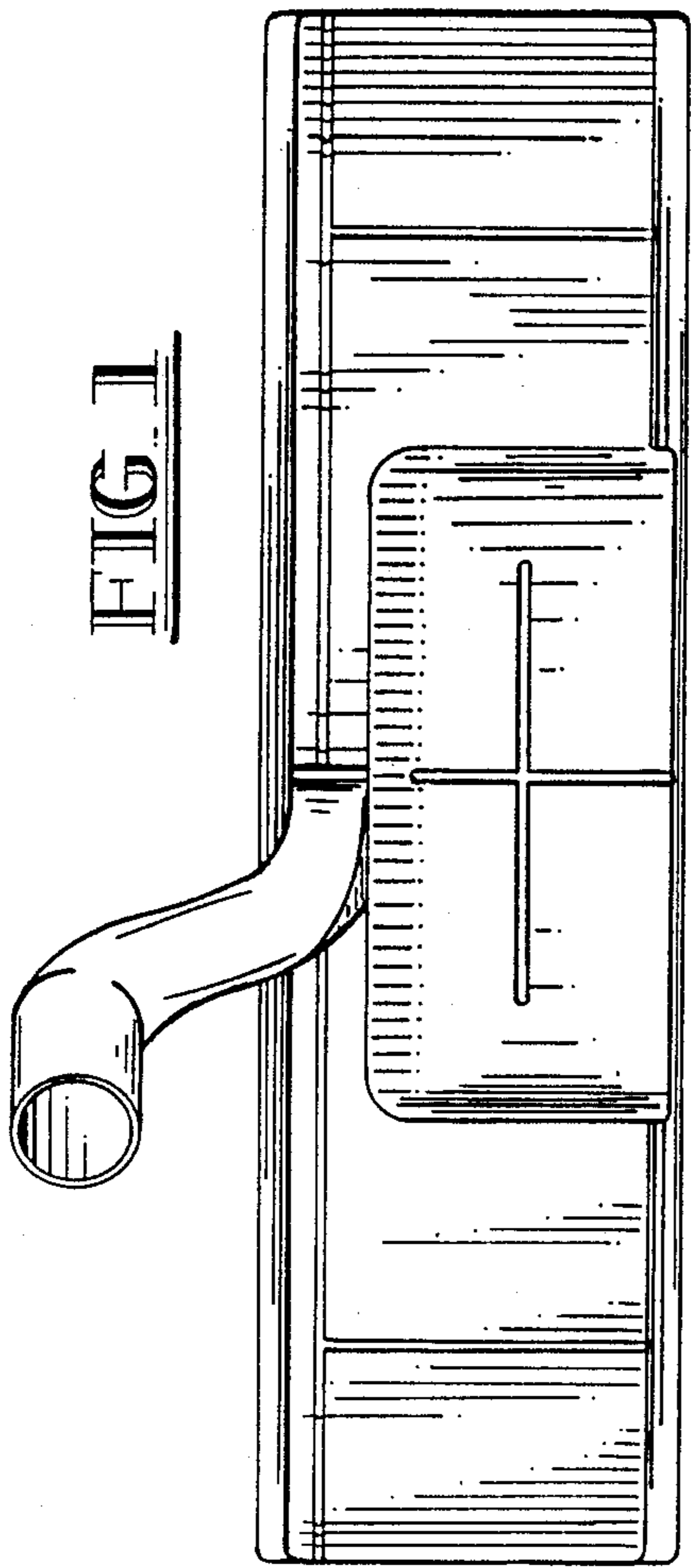
FIG. 5 is a bottom view thereof.

FIG. 6 is a left side heel elevation view thereof.

FIG. 7 is a rear perspective view thereof.

FIG. 8 is a front face perspective thereof.





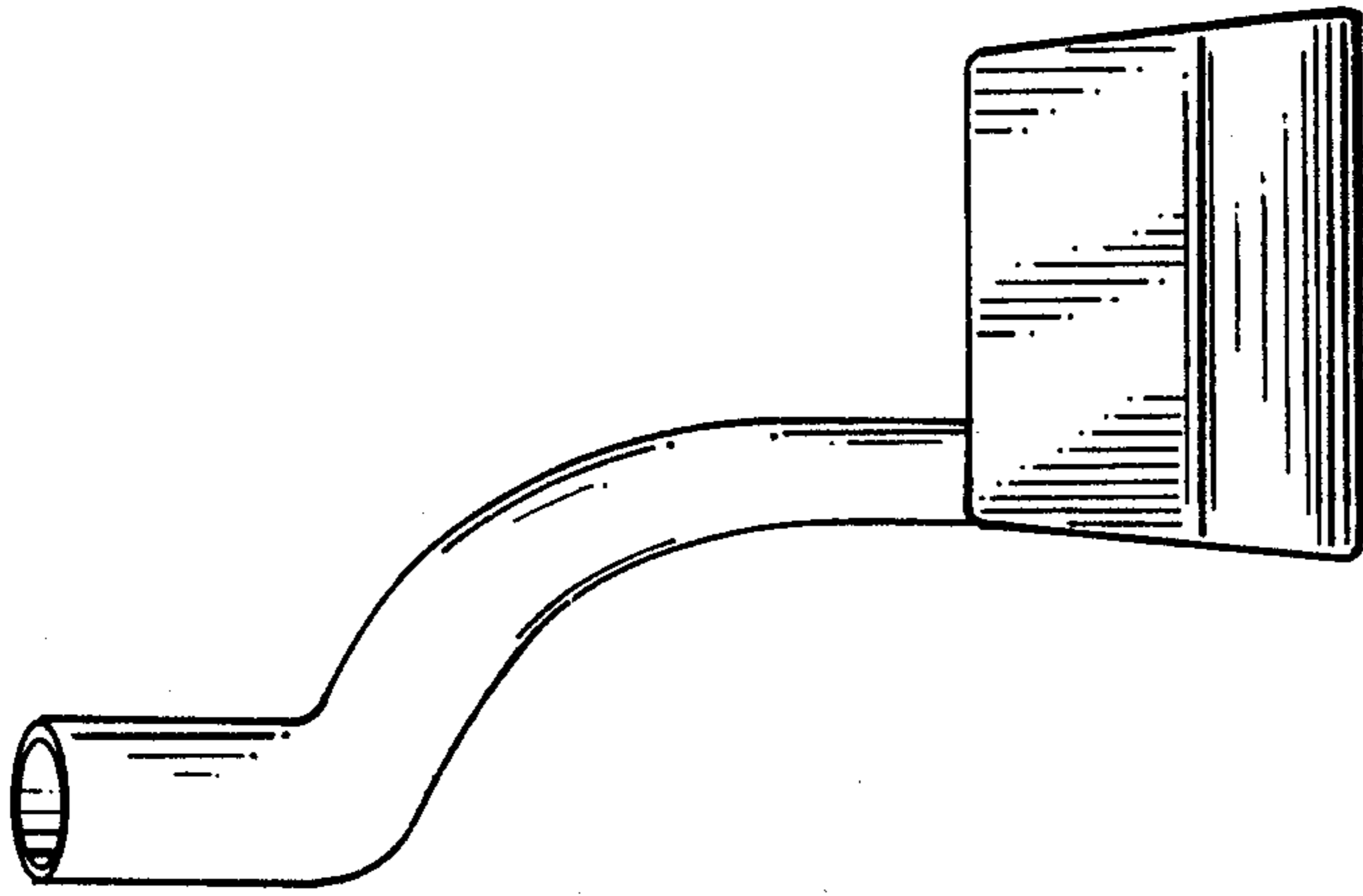


FIG. 6

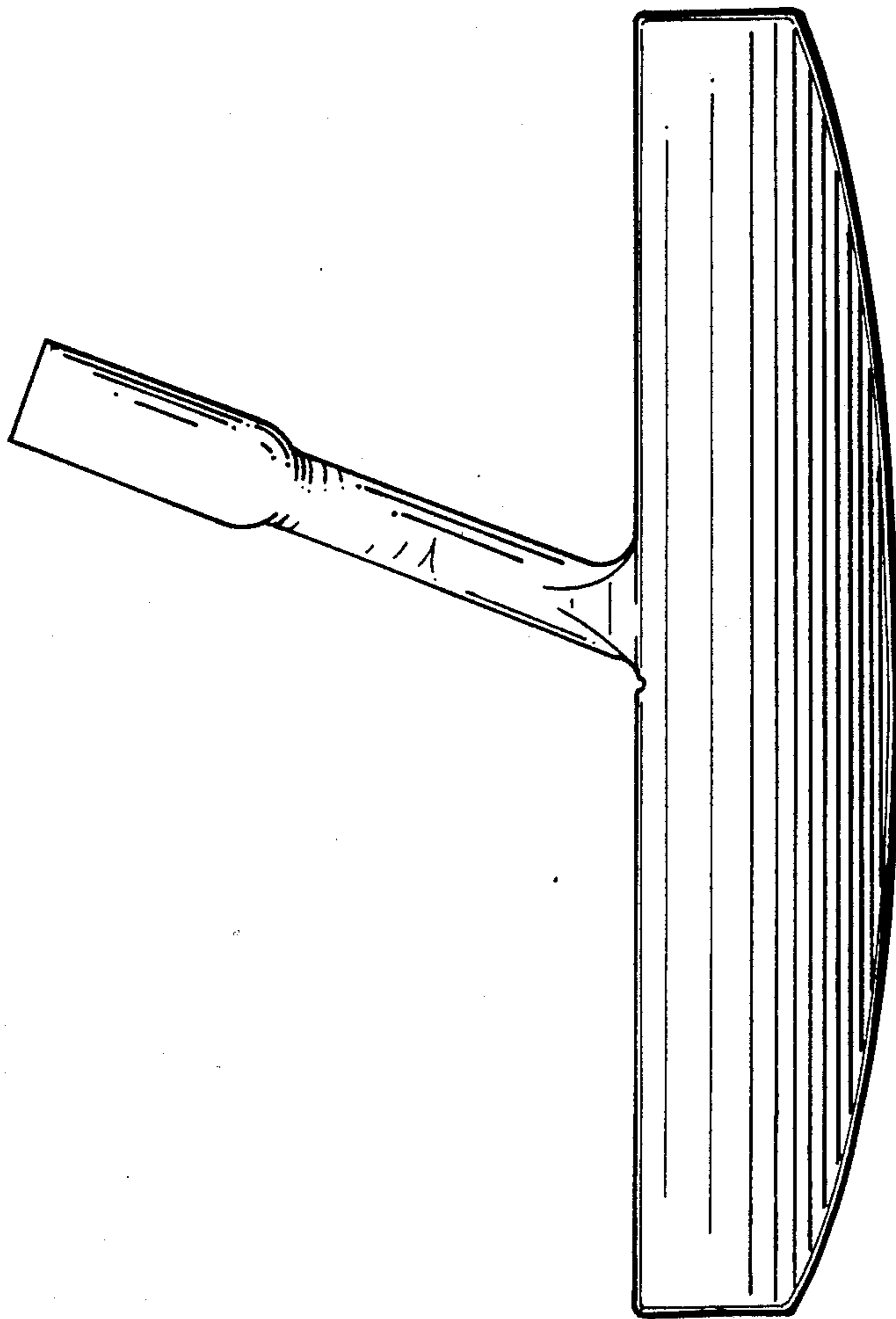


FIG. 4

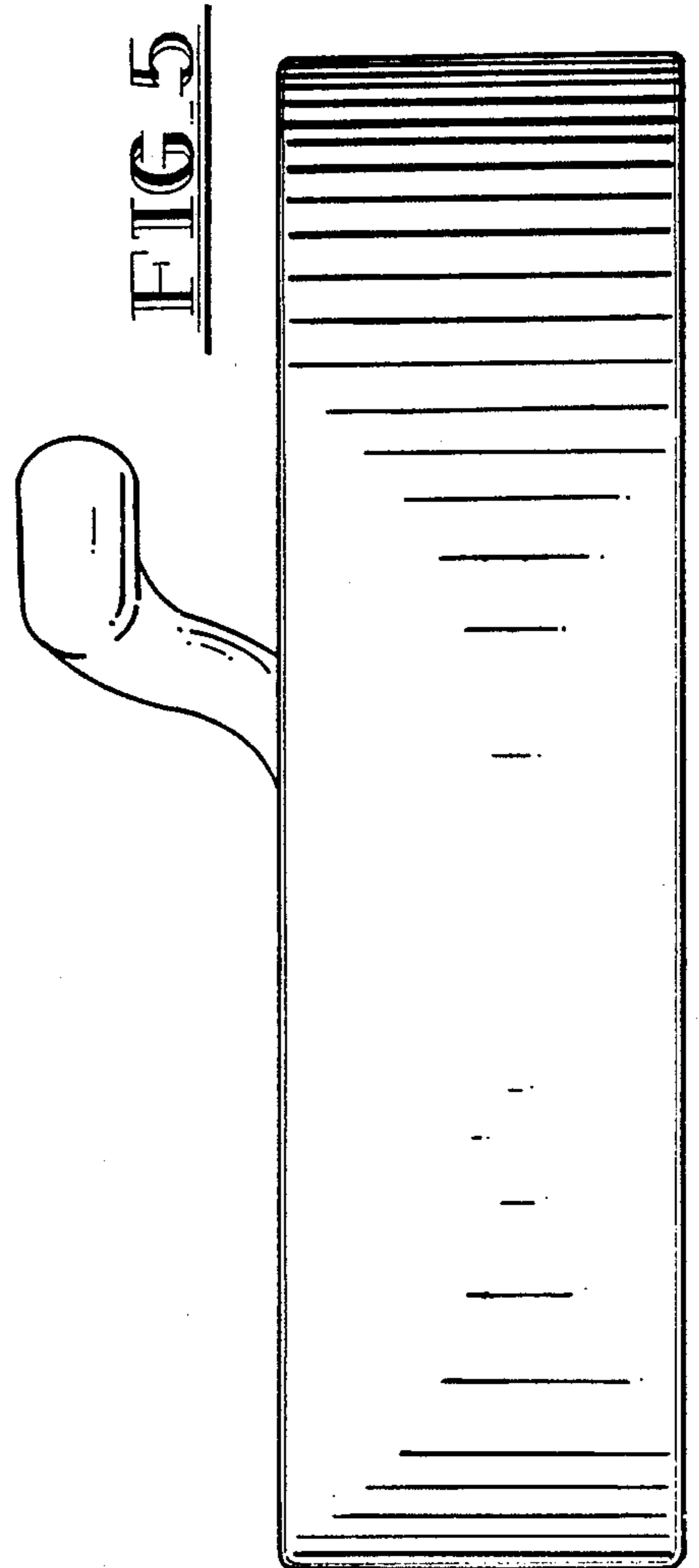


FIG. 5

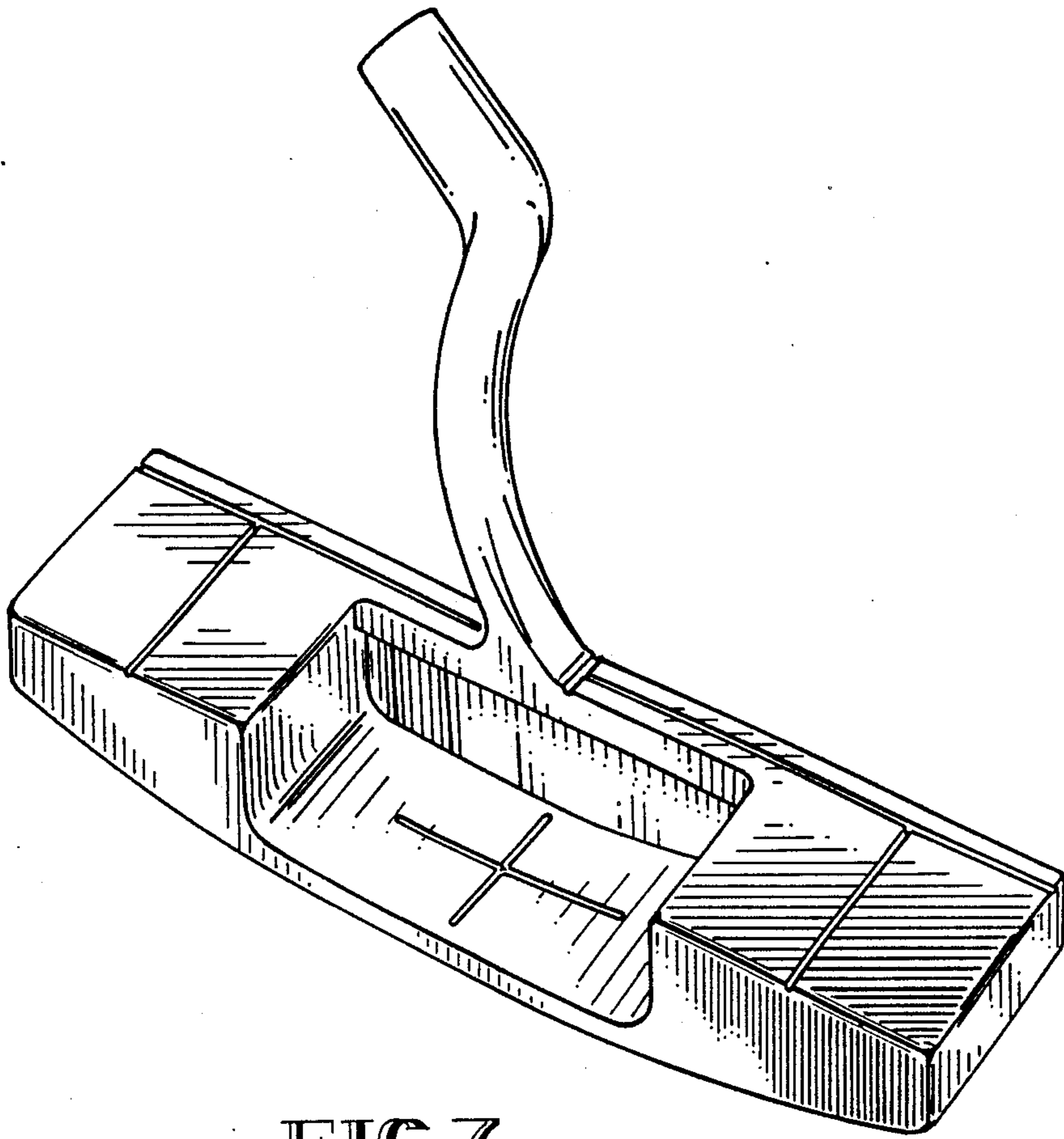


FIG 7

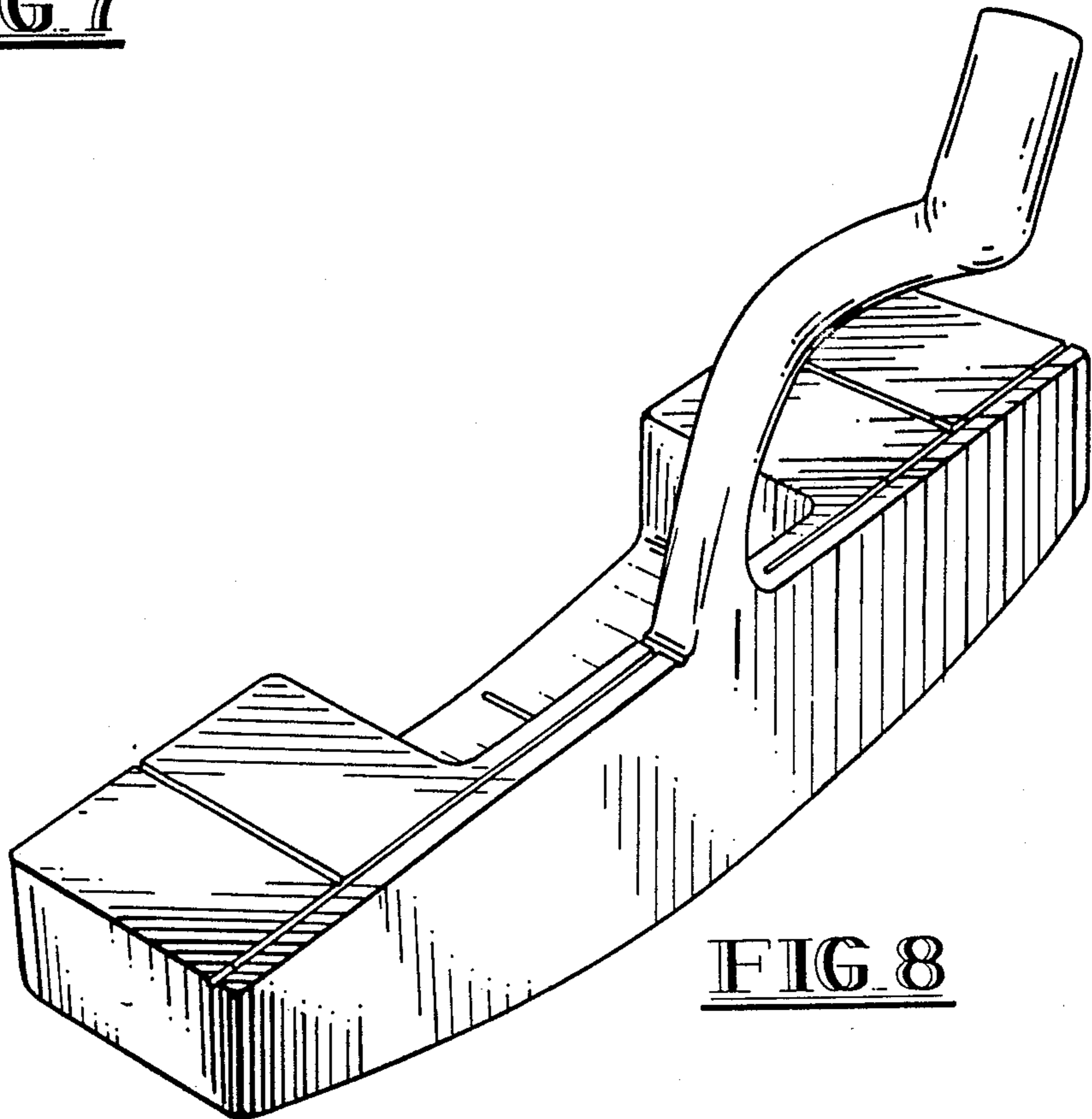


FIG 8