

[54] **GOLF PUTTER HEAD**

[76] Inventor: **Raymon W. Cook**, 13615 Pebble Way, San Antonio, Tex. 78231

[\*\*] Term: **14 Years**

[21] Appl. No.: **923,746**

[22] Filed: **Oct. 27, 1986**

[52] U.S. Cl. .... **D21/219**

[58] Field of Search ..... **D21/214-220;**  
**446/167-175, 163 R, 77 R**

[56] **References Cited**

**PUBLICATIONS**

Golf World, 9/15/78, p. 22, left, Putter.

Golf Magazine, 3/85, p. 81, lower left, Putter, TPA III.

Sporting Goods Dealer, 9/73, p. 233, Axaline Putter, extreme left.

*Primary Examiner*—Melvin B. Feifer  
*Attorney, Agent, or Firm*—Thomas E. Sisson

[57] **CLAIM**

The ornamental design for a golf putter head, as shown.

**DESCRIPTION**

FIG. 1 is a front face view of a golf putter head showing my new design.

FIG. 2 is a left side heel view thereof.

FIG. 3 is a bottom view thereof.

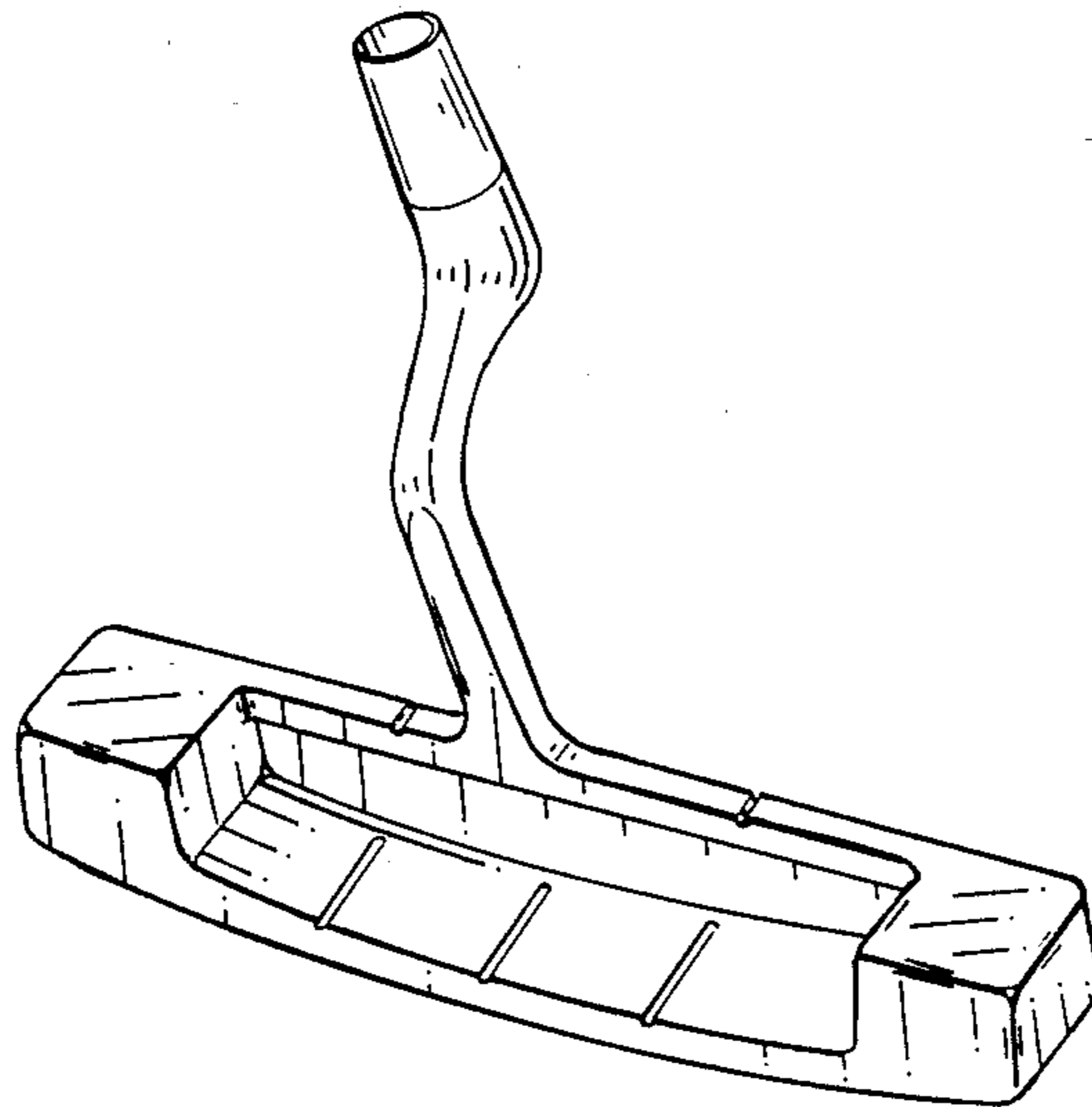
FIG. 4 is a front face perspective view thereof.

FIG. 5 is a top view thereof.

FIG. 6 is a rear view thereof.

FIG. 7 is a right side toe view thereof.

FIG. 8 is a rear perspective view thereof.



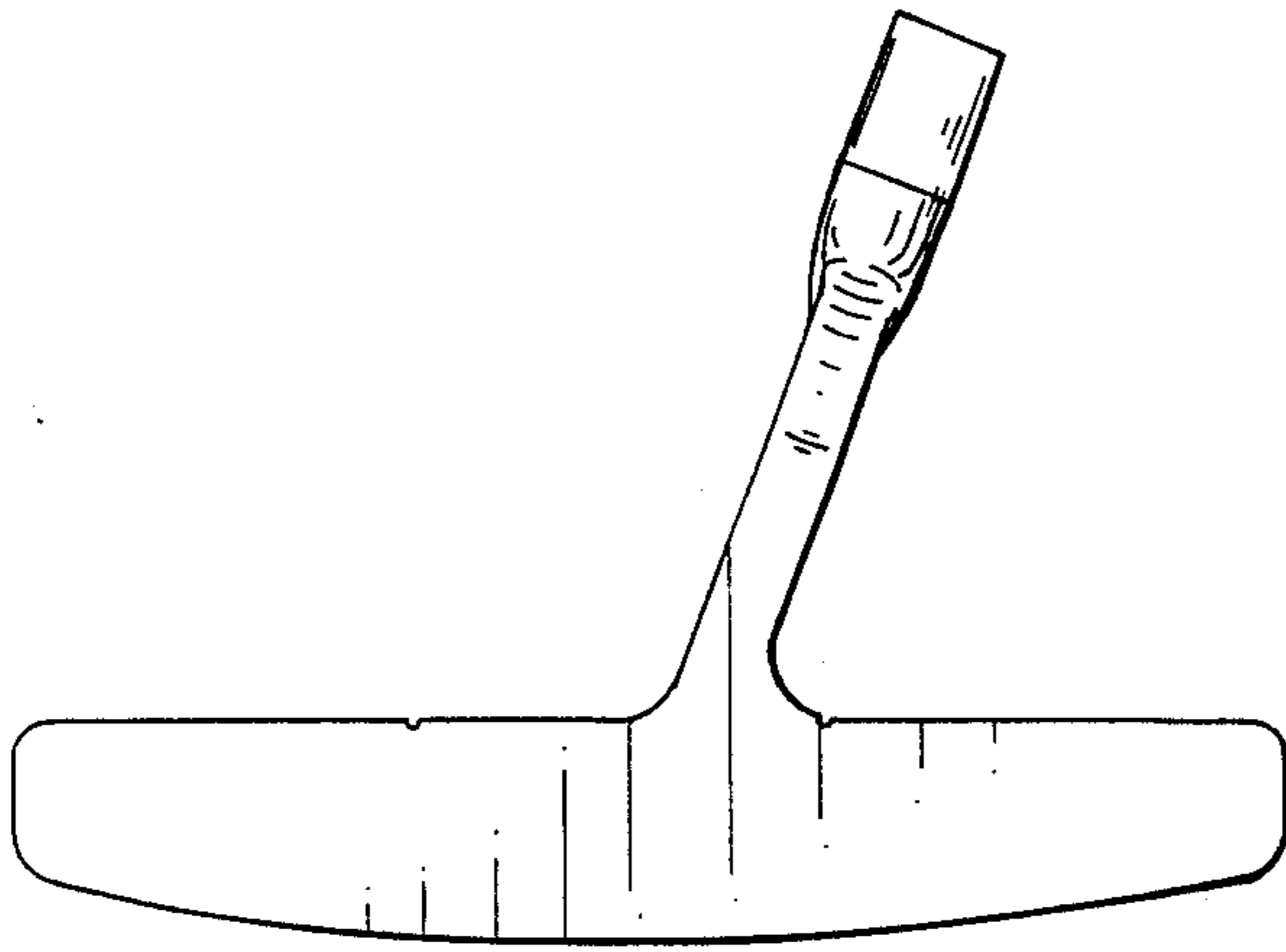


FIG. 1

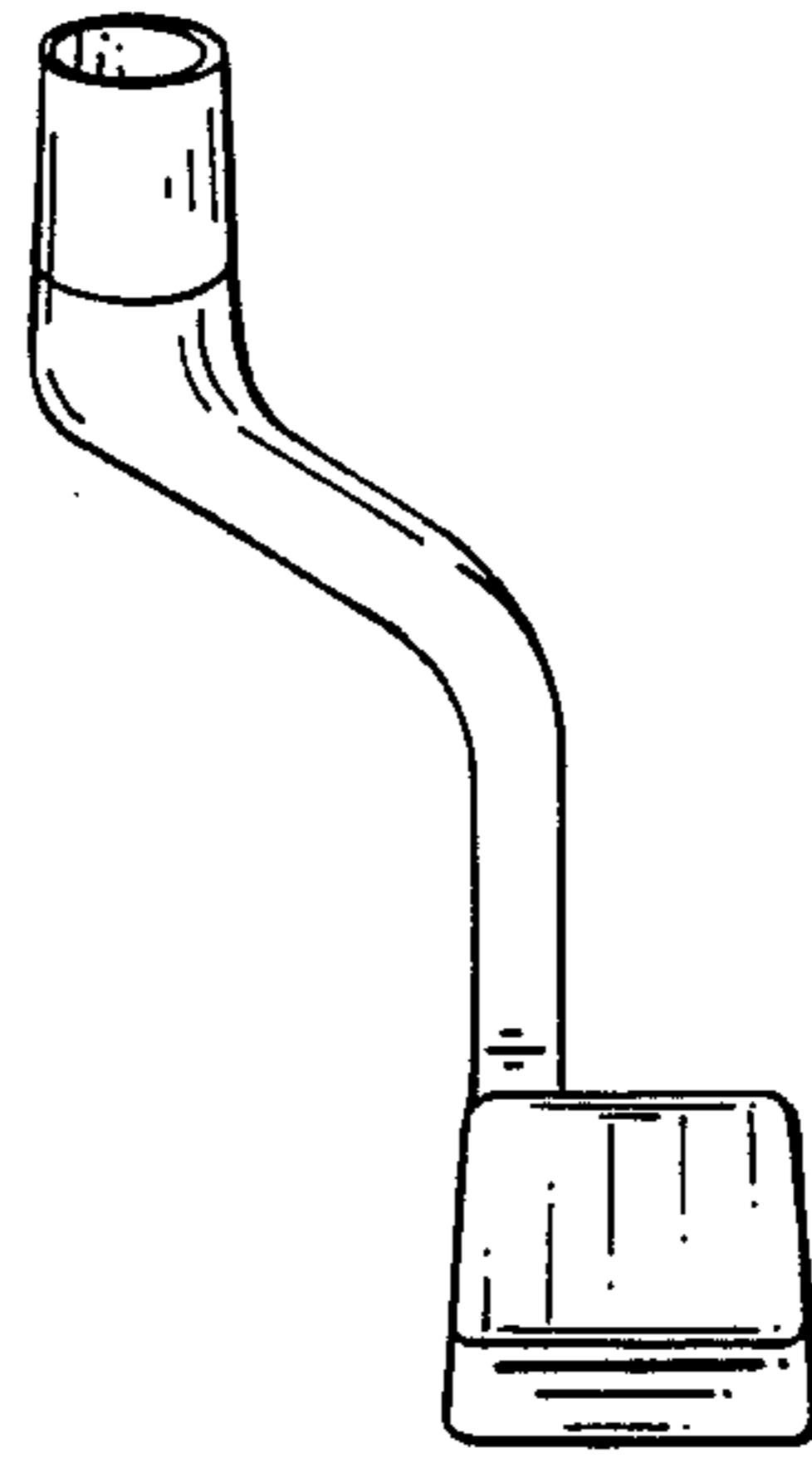


FIG. 2

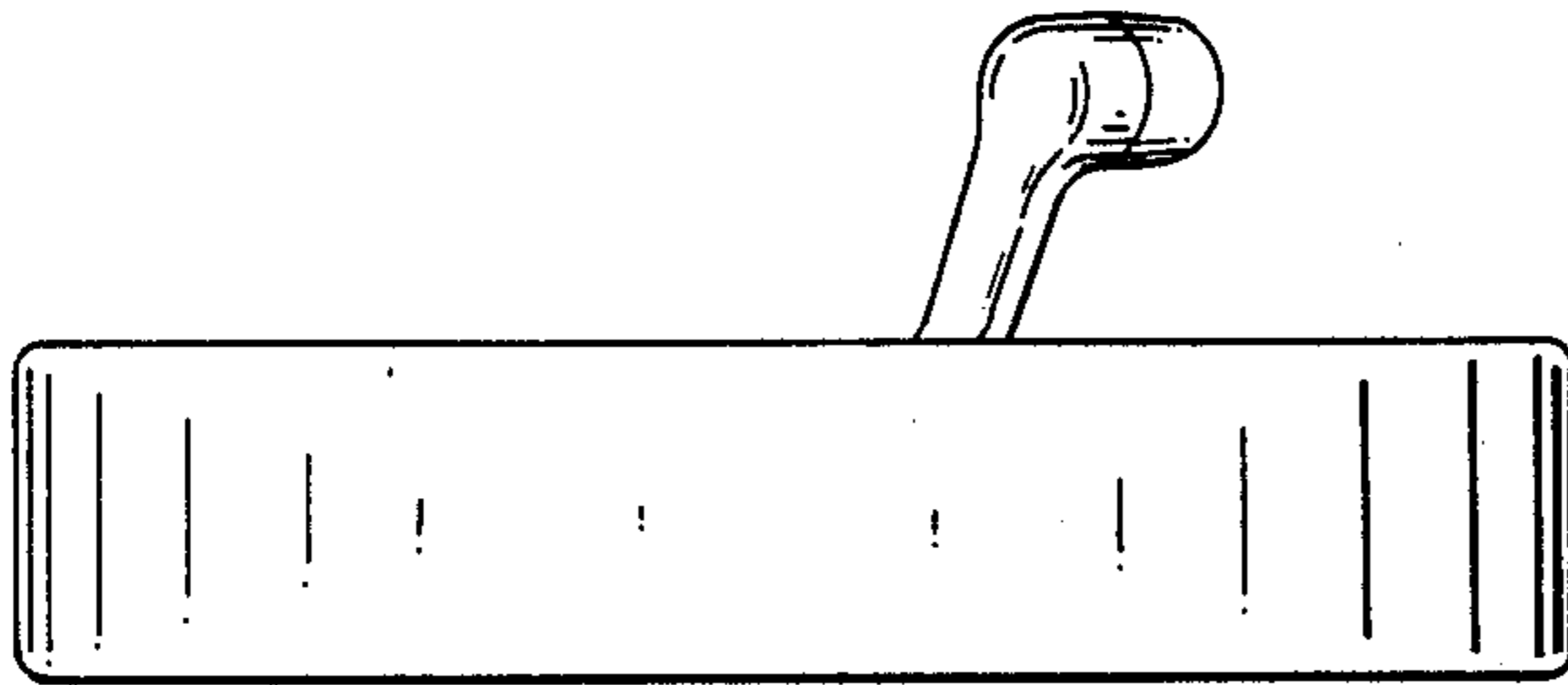


FIG. 3

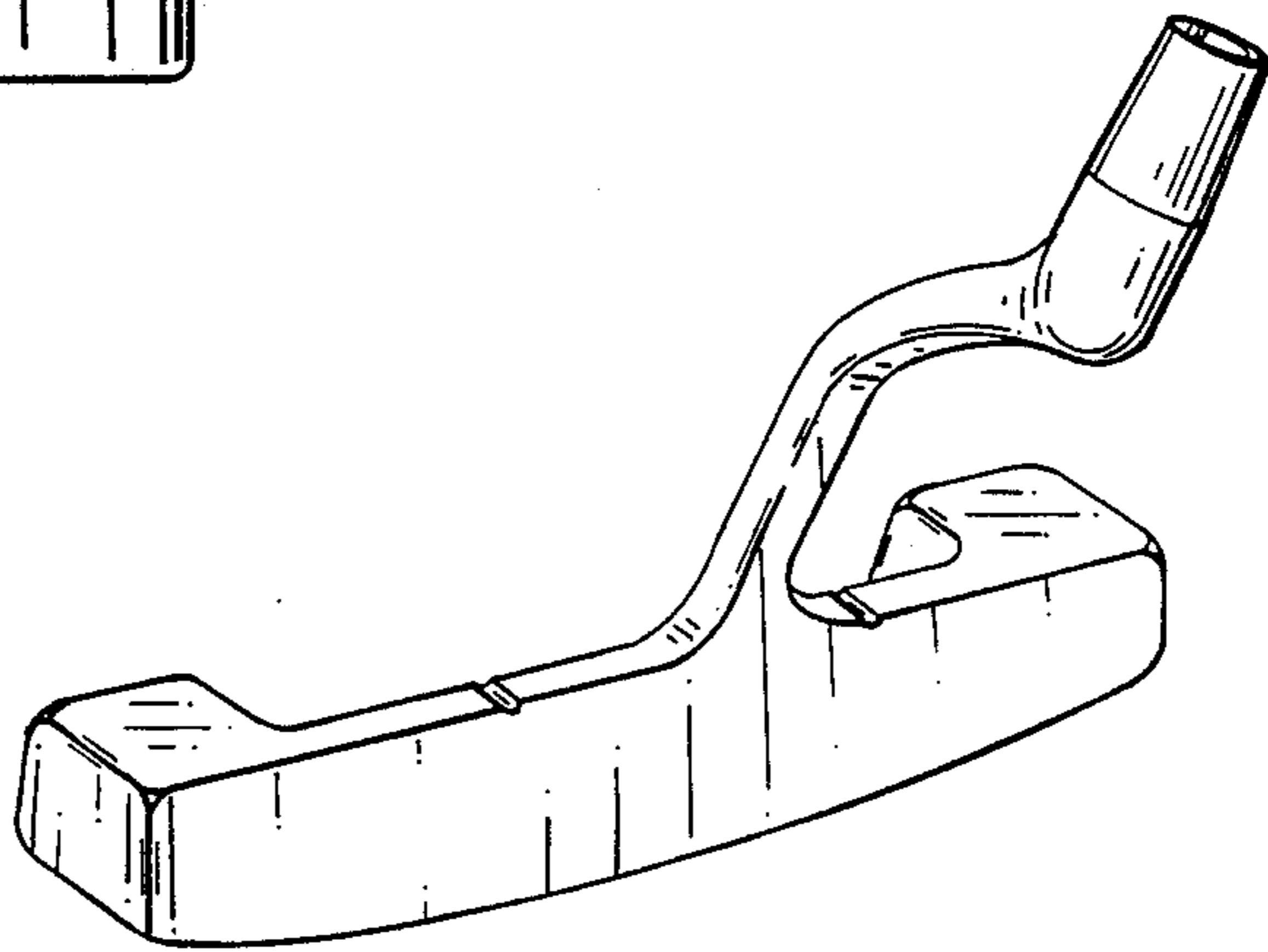


FIG. 4

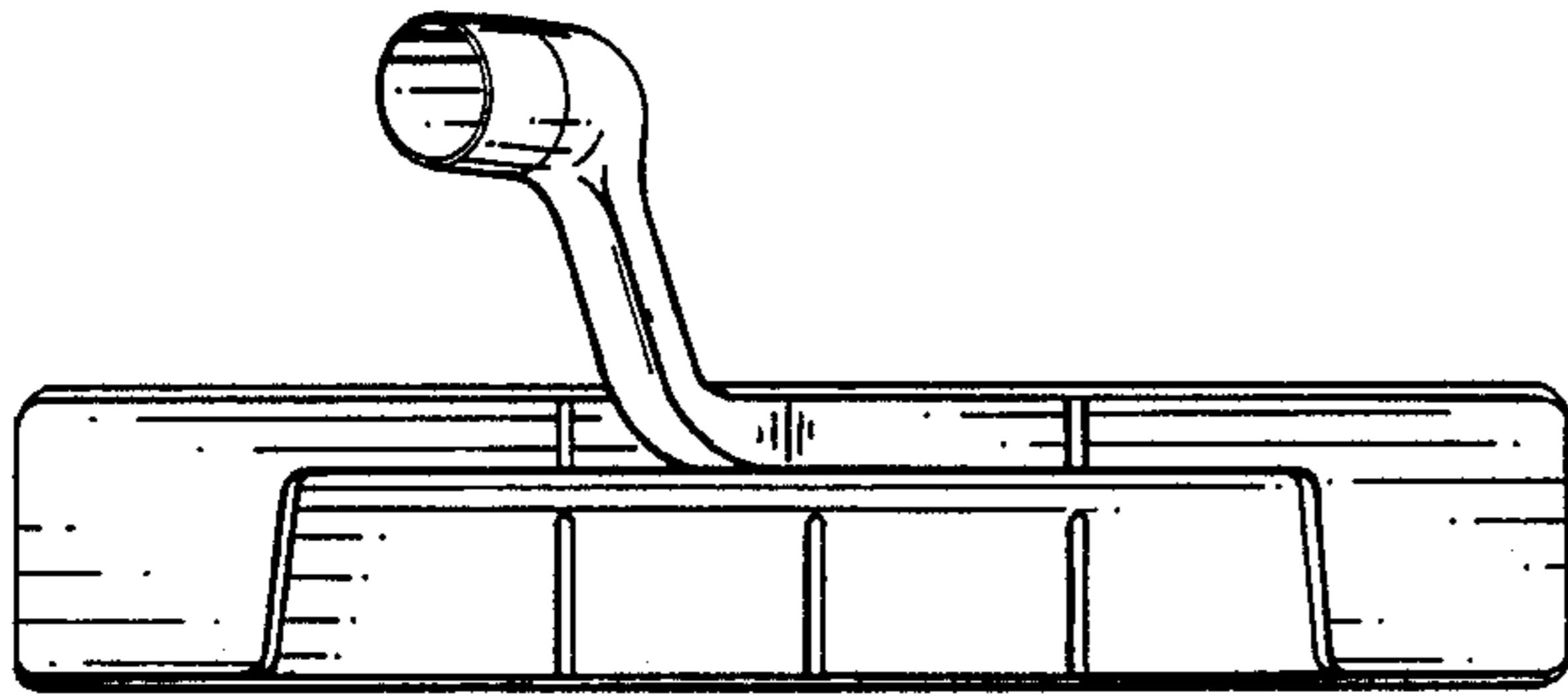


FIG. 5

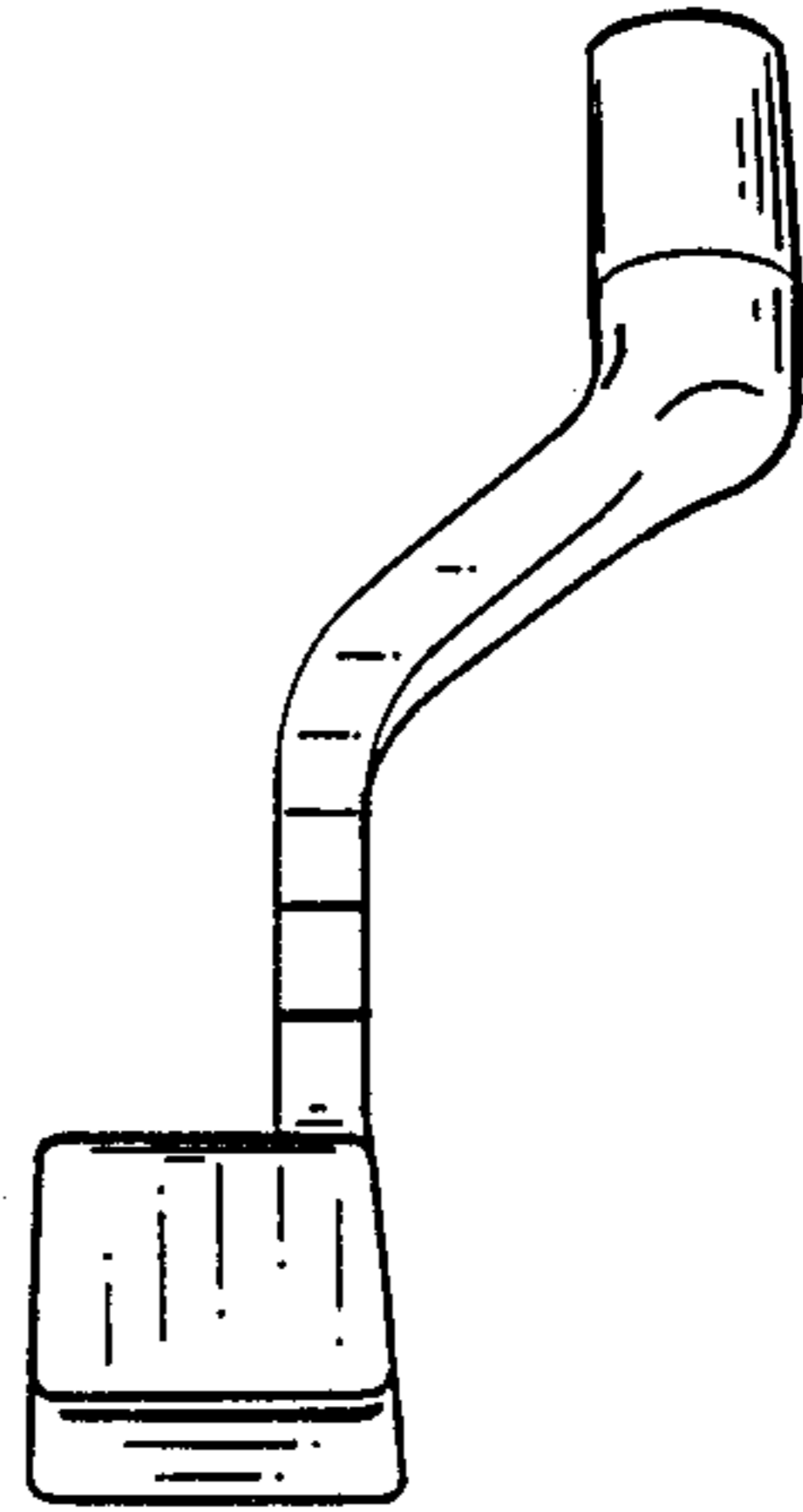


FIG. 7

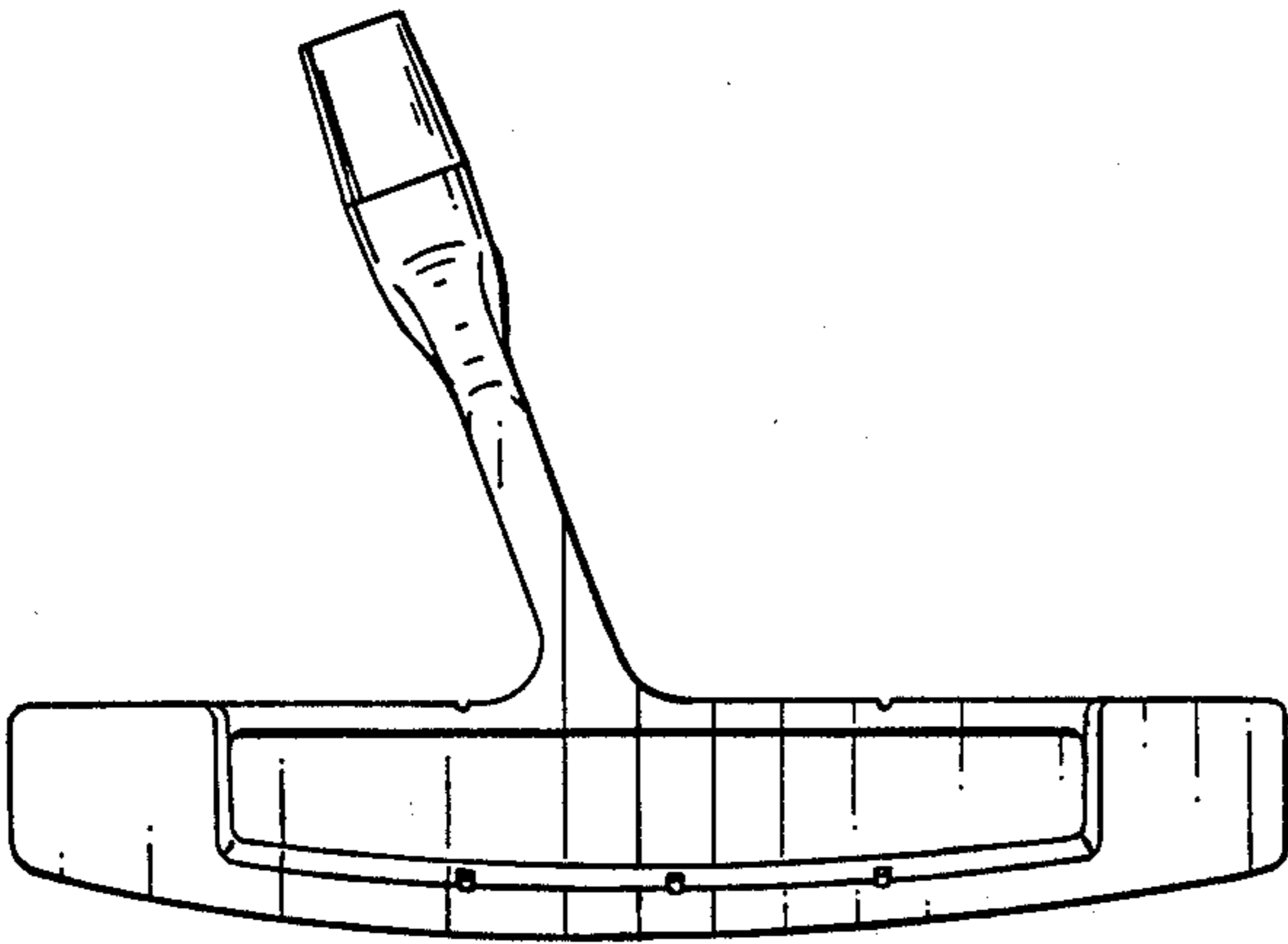


FIG. 6

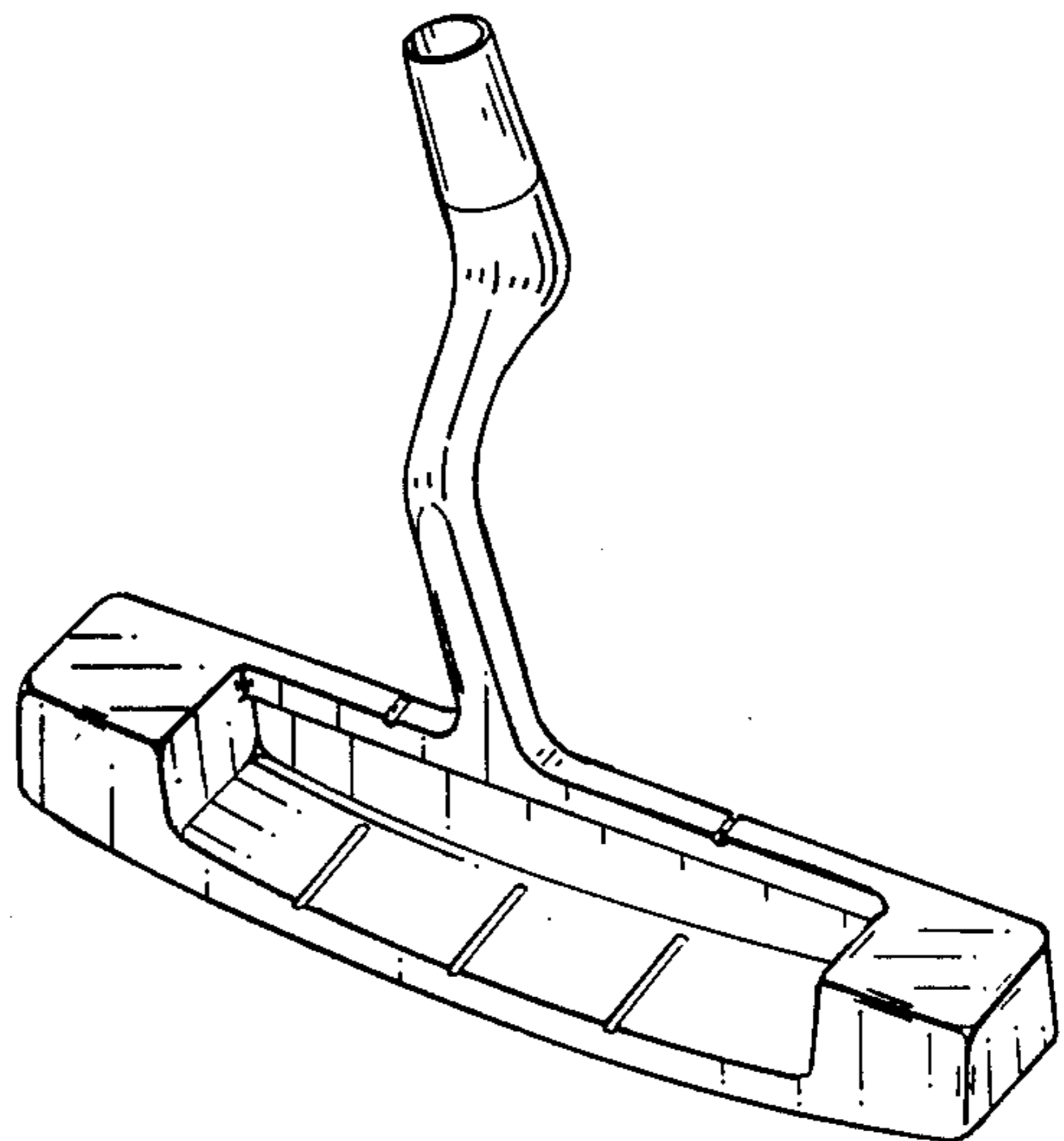


FIG. 8