

United States Patent [19]

Beistegui

[11] Patent Number: **Des. 305,677**

[45] Date of Patent: **** Jan. 23, 1990**

[54] **PEDALLING EXERCISER**

[75] Inventor: **Jose L. Beistegui, Vitoria Alava, Spain**

[73] Assignee: **501 B.H. Holdings, Limited, St. Helier, Channel Islands**

[**] Term: **14 Years**

[21] Appl. No.: **123,992**

[22] Filed: **Nov. 23, 1987**

[30] **Foreign Application Priority Data**

May 26, 1987 [ES] Spain 113153

[52] U.S. Cl. **21/194**

[58] Field of Search D21/191-199;
272/73, 70.1, 70.2, 70.3, 73.1; D6/375, 374;
73/379

[56] **References Cited**

U.S. PATENT DOCUMENTS

D. 218,107 7/1970 Feather et al. D21/194

D. 256,299	8/1980	MacGready	D6/375
D. 279,947	8/1985	Ballarini	D6/375
D. 298,641	11/1988	Sheltra	D21/194
D. 300,047	2/1989	Sheltra	D21/194
4,717,146	1/1988	Nohara	272/73
4,796,882	1/1989	Jiumr	272/73

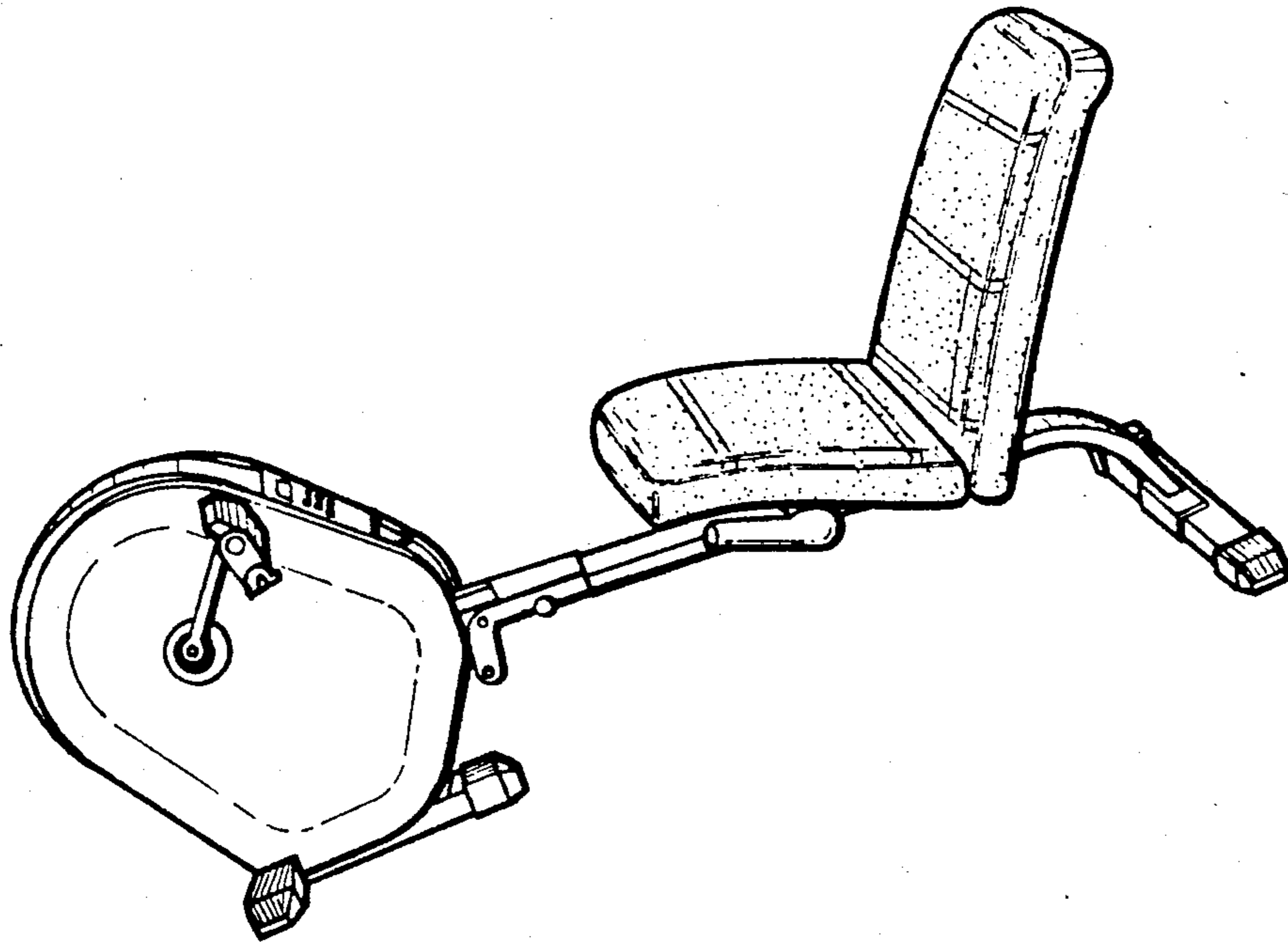
Primary Examiner—Charles A. Rademaker
Attorney, Agent, or Firm—Helfgott & Karas

[57] **CLAIM**

The ornamental design for a pedalling exerciser, as shown.

DESCRIPTION

FIG. 1 is a perspective view of a pedalling exerciser showing my new design;
FIG. 2 is a rear perspective view thereof;
FIG. 3 is a rear elevational view thereof;
FIG. 4 is a right side elevational view thereof;
FIG. 5 is a top plan view thereof;
FIG. 6 is a front elevational view thereof; and
FIG. 7 is a left side elevational view thereof.



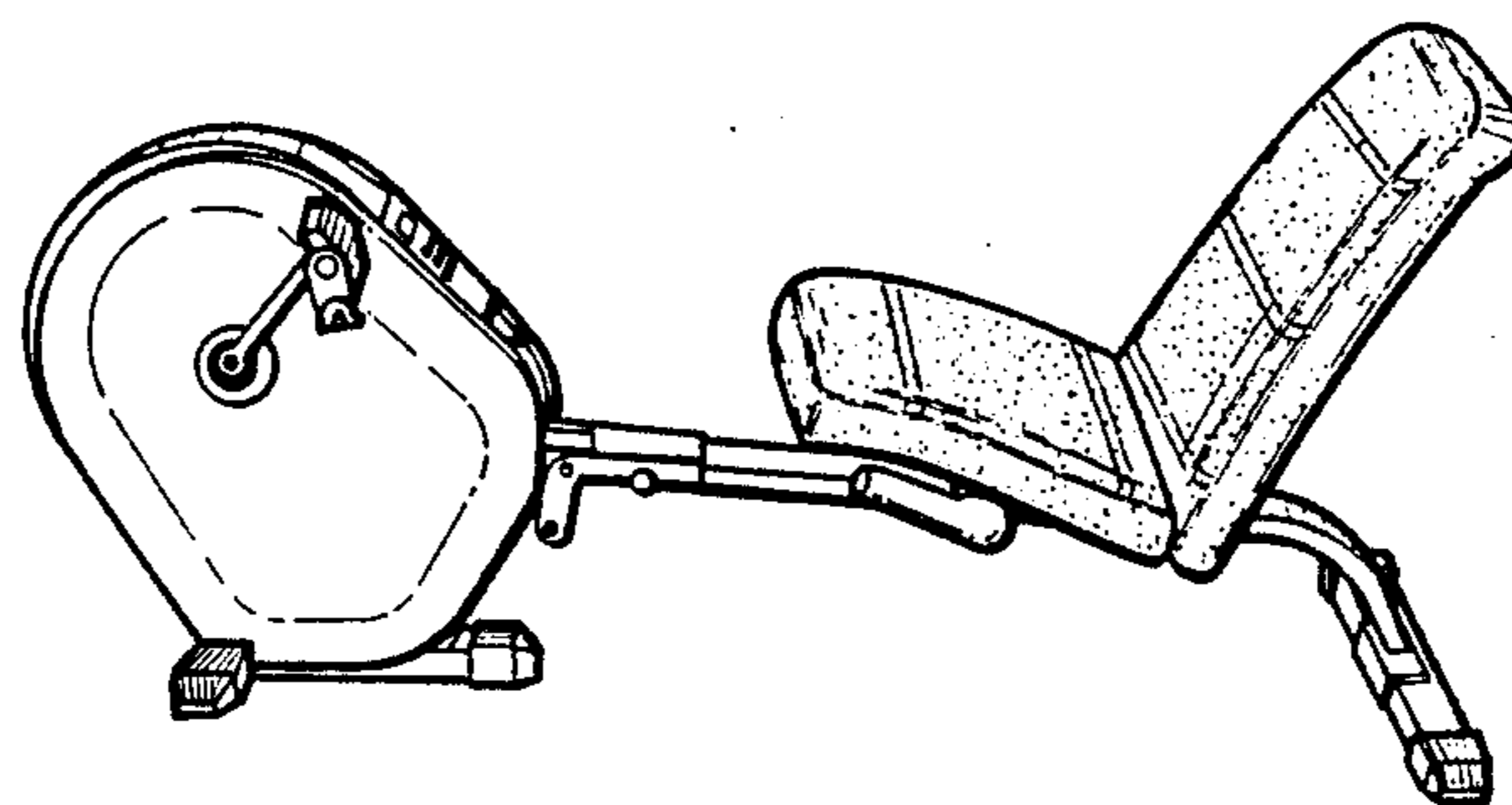


FIG. 1

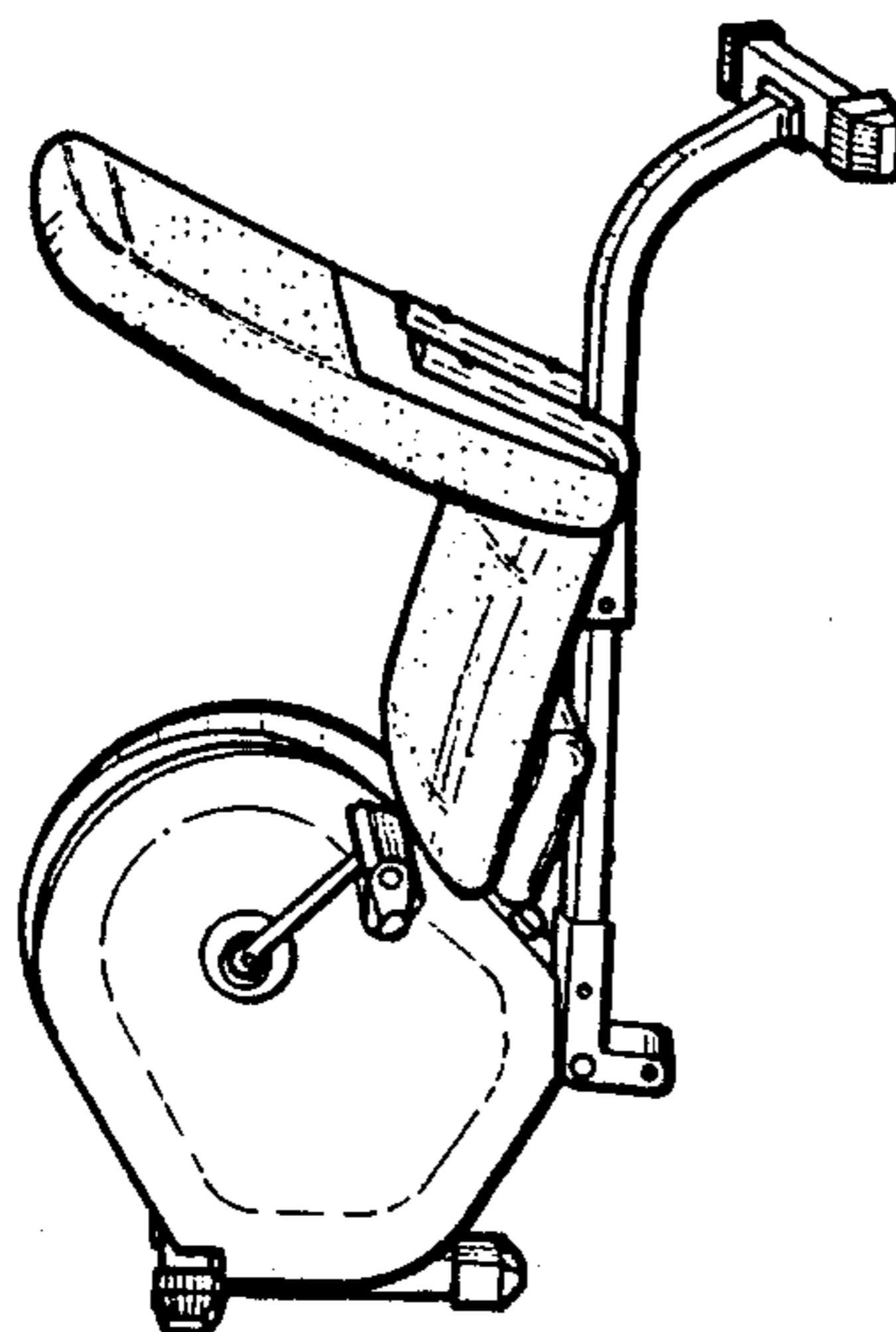


FIG. 2

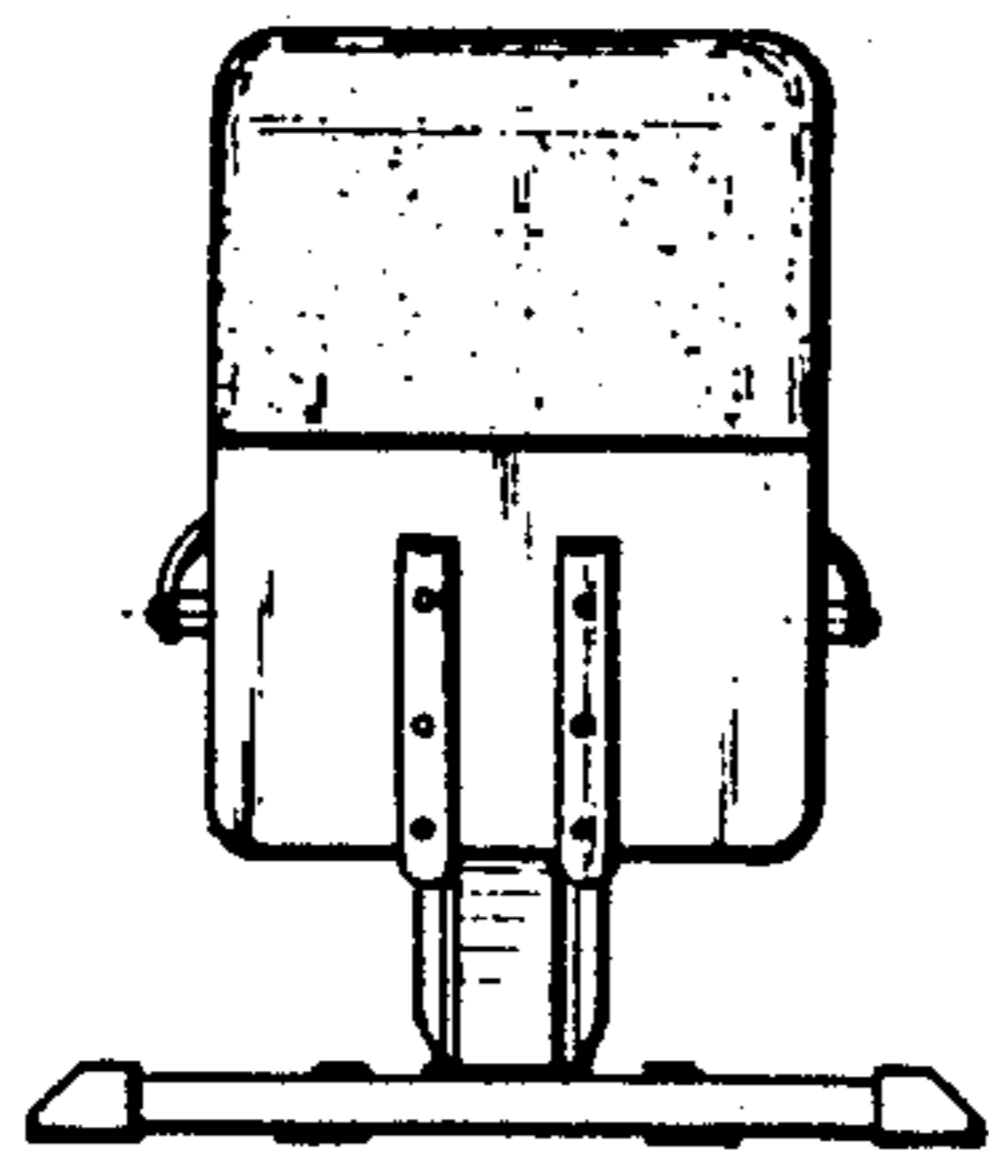


FIG. 3

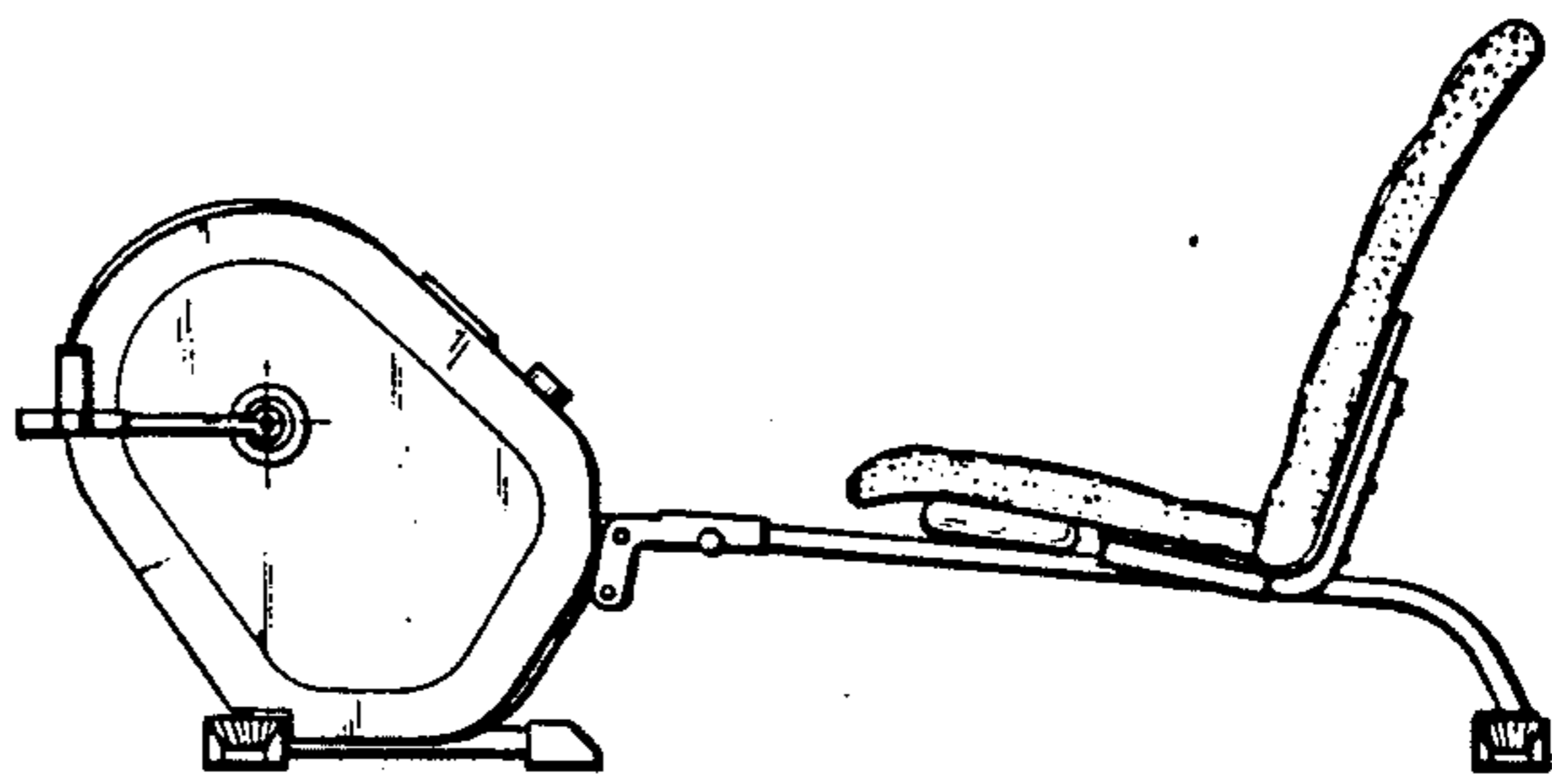


FIG. 4

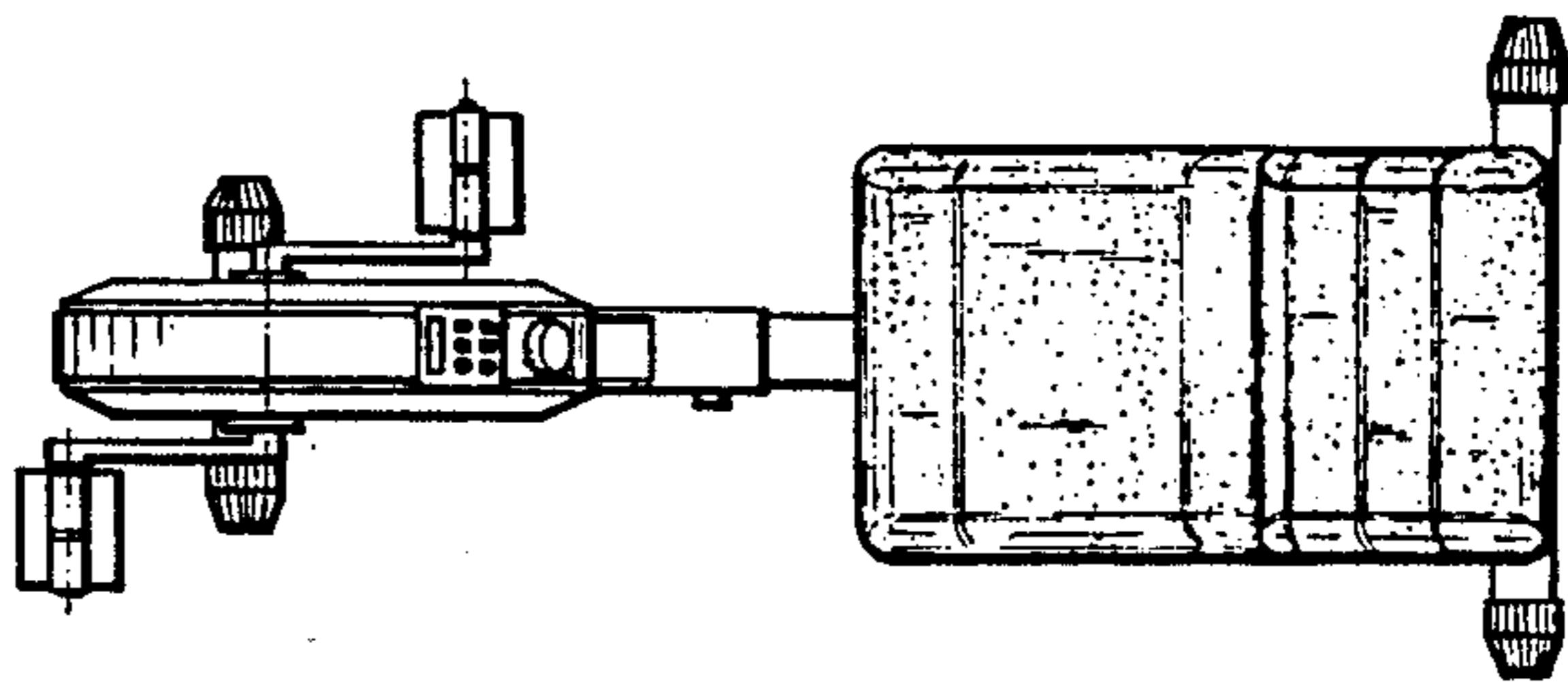


FIG. 5

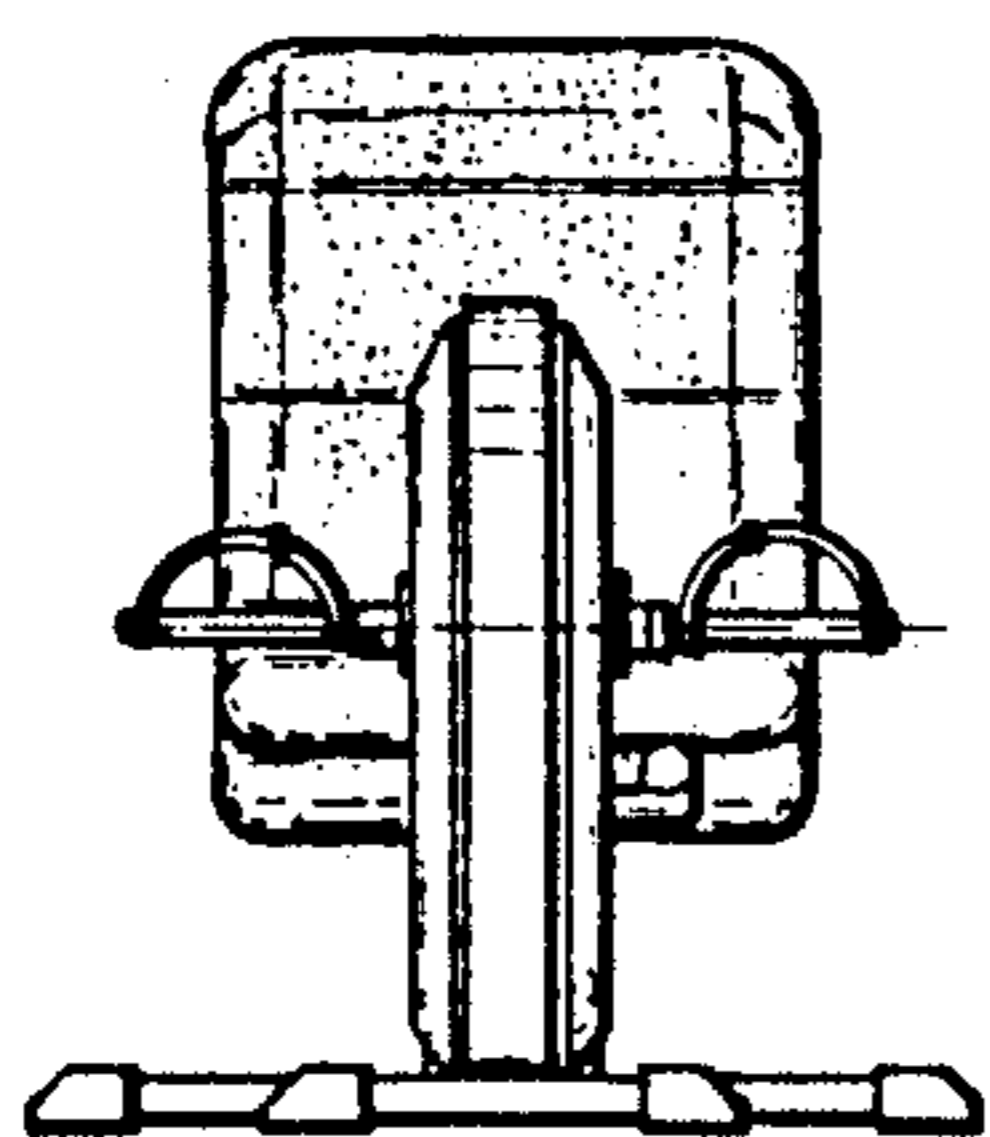


FIG. 6

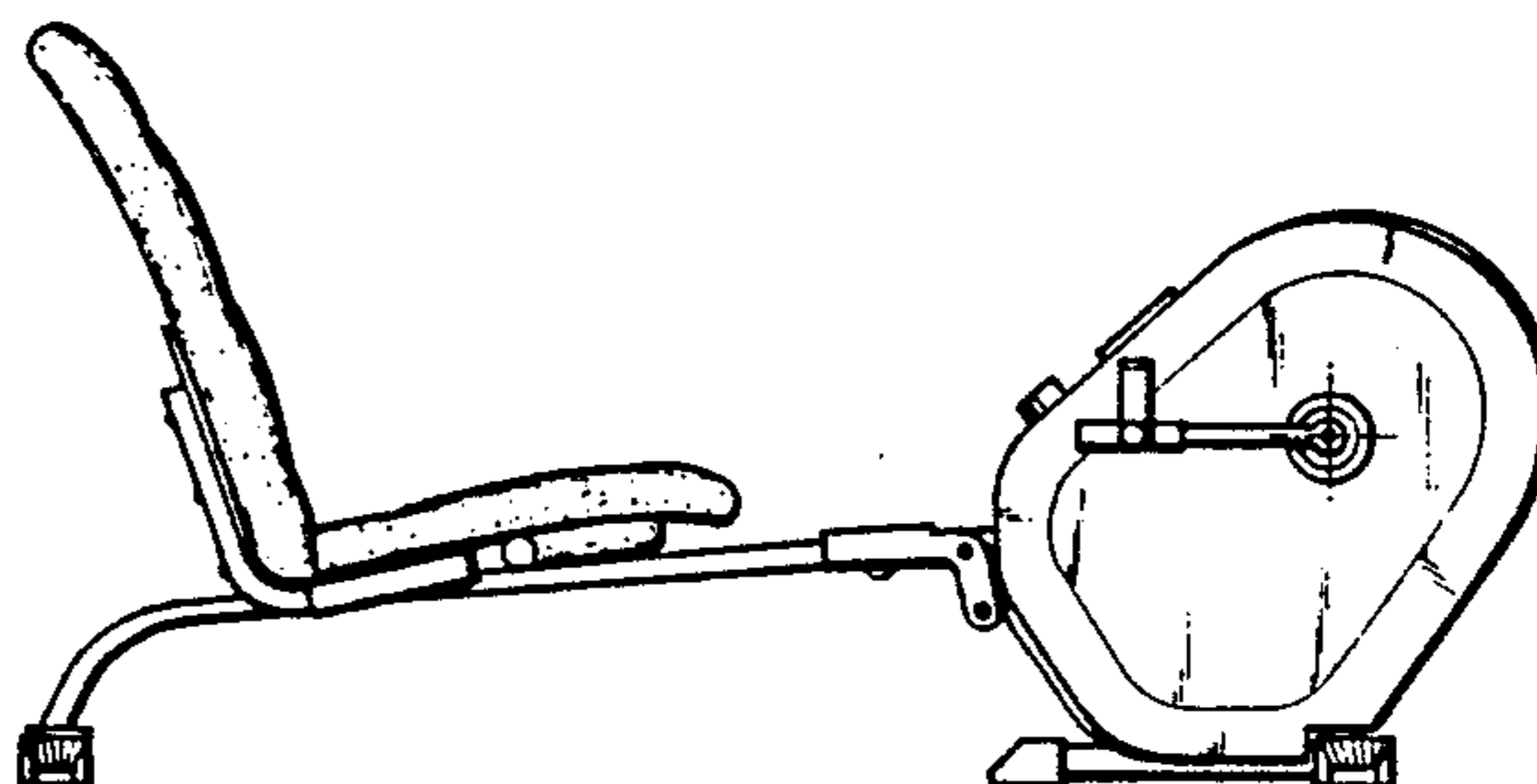


FIG. 7