

[54] JUMP FOR A TOY RACETRACK

[75] Inventor: Mun H. Ngai, Hong Kong, Hong Kong

[73] Assignee: Artin Industrial Co., Ltd., Sanpokong-Kowloon, Hong Kong

[**] Term: 14 Years

[21] Appl. No.: 8,581

[22] Filed: Jan. 29, 1987

[30] Foreign Application Priority Data

Nov. 12, 1986 [GB] United Kingdom 1038001

[52] U.S. Cl. D21/143

[58] Field of Search D21/59, 143; 446/429, 446/487, 168, 444; 104/60, 113; 238/10 E, 10 F

[56] References Cited

U.S. PATENT DOCUMENTS

D. 224,089	7/1972	Takeuchi	D21/143
D. 233,620	11/1974	Seki	D21/143
3,502,332	3/1970	Wolf	D21/143
3,621,602	11/1971	Borcus et al.	446/444
4,094,089	6/1978	Sano	446/487

FOREIGN PATENT DOCUMENTS

964300 5/1957 Fed. Rep. of Germany 446/444

OTHER PUBLICATIONS

Toy Fair 1984, Mattel Toys catalog 1984, p. 90, Item #4062 "Jumpmasters".

Playthings, vol. 79, Jan 1981, p. 80, Item #418 Ideal's "Dukes of Hazzard" Race Set, bottom right corner photo.

Primary Examiner—Charles A. Rademaker

Assistant Examiner—Alicia A. Farrell

Attorney, Agent, or Firm—Fleit, Jacobson, Cohn, Price, Holman & Stern

[57] CLAIM

The ornamental design for a jump for a toy racetrack, as shown and described.

DESCRIPTION

FIG. 1 is a side perspective view of a jump for a toy racetrack showing my new design;

FIG. 2 is a perspective view showing the side opposite thereof;

FIG. 3 is a top plan view thereof;

FIG. 4 is a side elevational view thereof; the side opposite being a mirror image;

FIG. 5 is an end elevational view thereof;

FIG. 6 is an opposite end elevational view thereof; and

FIG. 7 is a bottom plan view thereof.

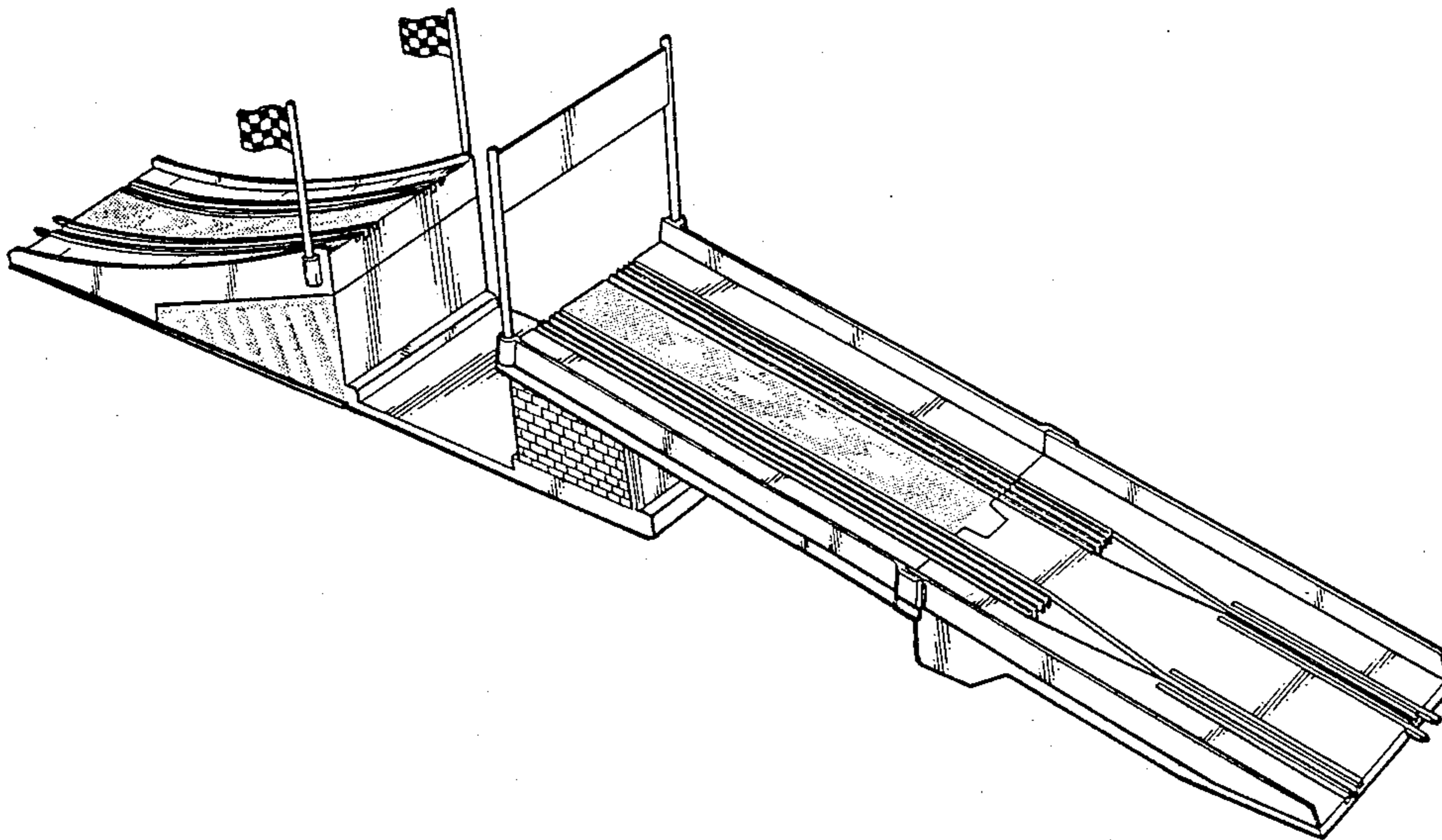


Fig. 1

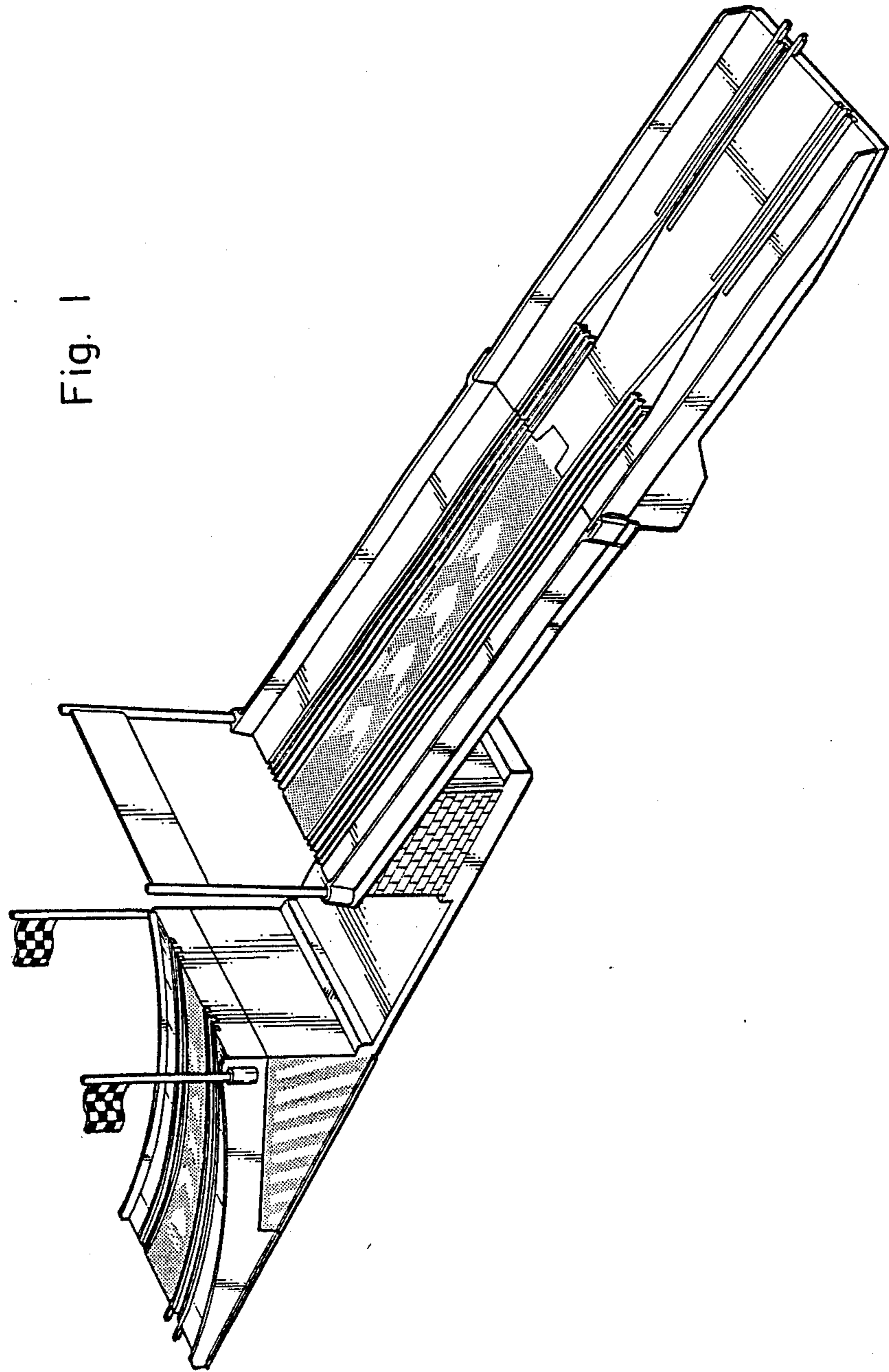


Fig. 2

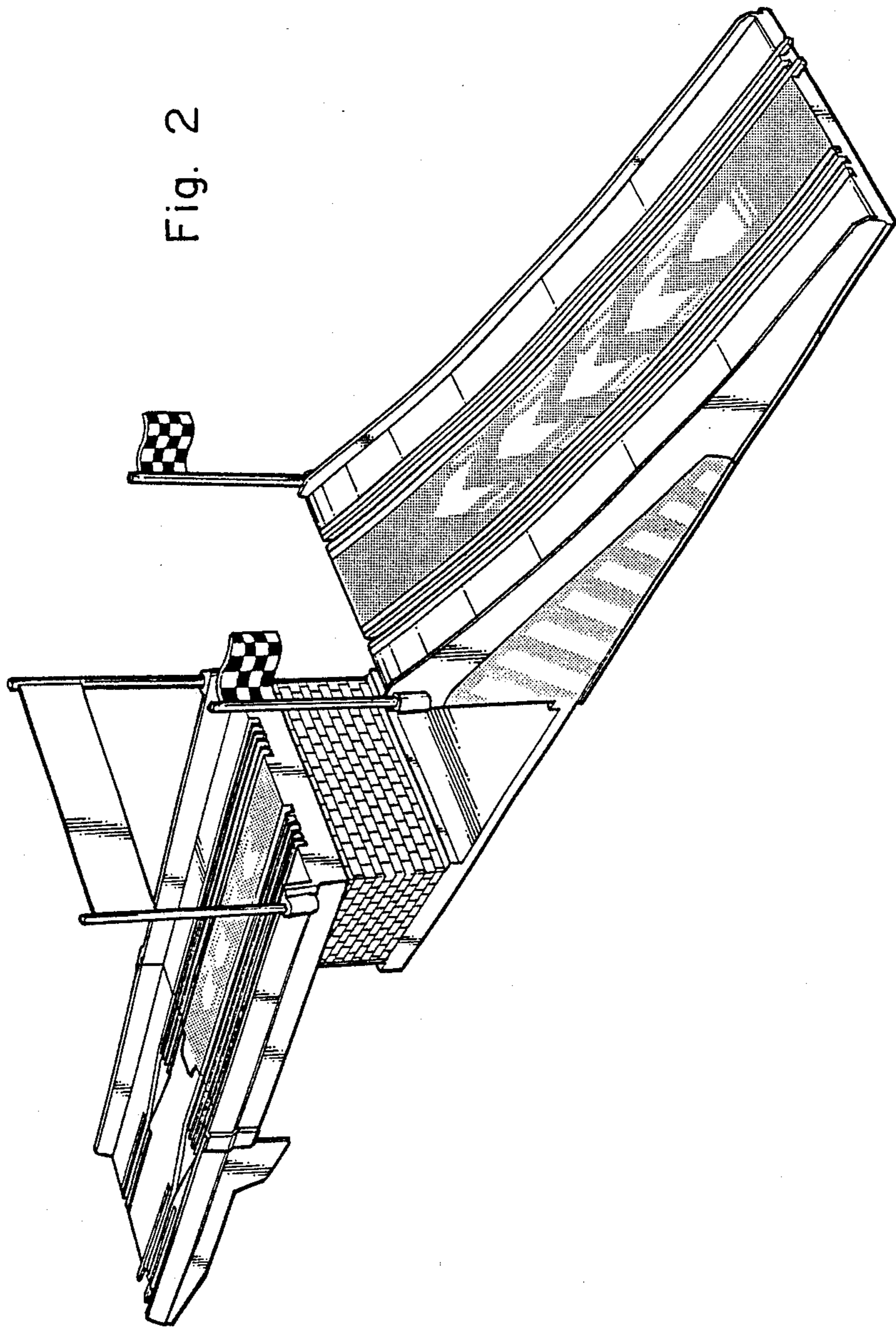


Fig. 3

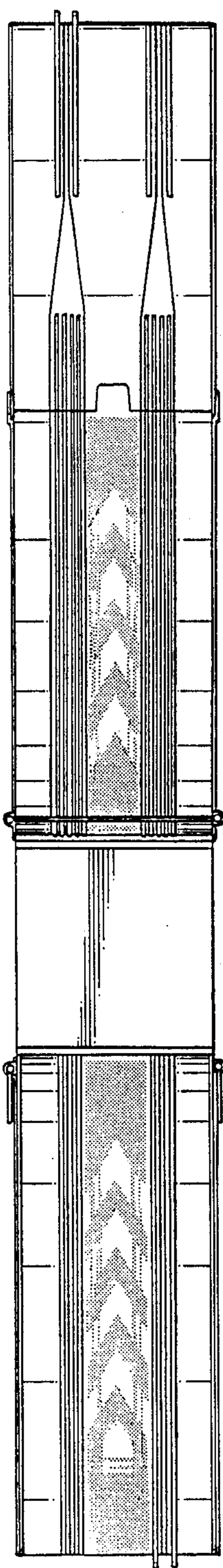


Fig. 4

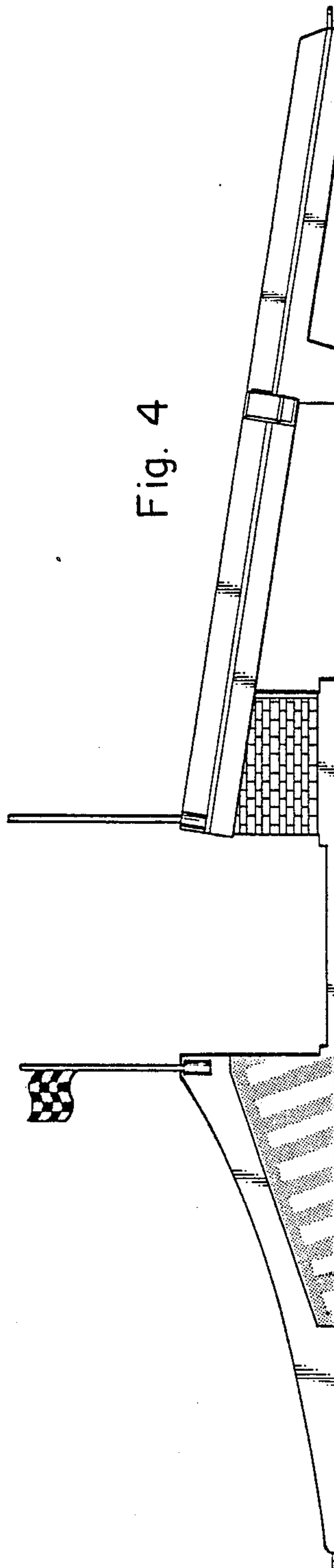


Fig. 6

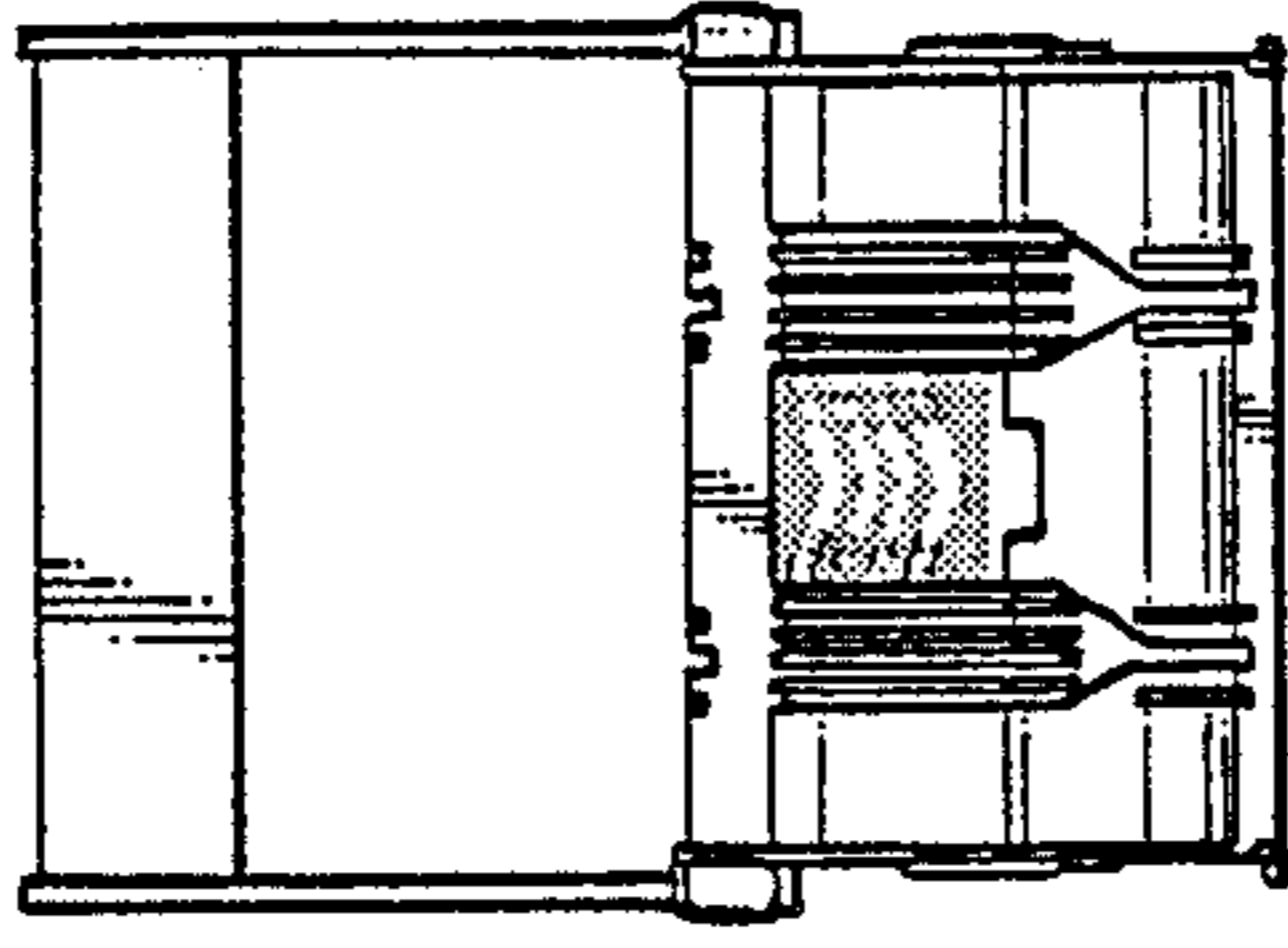


Fig. 5

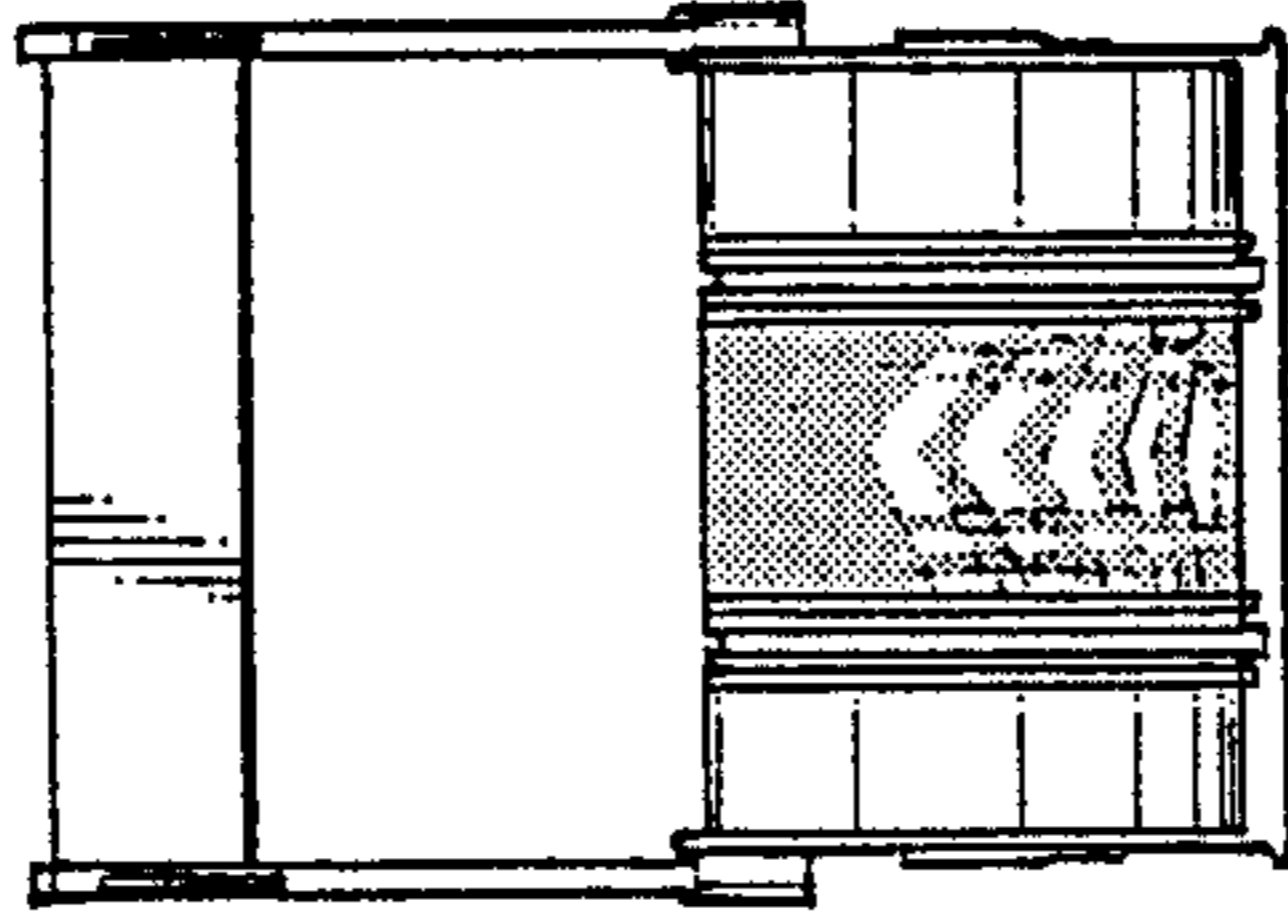


Fig. 7

