

[54] **TOY CART**
[75] **Inventor: Miriam Kolker, Buffalo, N.Y.**
[73] **Assignee: The Quaker Oats Company, Chicago, Ill.**
[**] **Term: 14 Years**
[21] **Appl. No.: 177,645**
[22] **Filed: Apr. 5, 1988**
[52] **U.S. Cl. D21/134**
[58] **Field of Search D21/59, 71, 73, 74, D21/76, 77, 78, 80, 124, 128, 132, 133, 134, 135, 137, 140; 280/828, 1.5, 3, 4, 7, 15, 200, 655.1, 87.01, 87.021, 87.05, 87.051, 47.371**

[56] **References Cited**
U.S. PATENT DOCUMENTS

D. 141,527 6/1945 Louer D21/59
D. 170,759 11/1953 Kesler D21/134
D. 268,405 3/1983 Hanses et al. D21/71

D. 274,174 6/1984 Rivollet D21/134
D. 285,949 9/1986 Thomson et al. D21/134
2,212,053 8/1940 Smith 280/651
2,446,137 7/1948 Krueger 280/655
2,572,780 10/1951 Tackenberg 280/651

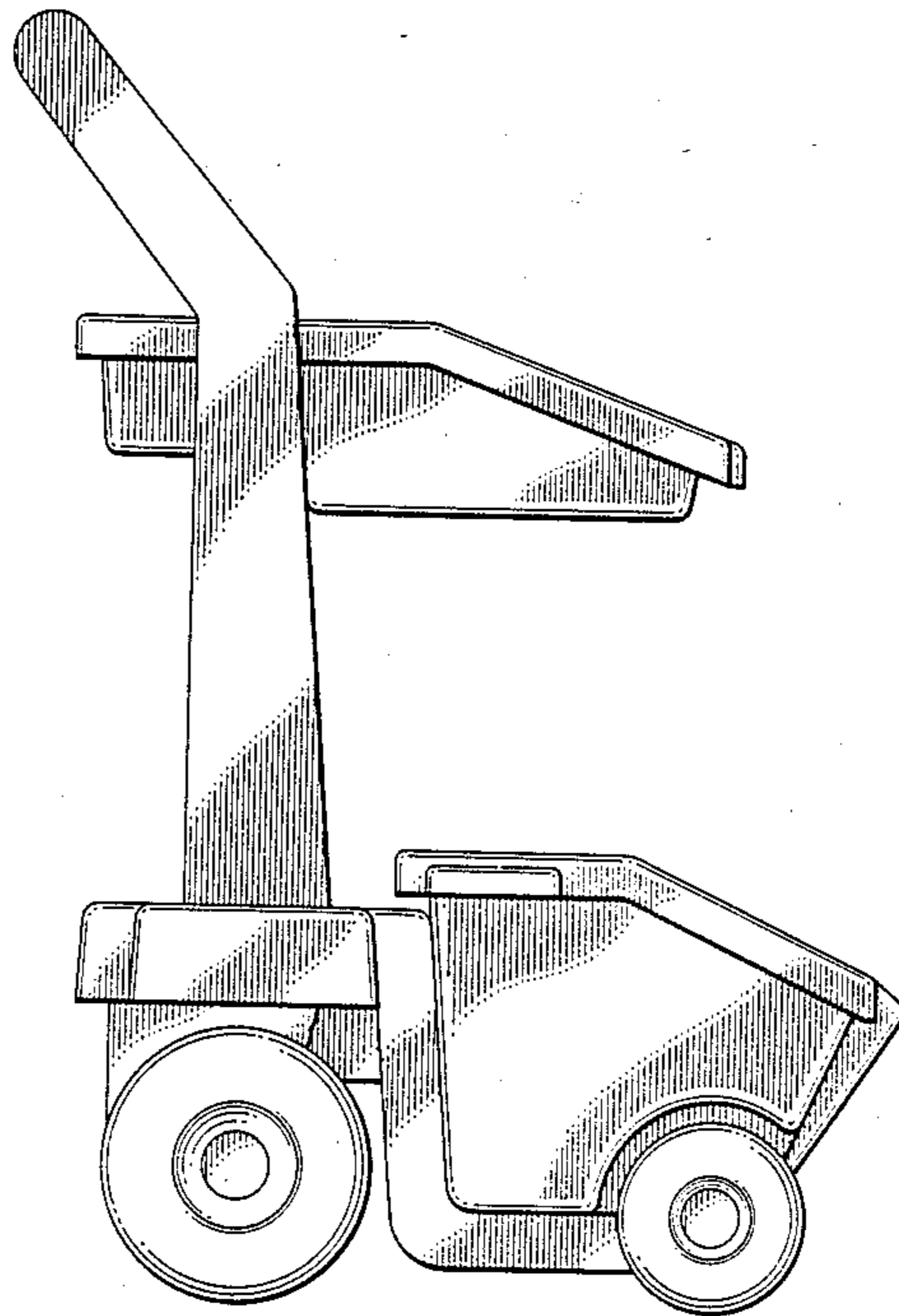
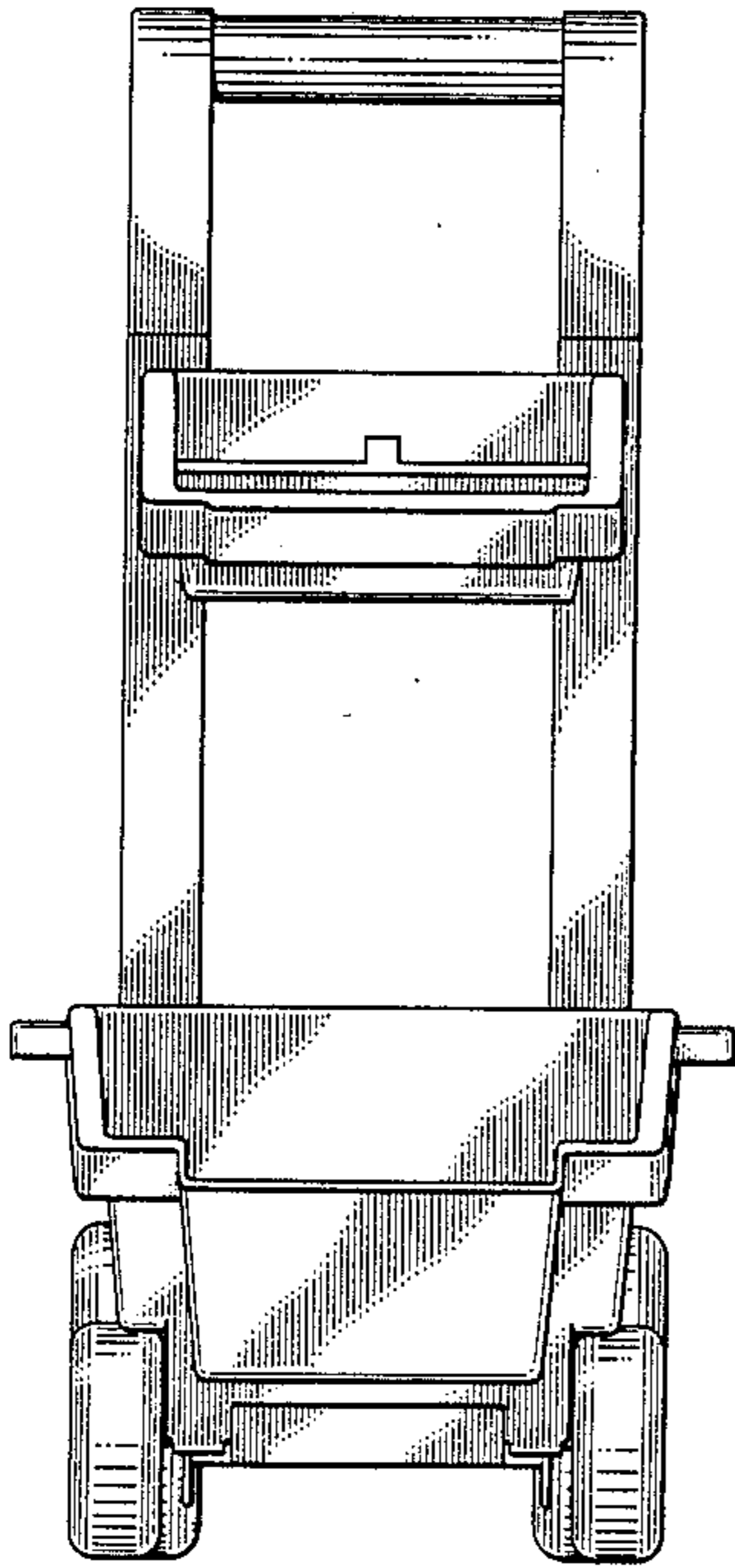
Primary Examiner—Charles A. Rademaker
Assistant Examiner—Alicia A. Farrell
Attorney, Agent, or Firm—Cumpston & Shaw

[57] **CLAIM**

The ornamental design for a toy cart, as shown and described.

DESCRIPTION

FIG. 1 is a front-elevational view of a toy cart showing my new design;
FIG. 2 is a right-side elevational view thereof, the left-side being substantially a mirror image thereof;
FIG. 3 is a rear elevational view thereof;
FIG. 4 is a top plan view thereof; and
FIG. 5 is a bottom plan view.



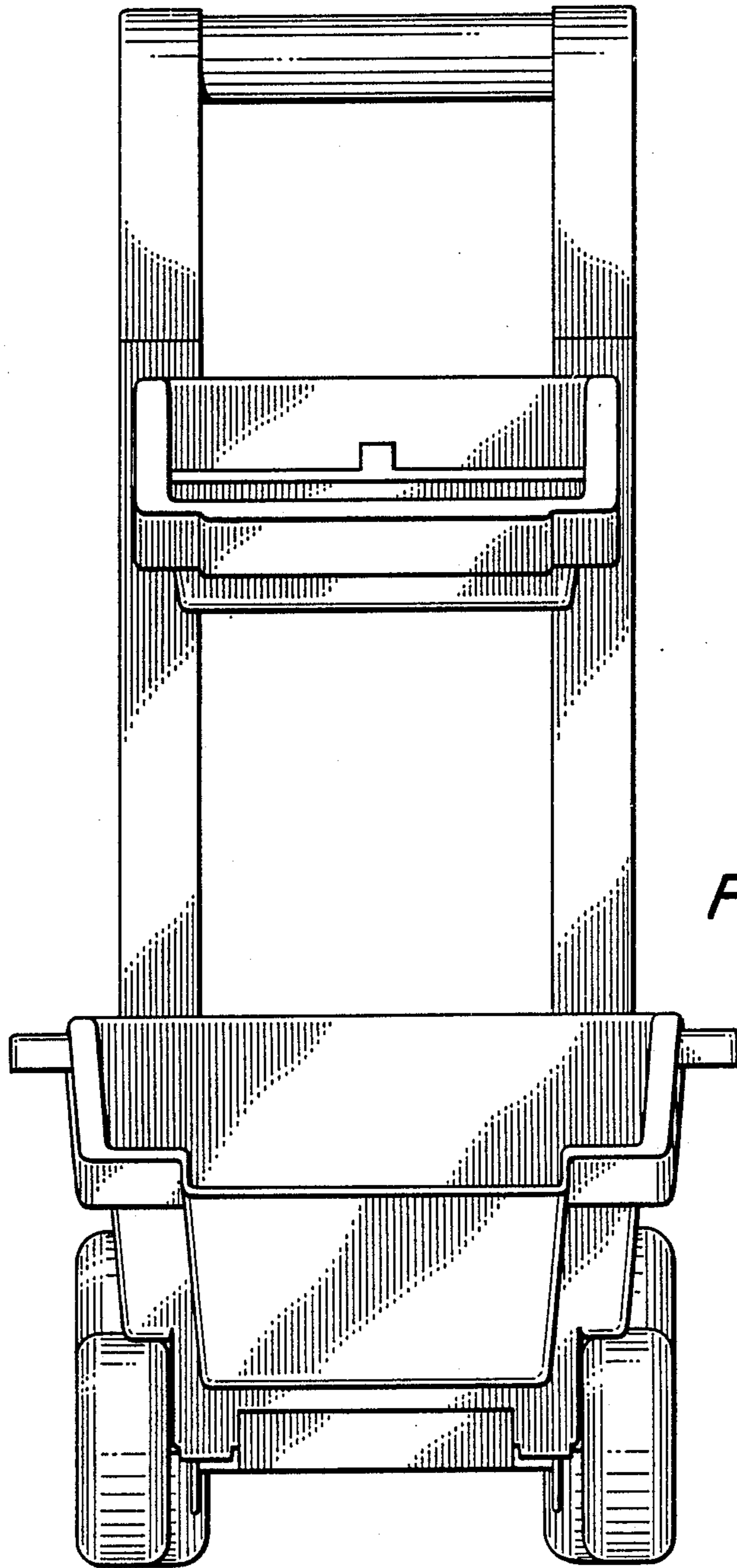
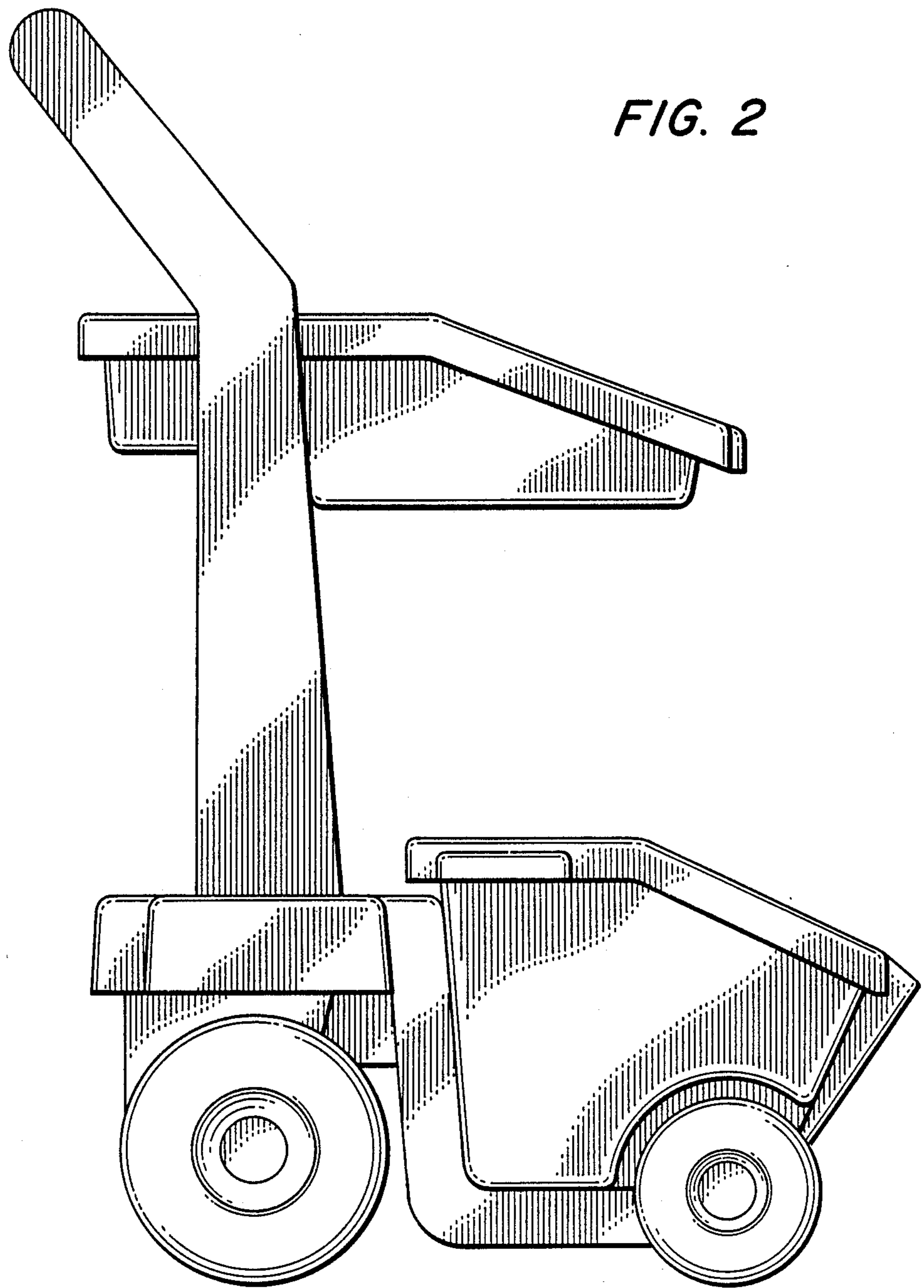


FIG. 1

FIG. 2



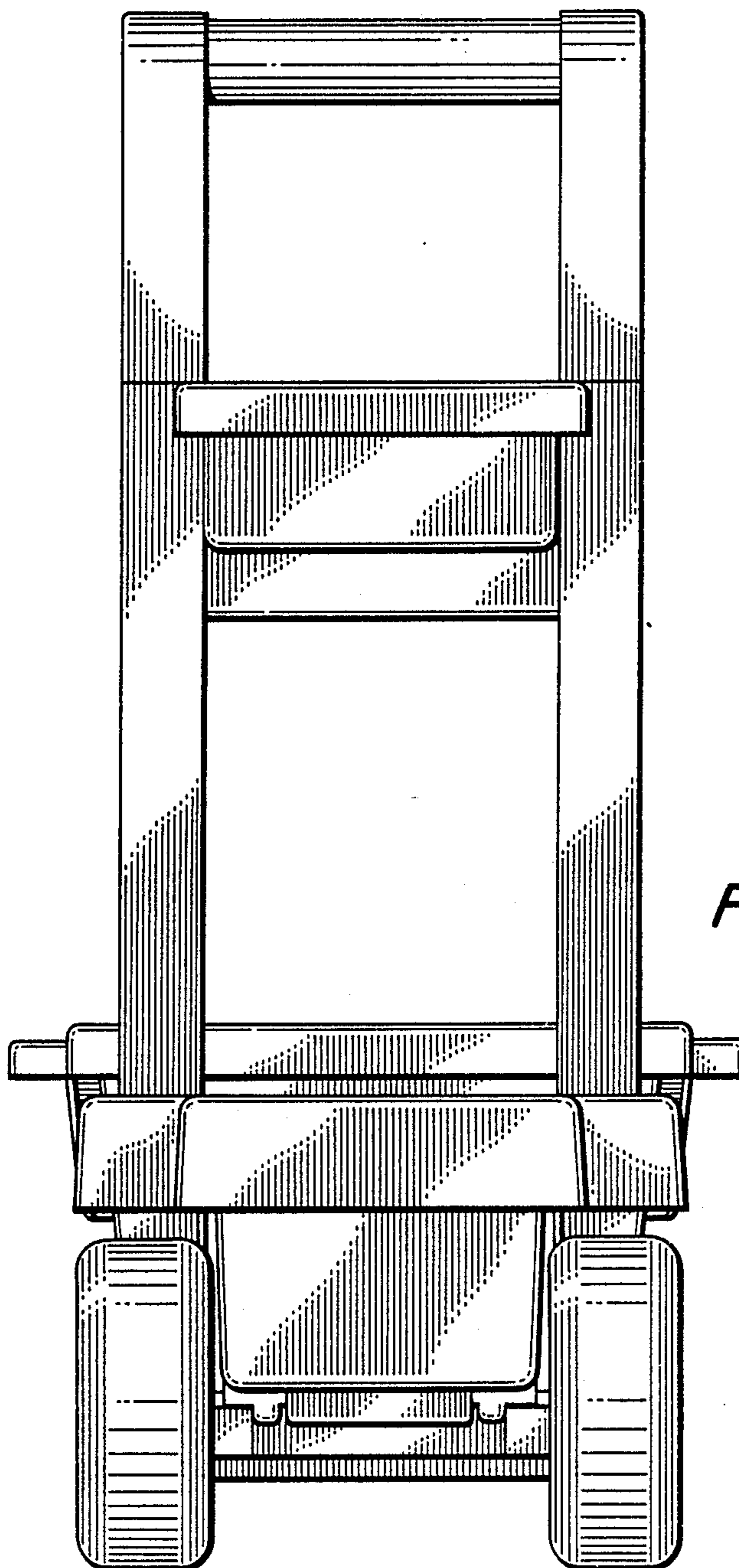


FIG. 3

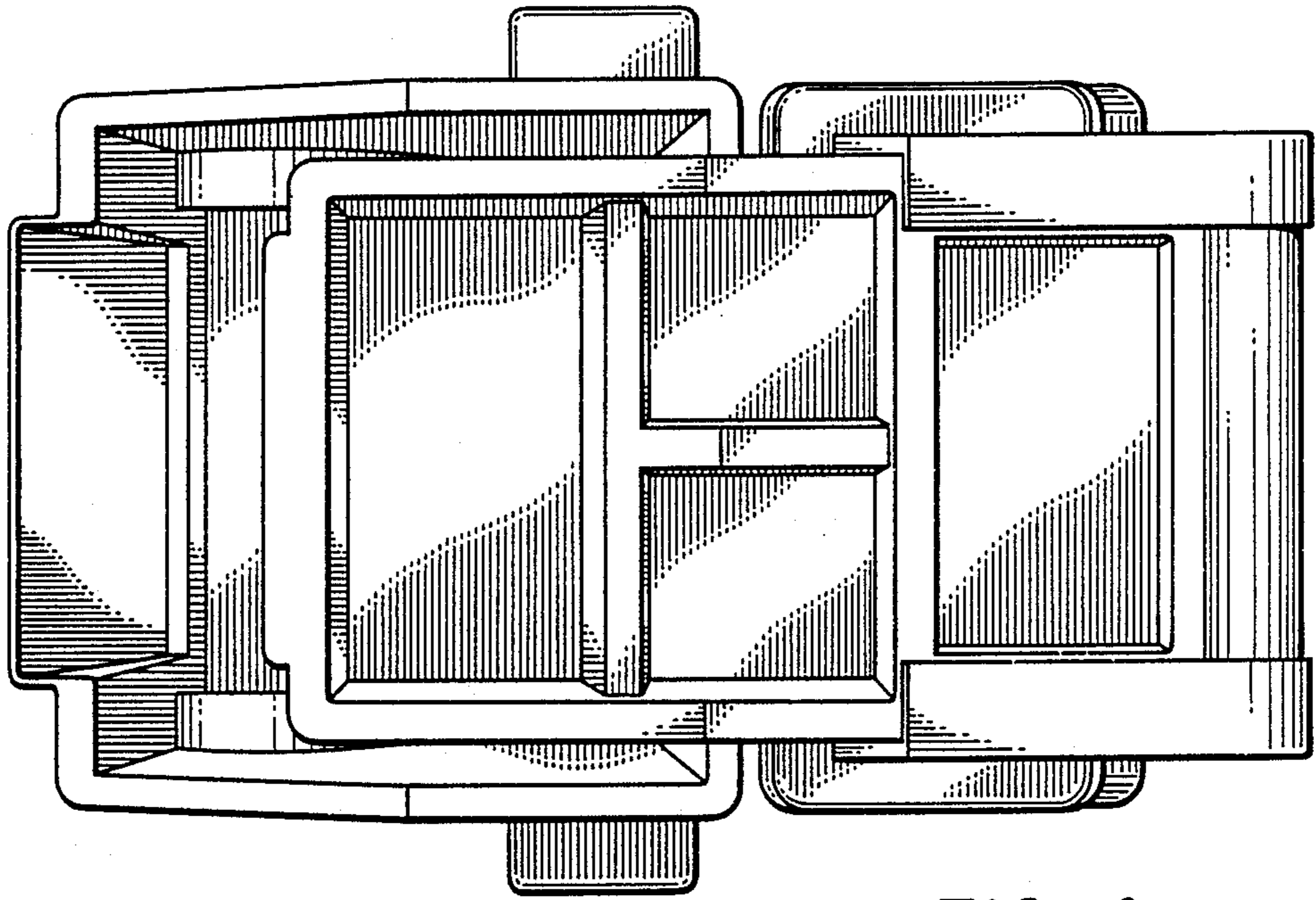


FIG. 4

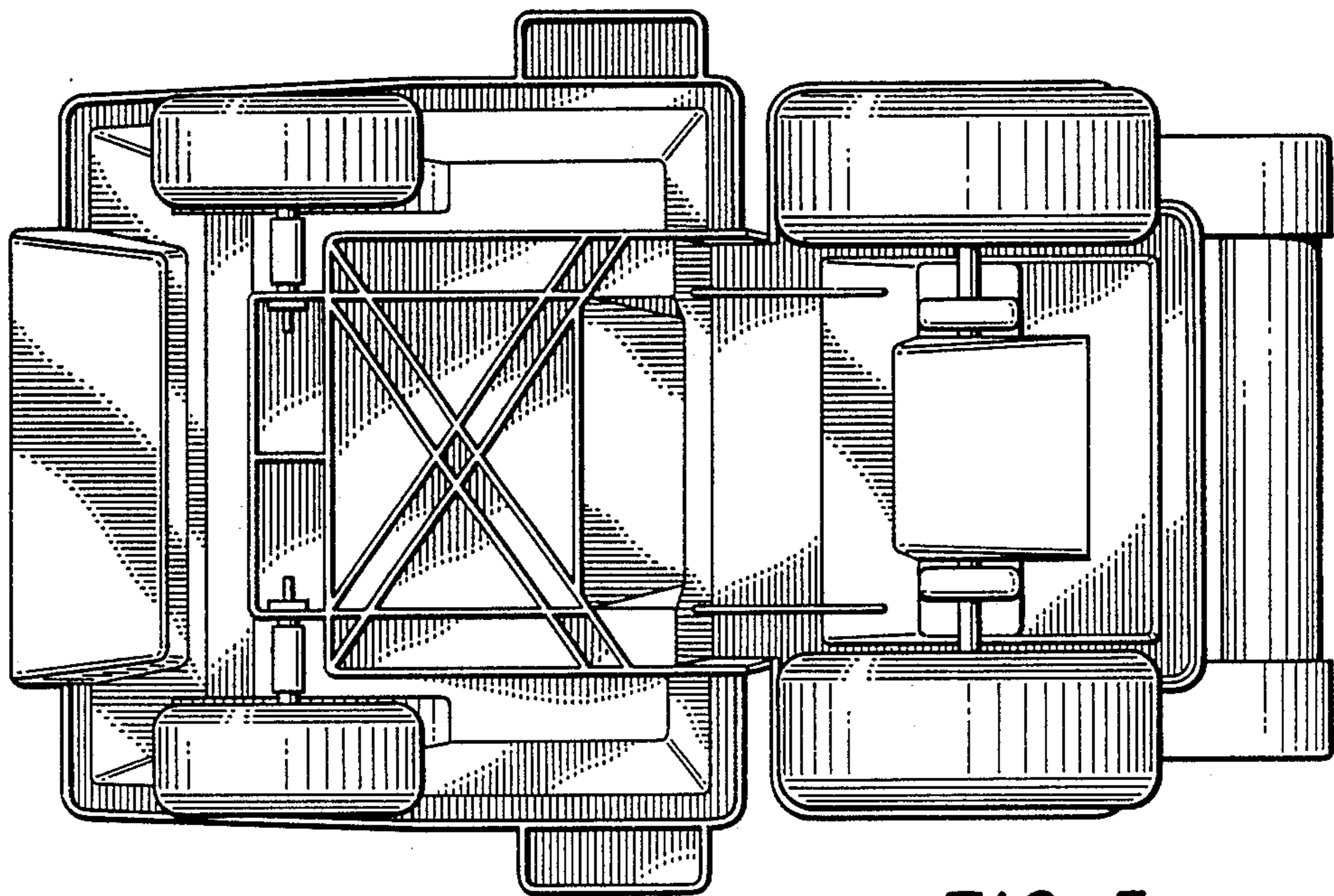


FIG. 5