

United States Patent [19]

Deusinger

[11] Patent Number: Des. 305,670

[45] Date of Patent: ** Jan. 23, 1990

[54] COMBINED PALETTE AND BRACKET FOR ATTACHMENT TO AN EASEL

[75] Inventor: Frank H. Deusinger, 10 Lemon St. BHR, Okeechobee, Fla. 33472

[73] Assignee: Frank H. Deusinger, Okeechobee, Fla.

[**] Term: 14 Years

[21] Appl. No.: 869,064

[22] Filed: May 30, 1986

[52] U.S. Cl. D19/35; D6/512; D6/553; D6/574

[58] Field of Search D6/300-301, D6/552-553, 566, 512; D19/35-36, 75-76; 211/65-66, 80-81, 86, 60.1, 96-98; 248/441.1, 444-444.1, 443, 445-447, 447.1-447.2; 206/1.7, 1.8, 1.9, 451; 434/103

[56] References Cited

U.S. PATENT DOCUMENTS

D. 289,303 4/1987 Stark D19/35
193,904 8/1877 White 206/1.7
289,700 12/1883 Parker 248/146

2,787,072 4/1957 Vogel 211/65
3,104,762 9/1963 Lahive 211/65

Primary Examiner—Wallace R. Burke
Assistant Examiner—Lavone D. Tabor

[57] CLAIM

The ornamental design for a combined palette and bracket for attachment to an easel, as shown and described.

DESCRIPTION

FIG. 1 is a front elevational view of a combined palette and bracket for attachment to an easel showing my new design;

FIG. 2 is a top plan view thereof;

FIG. 3 is a bottom plan view thereof;

FIG. 4 is a rear elevational view thereof;

FIG. 5 is an end elevational view as seen from the right of FIG. 1;

FIG. 6 is an end elevational view of the opposite end thereof; and

FIG. 7 is a perspective view thereof.

The broken line showing of a fragmentary support is for illustrative purposes only and forms no part of the claimed design.

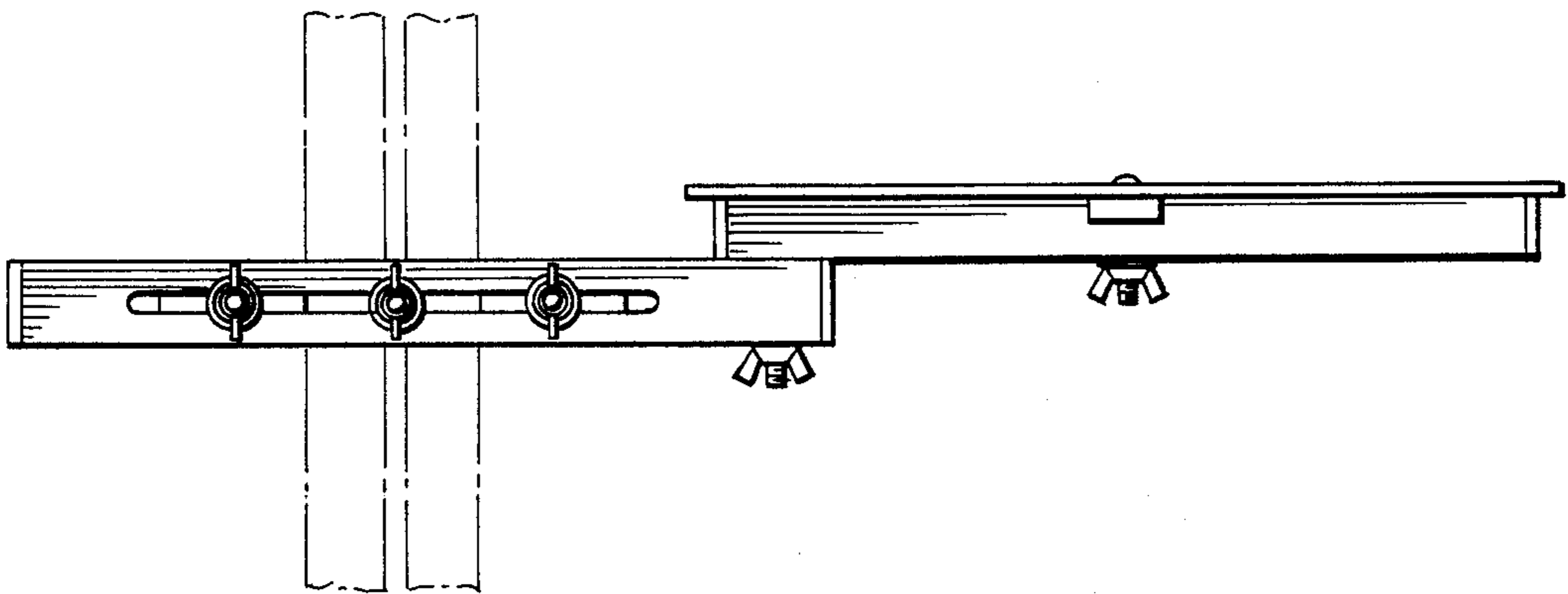


FIG 1

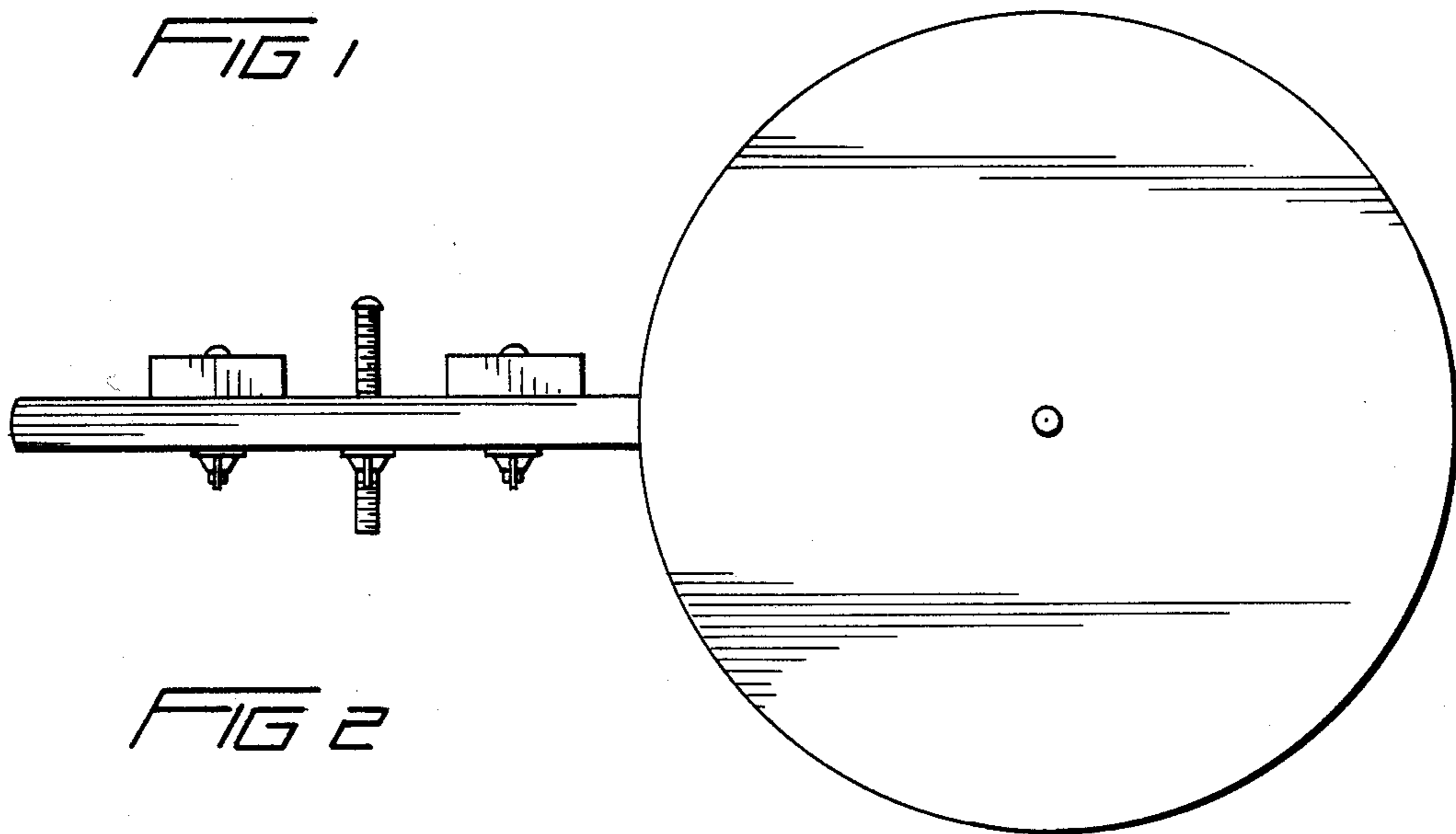


FIG 2

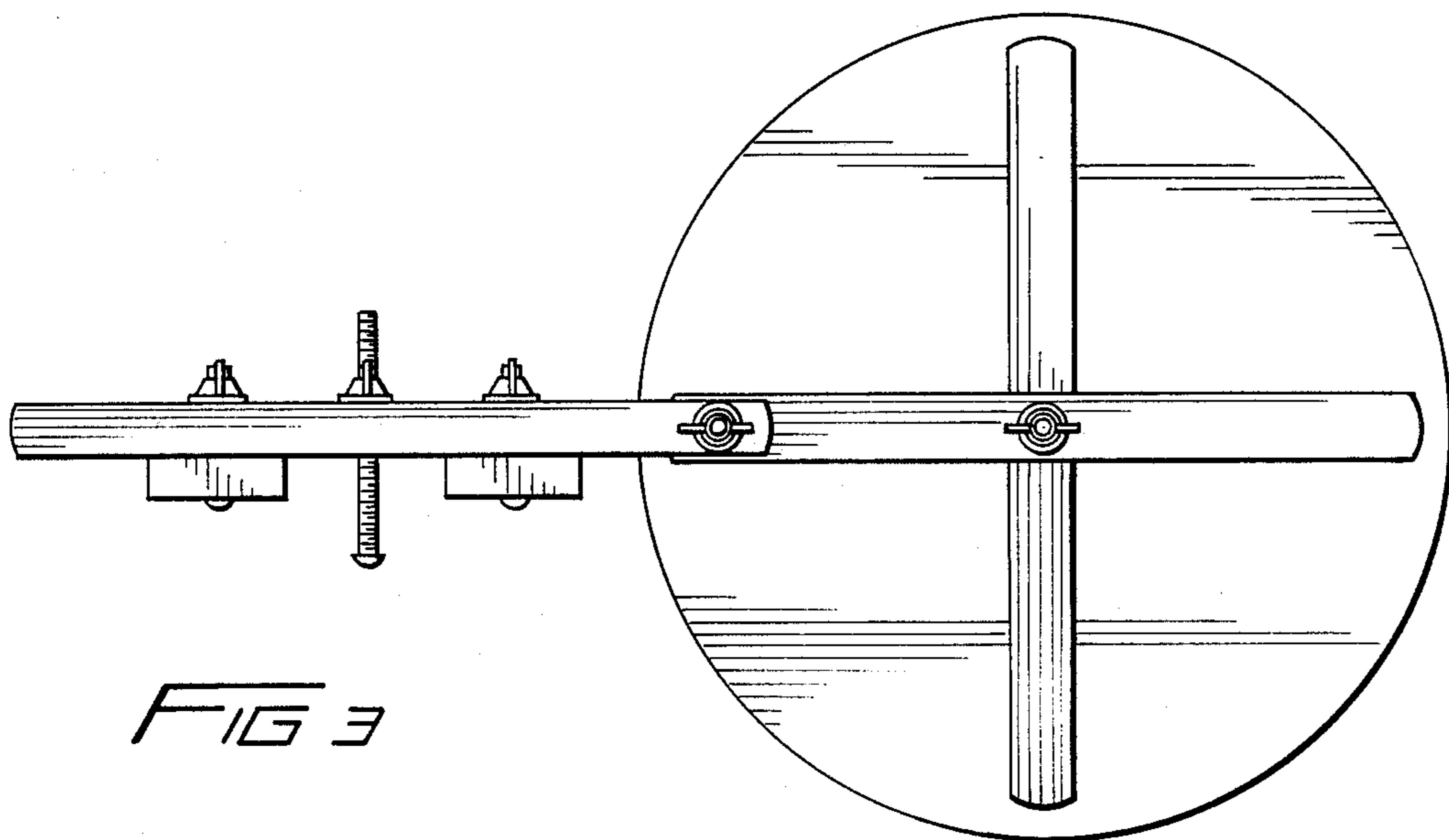


FIG 3

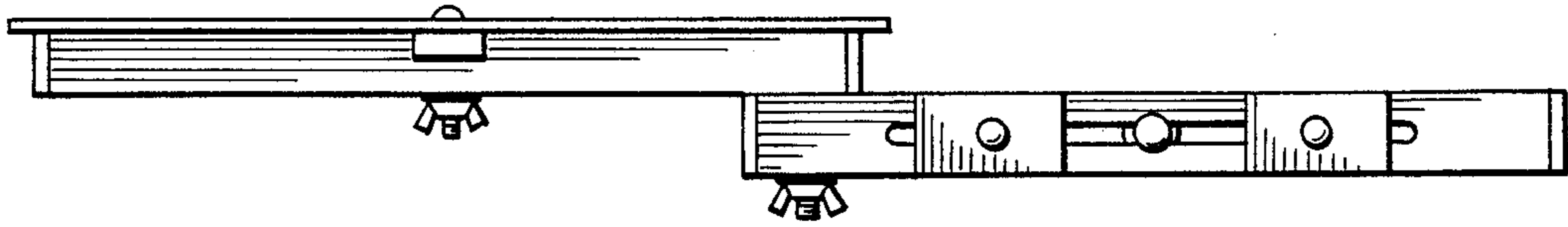


FIG 4

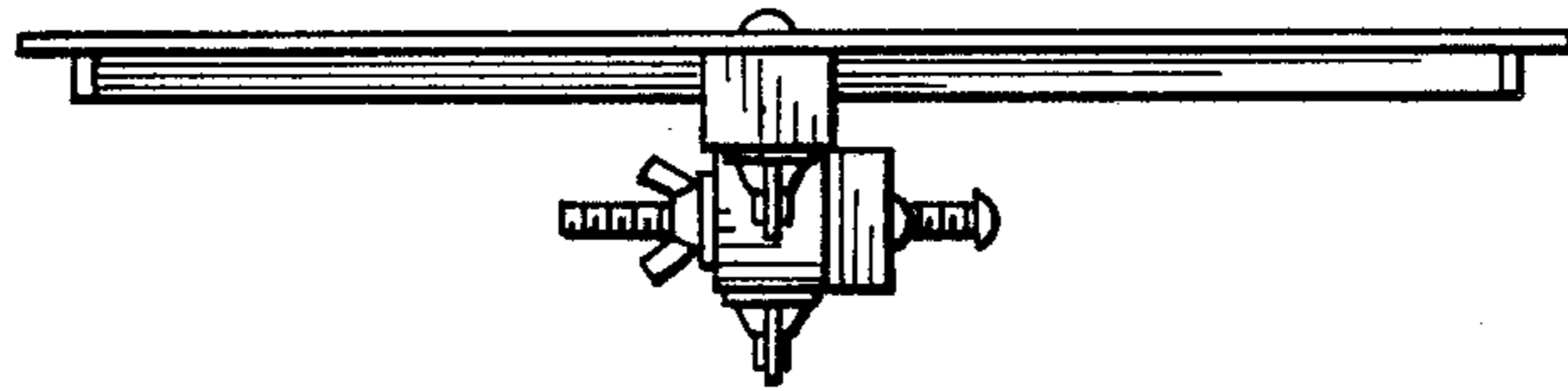


FIG 5

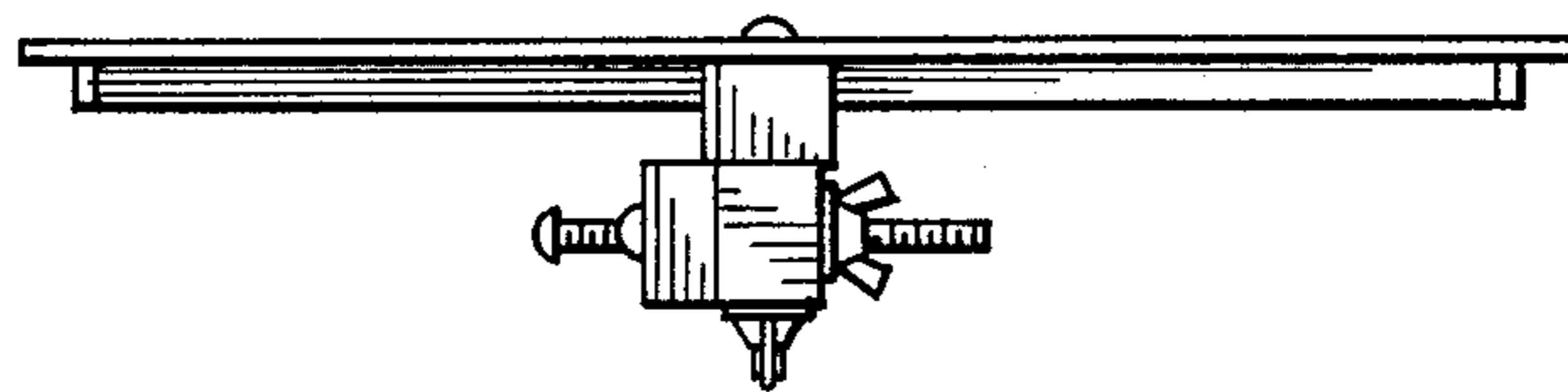


FIG 6