

[54] COMBINED ADJUSTABLE BRUSH
HOLDER AND BRACKET FOR
ATTACHMENT TO AN EASEL

653,051 7/1900 Woods 211/65
1,306,585 6/1919 Droege et al. 248/316.3
2,787,072 4/1957 Vogel 211/65

[75] Inventor: Frank H. Deusinger, 10 Lemon St.
BHR, Okeechobee, Fla. 33472

Primary Examiner—Wallace R. Burke
Assistant Examiner—Lavone D. Tabor

[73] Assignee: Frank H. Deusinger, Okeechobee,
Fla.

[57] CLAIM

The ornamental design for a combined adjustable brush
holder and bracket for attachment to an easel, as shown
and described.

[**] Term: 14 Years

[21] Appl. No.: 869,054

DESCRIPTION

[22] Filed: May 30, 1986

[52] U.S. Cl. D19/35; D6/512;
D6/553; D6/567

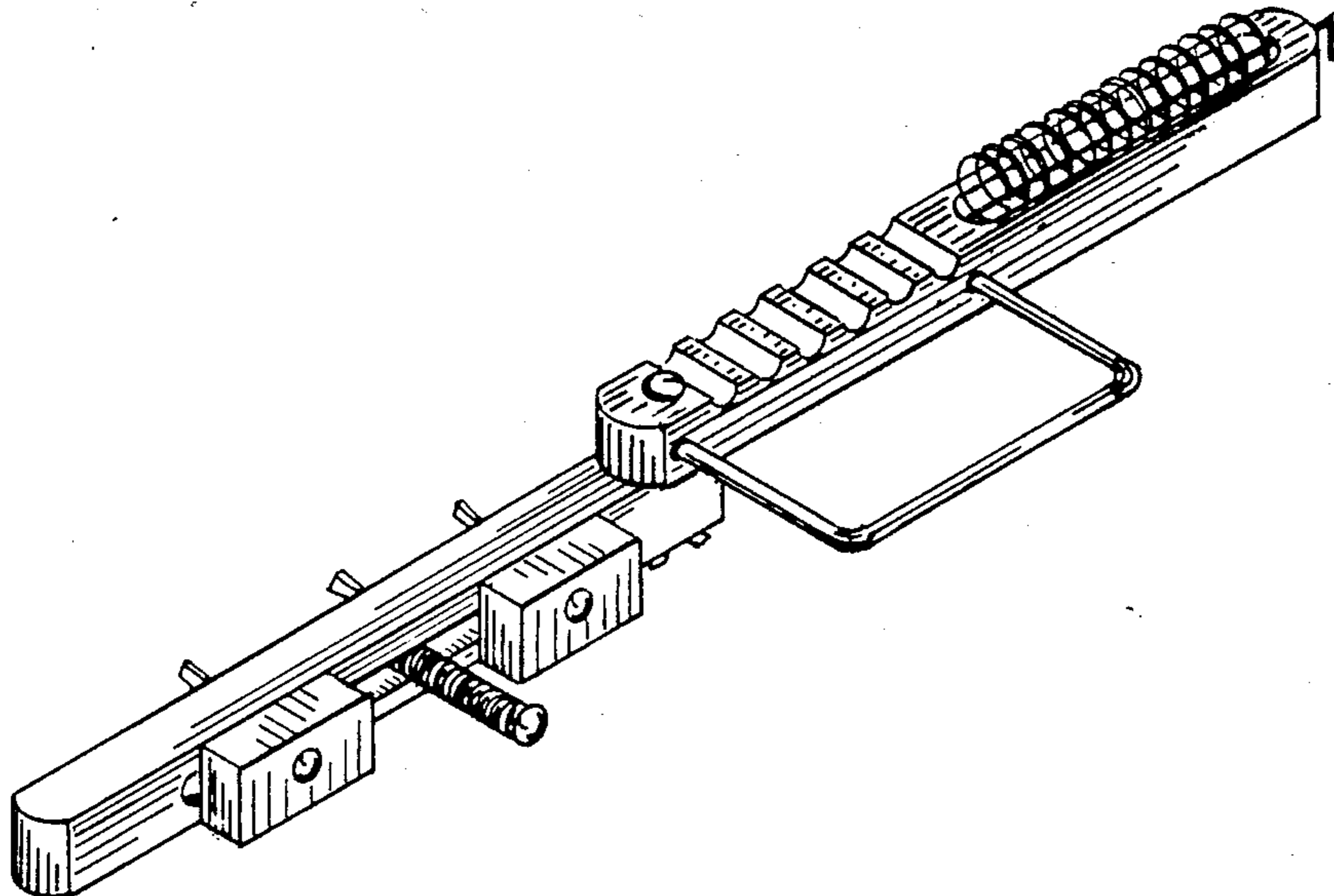
[58] Field of Search D32/53-53.1,
D32/54; D34/40; 211/65, 66, 80-81, 86, 60.1,
96-98; D6/553, 300-301, 552, 566, 512;
D19/35-36, 75-76; 248/441.1, 444-444.1,
444.3, 445-447, 447.1-447.2; 206/1.7, 1.8, 1.9;
434/103

FIG. 1 is a front elevational view of a combined adjust-
able brush holder and bracket for attachment to an easel
showing my new design;
FIG. 2 is a top plan view thereof;
FIG. 3 is a bottom plan view thereof;
FIG. 4 is a rear elevational view thereof;
FIG. 5 is an end elevational view as seen from the left of
FIG. 1;
FIG. 6 is an elevational view of the opposite end
thereof; and
FIG. 7 is a perspective view thereof.
The broken line showing of a fragmentary support is for
illustrative purposes only and forms no part of the
claimed design.

[56] References Cited

U.S. PATENT DOCUMENTS

D. 25,926 11/1896 Elliston D6/512



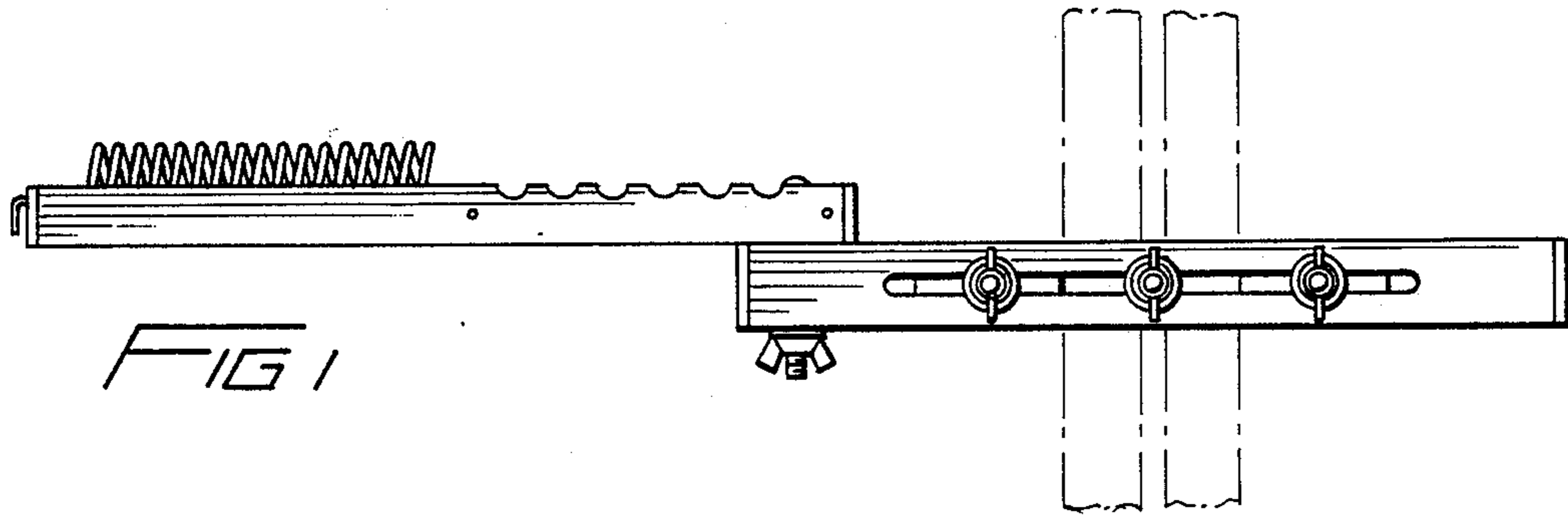


FIG 1

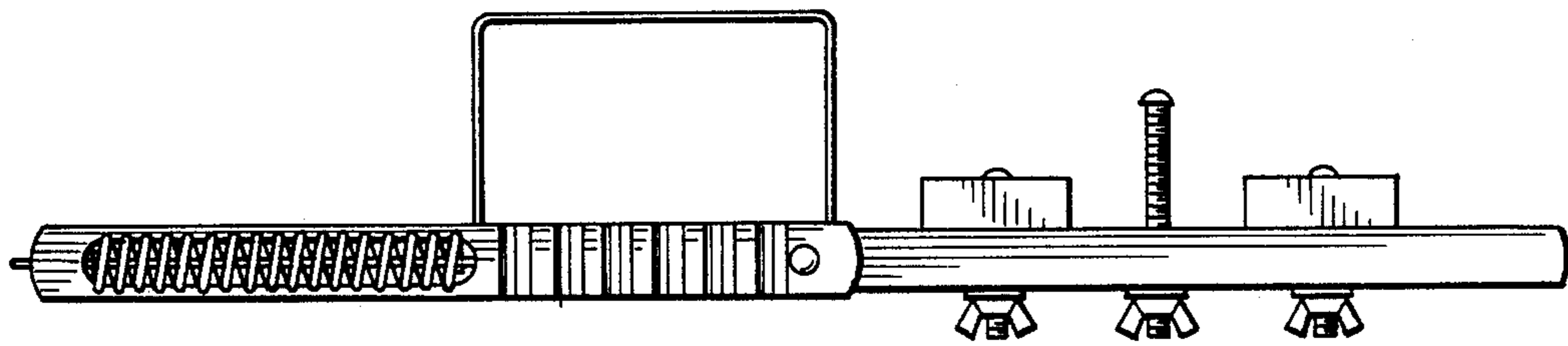


FIG 2

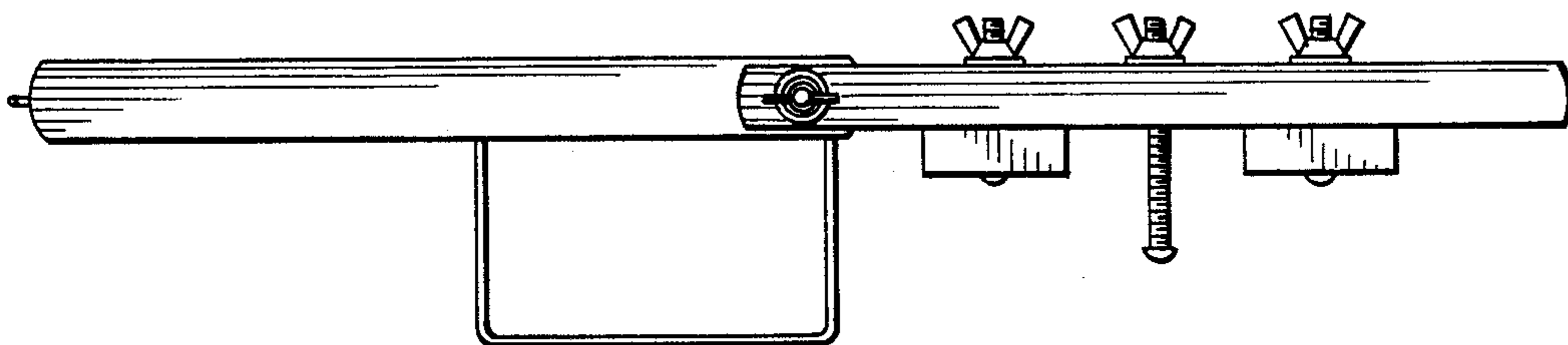


FIG 3

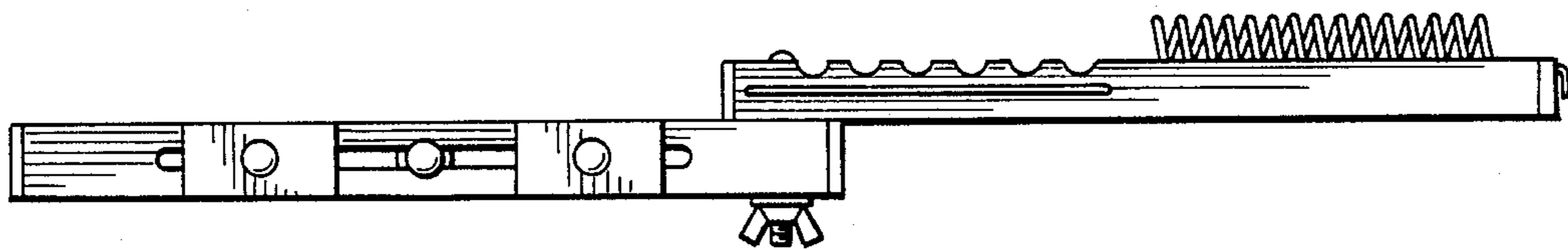


FIG 4

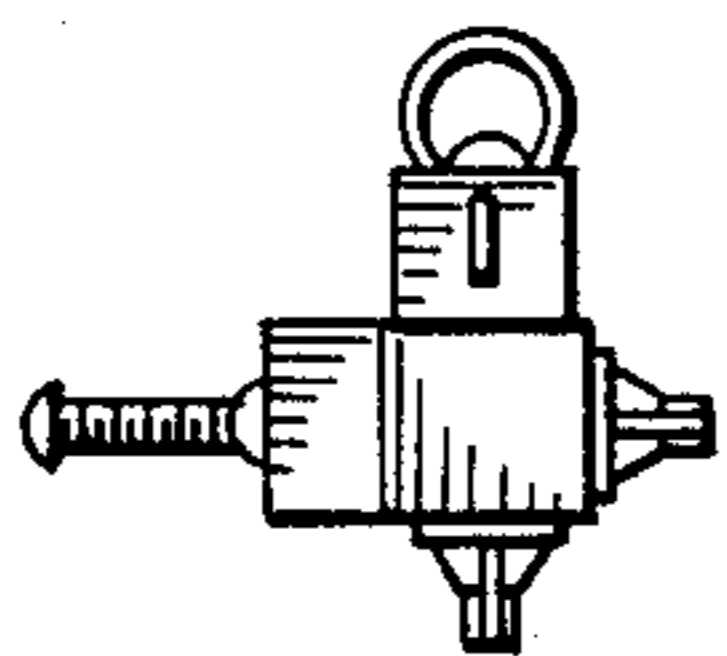


FIG 5

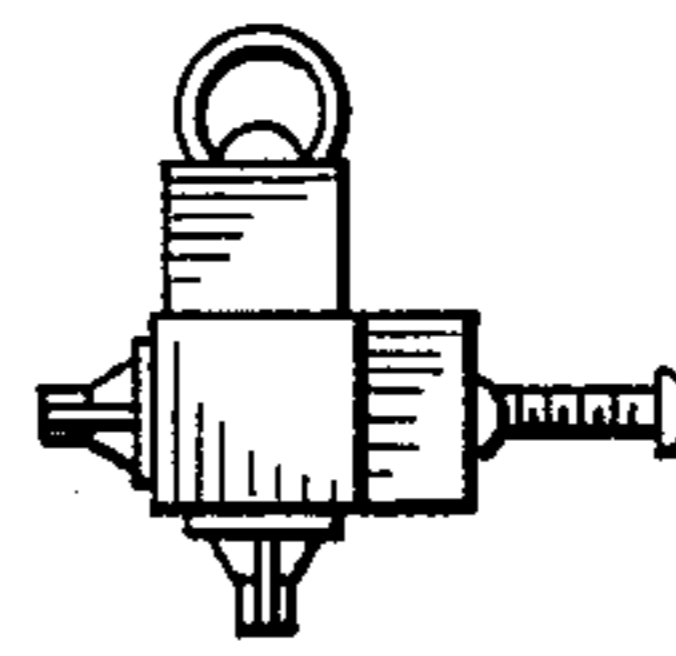


FIG 6

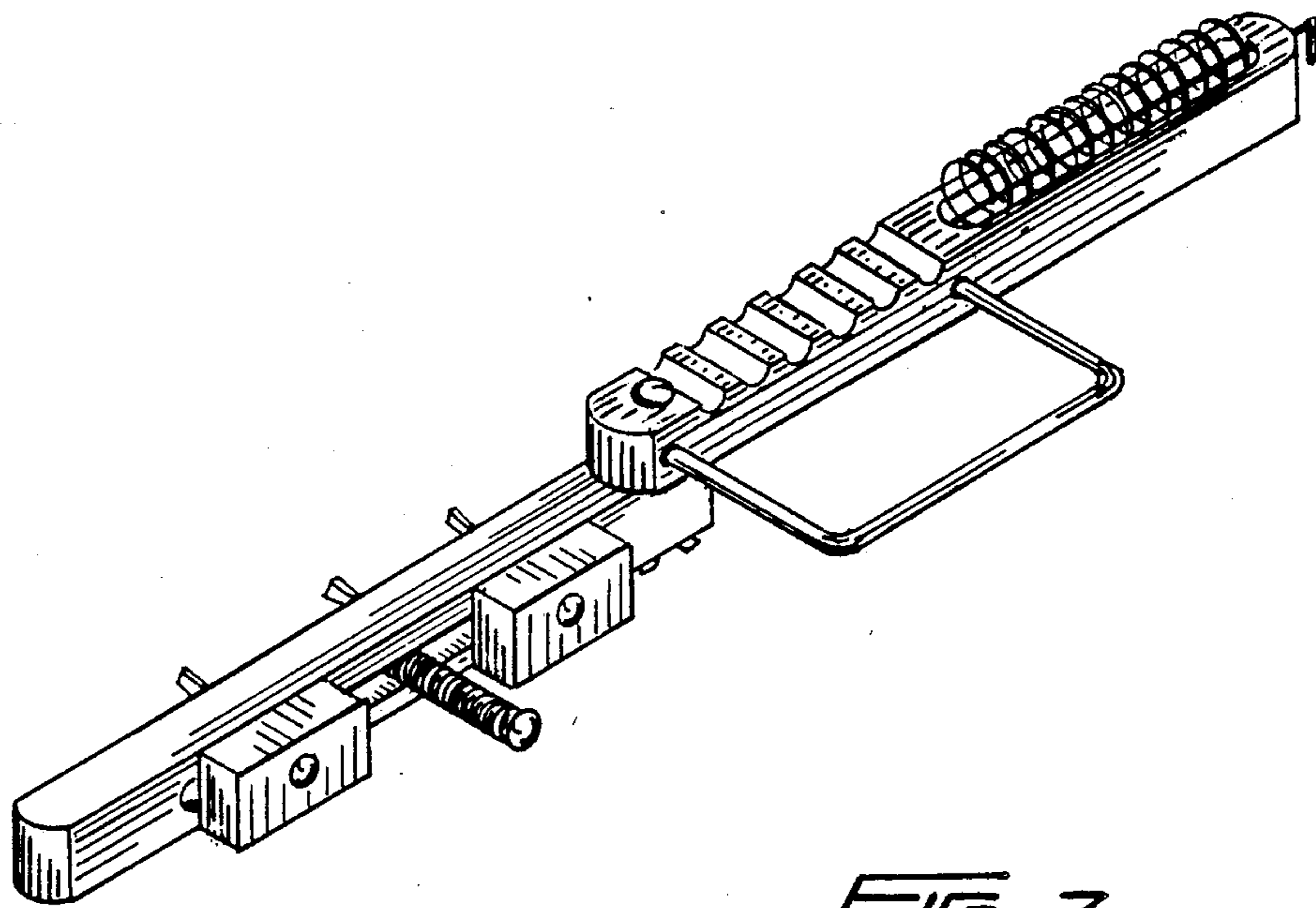


FIG 7