

[54] STEREOSCOPIC VIEWER

[75] Inventors: Martin Thaler; David M. Gresham, both of Chicago, Ill.

[73] Assignee: View-Master Ideal Group, Inc., New York, N.Y.

[**] Term: 14 Years

[21] Appl. No.: 869,067

[22] Filed: May 30, 1986

[52] U.S. Cl. D16/222; D16/221

[58] Field of Search D16/221, 222, 225, 227, D16/229, 233, 200, 206, 207, 208, 210; 350/130, 133, 134, 135, 141, 143; 352/57, 63, 242; 354/114

[56] References Cited

U.S. PATENT DOCUMENTS

D. 171,049	12/1953	Romrell .	
D. 174,902	6/1955	Gilson .	
D. 175,215	7/1955	Gilson .	
D. 184,356	2/1959	Kellogg .	
D. 185,670	7/1959	Kellogg .	
D. 189,006	10/1960	Golden .	
D. 247,497	3/1978	Wolfe	D16/222
2,189,285	2/1940	Gruber .	
2,511,334	6/1950	Gruber .	

FOREIGN PATENT DOCUMENTS

319287 2/1957 Switzerland 350/134

OTHER PUBLICATIONS

Hong Kong Enterprise-11/85, p. 70, (items in lower-right).

Primary Examiner—Melvin B. Feifer
Assistant Examiner—W. Krawczewicz
Attorney, Agent, or Firm—Klarquist, Sparkman, Campbell, Leigh & Whinston

[57] CLAIM

The ornamental design for stereoscopic viewer, as shown and described.

DESCRIPTION

FIG. 1 is a front perspective view of the stereoscopic viewer, showing our new design;
FIG. 2 is a rear perspective view of the stereoscopic viewer;
FIG. 3 is a rear elevational view thereof;
FIG. 4 is a front elevational view thereof;
FIG. 5 is a right side elevational view of the stereoscopic viewer;
FIG. 6 is a left side elevational view thereof;
FIG. 7 is a top plan view thereof; and
FIG. 8 is a bottom plan view thereof.

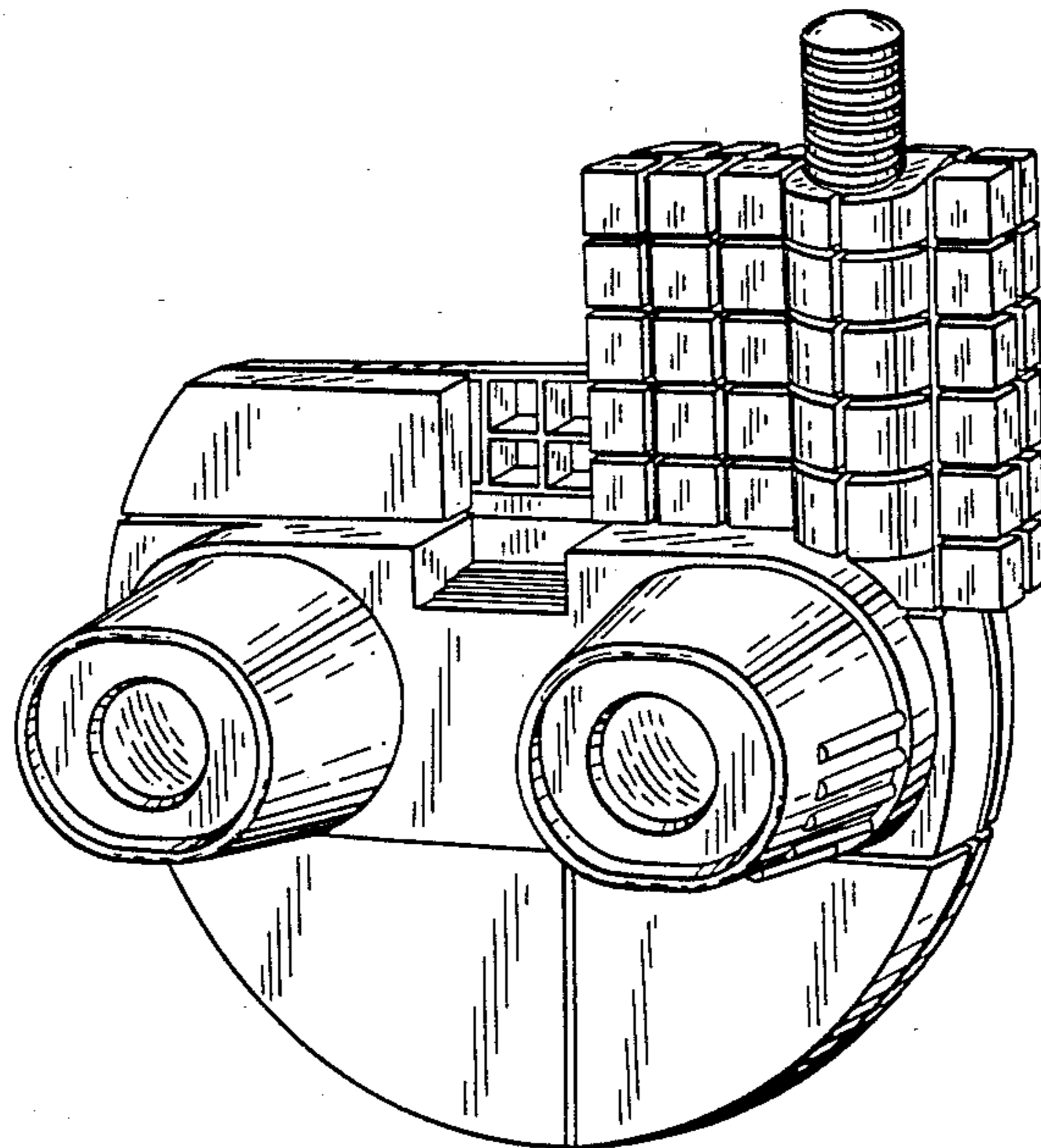


FIG. 1

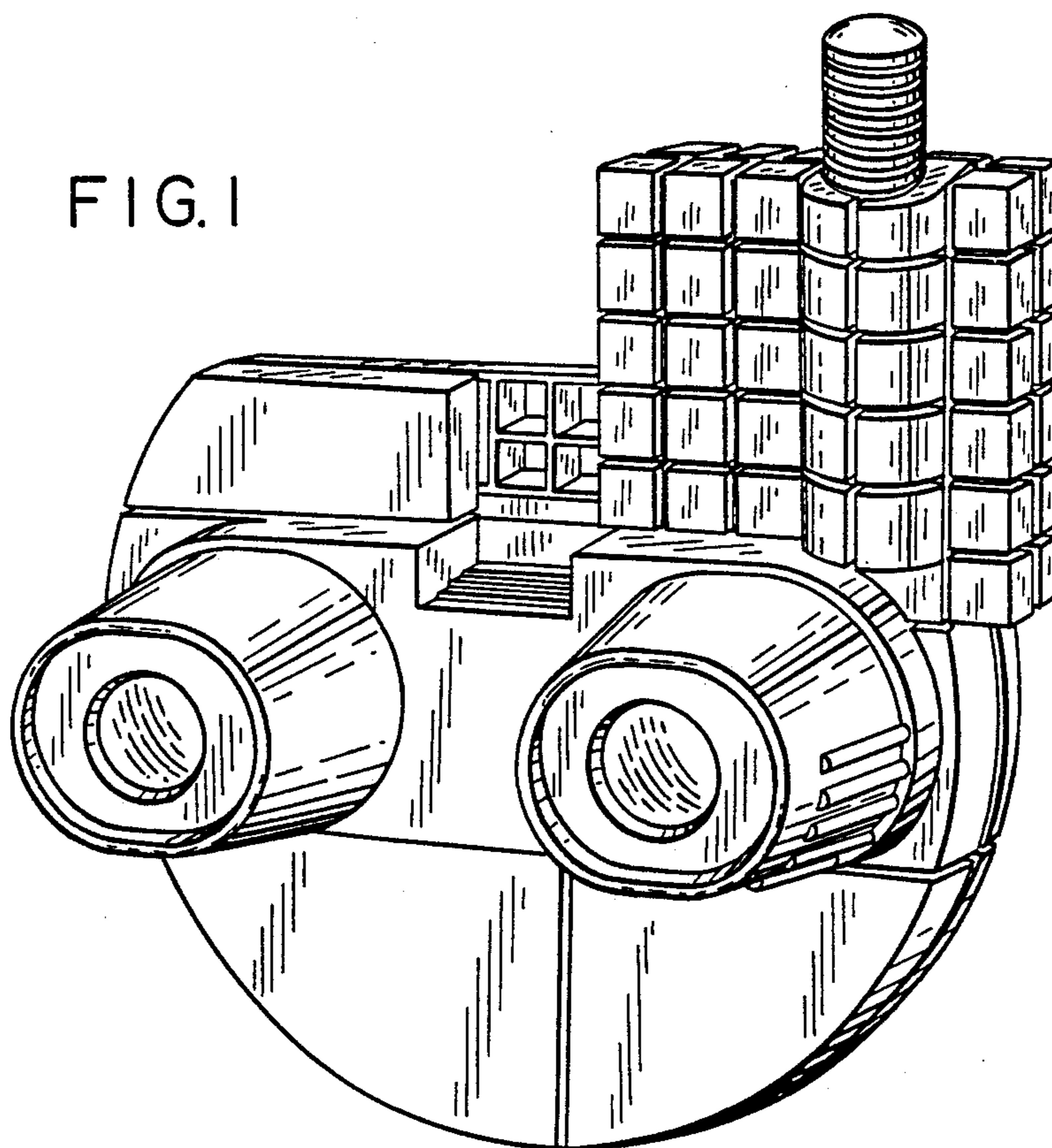
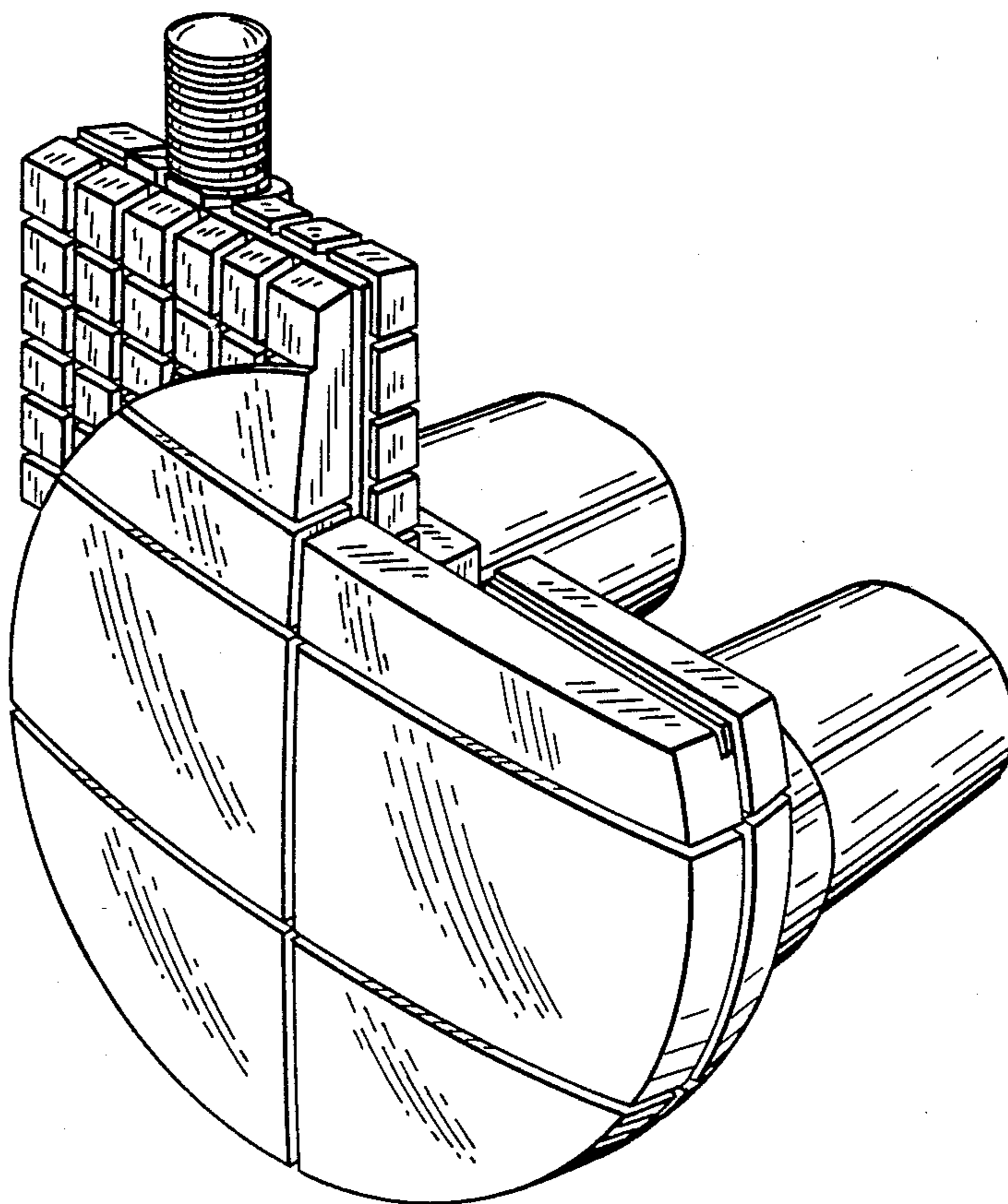


FIG. 2



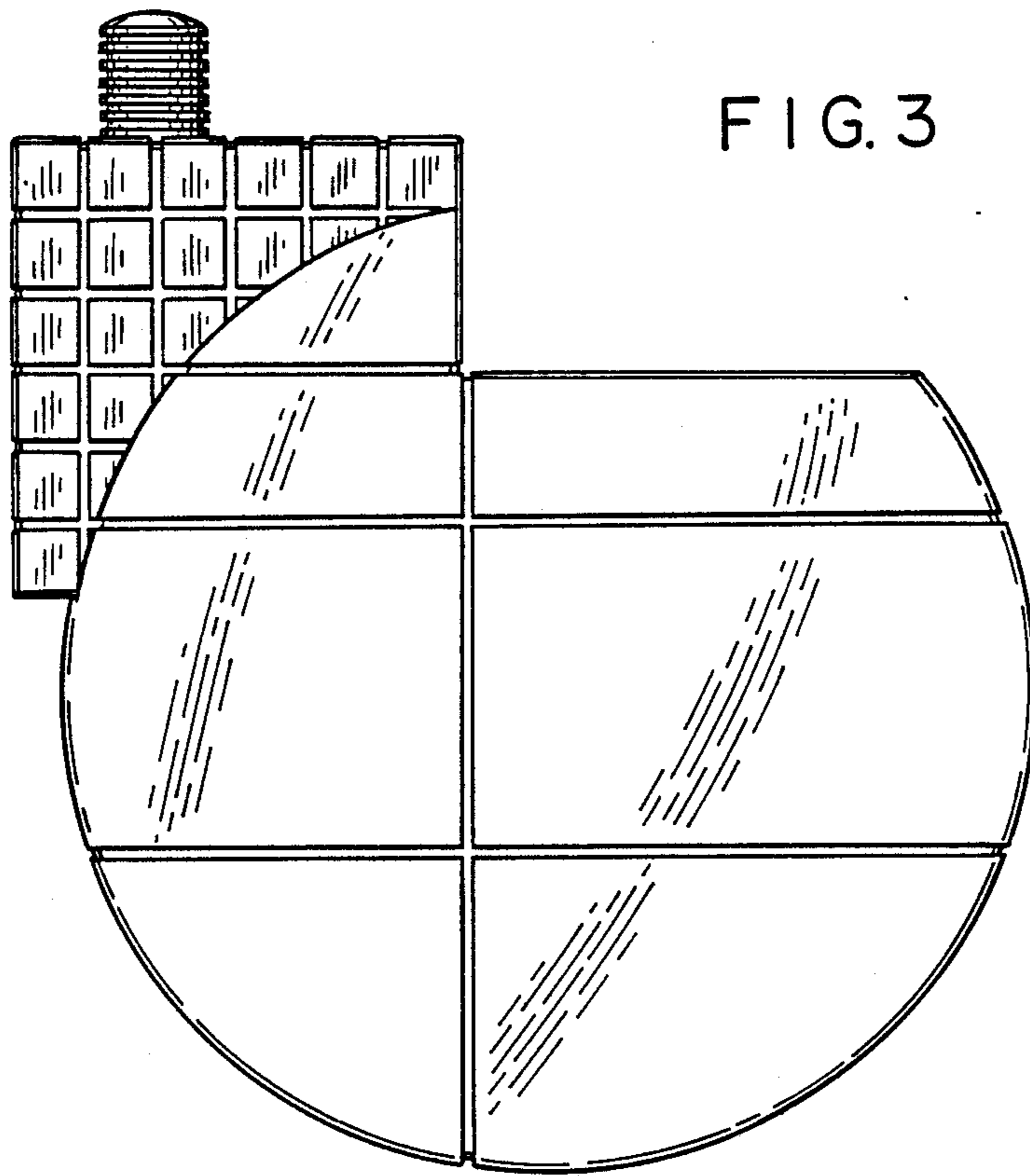


FIG. 4

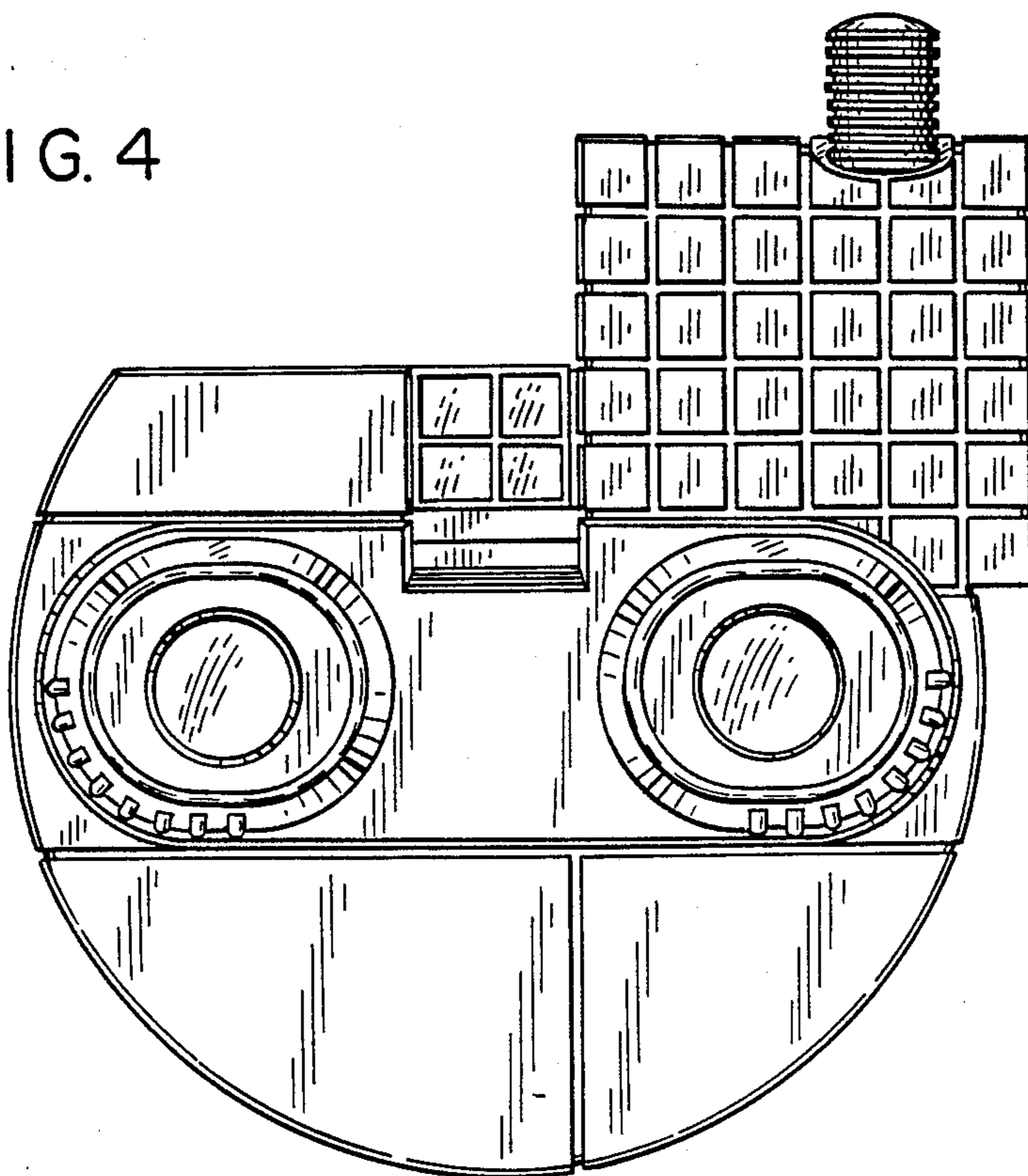


FIG. 5

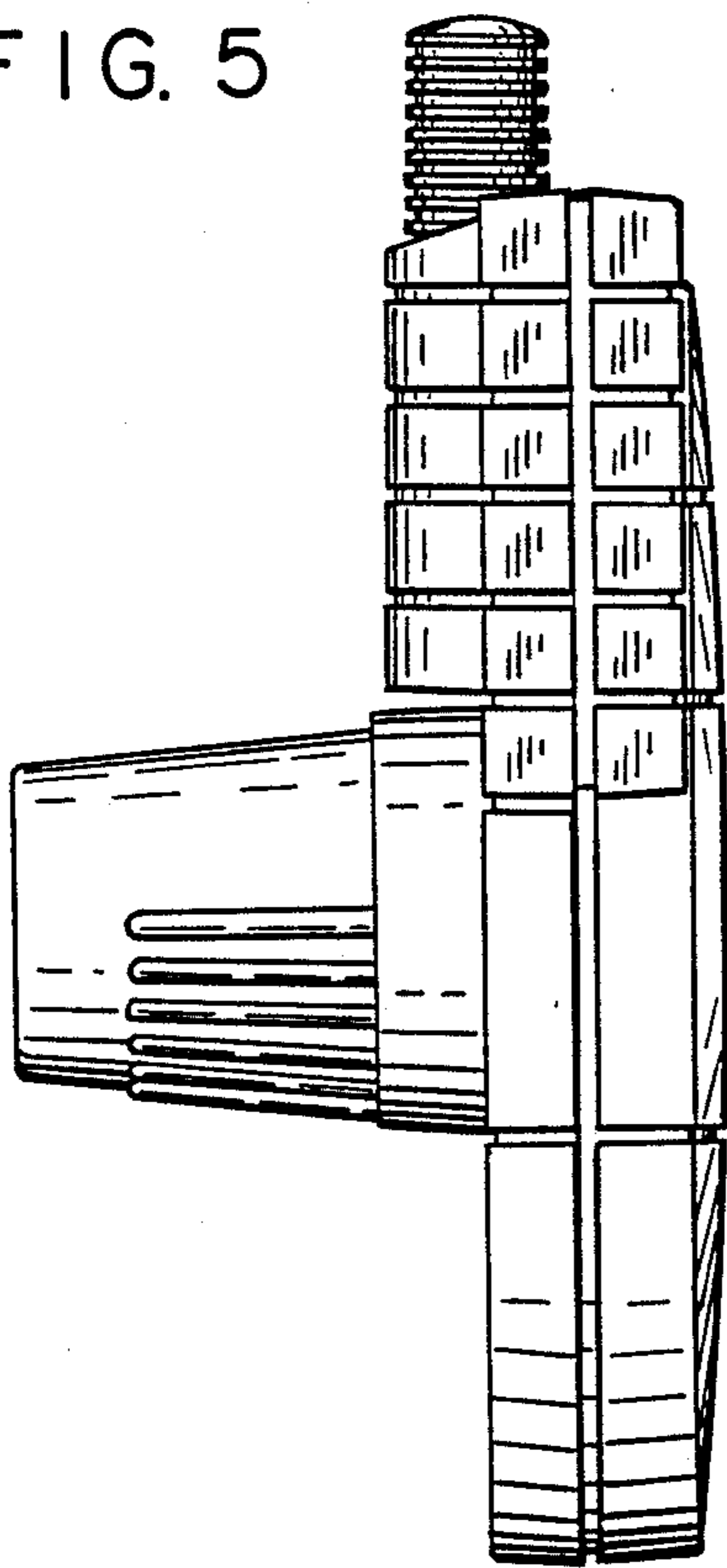


FIG. 6

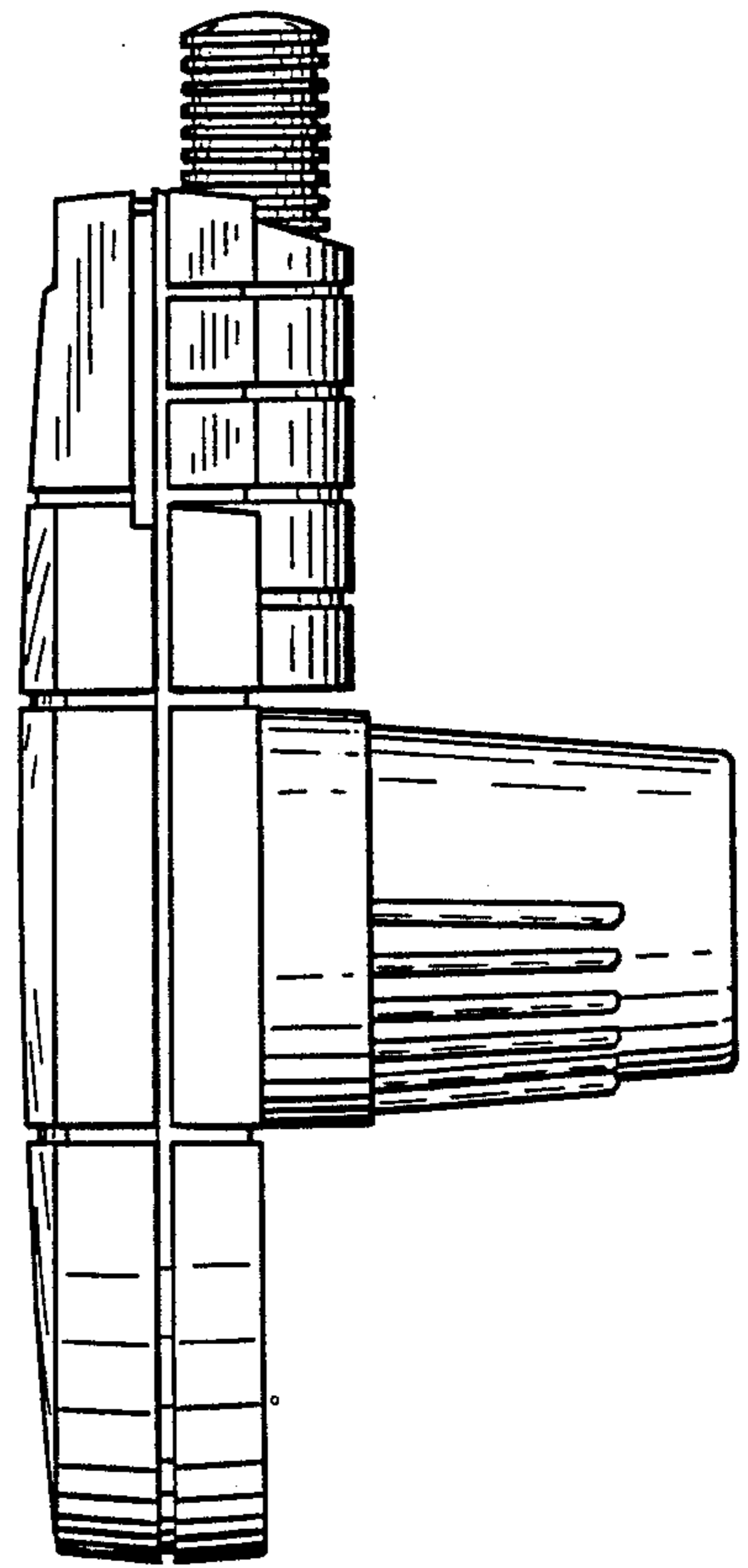


FIG. 7

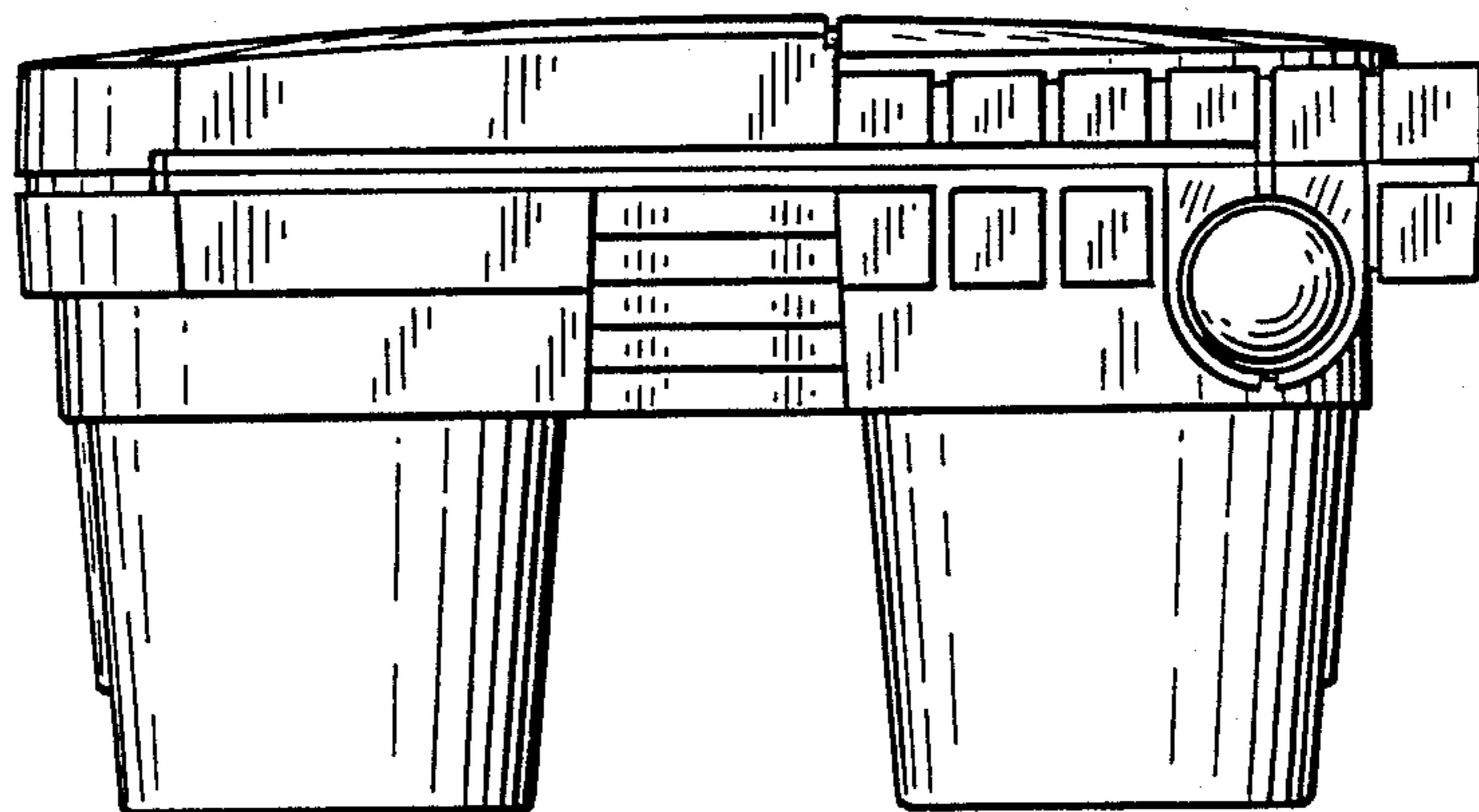


FIG. 8

