

[54] STILL CAMERA

[75] Inventor: Bruce A. Leonard, Honeoye Falls, N.Y.

[73] Assignee: Eastman Kodak Company, Rochester, N.Y.

[**] Term: 14 Years

[21] Appl. No.: 2,461

[22] Filed: Jan. 12, 1987

[52] U.S. Cl. D16/209

[58] Field of Search D16/200, 208, 209, 217, D16/218; 354/126, 127.11, 149.1, 149.11, 202, 288

[56] References Cited

U.S. PATENT DOCUMENTS

- D. 271,881 12/1983 Kato D16/209
- D. 296,215 6/1988 Hansen D16/209
- 4,556,304 12/1985 Fukuda 354/288

OTHER PUBLICATIONS

Popular Photography, Nov. 1989, p. 75 (Chinon 35FS-11 Camera in the middle of the page).

35 mm Photography, Jul. 1985, p. 12, (Camera at bottom left).

Primary Examiner—Bernard Ansher
Assistant Examiner—Adir Aronovich
Attorney, Agent, or Firm—Roger A. Fields

[57] CLAIM

The ornamental design for a still camera, substantially as shown.

DESCRIPTION

FIG. 1 is a top left perspective view of a still camera showing my new design with a lens cover in open position;

FIG. 2 is a top left perspective view thereof, with the lens cover in closed position.

FIG. 3 is a bottom and right rear perspective view thereof.

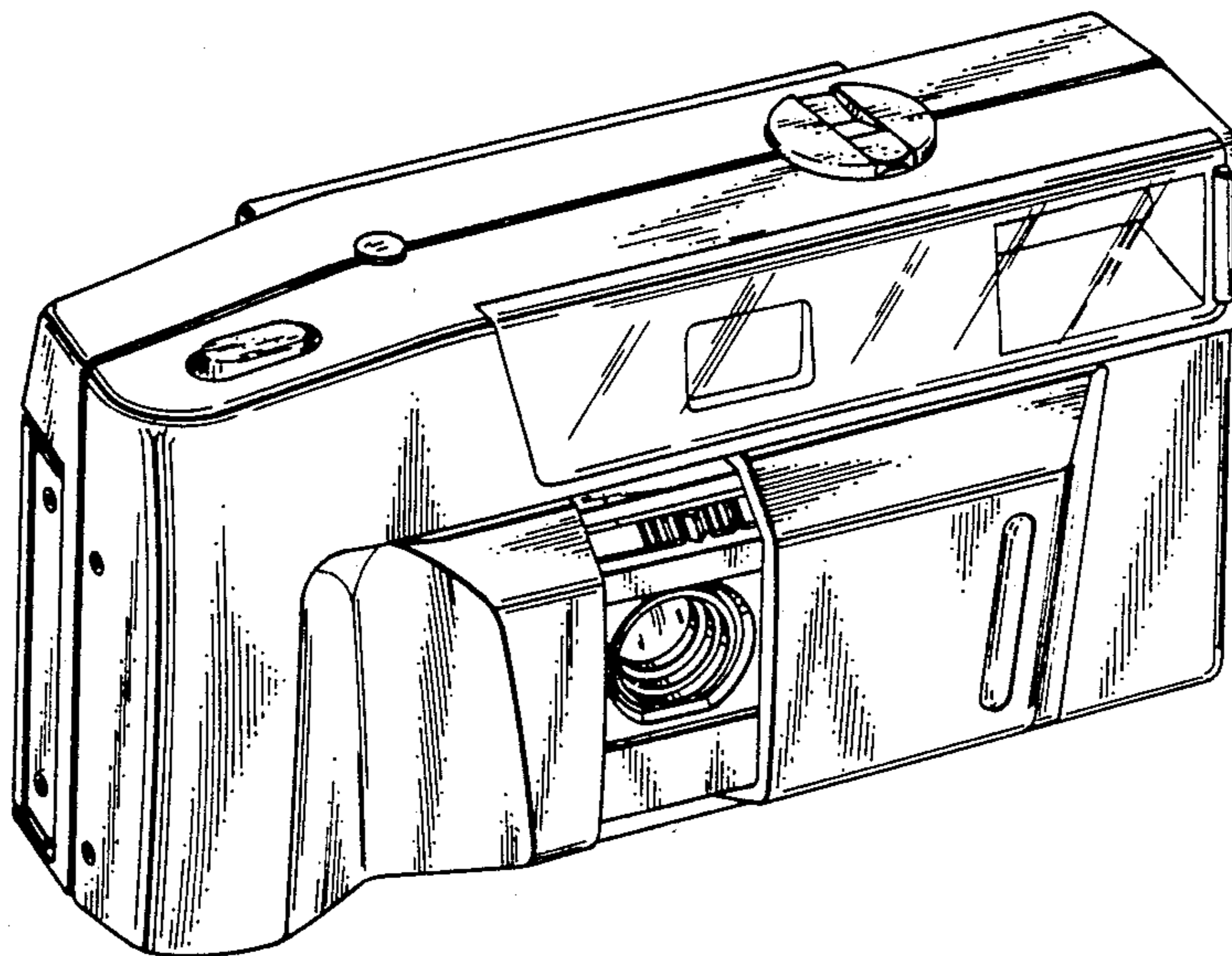


FIG. 1

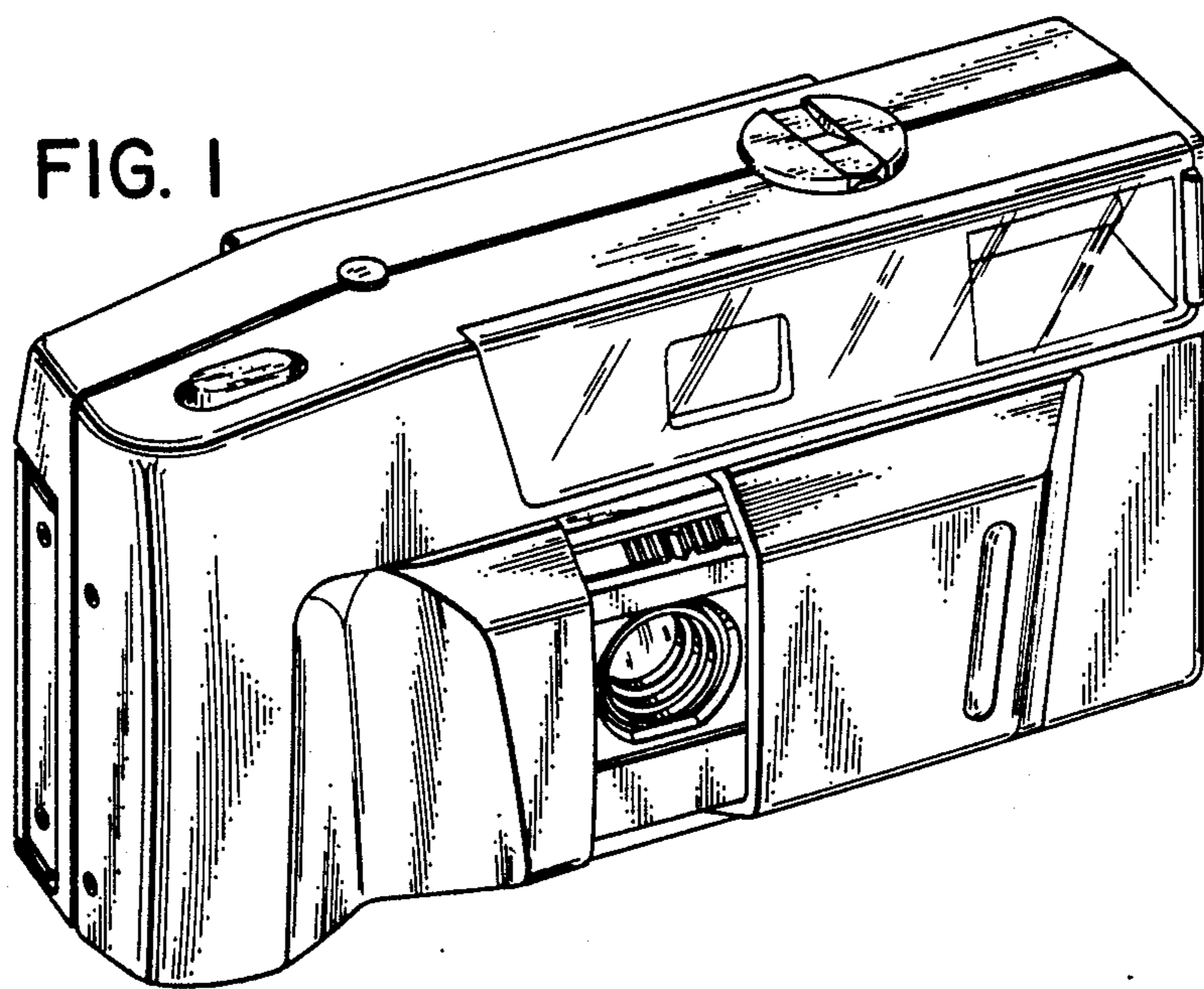
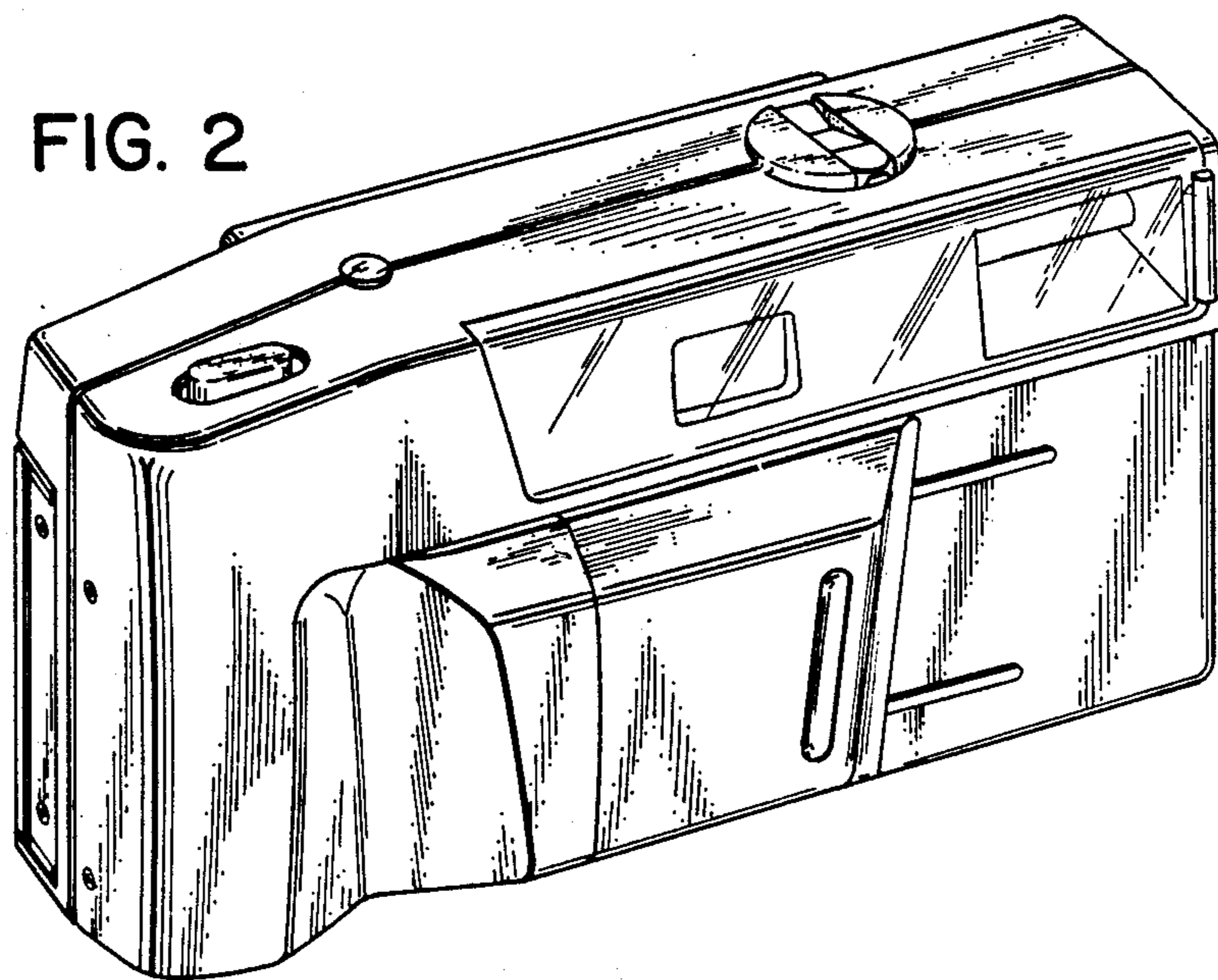


FIG. 2



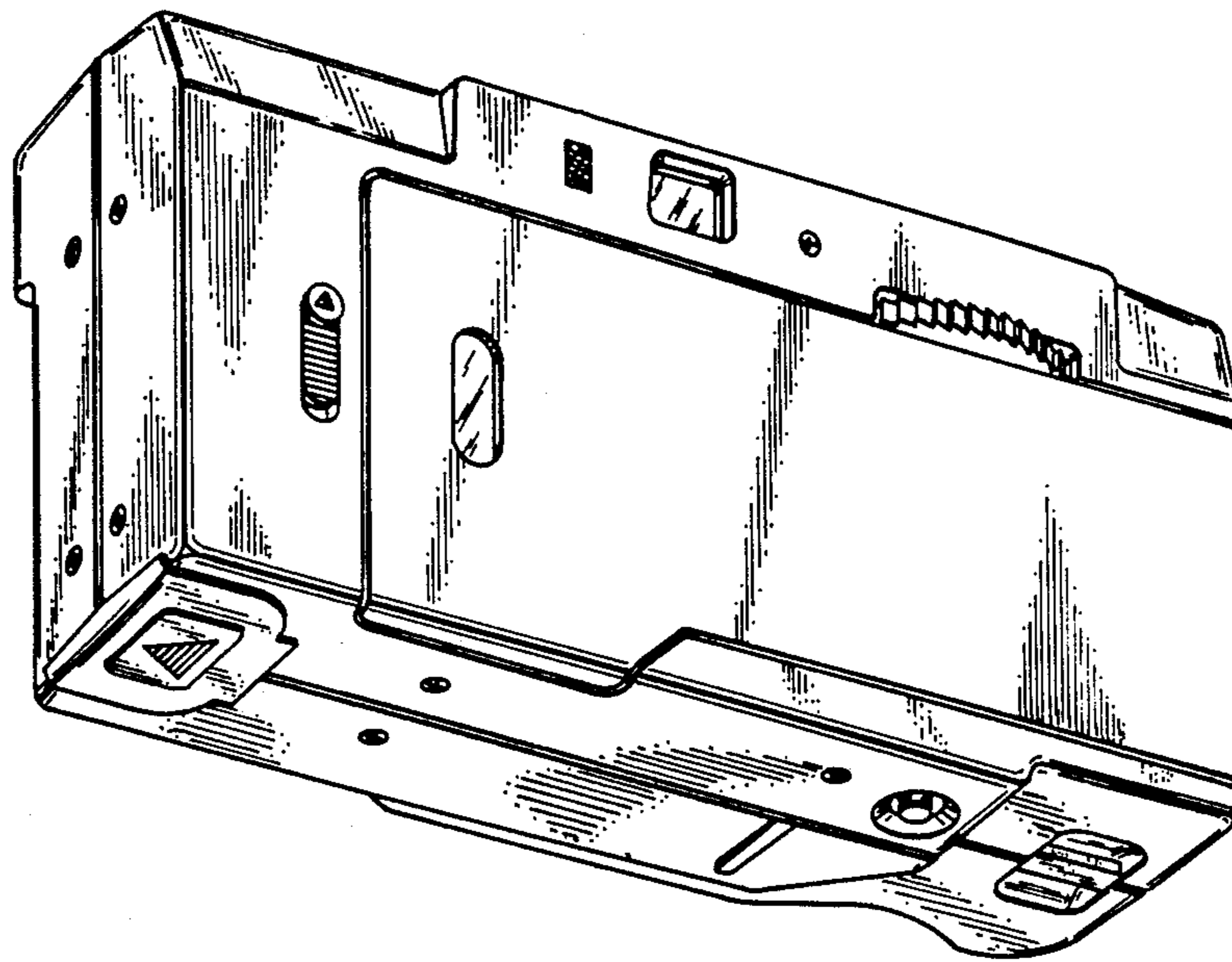


FIG. 3