

[54] LOUDSPEAKER

[75] Inventor: Bruce W. Howze, Springfield, Pa.

[73] Assignee: Whelen Technologies, Inc., Chester, Conn.

[**] Term: 14 Years

[21] Appl. No.: 69,032

[22] Filed: Jul. 1, 1987

[52] U.S. Cl. D14/212

[58] Field of Search D14/204-216, D14/219-224; 312/7.1; 381/24, 86-88, 90, 159, 182, 186, 205; 181/144, 148, 152, 153, 155, 157, 198, 199

[56] References Cited

U.S. PATENT DOCUMENTS

D. 217,154	4/1970	Boldt et al.	D14/212
D. 223,255	4/1972	Boldt et al.	D14/212
D. 247,490	3/1978	Everidge	D14/212
D. 281,316	11/1985	Gary	D14/212
D. 288,560	3/1987	Anderson	D14/212
1,213,732	1/1917	Bossu .	
1,777,283	10/1930	Cosgrave .	
1,960,258	5/1934	Williams .	
2,820,525	1/1958	Fountain et al. .	
3,153,783	10/1964	Whitehead .	

4,039,044	8/1977	Heil	181/144
4,200,170	4/1980	Williams, Jr.	181/144 X

FOREIGN PATENT DOCUMENTS

733450	2/1943	Fed. Rep. of Germany .
459570	6/1913	France .

OTHER PUBLICATIONS

Elektrotechnische Zeitschrift 8/8/34, vol. 32, p. 787.

Primary Examiner—B. J. Bullock

Assistant Examiner—Theodore M. Shooman

Attorney, Agent, or Firm—Chilton, Alix & Van Kirk

[57] CLAIM

The ornamental design for a loudspeaker, as shown and described.

DESCRIPTION

FIG. 1 is a front elevational view of a loudspeaker showing my new design, the rear and sides being identical;

FIG. 2 is a top plan view thereof;

FIG. 3 is a bottom plan view thereof; and

FIG. 4 is a front elevational view of a second embodiment of the loudspeaker illustrated in FIG. 1, the rear and sides being identical and the top and bottom being identical to FIGS. 2 and 3 respectively.

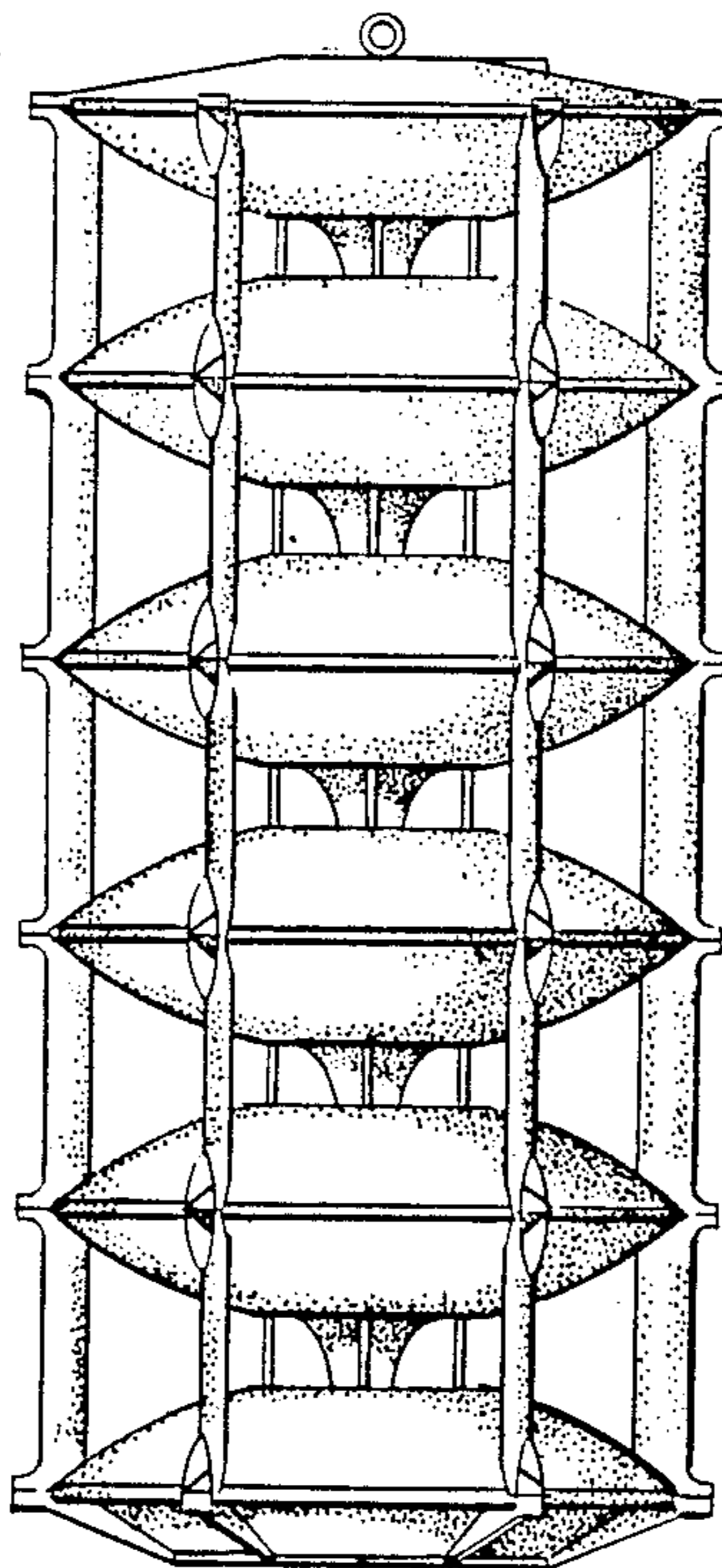


FIG. 2

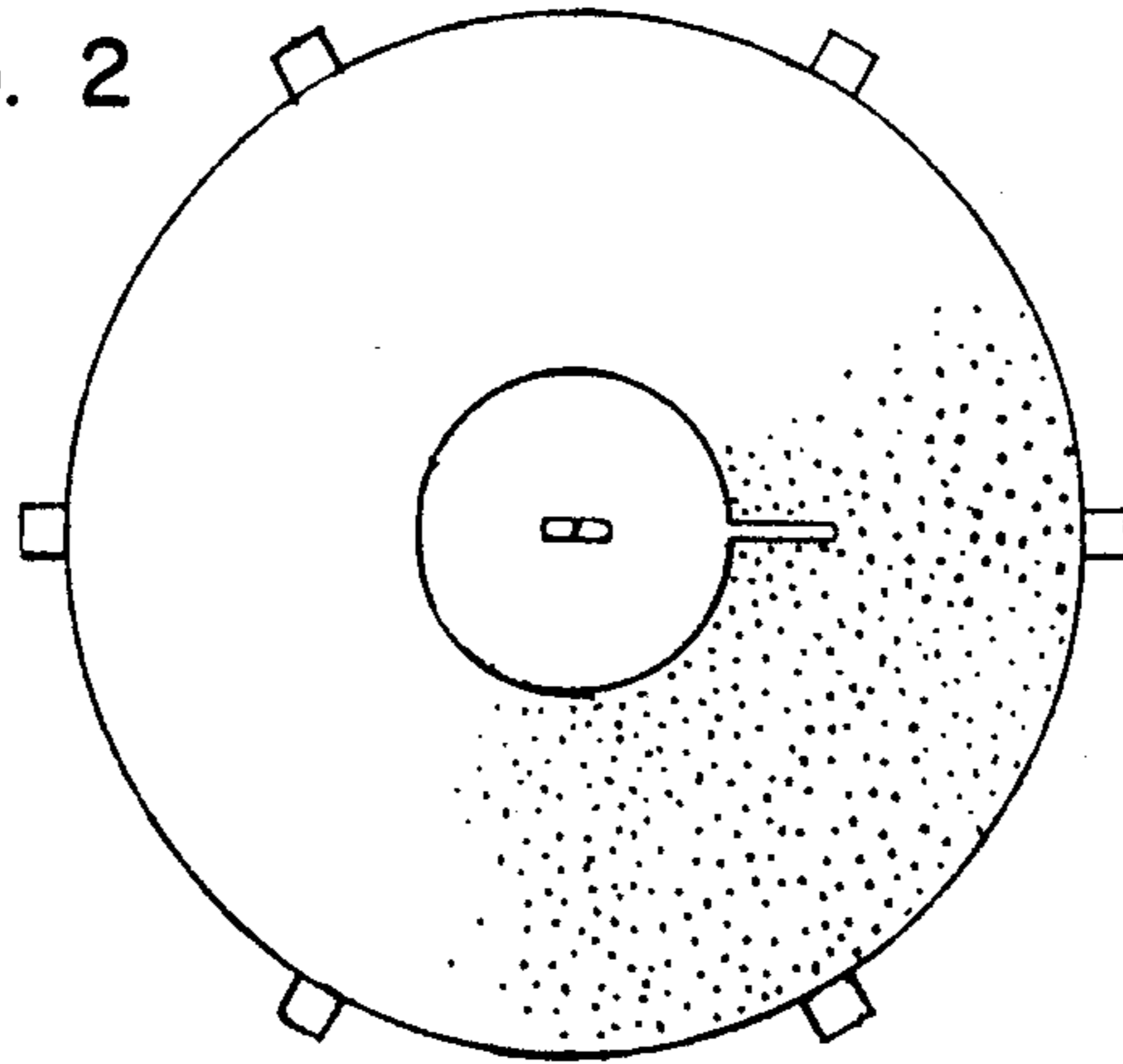


FIG. 1

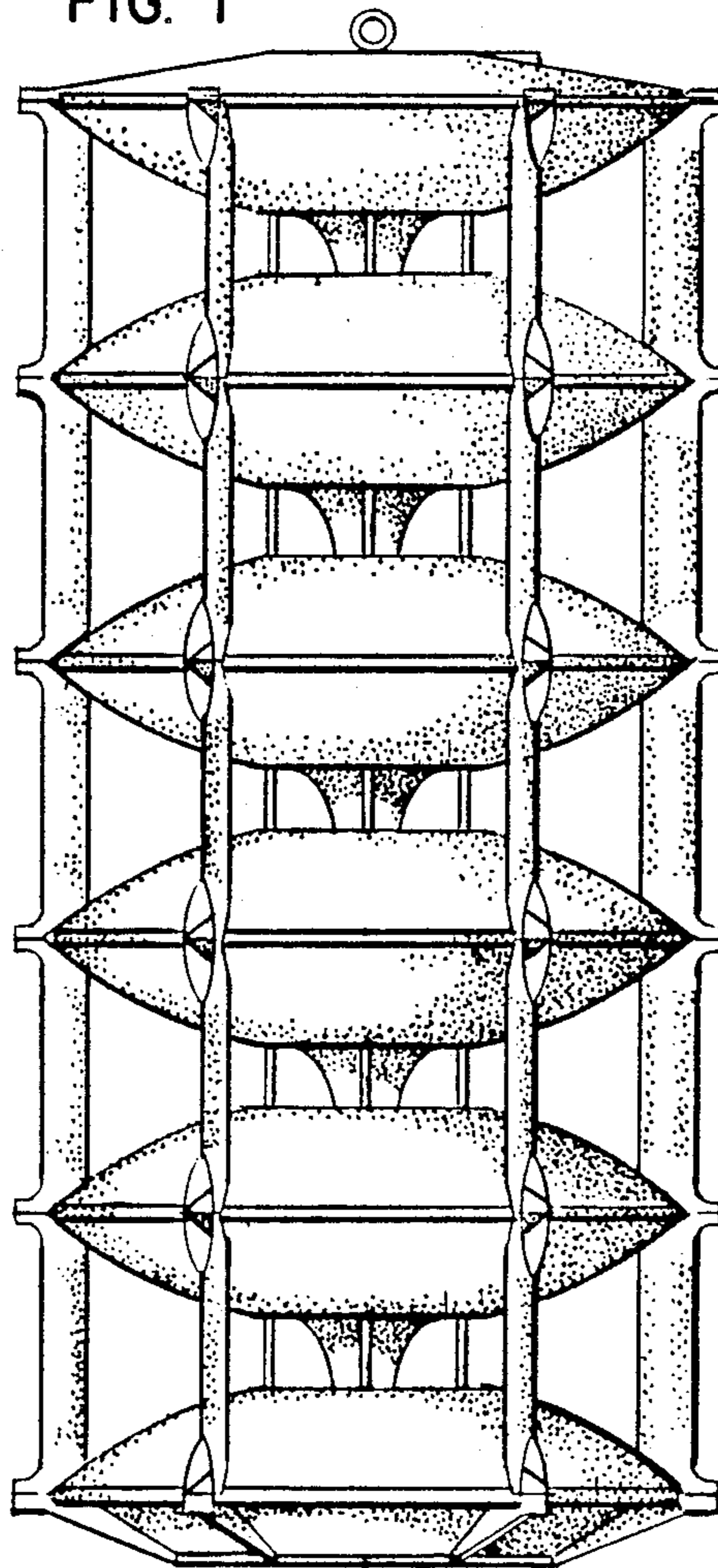


FIG. 4

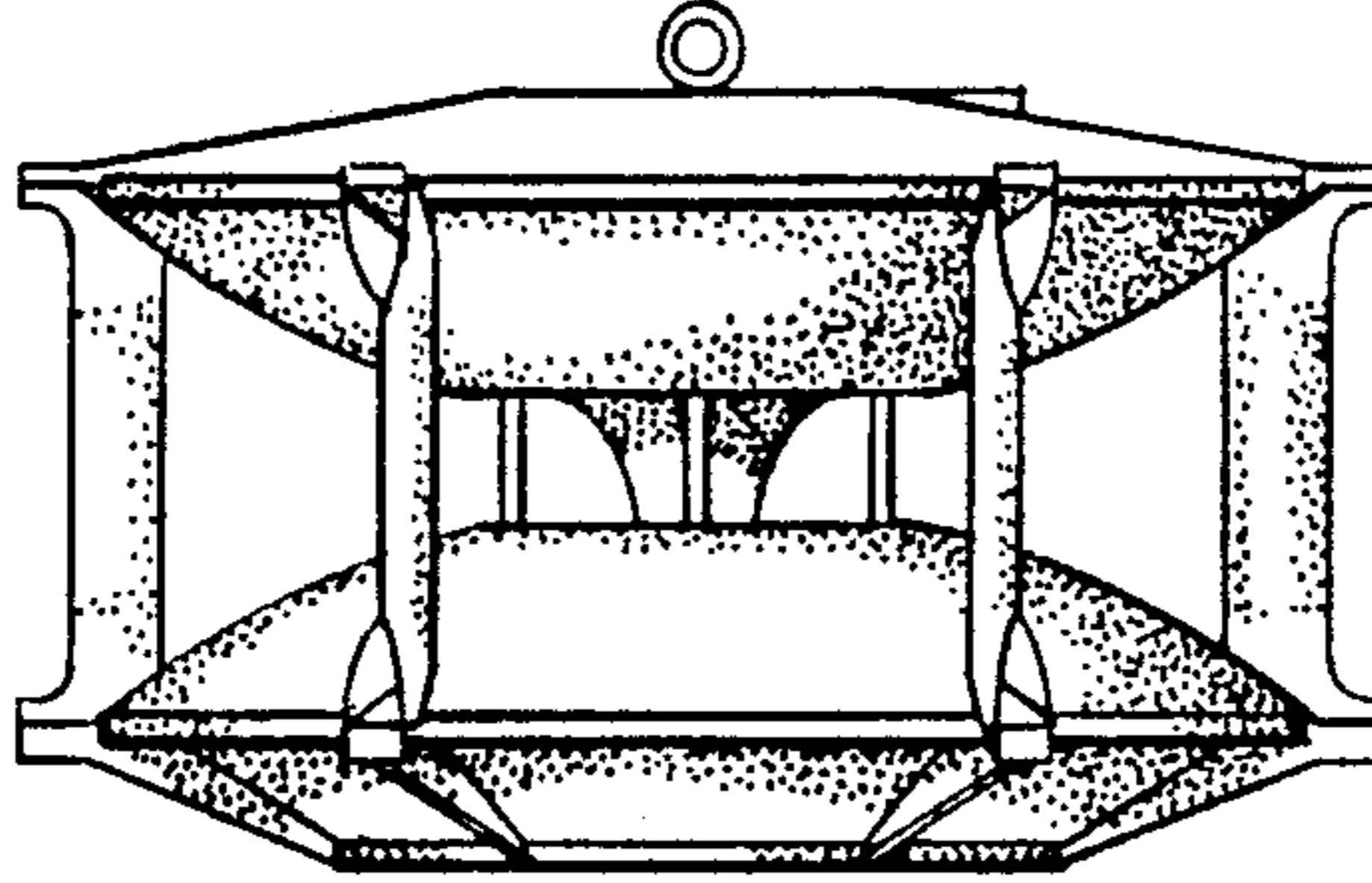


FIG. 3

