

[54] COMBINED TAPE RECORDER AND RADIO

[75] Inventor: Mitsutaka Fuke, Osaka, Japan
[73] Assignee: Sharp Corporation, Osaka, Japan
[**] Term: 14 Years
[21] Appl. No.: 85,061
[22] Filed: Aug. 13, 1987

[30] Foreign Application Priority Data

Feb. 17, 1987 [JP] Japan 62-5929
[52] U.S. Cl. D14/163
[58] Field of Search D14/154, 160-168,
D14/188, 191-198, 299; 455/344, 347, 350, 351

[56] References Cited

U.S. PATENT DOCUMENTS

D. 234,408 2/1975 Kawano D14/196
D. 294,692 3/1988 Urushihara et al. D14/163
D. 297,834 9/1988 Kawabe et al. D14/163

OTHER PUBLICATIONS

HFD,4/21/86, p. 157, top left—Sharp model WQ-T282 Dual Cassette Recorder—Radio.

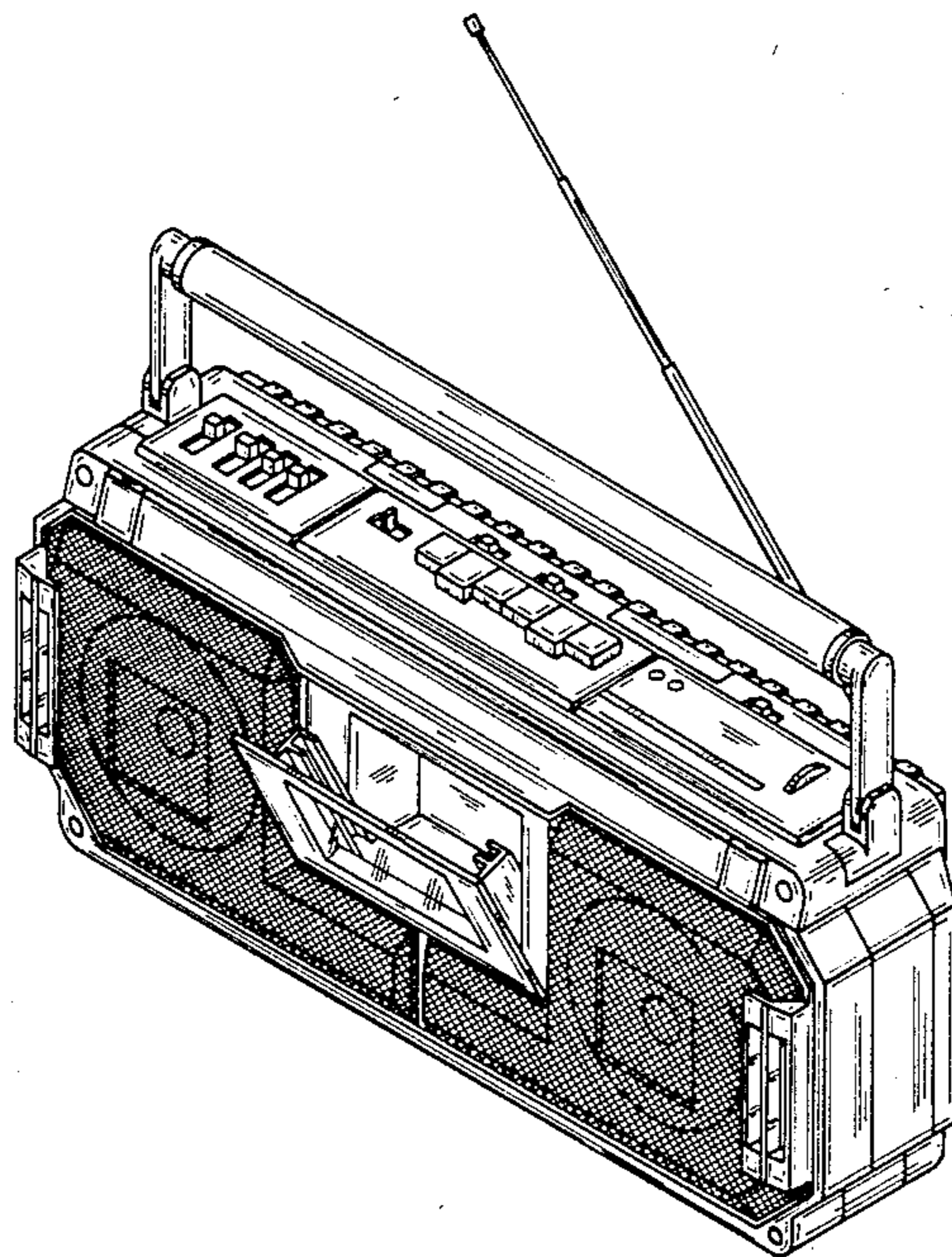
Primary Examiner—Bernard Ansher
Assistant Examiner—Theodore M. Shooman
Attorney, Agent, or Firm—Flehr, Hohbach, Test, Albritton & Herbert

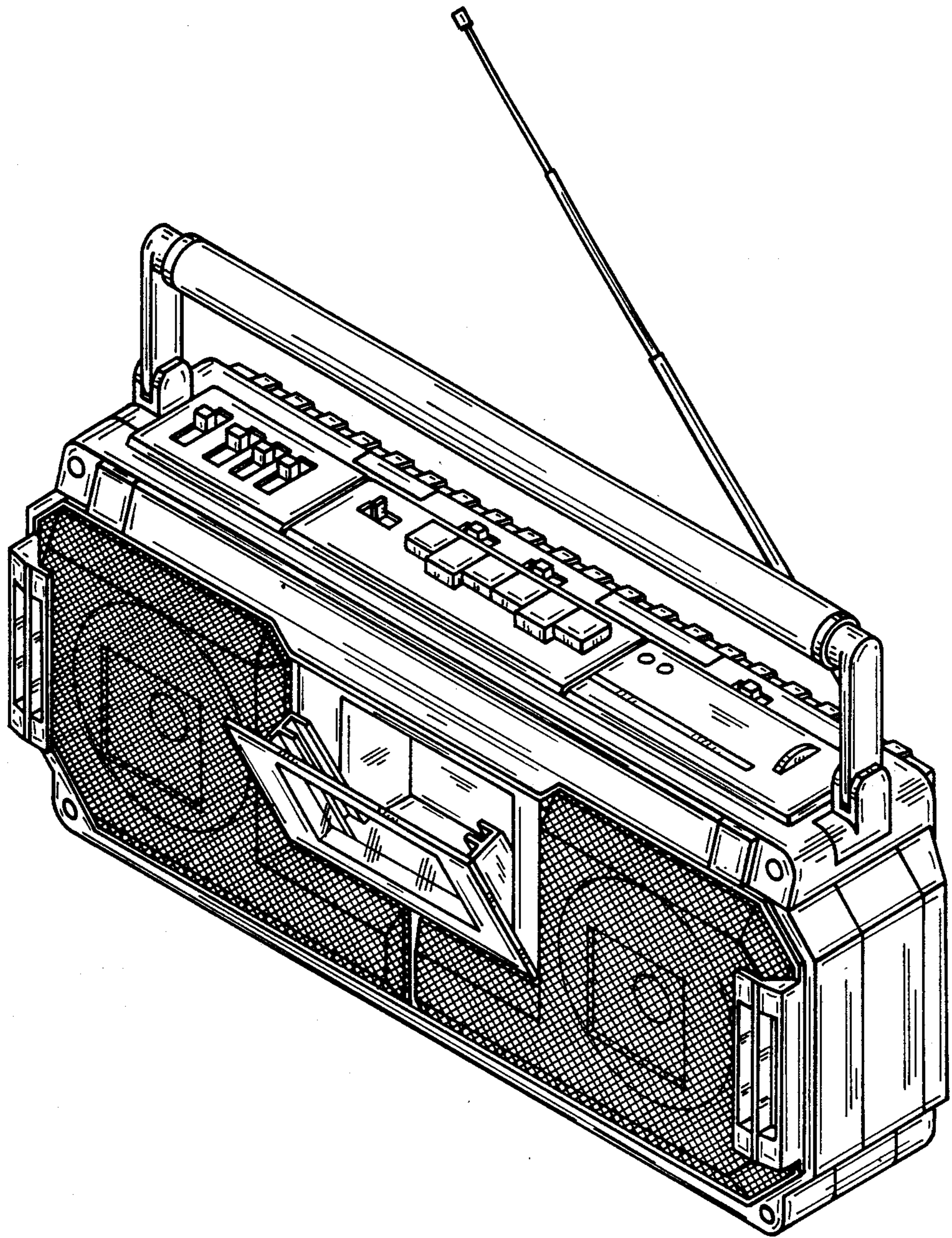
[57] CLAIM

The ornamental design for a combined tape recorder and radio, as shown and described.

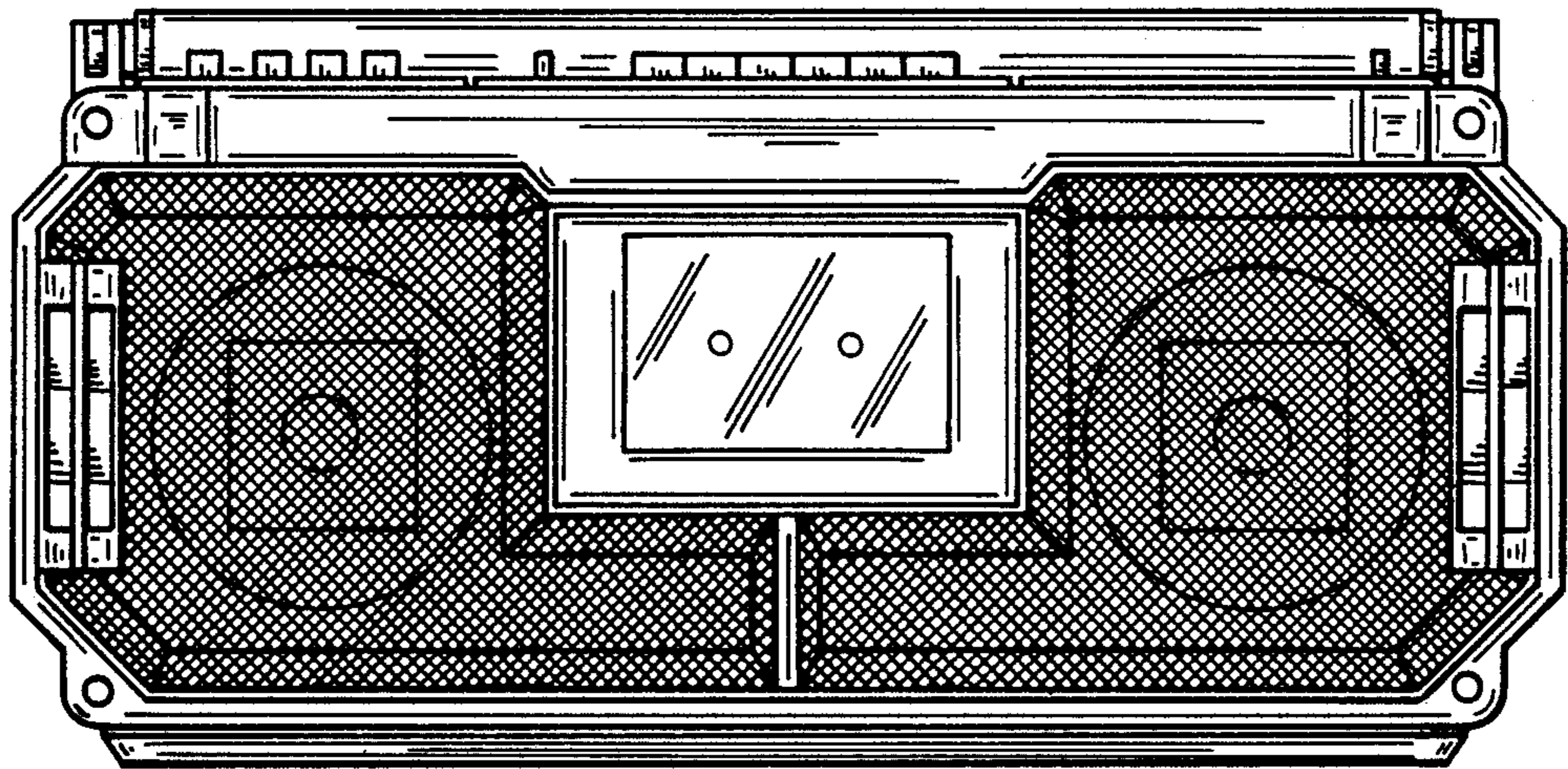
DESCRIPTION

FIG. 1 is a top, front and right side perspective view of a combined tape recorder and radio showing my new design, with the antenna in a raised position and the cassette holder in an open position;
FIG. 2 is a front elevational view thereof;
FIG. 3 is a rear elevational view thereof;
FIG. 4 is a top plan view thereof;
FIG. 5 is a bottom plan view thereof;
FIG. 6 is a right side elevational view thereof; and
FIG. 7 is a left side elevational view thereof.

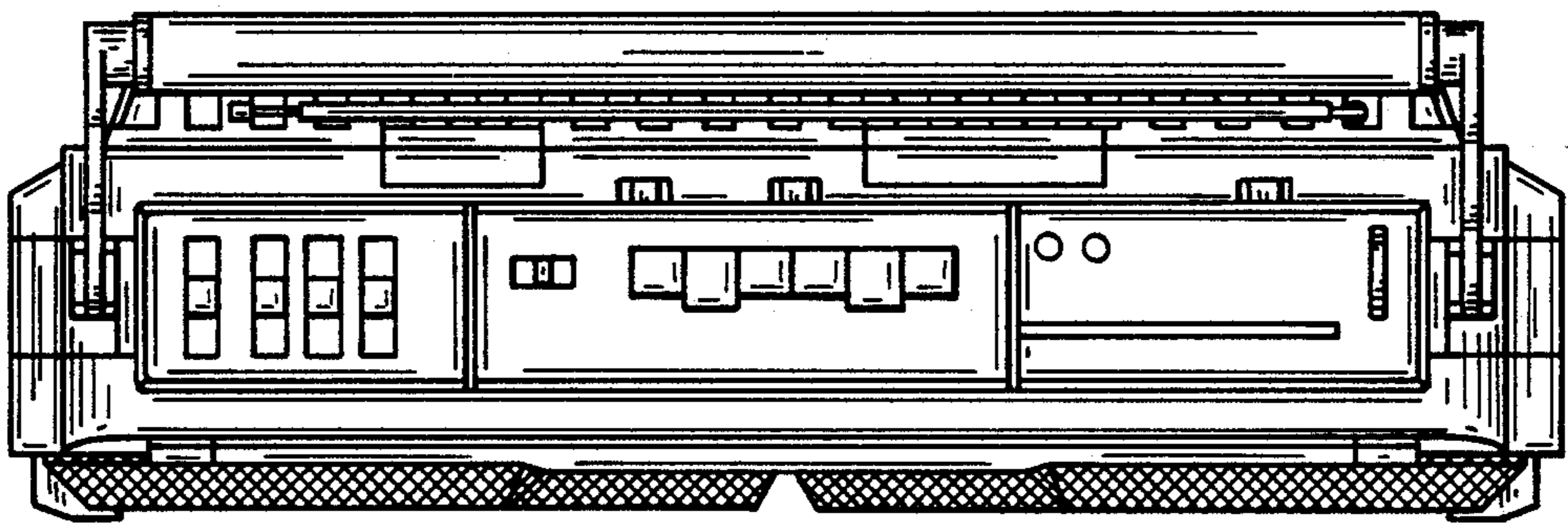




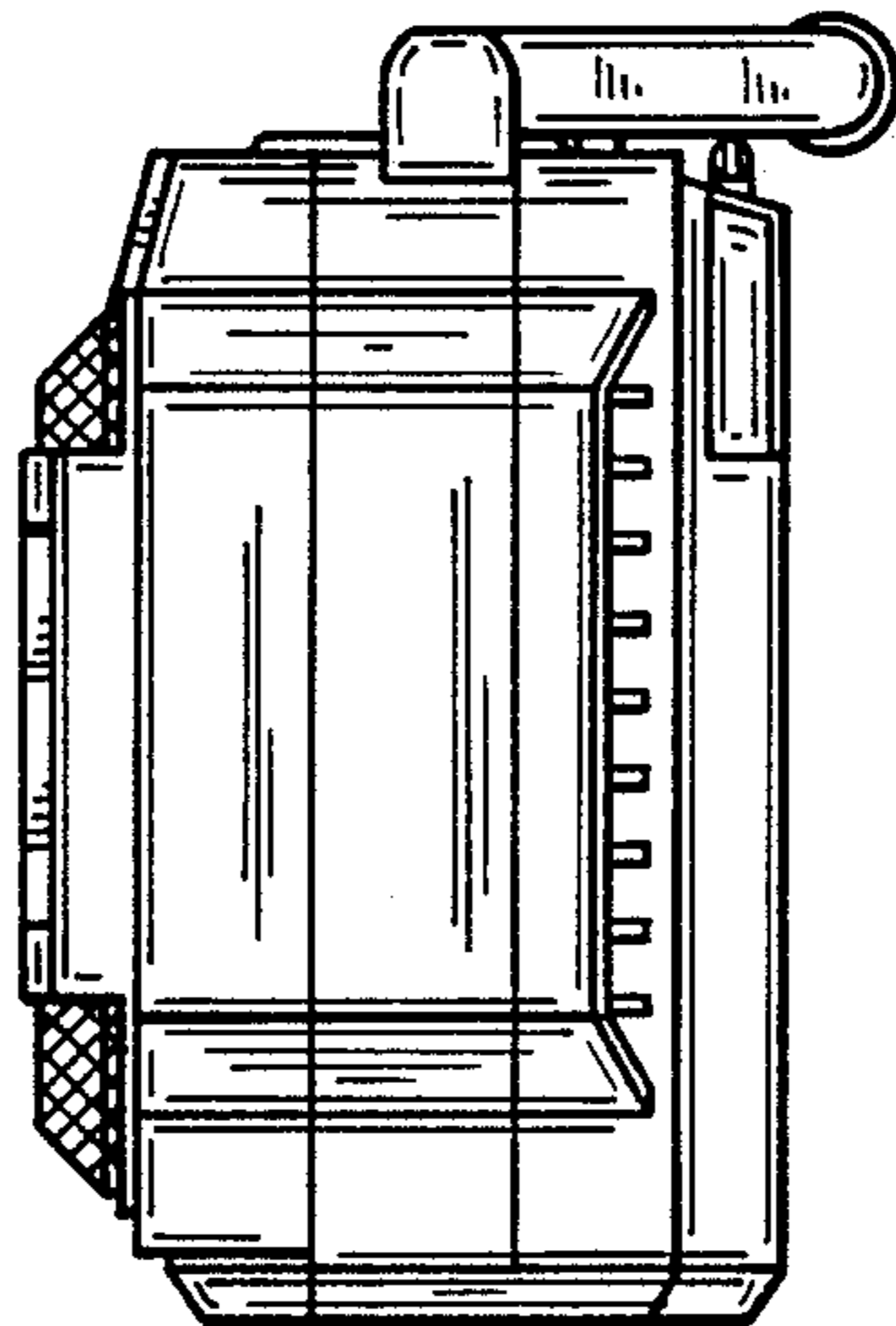
FIG_1



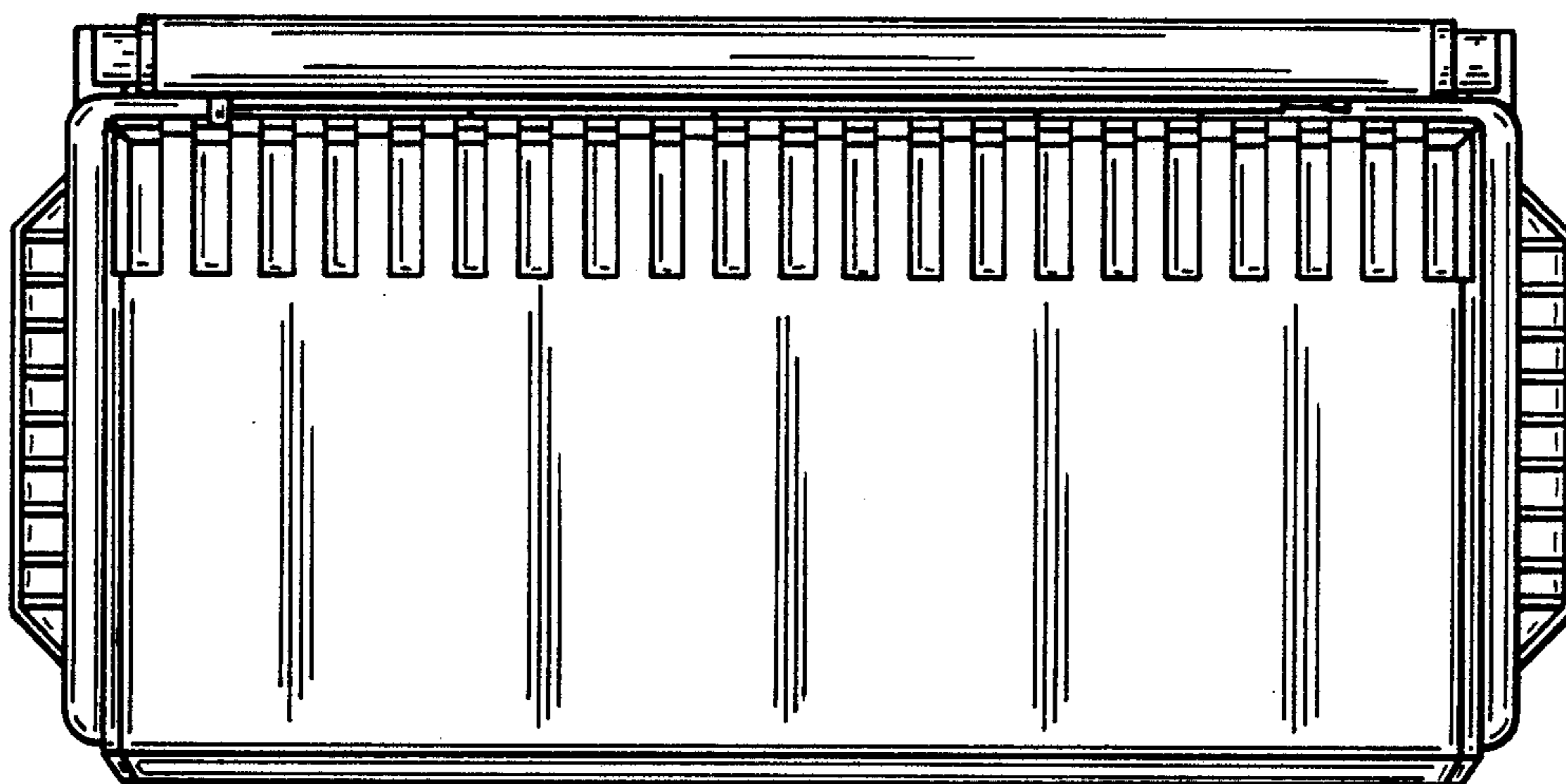
FIG_2



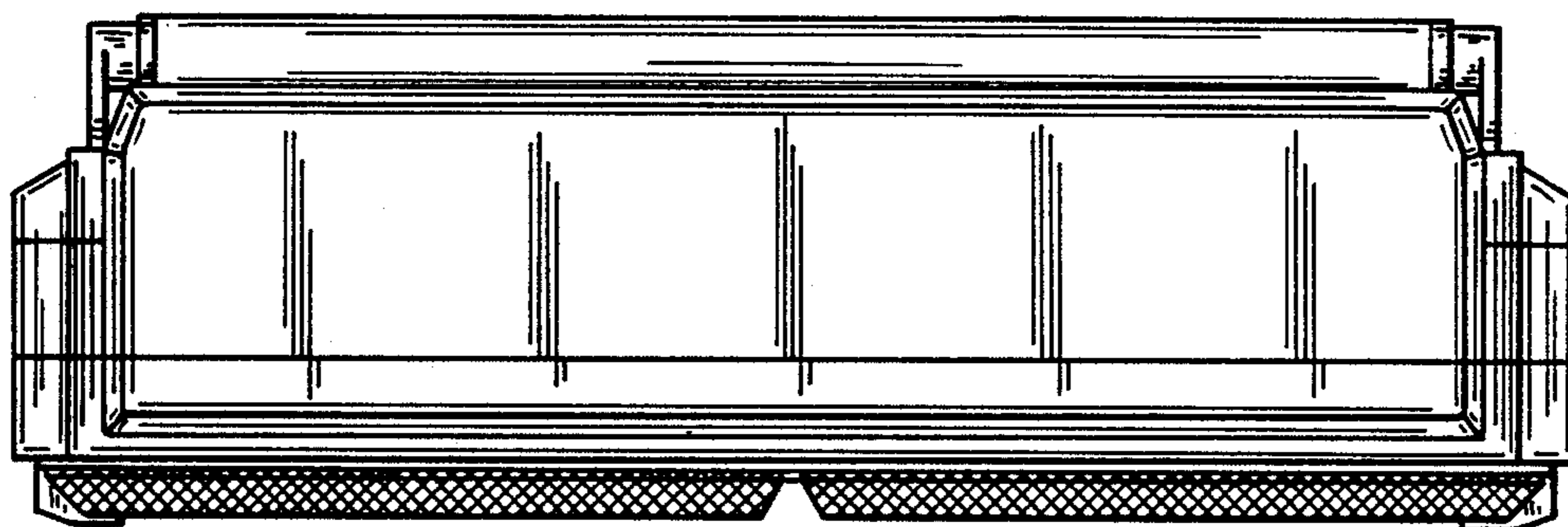
FIG_4



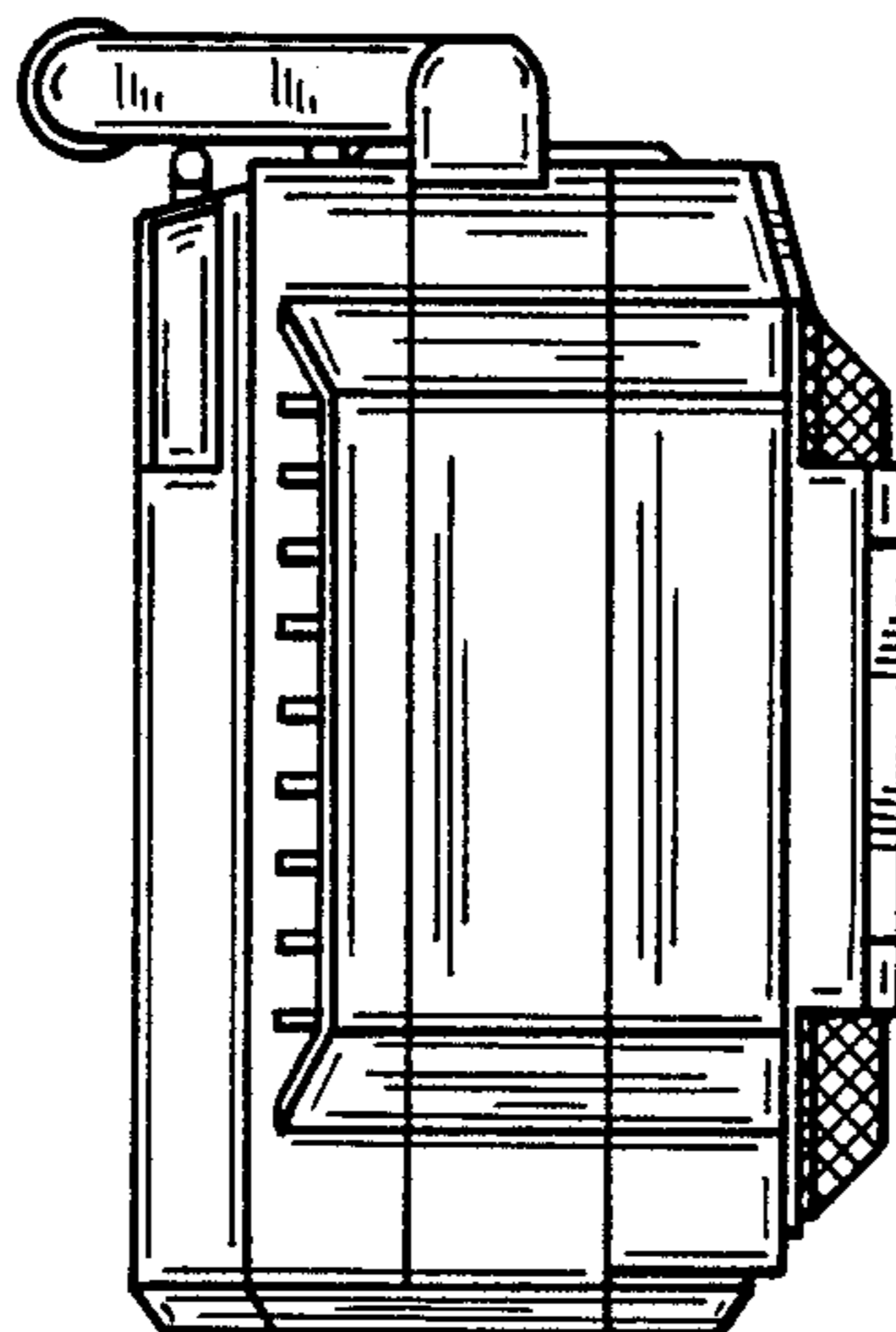
FIG_6



FIG_3



FIG_5



FIG_7