

[54] TELEPHONE BASE  
[75] Inventor: James M. Sharp, Jr., Corinth, Miss.  
[73] Assignee: Alcatel Business Systems, Inc.,  
Corinth, Miss.  
[\*\*] Term: 14 Years  
[21] Appl. No.: 318,370  
[22] Filed: Mar. 3, 1989  
[52] U.S. Cl. .... D14/150; D14/151  
[58] Field of Search ..... D14/149, 150, 142, 140;  
379/446, 435, 436, 438

D. 298,830 12/1988 Brignole et al. .... D14/150

OTHER PUBLICATIONS

Courreges Telephone Catalog of 1985.  
*Primary Examiner*—Horace B. Fay, Jr.  
*Attorney, Agent, or Firm*—Peter C. Van Der Sluys

[57] CLAIM

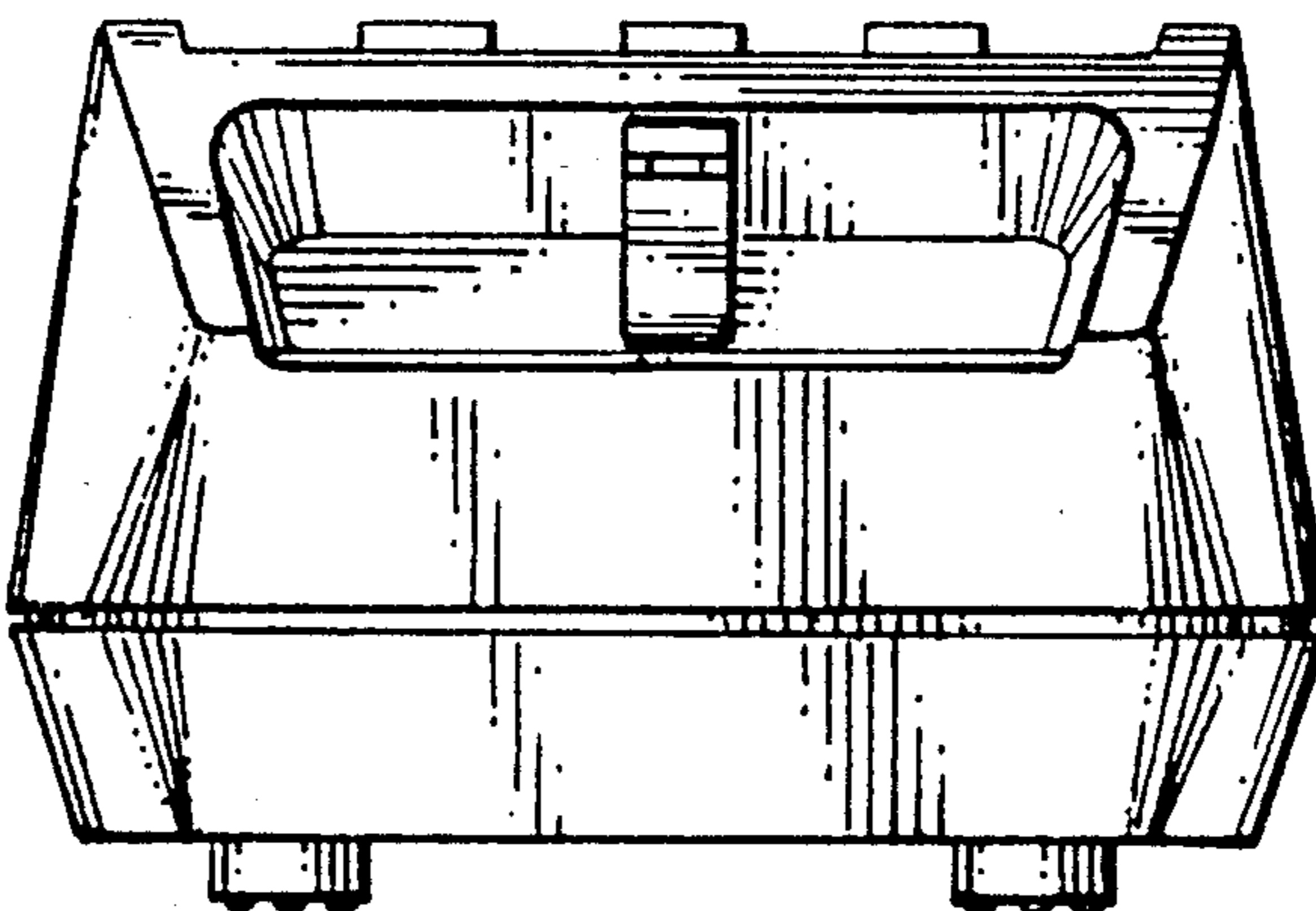
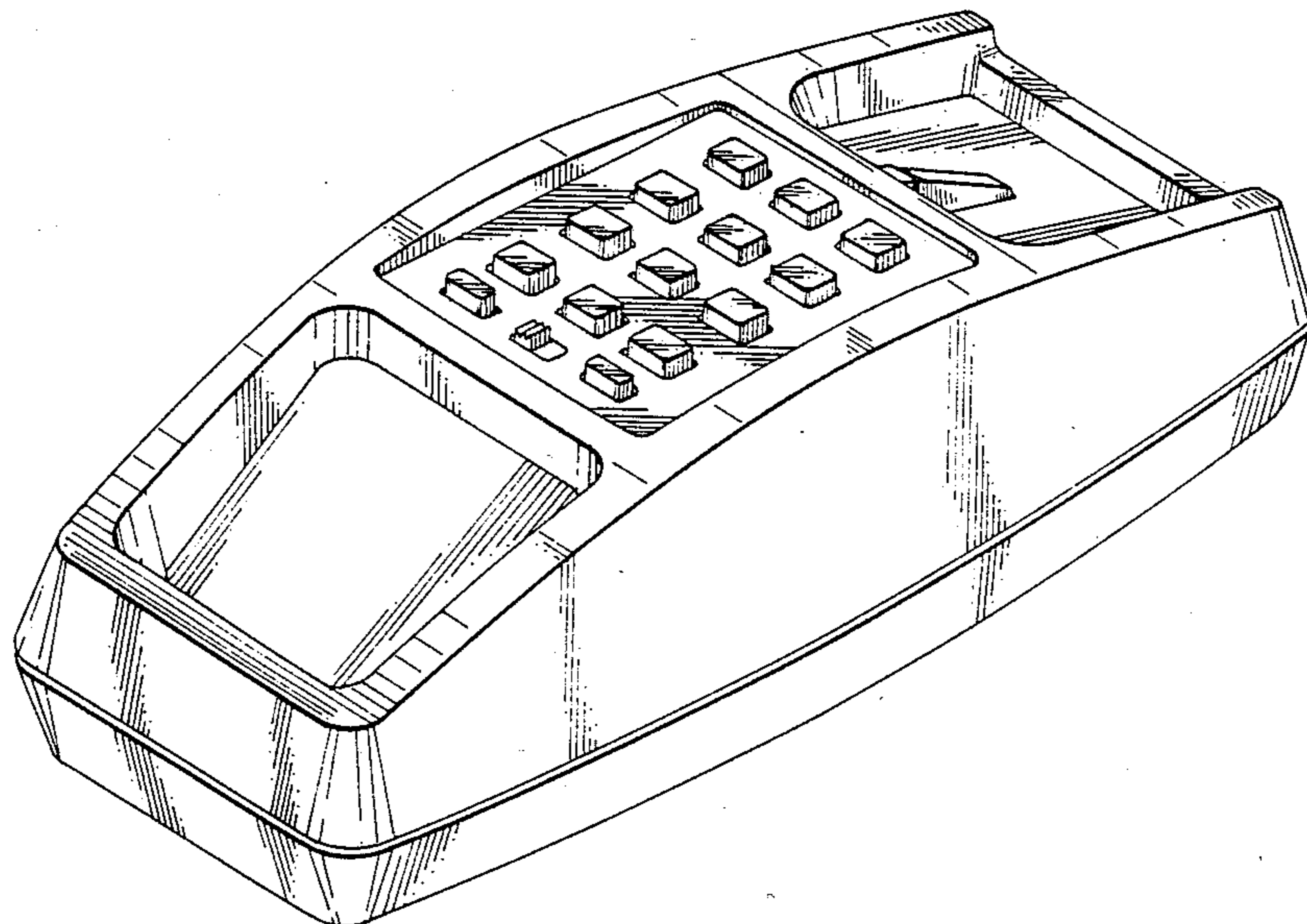
The ornamental design for a telephone base, as shown and described.

DESCRIPTION

FIG. 1 is a front, top and right side perspective view of a telephone base showing my new design;  
FIG. 2 is a right side elevational view thereof, the side opposite being a mirror image thereof;  
FIG. 3 is a top plan view thereof;  
FIG. 4 is a right side elevational view thereof with an upper portion broken away for clarity of illustration;  
FIGS. 5 and 6 are respectively front and rear elevational views thereof; and the bottom of the base being plain and unadorned.  
The broken line showing of a handset in FIG. 2 is for illustrative purposes only and forms no part of the claimed design.

[56] References Cited  
U.S. PATENT DOCUMENTS

D. 263,046	2/1982	Genaro et al. ....	D14/149
D. 275,483	9/1984	Genaro et al. ....	D14/149
D. 275,853	10/1984	Marshall .....	D14/149
D. 278,534	4/1985	Aldrich et al. ....	D14/149
D. 280,098	8/1985	McGarvey et al. ....	D14/149
D. 287,362	12/1986	Rittenhouse et al. ....	D14/148
D. 289,394	4/1987	Brown .....	D14/149
D. 290,955	7/1987	Rittenhouse et al. ....	D14/150
D. 298,827	12/1988	Miozzo .....	D14/149
D. 298,828	12/1988	Miozzo .....	D14/149



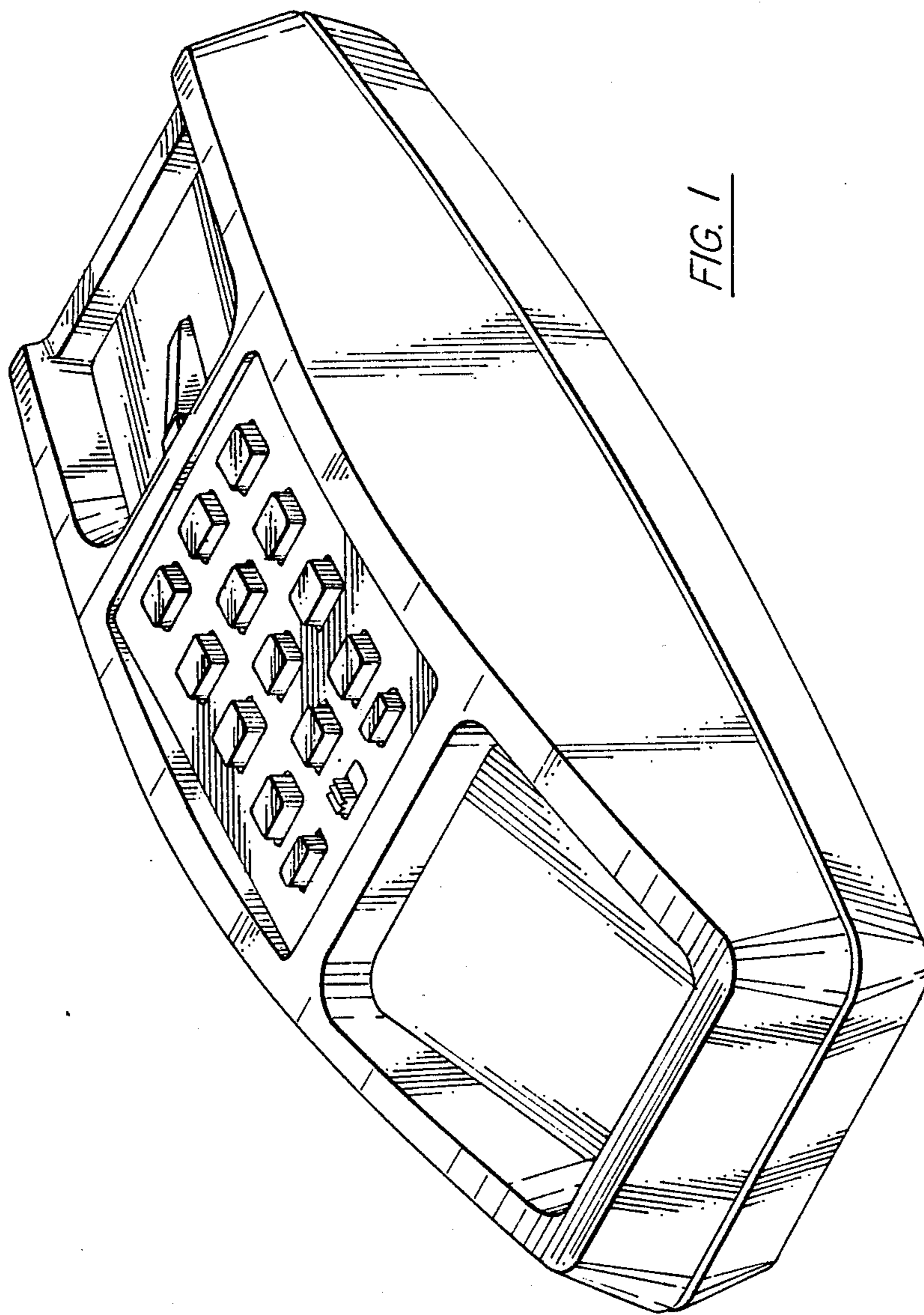


FIG. 1

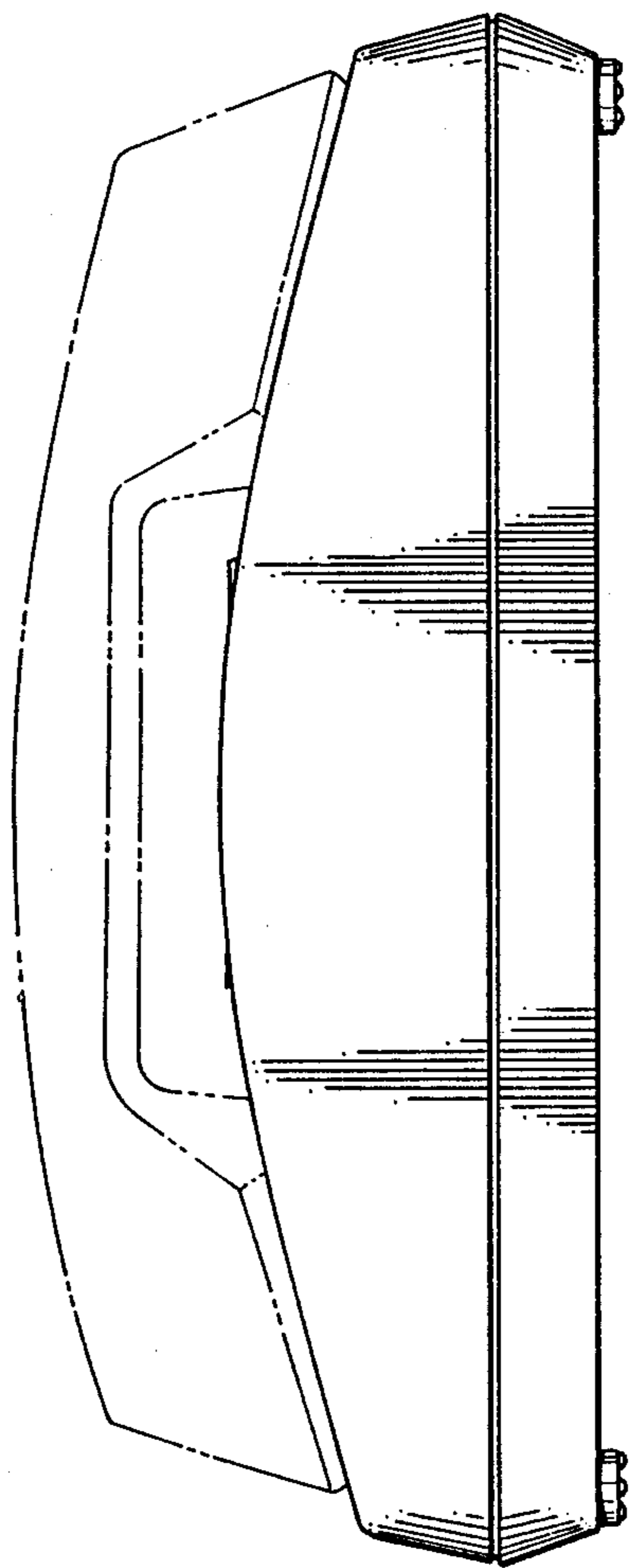


FIG. 2

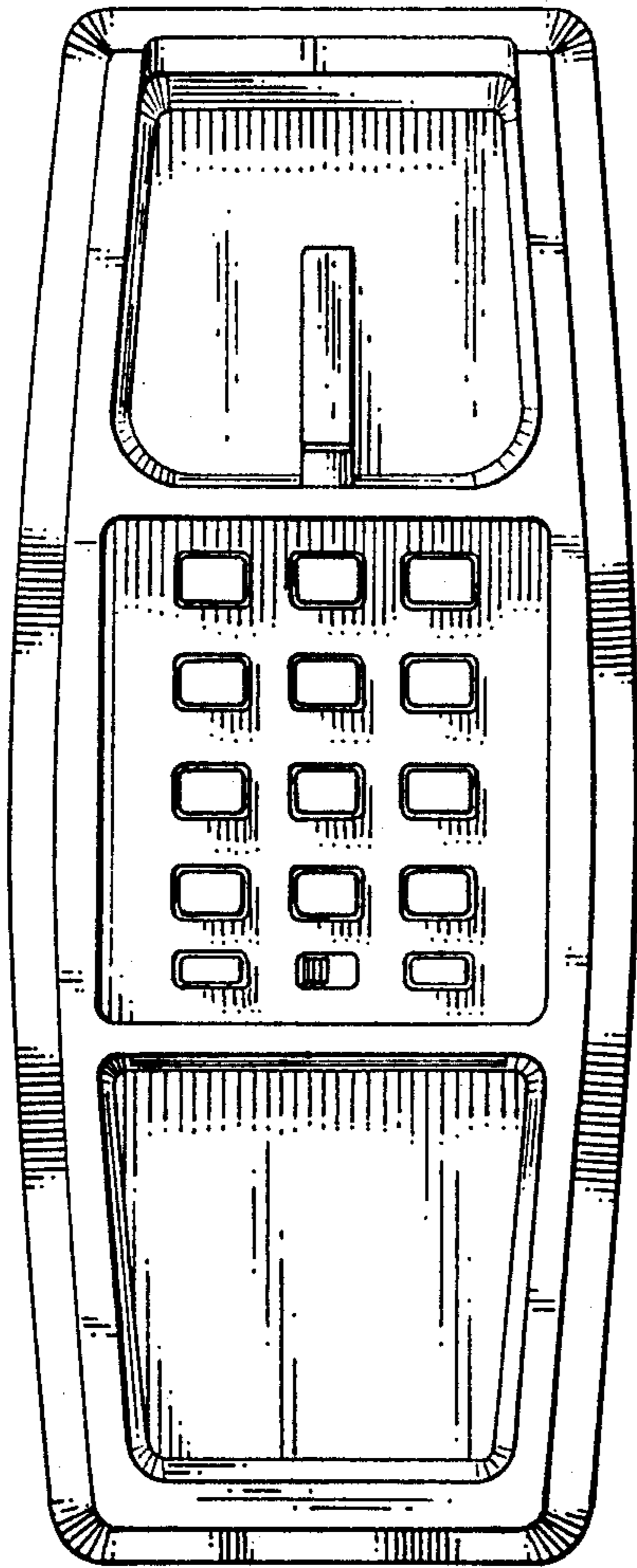


FIG. 3

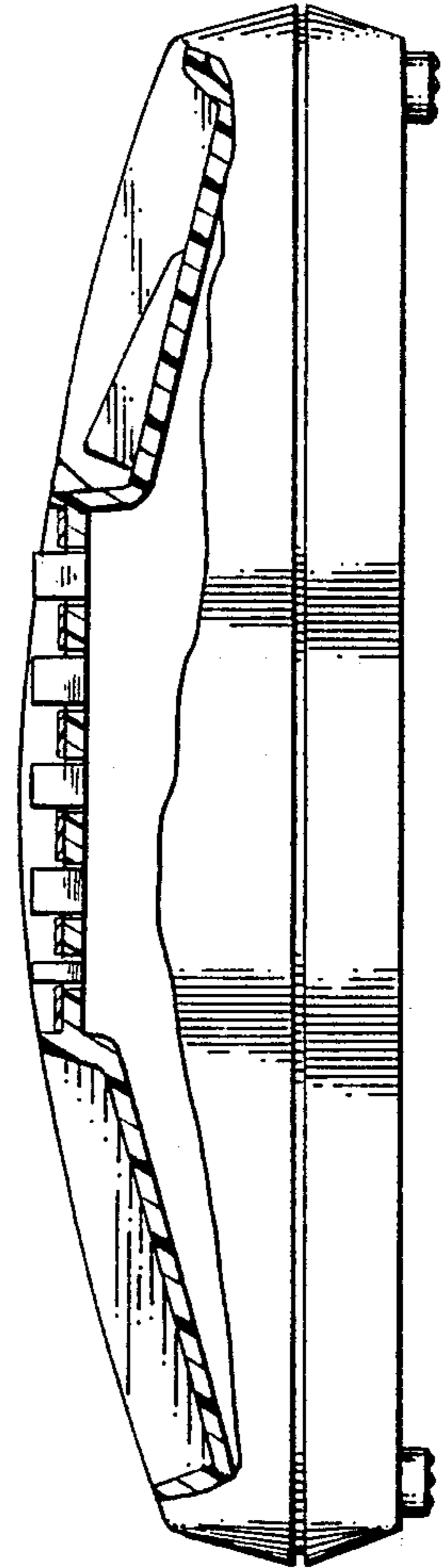


FIG. 4

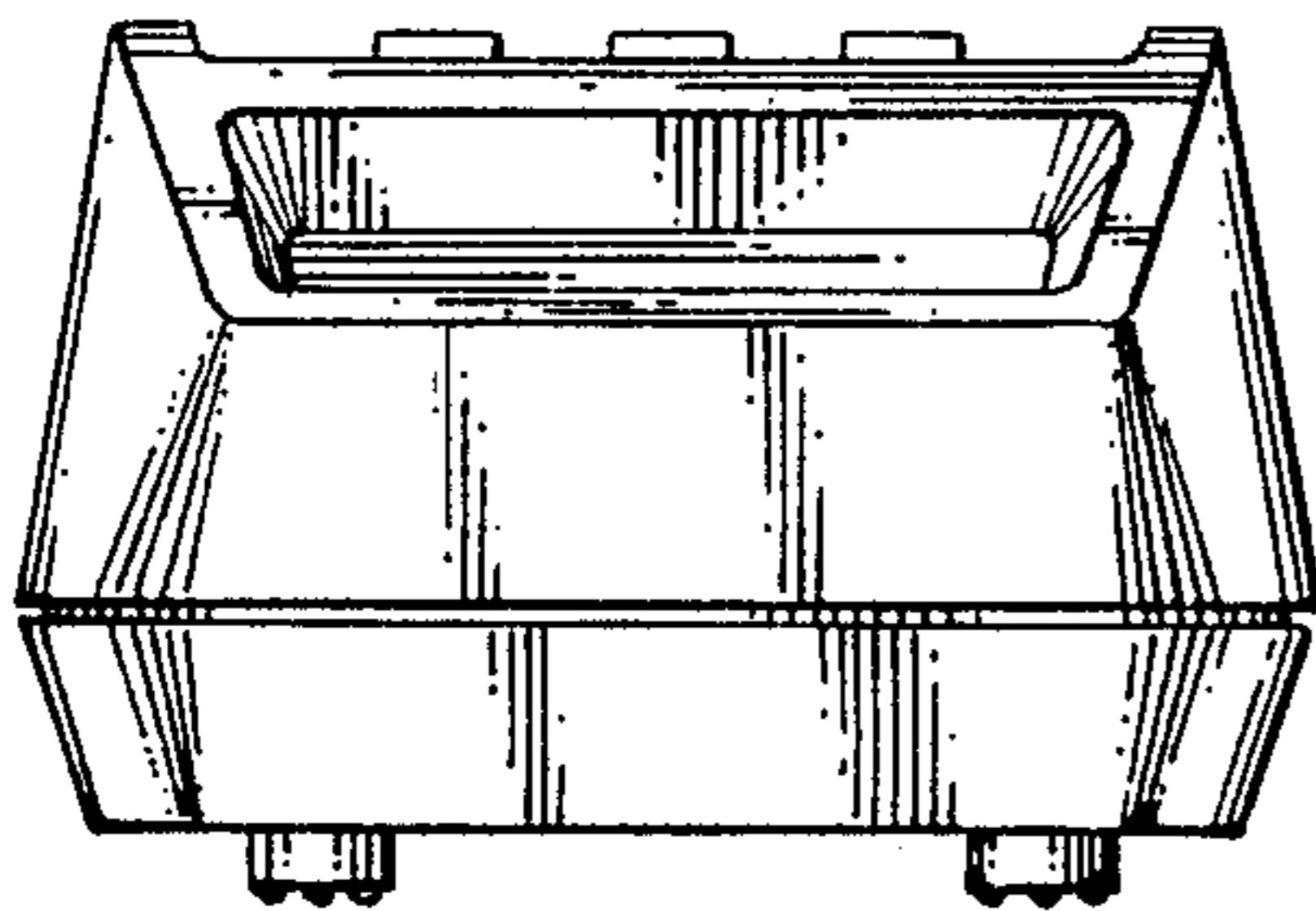


FIG. 5

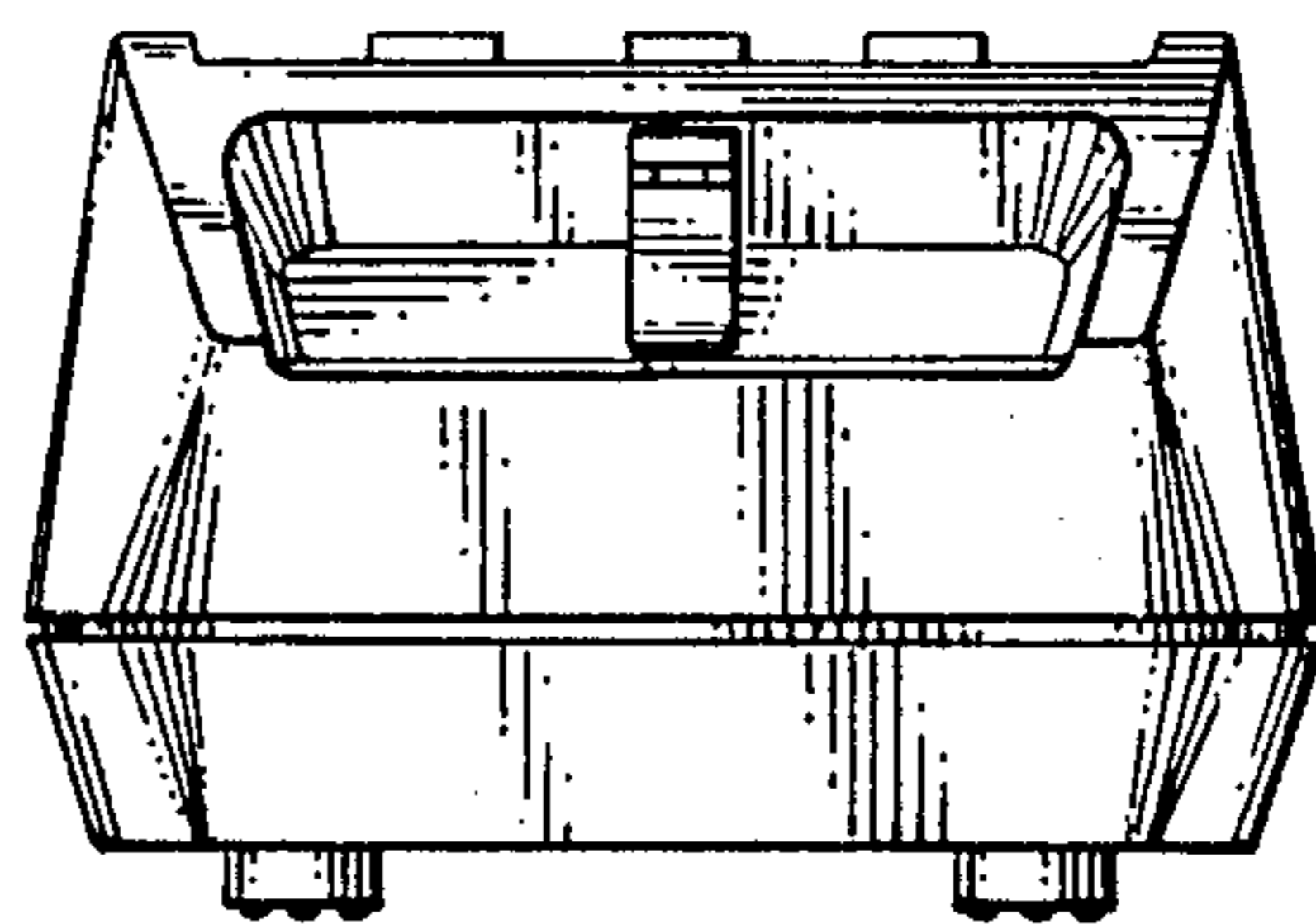


FIG. 6