

[54] CUSTOMER DISPLAY OR SIMILAR ARTICLE

D. 291,093 7/1987 Wang ..... D14/113 X  
4,684,089 8/1987 van der Lely ..... D14/100 X

[75] Inventors: Shuzo Kato; Yasushi Nakamura, both of Hiratsuka; Junnosuke Takeda, Ninomiya, all of Japan

[73] Assignee: NCR Corporation, Dayton, Ohio

[\*\*] Term: 14 Years

[21] Appl. No.: 101,343

[22] Filed: Sep. 25, 1987

[30] Foreign Application Priority Data

Mar. 30, 1987 [JP] Japan ..... 62-11683

[52] U.S. Cl. .... D14/113; D18/4

[58] Field of Search ..... D14/100, 102, 105, 106, D14/107, 113, 114, 115; 340/700, 706, 711, 712; 341/22, 23; 358/248, 249, 254; 312/7.2, 208; 248/122, 125, 127, 133, 149, 161, 178, 179, 183, 346, 349, 371; D18/3, 4

[56] References Cited

U.S. PATENT DOCUMENTS

- D. 247,640 3/1978 Di Benedetto ..... D18/3
- D. 247,641 3/1978 Clary et al. .... D18/3
- D. 249,527 9/1978 Stralka ..... D14/113 X
- D. 266,762 11/1982 Gibson ..... D14/113 X
- D. 274,728 7/1984 Shibata ..... D14/113
- D. 285,573 9/1986 Lefeuvre ..... D18/4
- D. 286,788 11/1986 Koppens ..... D18/4
- D. 289,873 5/1987 Gemmell et al. .... D14/113

OTHER PUBLICATIONS

Design 440, Aug. 1985, p. 43, Point of Sale Terminal. Creative Computing, May 1984, p. 14-Wang Display. Form 103 111-1983, p. 43-Display (bottom left). Video Review-Dec. 1985, p. 39-Sony Trinitron XBR Monitor/Receiver.

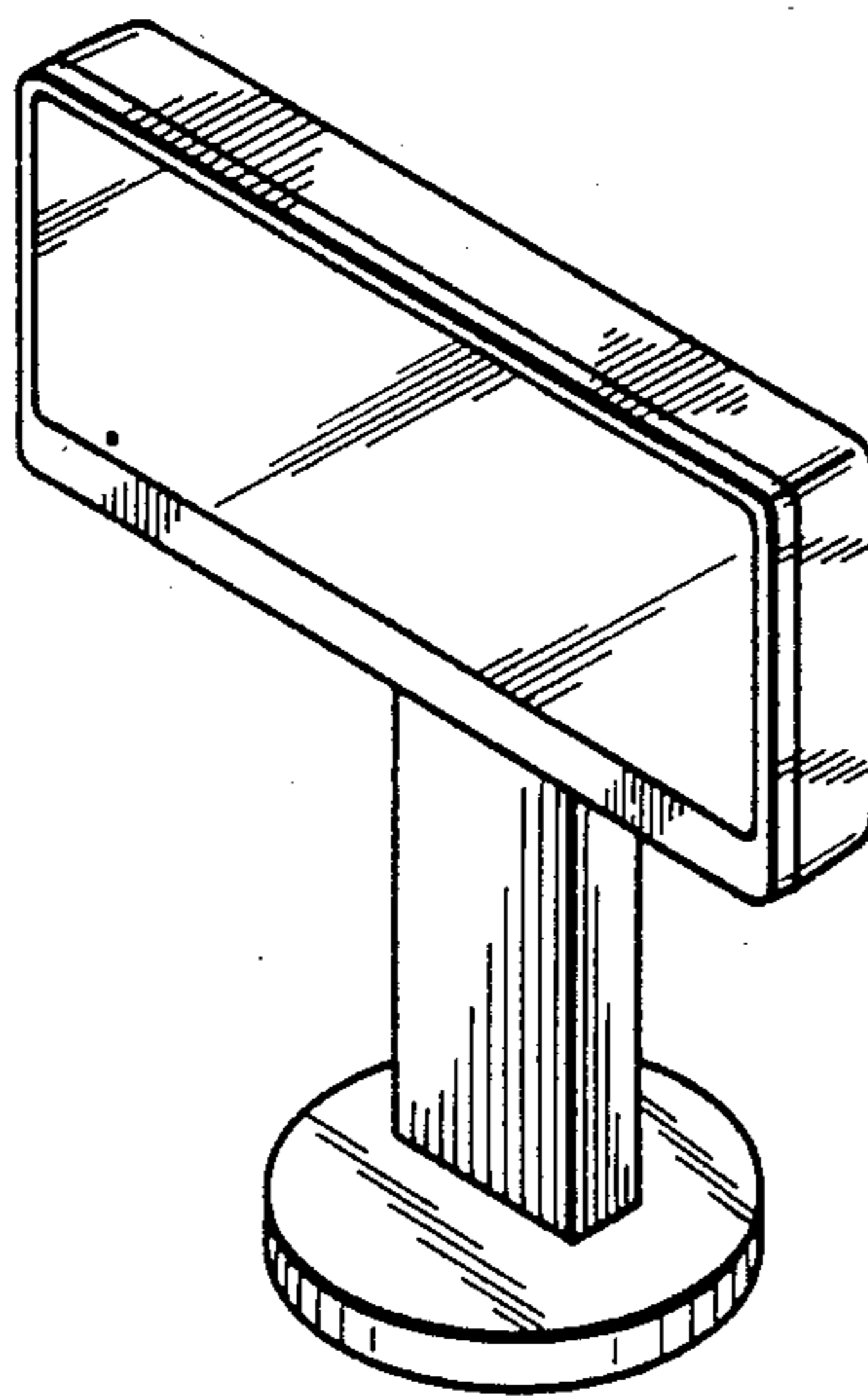
Primary Examiner—Susan J. Lucas  
Assistant Examiner—Freda S. Nunn  
Attorney, Agent, or Firm—Wilbert Hawk, Jr.; Albert L. Sessler, Jr.; George J. Muckenthaler

[57] CLAIM

The ornamental design for a customer display or similar article, as shown and described.

DESCRIPTION

FIG. 1 is a perspective view taken from the top, front and left side of a customer display or similar article showing our new design;  
FIG. 2 is a front elevational view thereof, on an enlarged scale;  
FIG. 3 is a rear elevational view thereof, on an enlarged scale;  
FIG. 4 is a right side elevational view thereof, on an enlarged scale;  
FIG. 5 is a left side elevational view thereof, on an enlarged scale; and  
FIG. 6 is a top plan view thereof, on an enlarged scale.



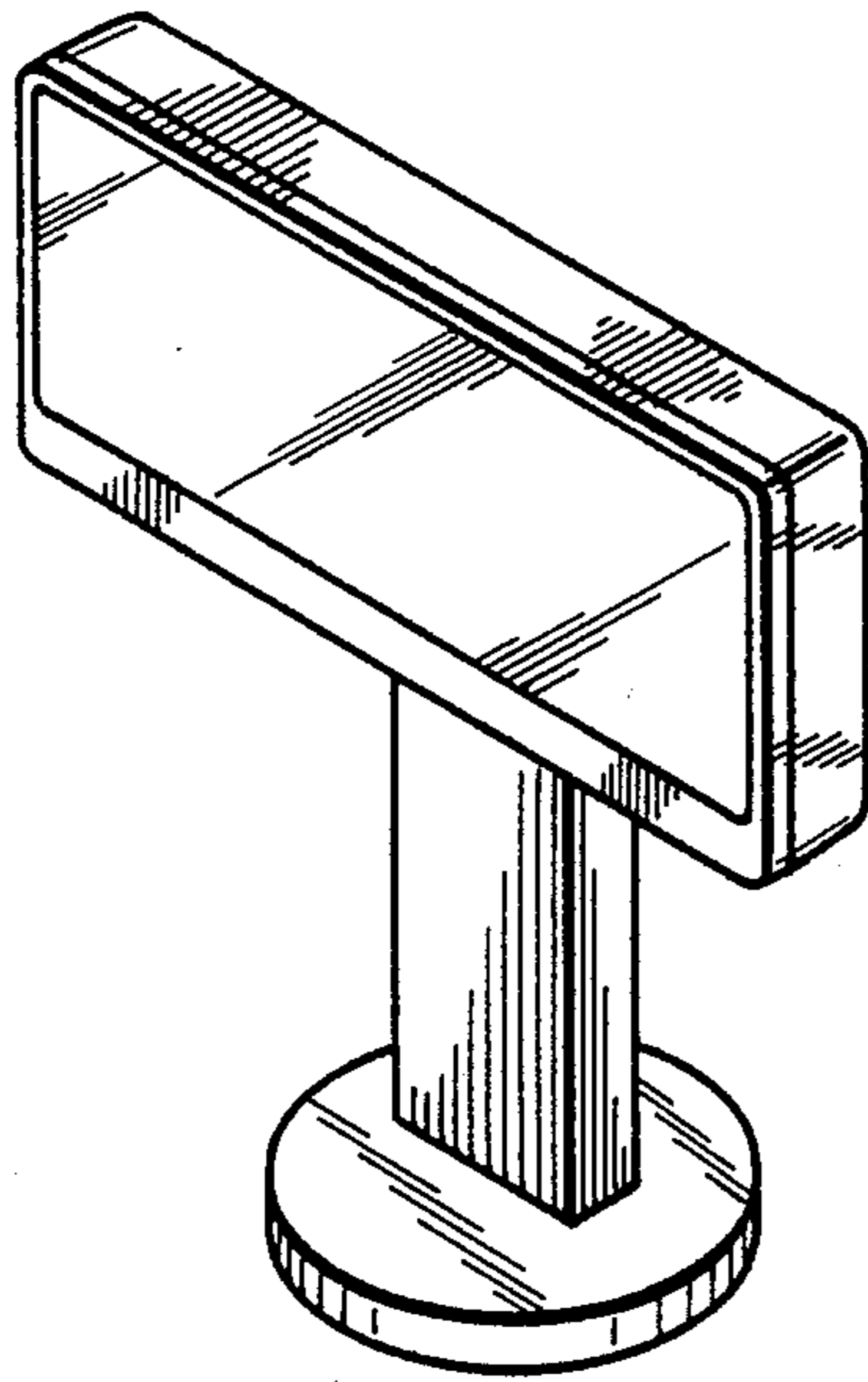


FIG. 1

FIG. 2

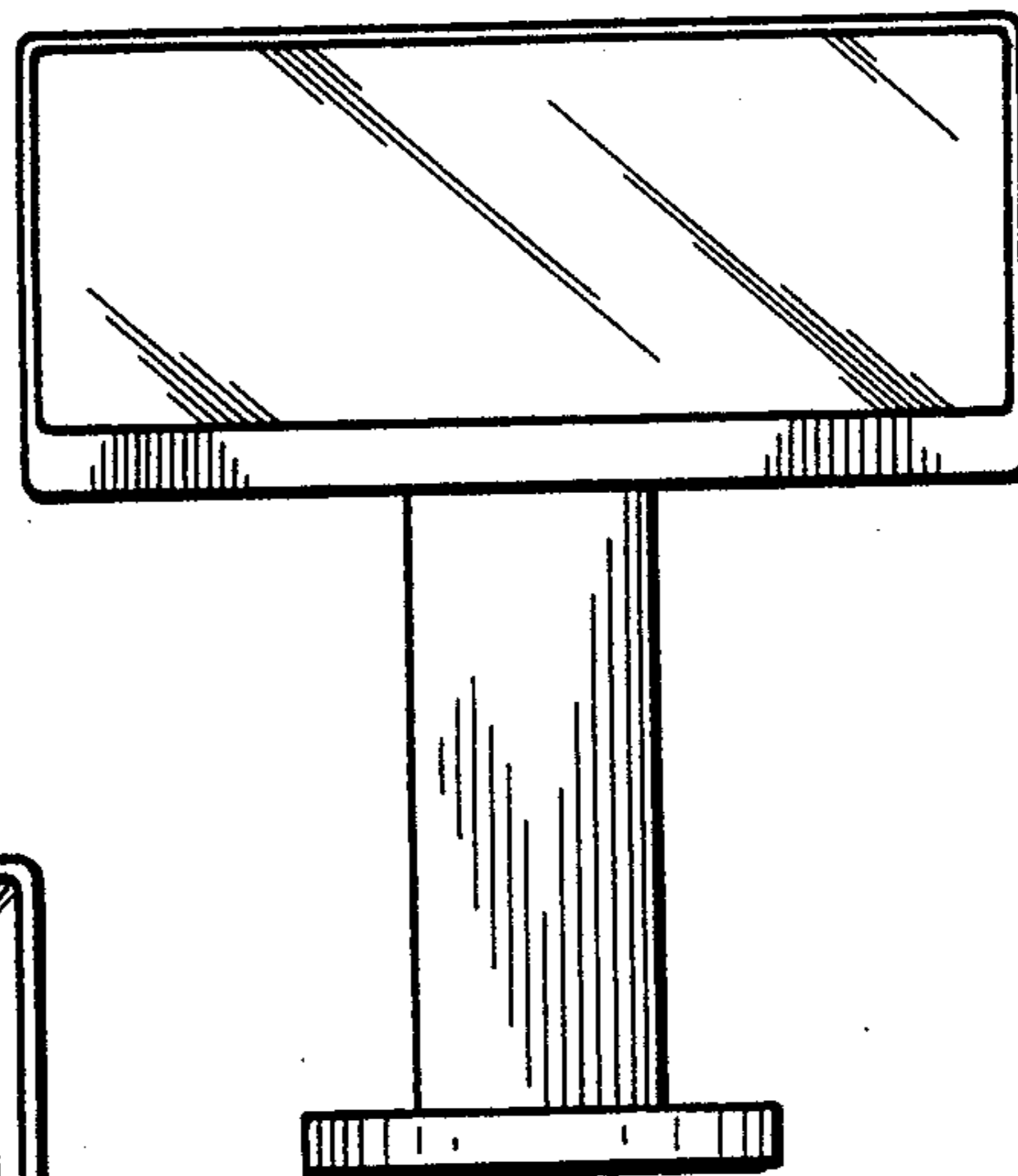


FIG. 3

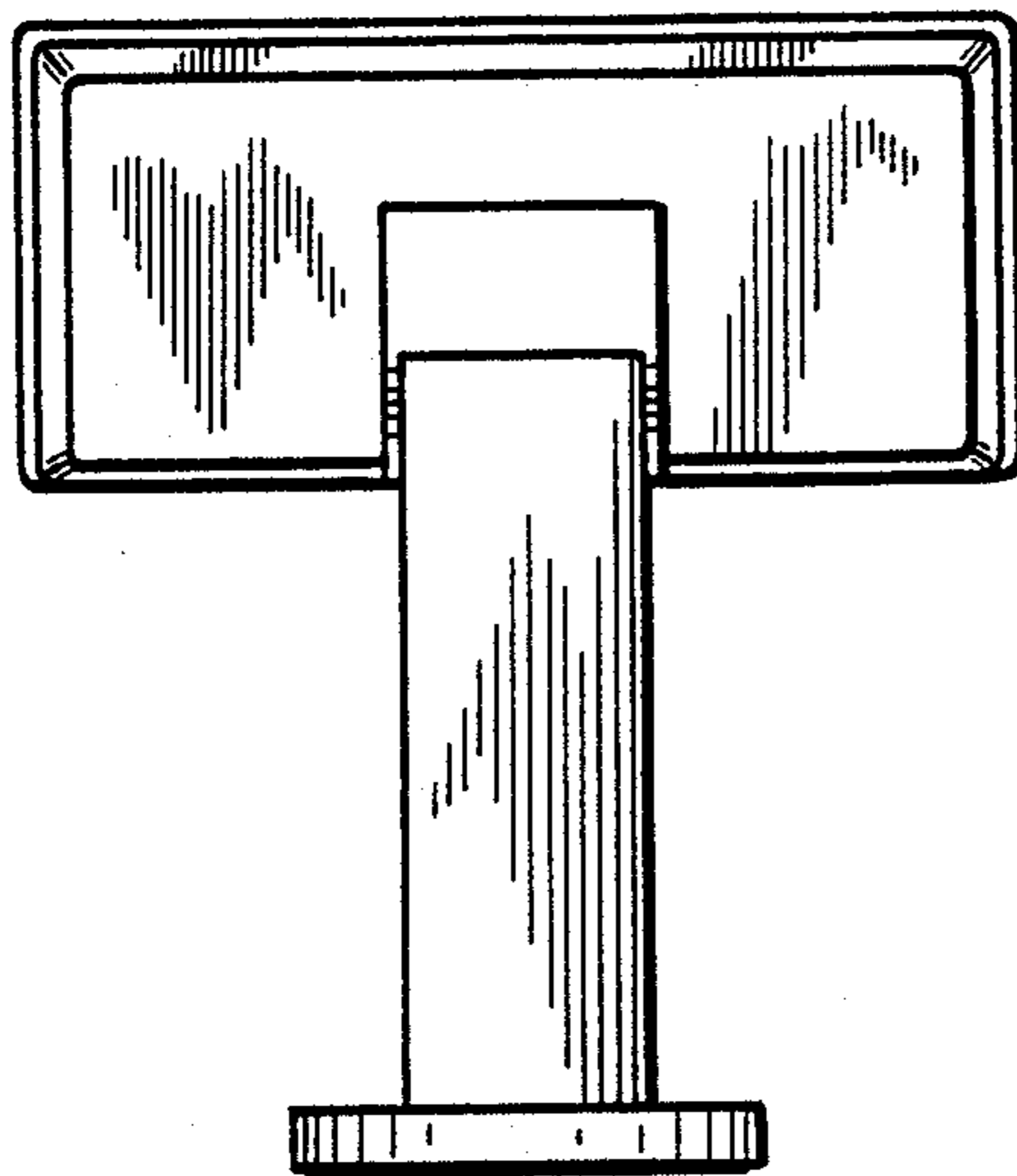


FIG. 4

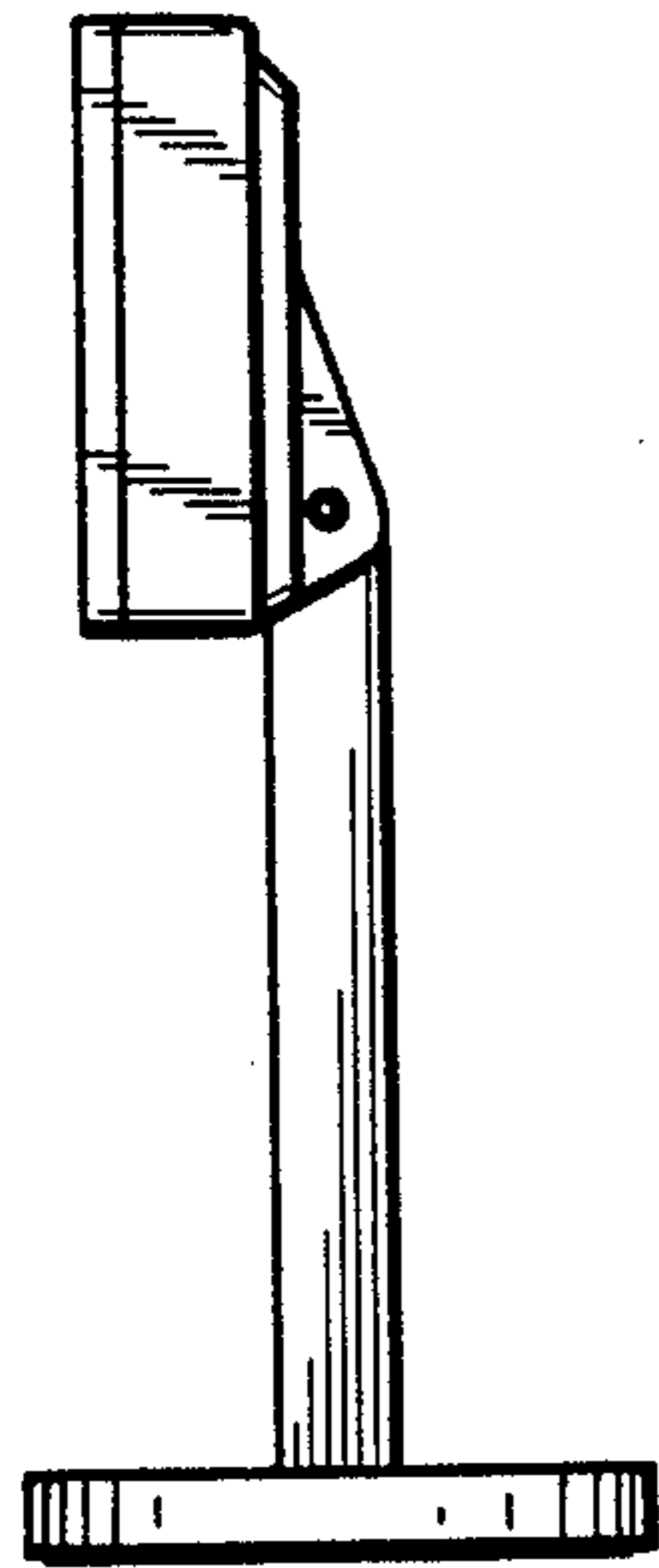


FIG. 5

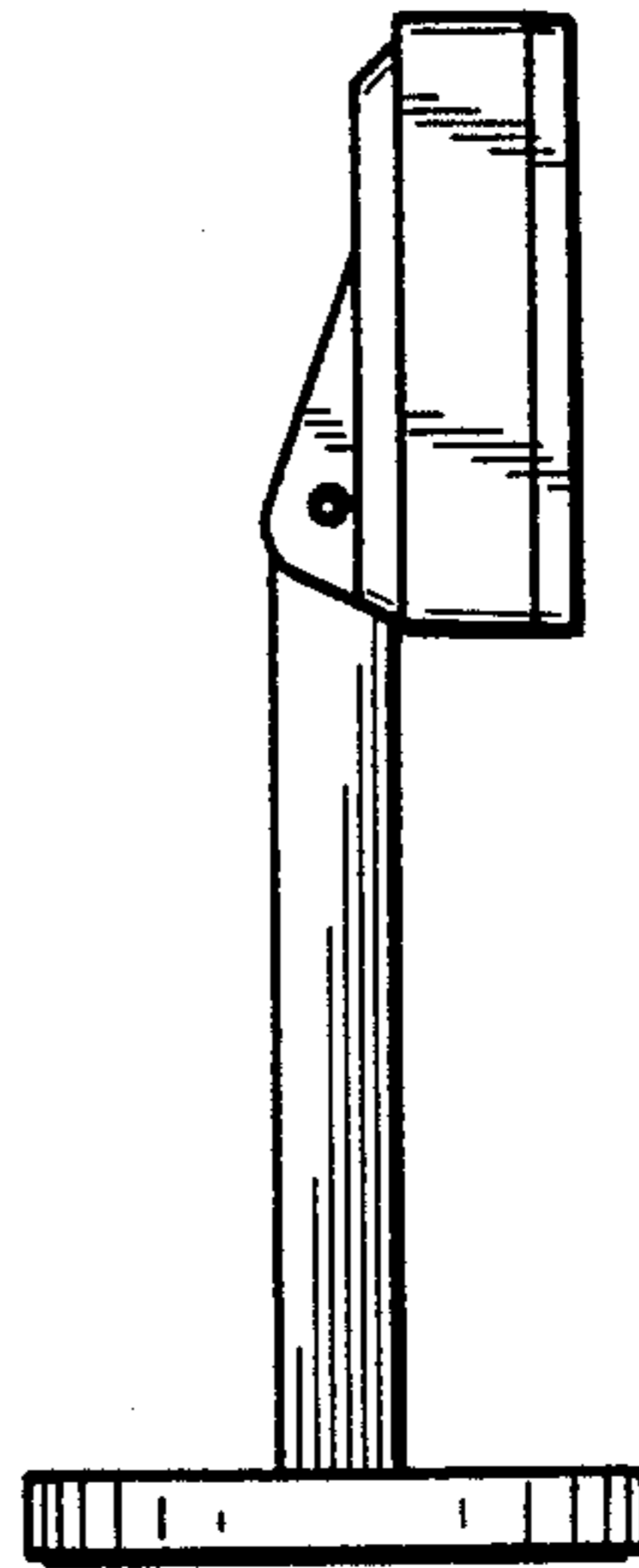


FIG. 6

