

[54] OPTICAL DISK DRIVE MODULE

[75] Inventors: Roberto Rivera; Angelo Labarbera, both of Rochester, N.Y.

[73] Assignee: Eastman Kodak Company, Rochester, N.Y.

[**] Term: 14 Years

[21] Appl. No.: 20,254

[22] Filed: Feb. 27, 1987

[52] U.S. Cl. D14/107; D14/102

[58] Field of Search D14/100-105, D14/107, 109; D13/40, 41; 360/97-99, 132, 133, 135, 137, 96.05, 96.06, 92, 93, 86; 361/330-332, 334, 335, 337, 338, 344, 348, 380, 381, 384, 408, 415, 390-395; 369/273, 277, 279, 291, 292, 75.1, 272; 346/41, 63; 174/50, 52.1; 206/309, 312, 444; 200/5 A, 5 R, 6 A, 6 R

[56] References Cited

U.S. PATENT DOCUMENTS

- D. 249,512 9/1978 Schneider et al. D14/102
- D. 250,187 11/1978 Zierhut D14/102

- D. 270,447 9/1983 Hara D14/107
- D. 280,509 9/1985 Marino et al. D14/102
- D. 289,521 4/1987 Macowski et al. D14/107 X

OTHER PUBLICATIONS

Uarco, 1984, p. 38-Item 9202-Locking Tambour Door Executive Data Cart-Computer Box.

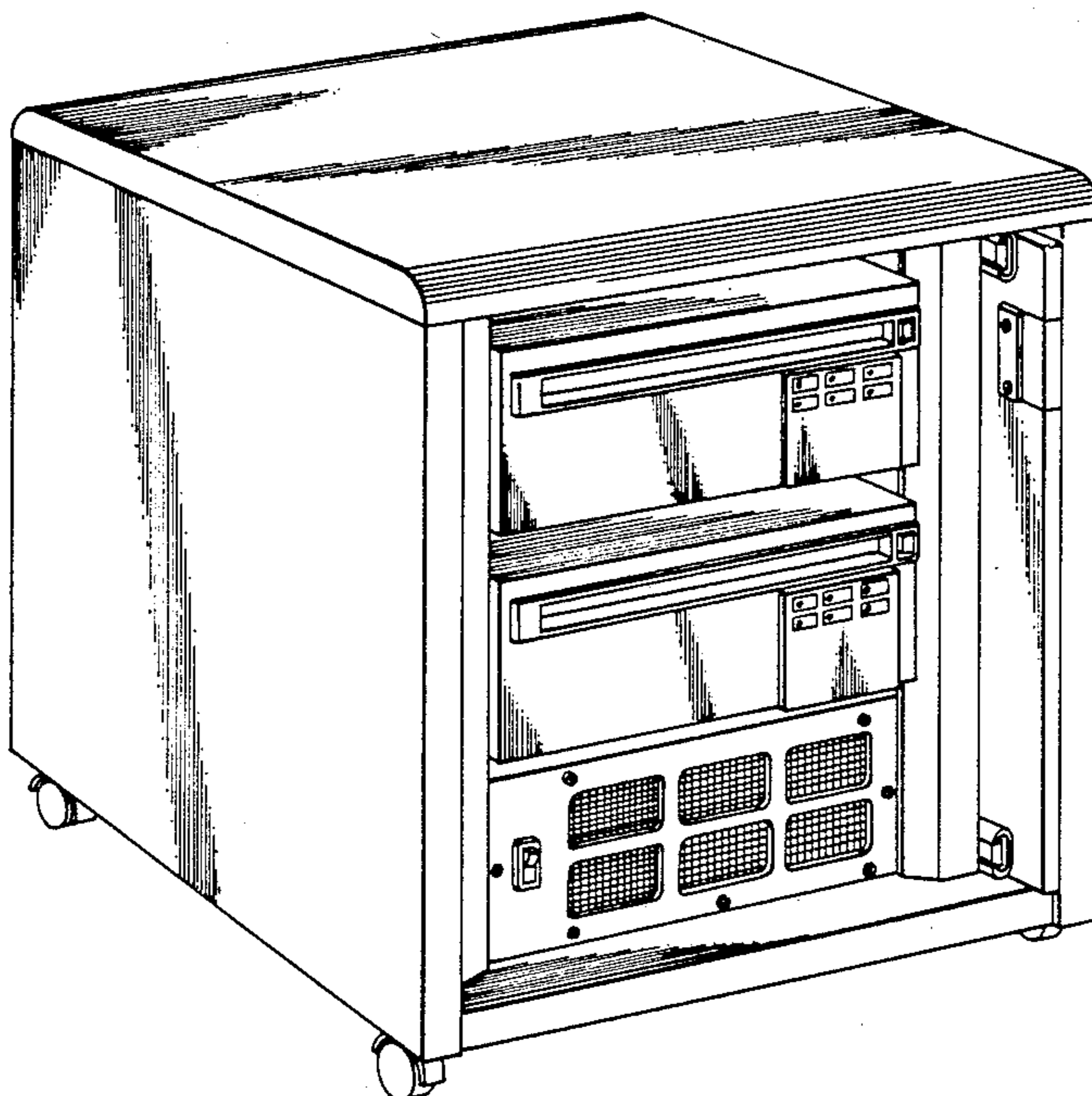
Primary Examiner—Susan J. Lucas
Assistant Examiner—Freda S. Nunn
Attorney, Agent, or Firm—Dennis R. Arndt

[57] CLAIM

The ornamental design for an optical disk drive module, as shown and described.

DESCRIPTION

FIG. 1 is a top and left front respective view of an optical disk drive module with the door in the open position, showing my new design; FIG. 2 is a top, right, front perspective view thereof, the door in the closed position; FIG. 3 is a rear, left side perspective view; and FIG. 4 is a front elevational view thereof on an enlarged scale, the door in the opened position.



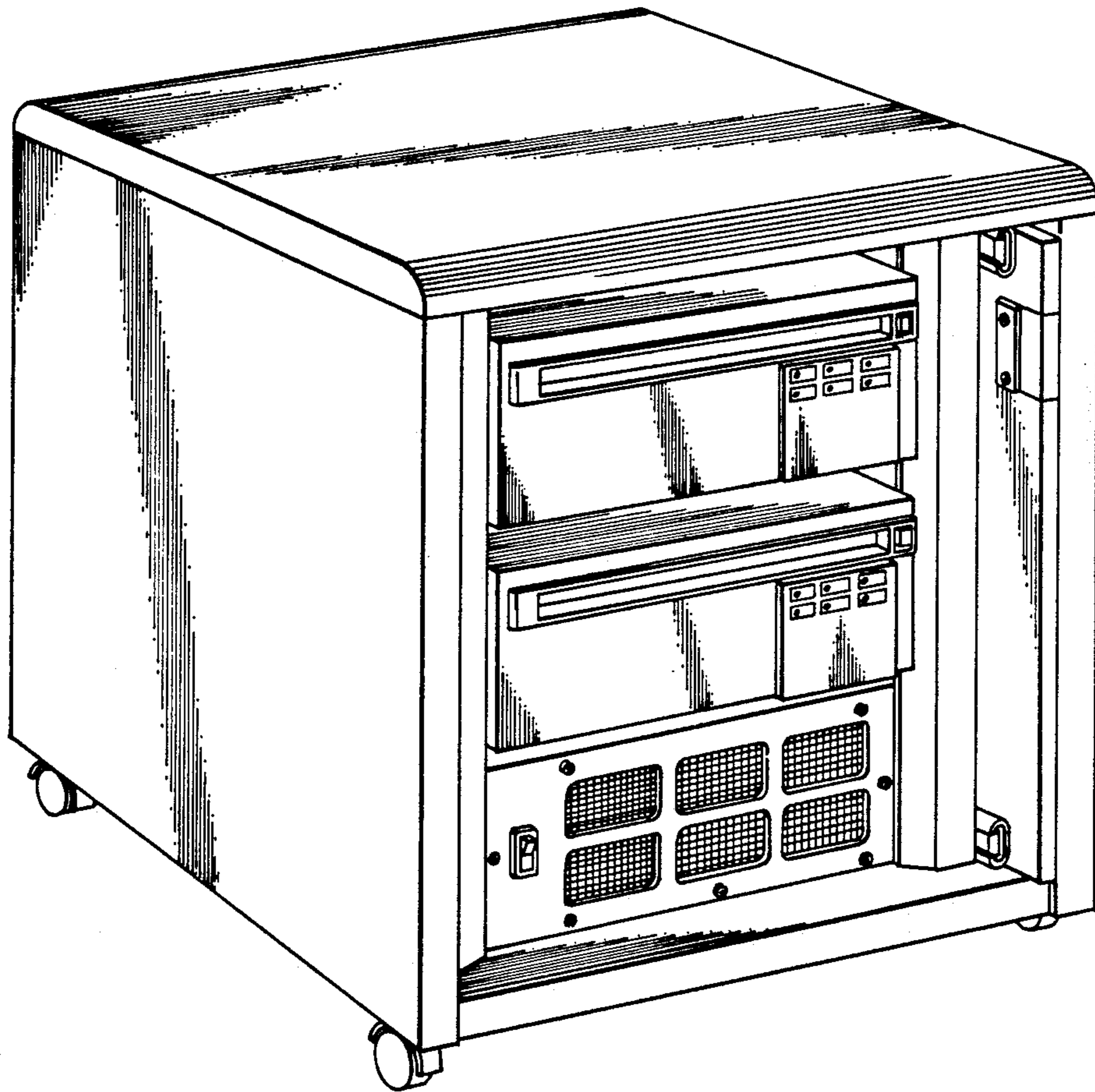


FIG. 1

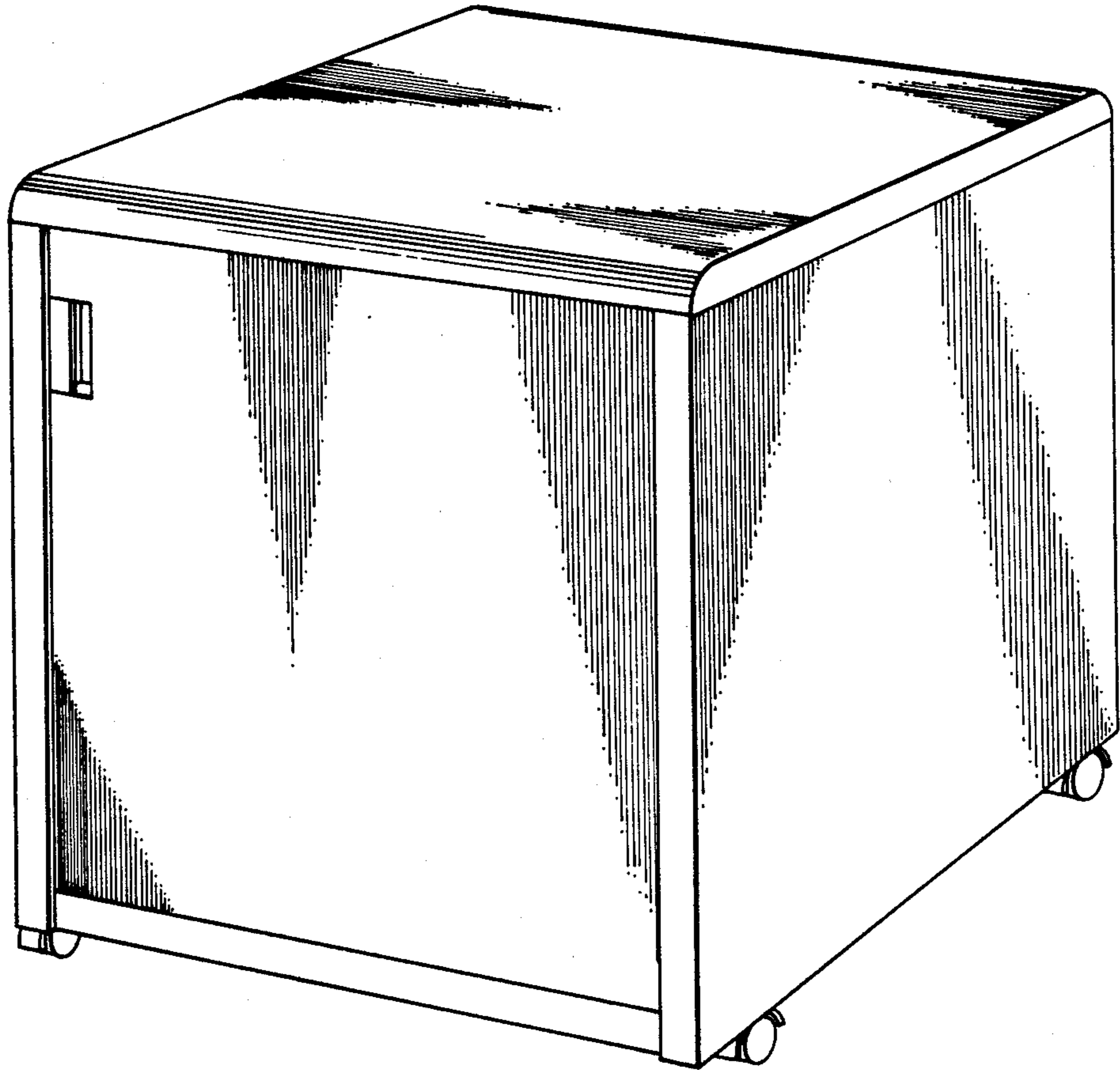


FIG. 2

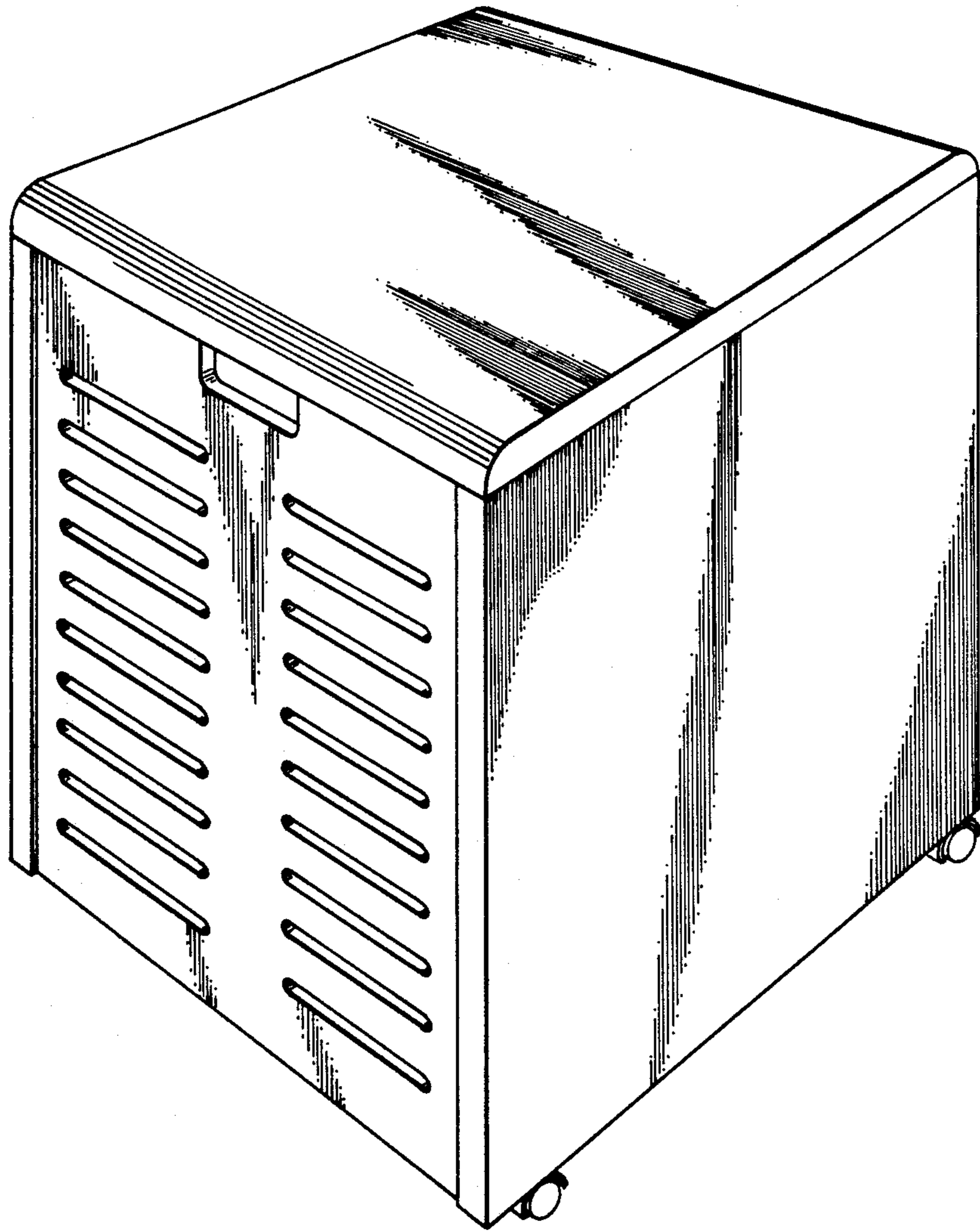


FIG. 3

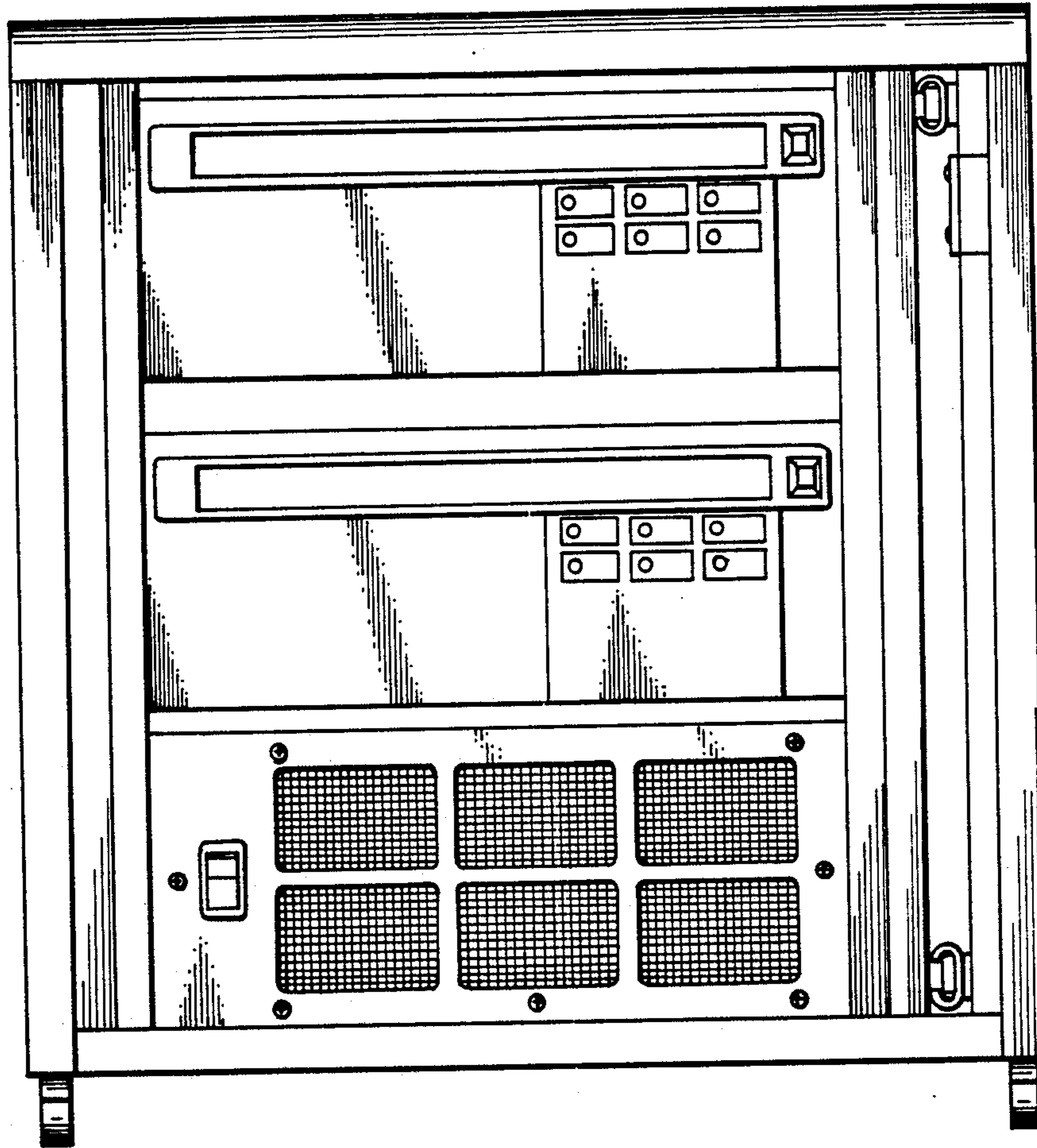


FIG. 4