

[54] LAMP SOCKET

[75] Inventor: Dieter Henrici, Arnsberg, Fed. Rep. of Germany

[73] Assignee: Brokelmann, Jaeger & Busse GmbH & Co., Arnsberg, Fed. Rep. of Germany

[\*\*] Term: 14 Years

[21] Appl. No.: 103,551

[22] Filed: Sep. 30, 1987

[52] U.S. Cl. .... D13/25; D13/24

[58] Field of Search ..... D26/1, 2, 3; 313/318; D13/24, 25; 439/226, 235, 239, 242, 232, 356

[56] References Cited

U.S. PATENT DOCUMENTS

D. 283,121	3/1986	Oesterheld et al. ....	D13/25
3,058,084	10/1962	Cutler .....	439/232
4,713,019	12/1987	Gaynor .....	439/232

FOREIGN PATENT DOCUMENTS

635104	2/1962	Italy .....	439/242
--------	--------	-------------	---------

Primary Examiner—Susan J. Lucas

Attorney, Agent, or Firm—Herbert Dubno; Ronald Lianides

[57] CLAIM

The ornamental design for a lamp socket, as shown and described.

DESCRIPTION

FIG. 1 is a front elevational view of the lamp socket showing my new design, the rear view being identical thereto;

FIG. 2 is an elevational view of one side of the socket, the other side being identical thereto;

FIG. 3 is a bottom plan view thereof;

FIG. 4 is a top plan view thereof;

FIG. 5 is a front elevational view of a second embodiment of my new design;

FIG. 6 is a left-side elevational view thereof;

FIG. 7 is a rear elevational view thereof;

FIG. 8 is a right-side elevational view thereof;

FIG. 9 is a bottom plan view thereof;

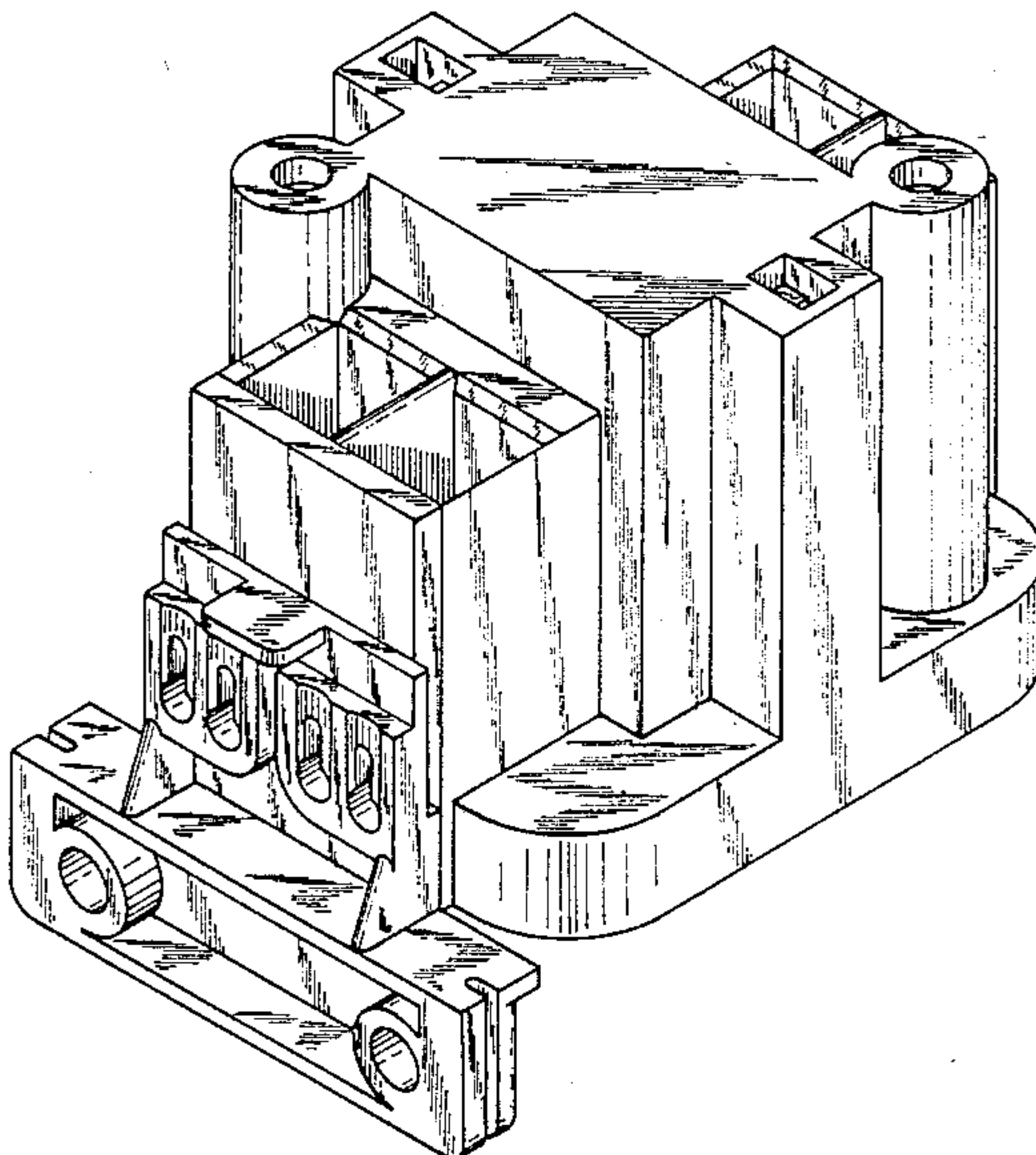
FIG. 10 is a top plan view thereof;

FIG. 11 is a front elevational view of a third embodiment of my new design;

FIG. 12 is an elevational view of one side thereof, the other side being identical thereto;

FIG. 13 is a top plan view thereof, the bottom view being identical to FIG. 3; and

FIG. 14 is a perspective view of the embodiment of FIG. 5 showing the top, front, and left side thereof.



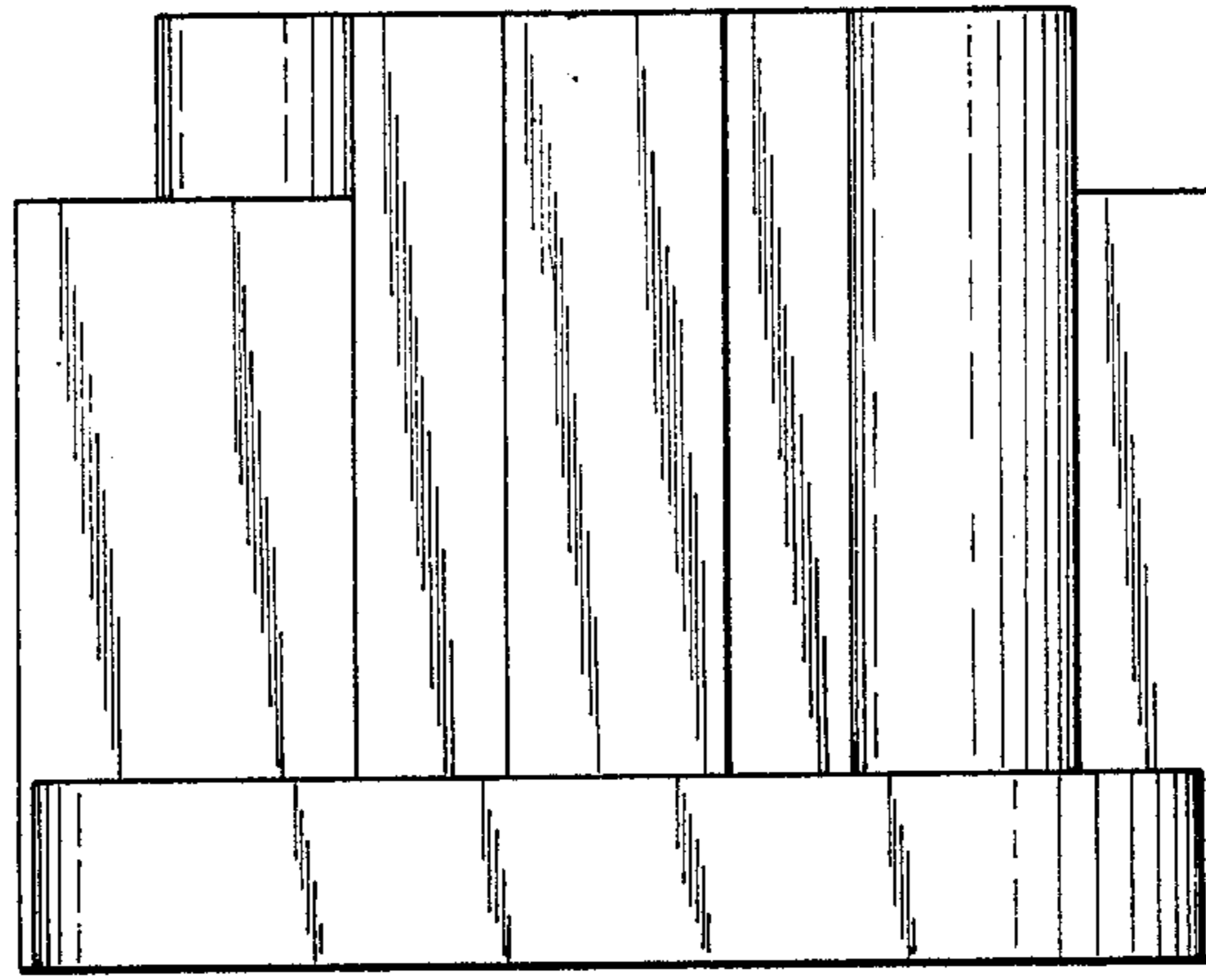


FIG. 1

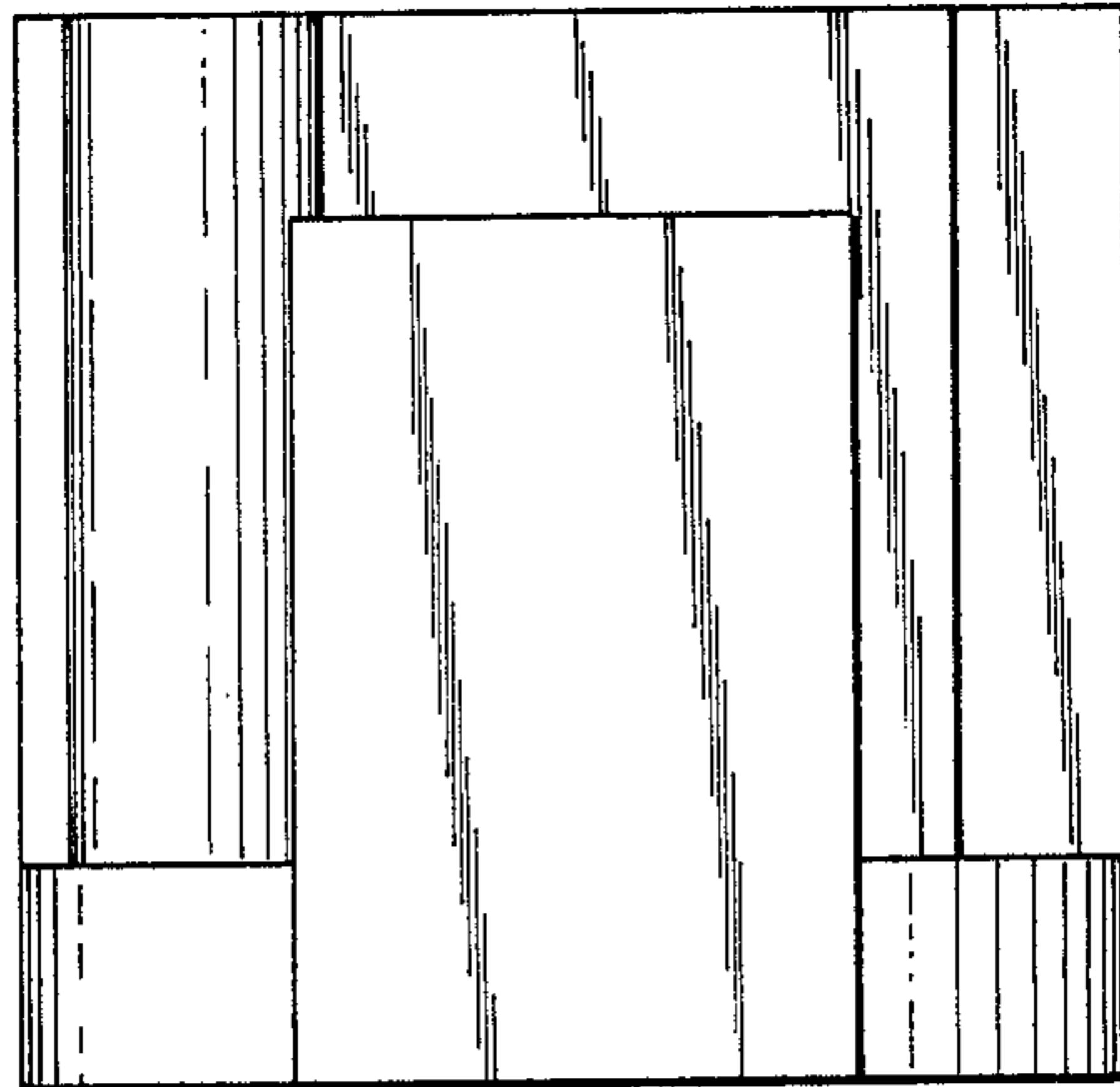


FIG. 2

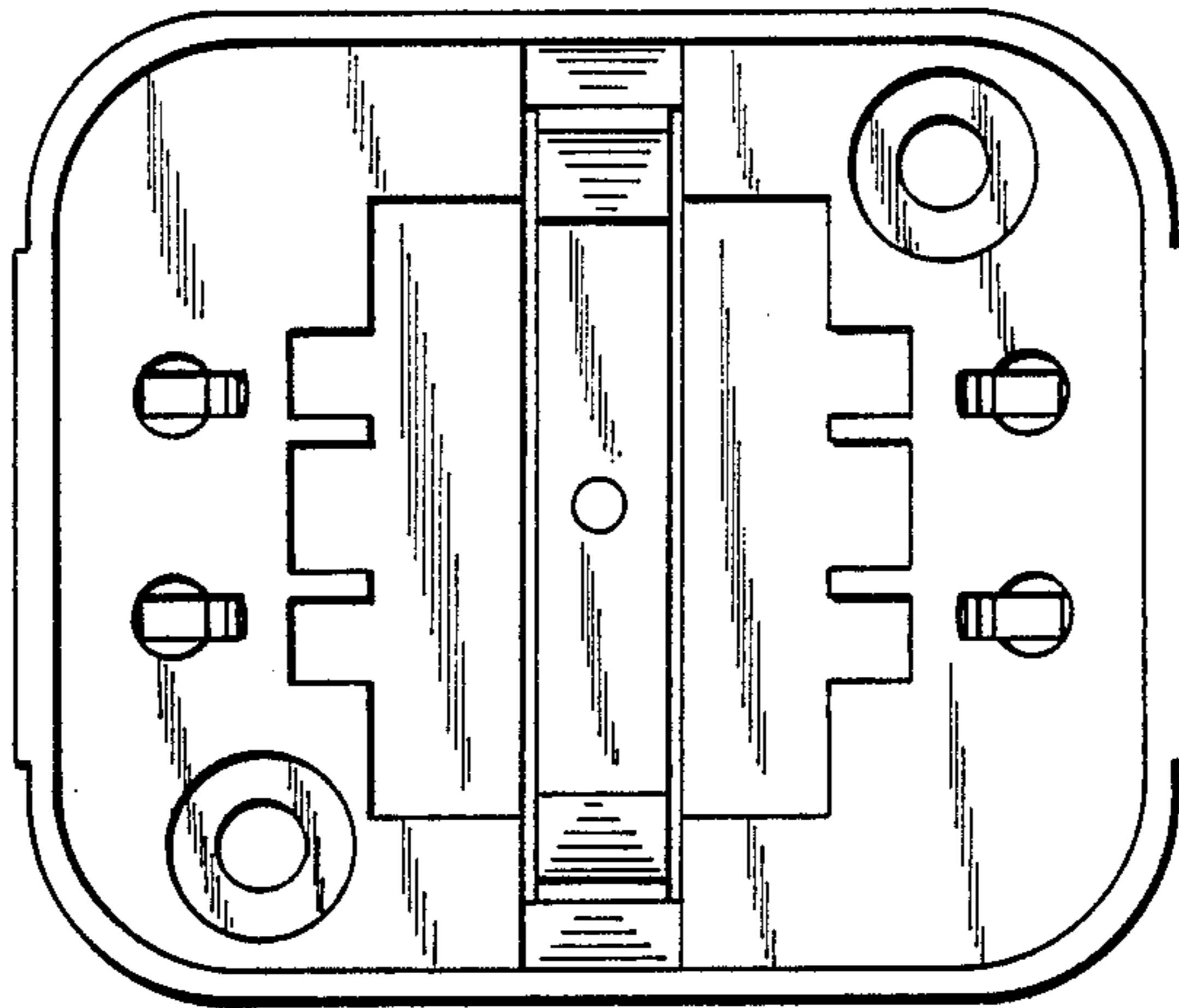


FIG. 3

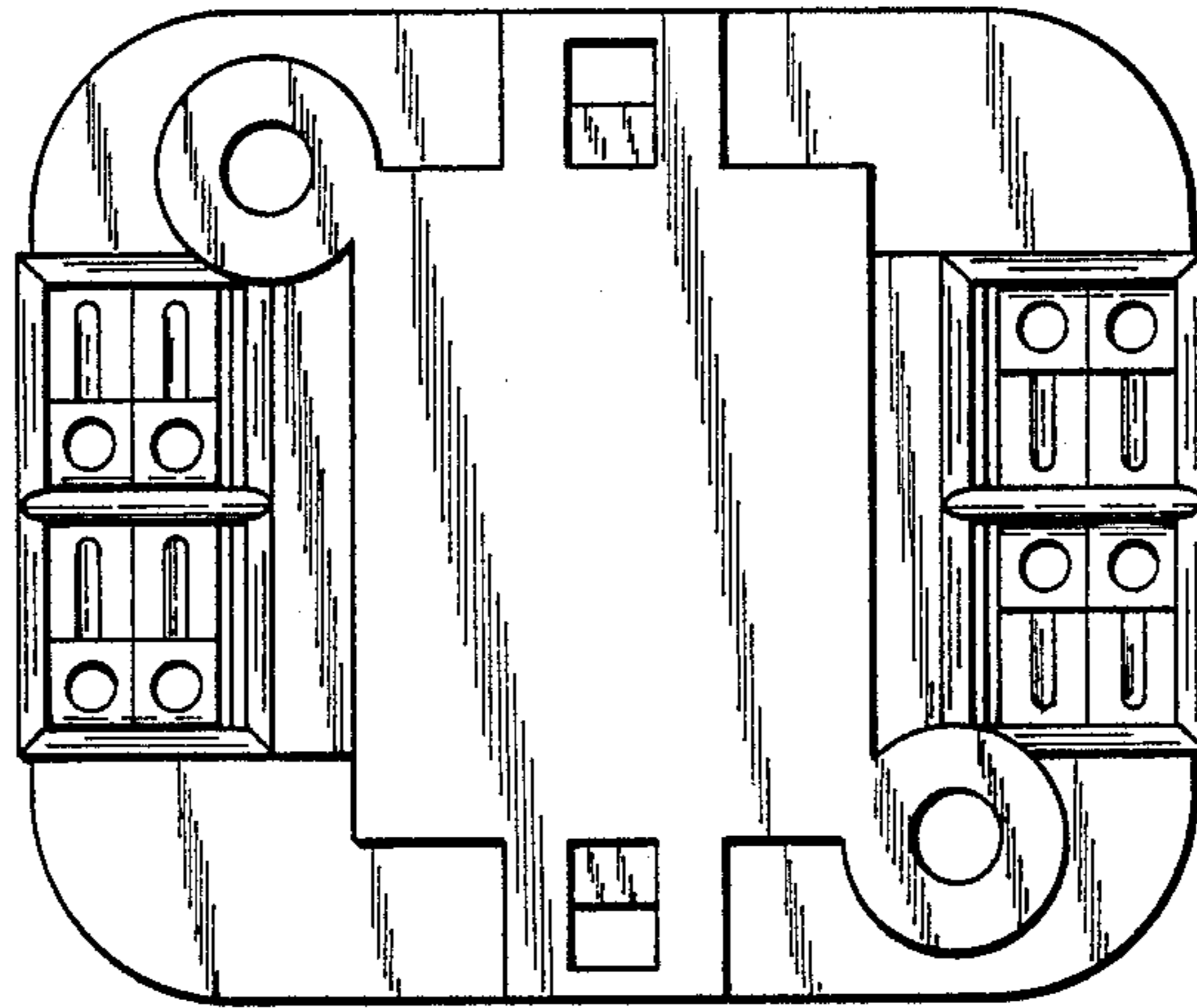


FIG. 4

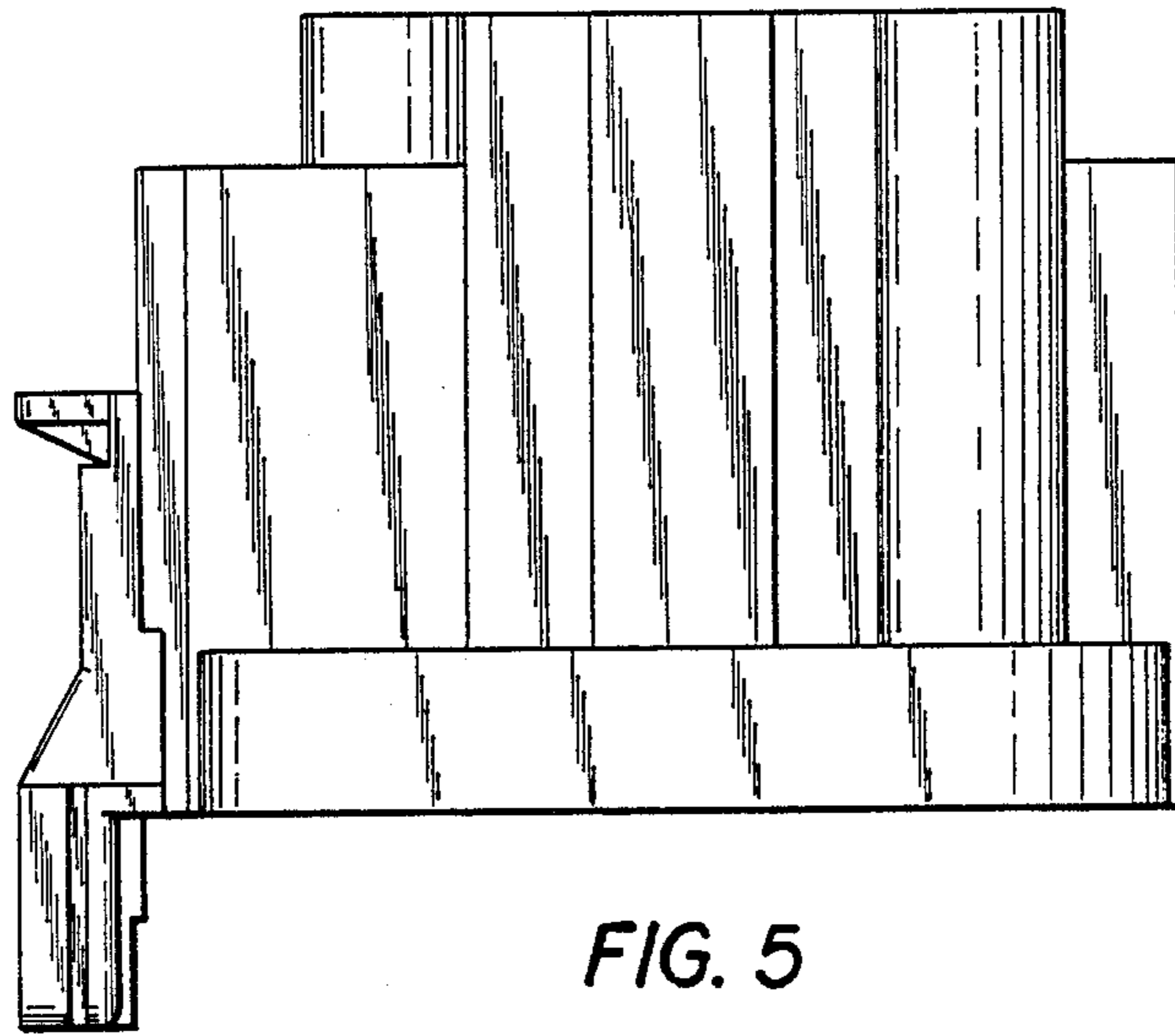


FIG. 5

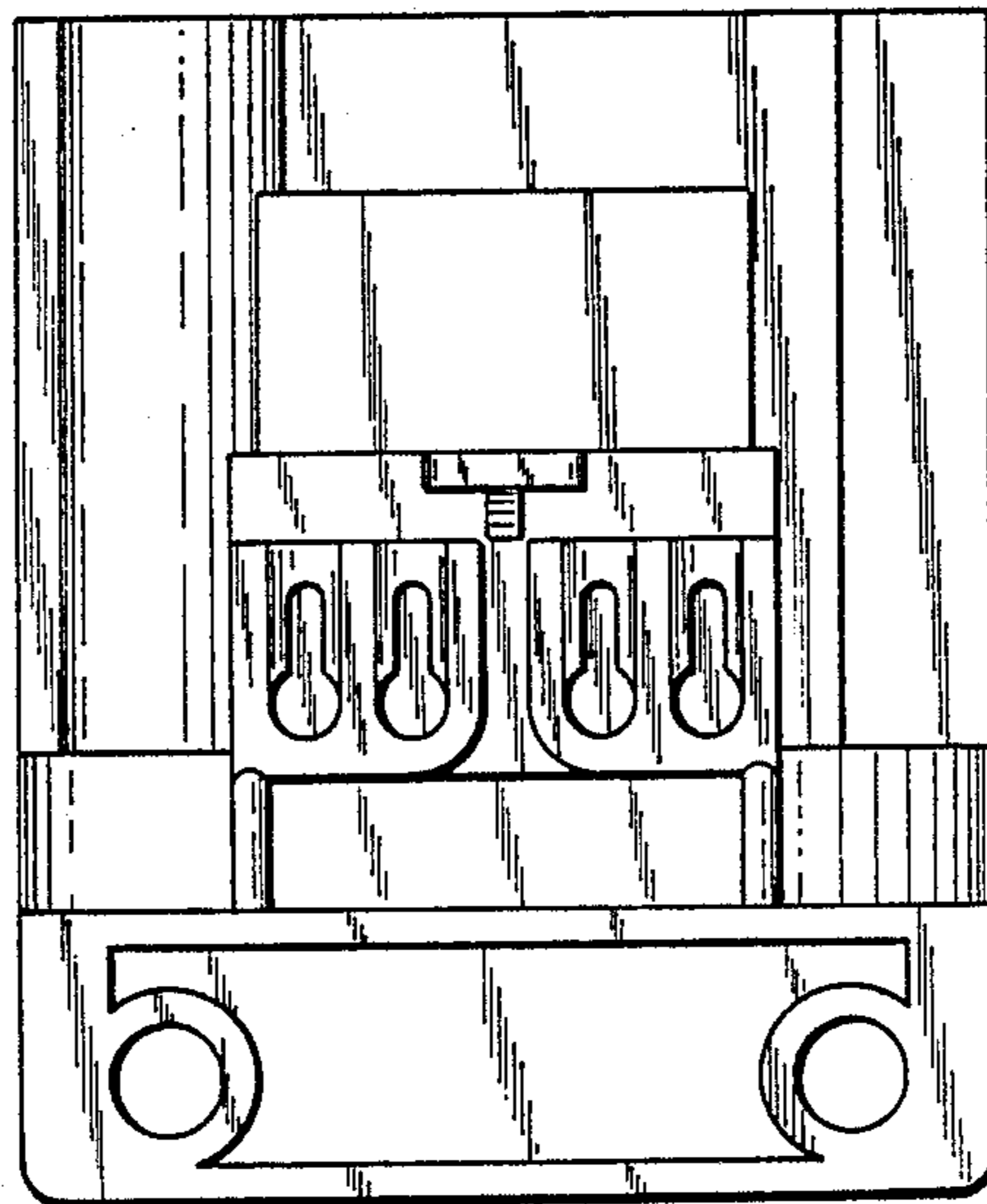


FIG. 6

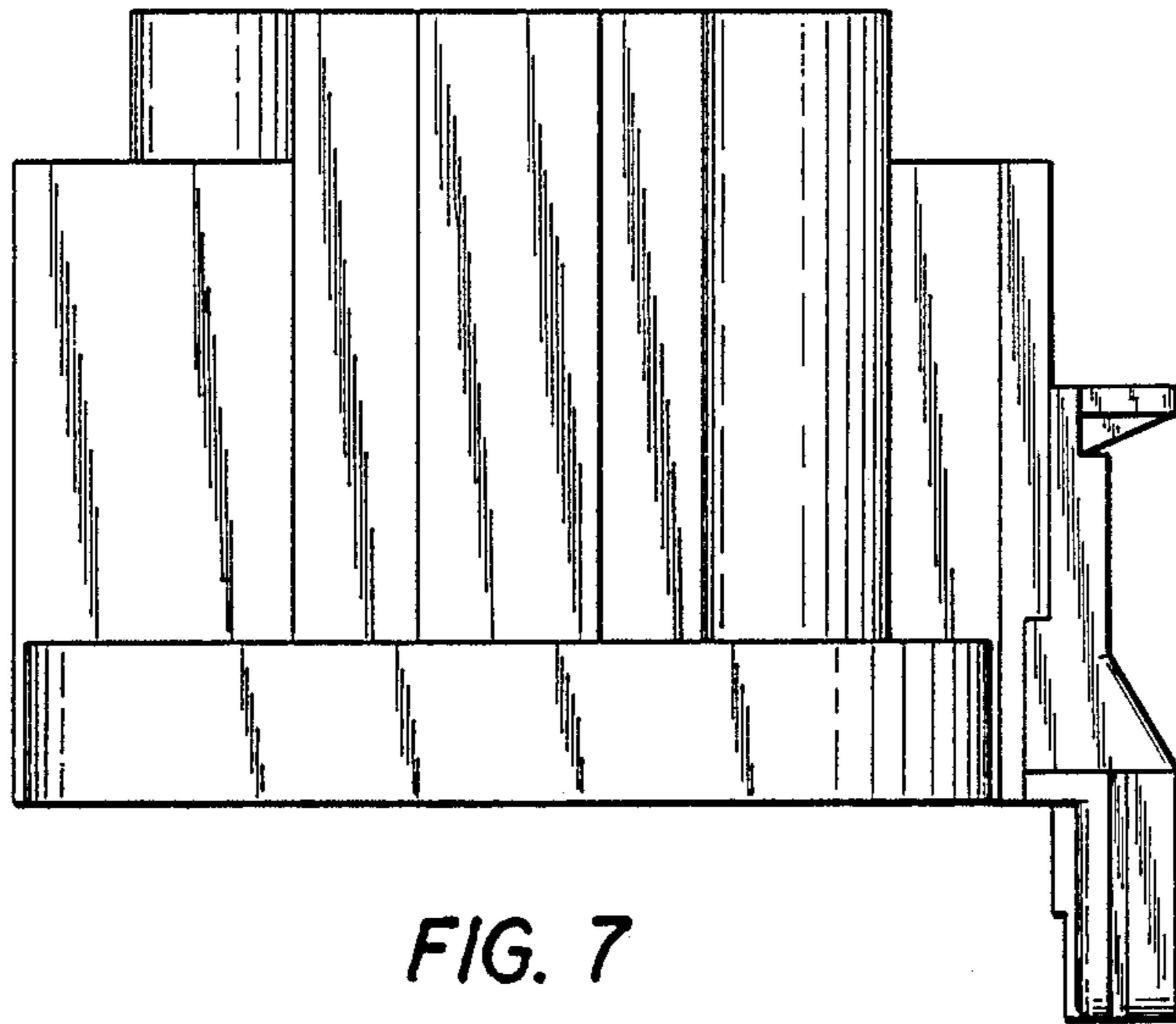


FIG. 7

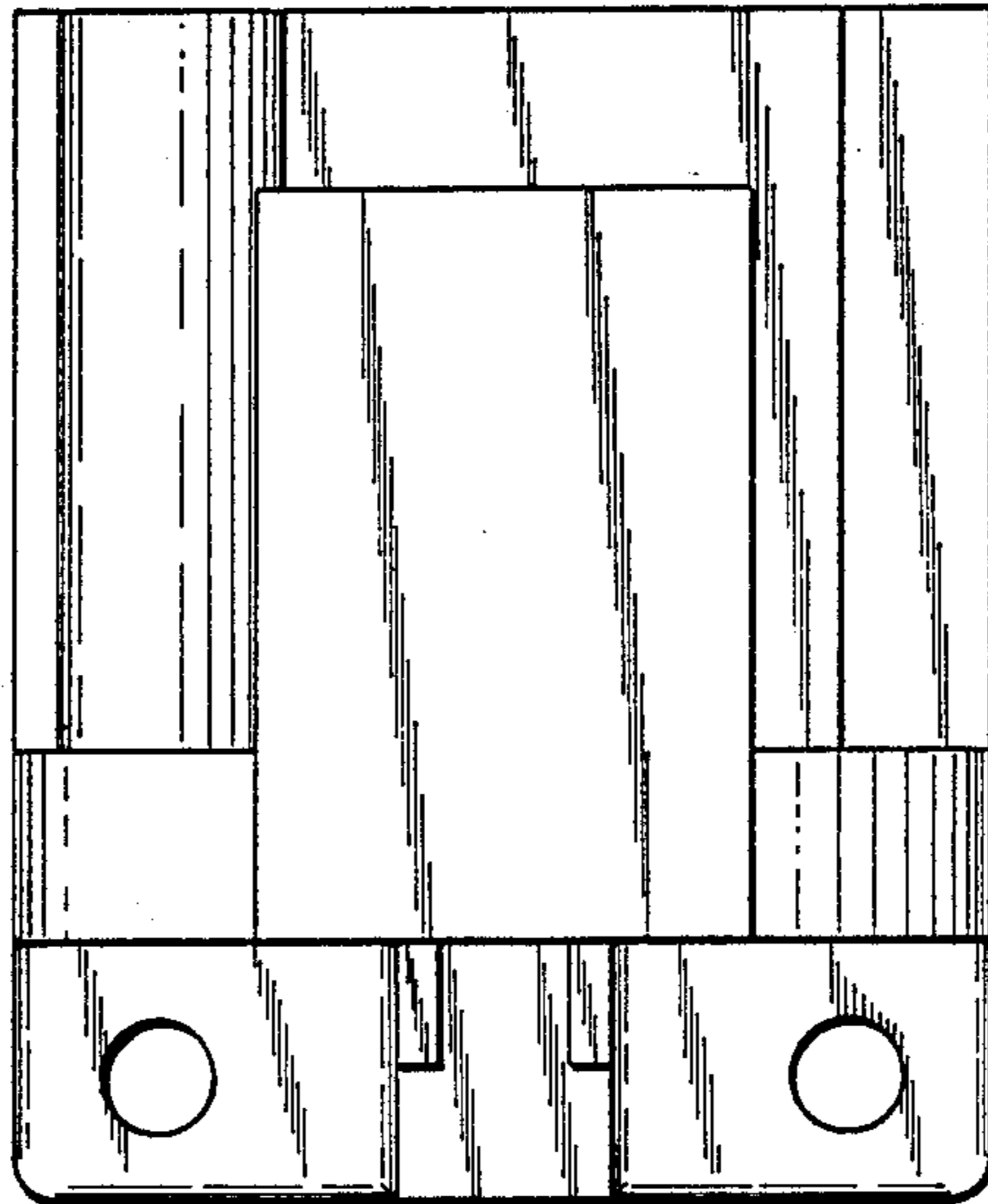


FIG. 8

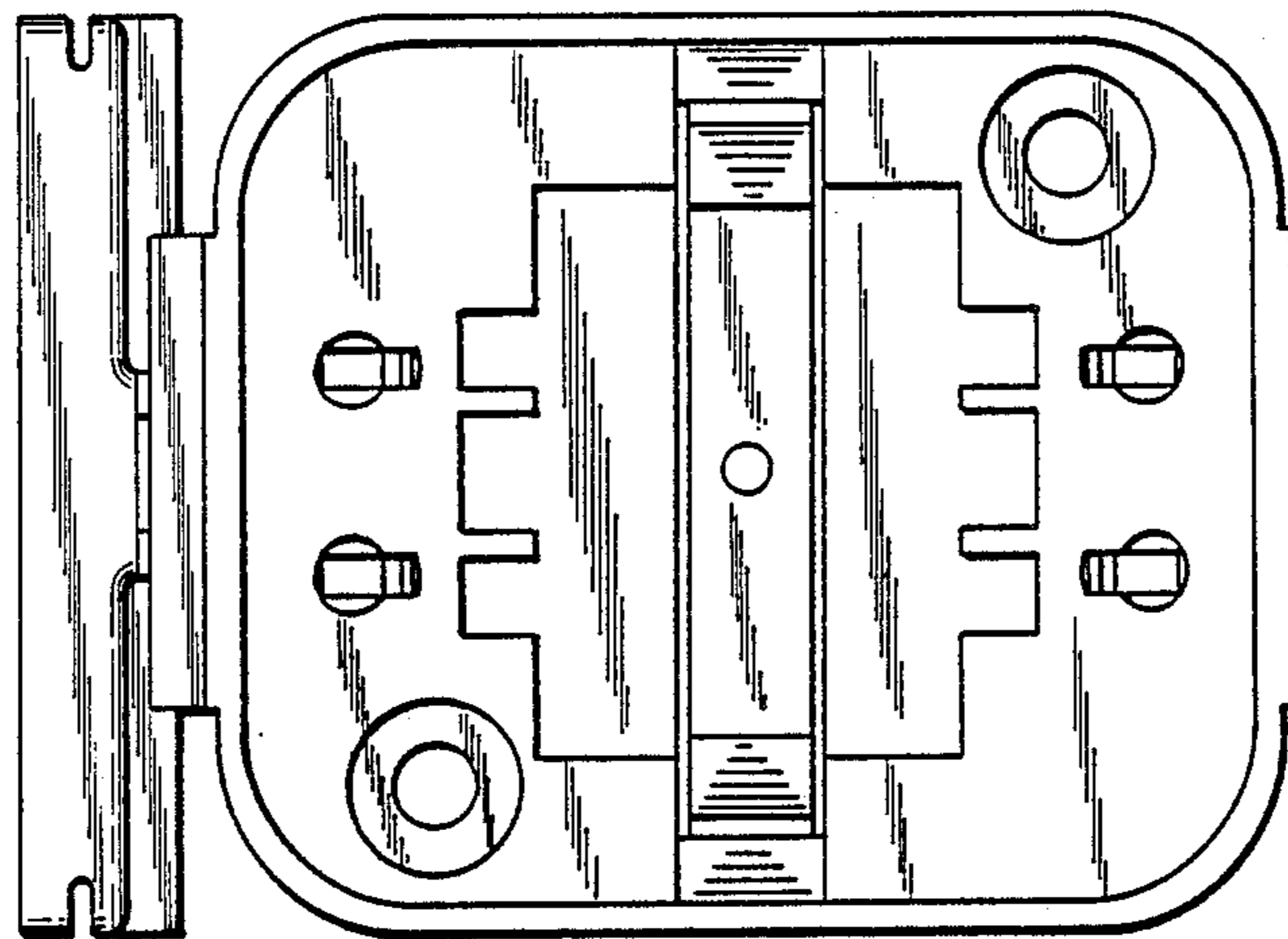


FIG. 9

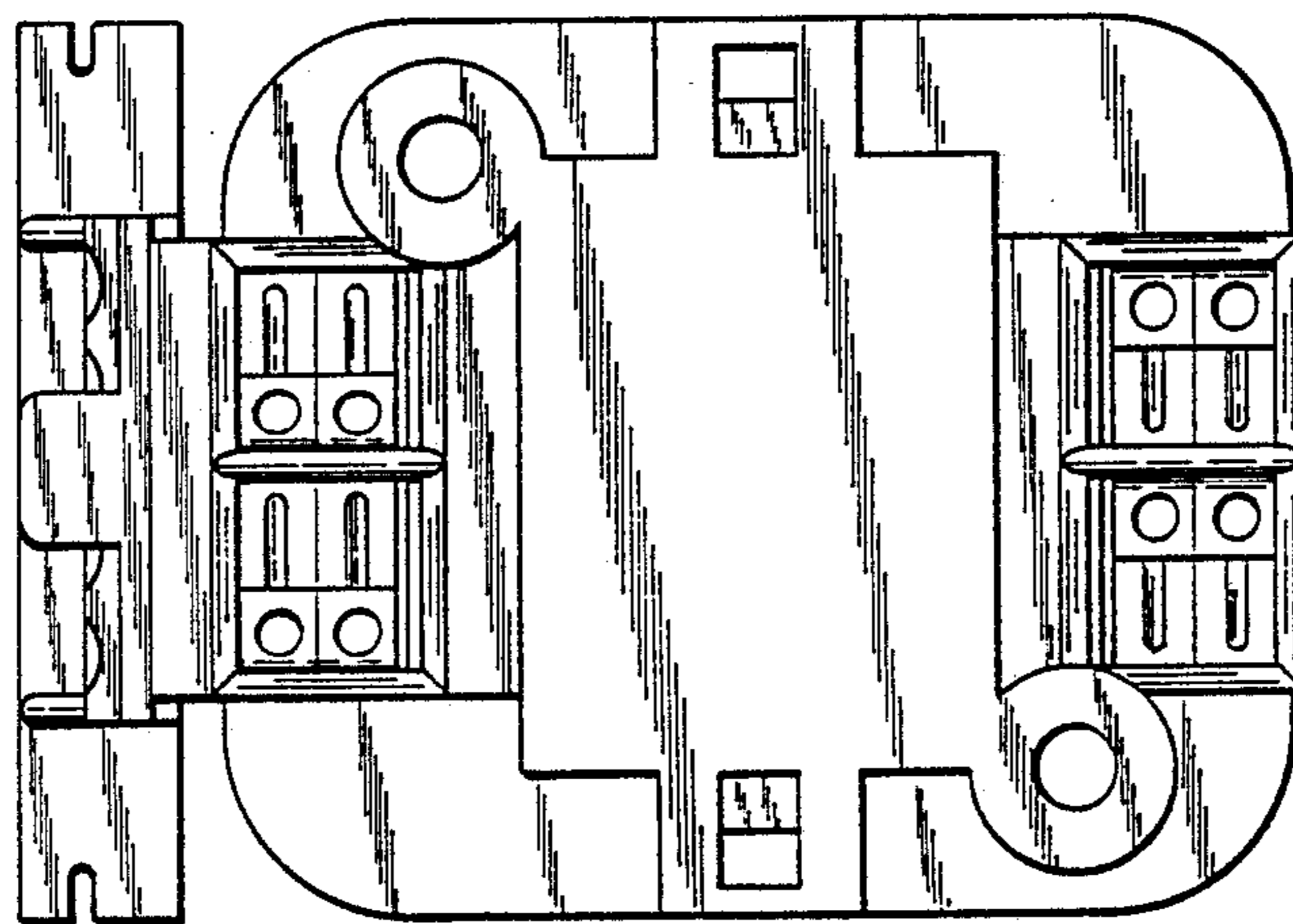


FIG. 10

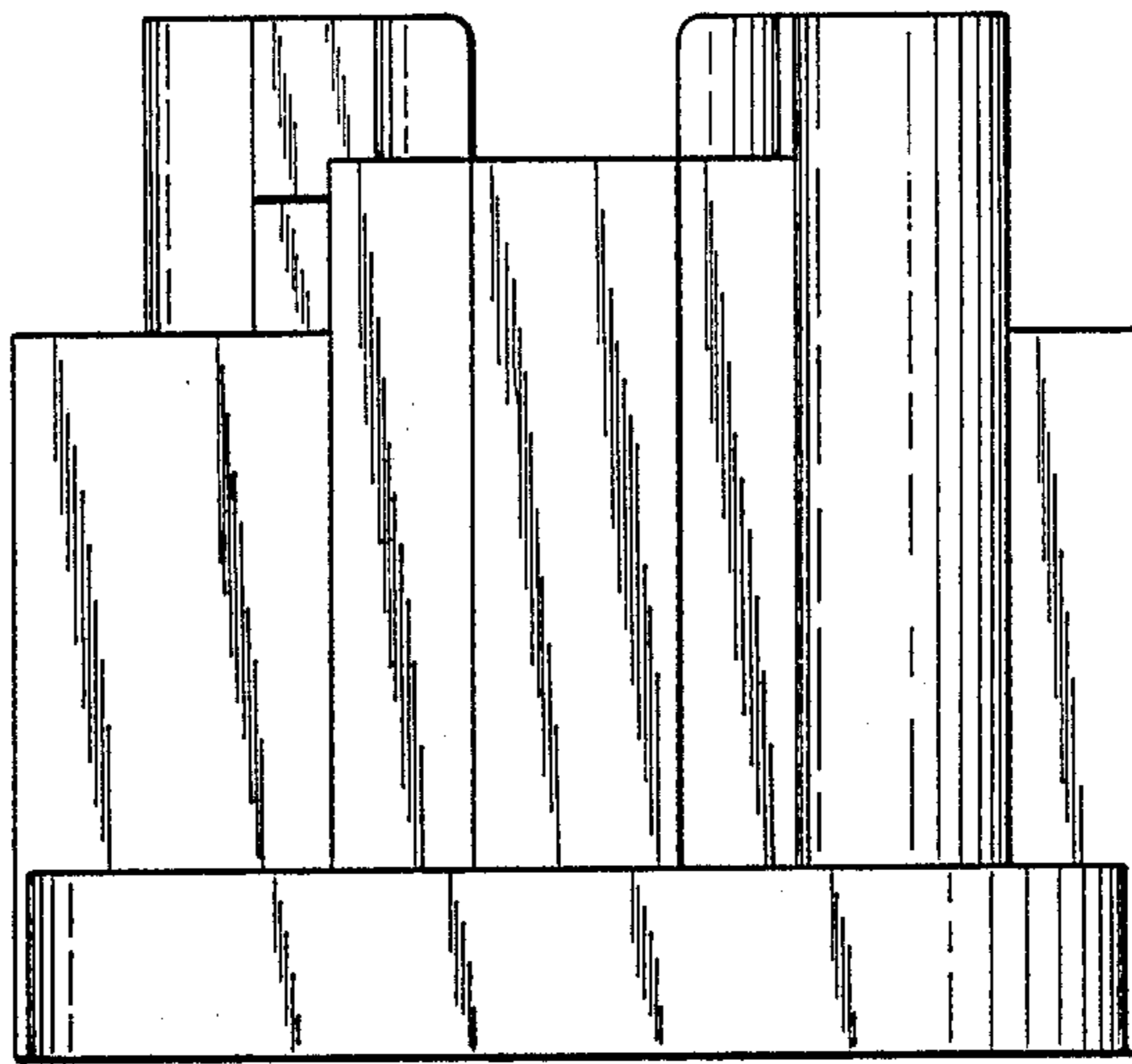


FIG. 11

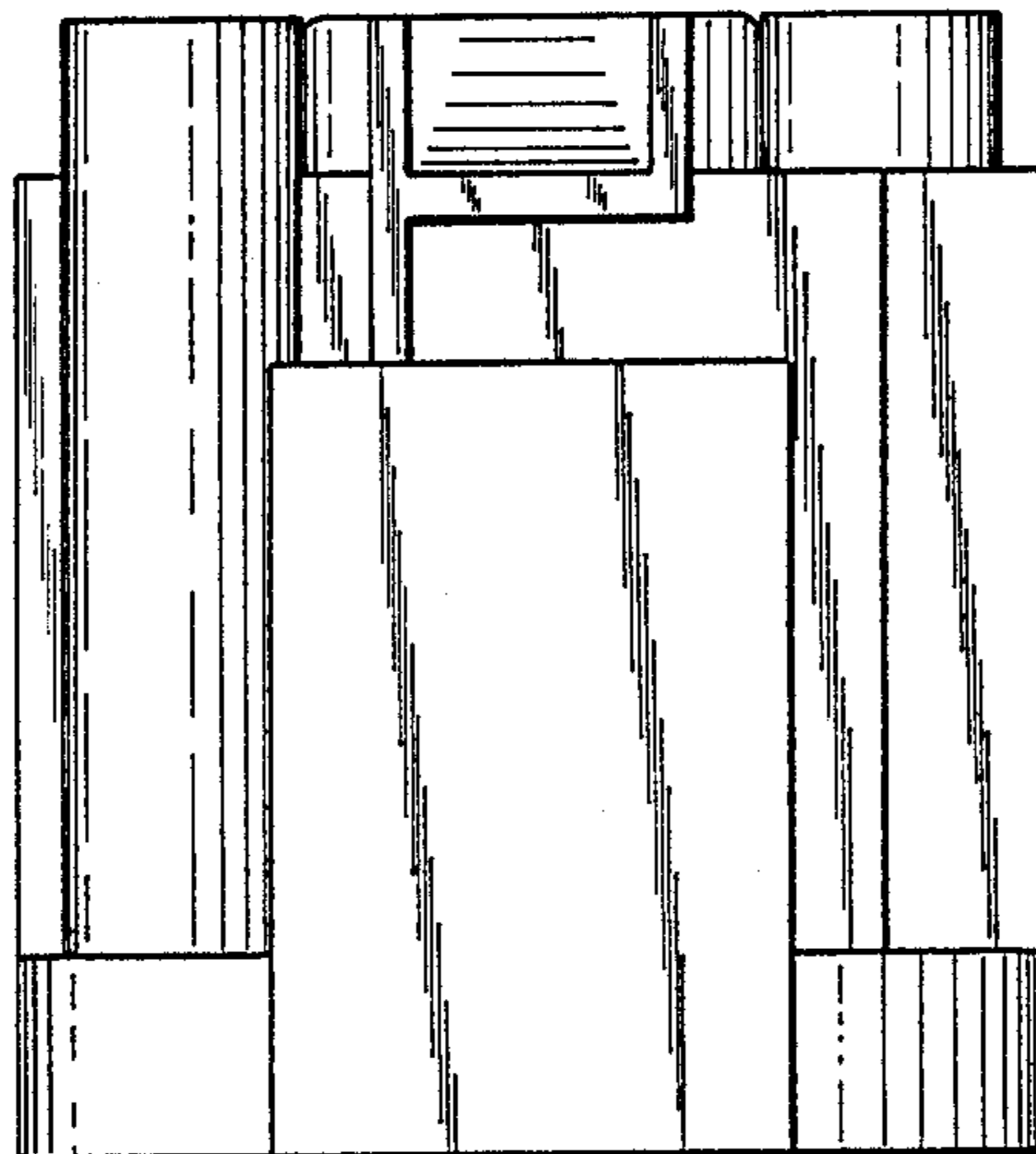


FIG. 12

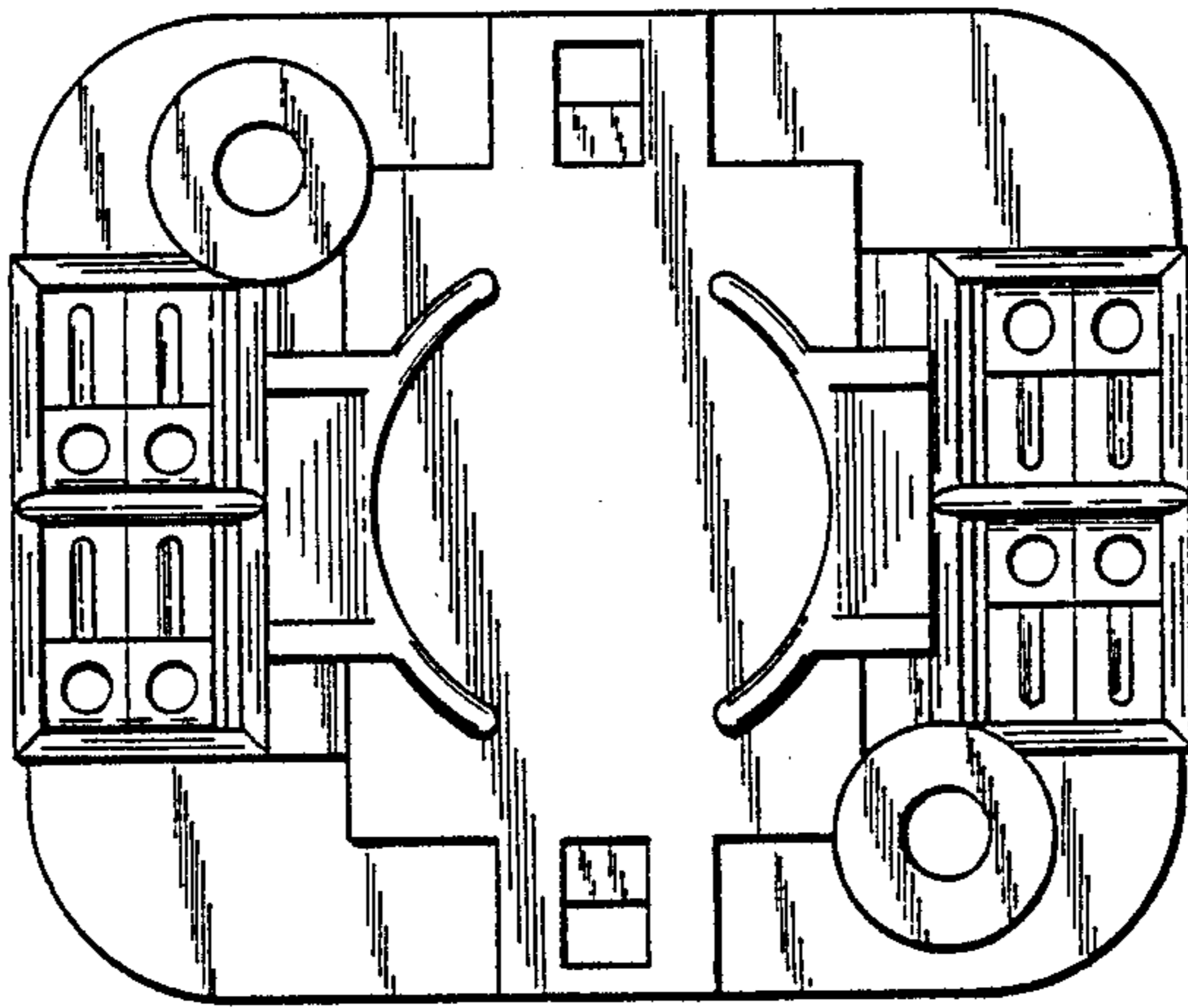


FIG. 13



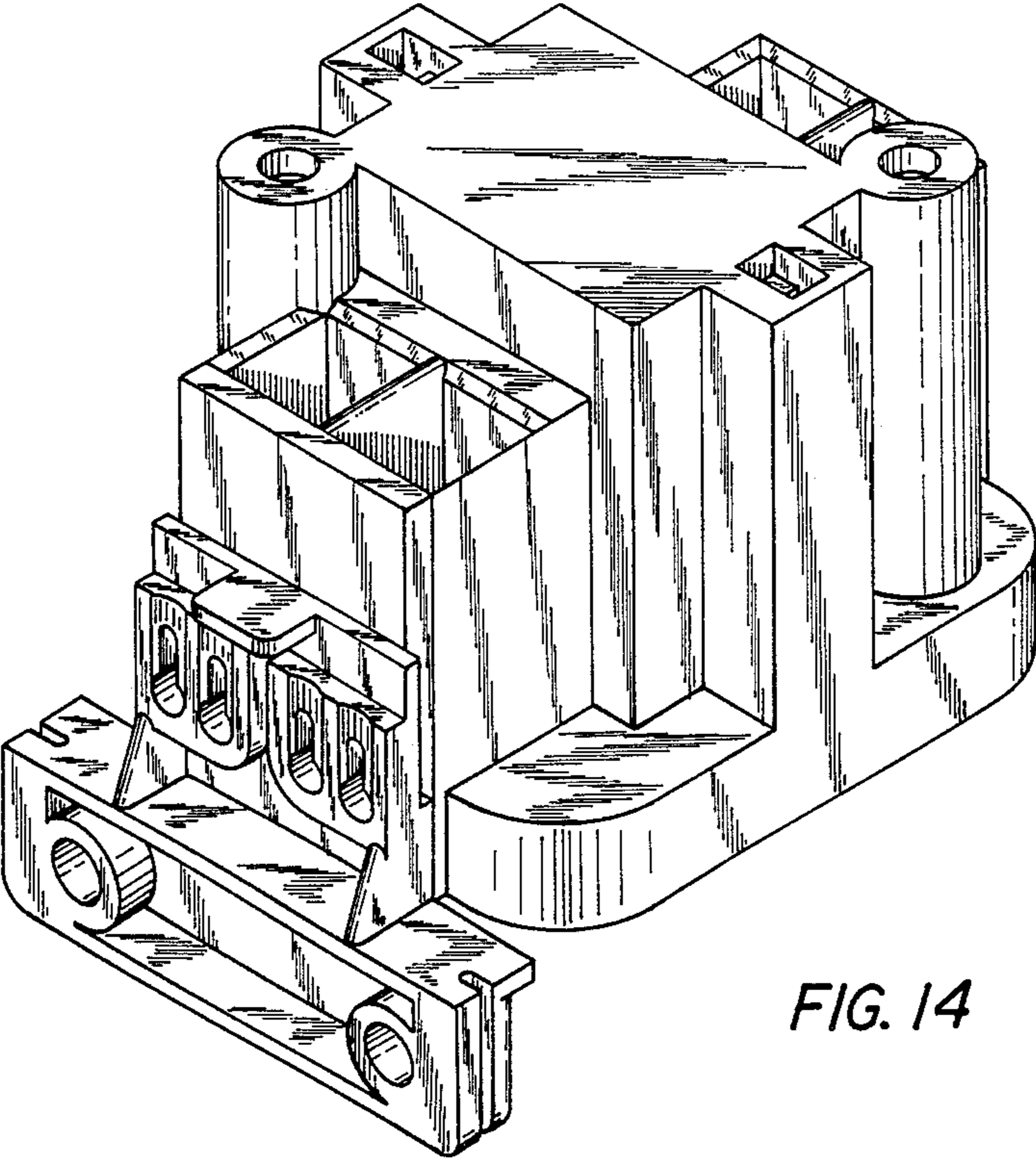


FIG. 14