

[54] MOUNTING BAR FOR ATTACHMENT TO A BICYCLE STEM FOR SUPPORTING ACCESSORY ITEMS

[76] Inventor: Raymond G. Mannier, 4166 White Oak Dr., Dayton, Ohio 45432

[\*\*] Term: 14 Years

[21] Appl. No.: 085,606

[22] Filed: Aug. 14, 1987

[52] U.S. Cl. .... D12/114

[58] Field of Search ..... D12/117, 114, 178; 74/551.8; 280/288.4; D8/349, 394

[56] References Cited

U.S. PATENT DOCUMENTS

- D. 283,209 4/1986 Rodriquez ..... D12/114
- D. 285,186 8/1986 Sinyard ..... D12/114

3,785,676 1/1974 Klein, Jr. .... D12/117

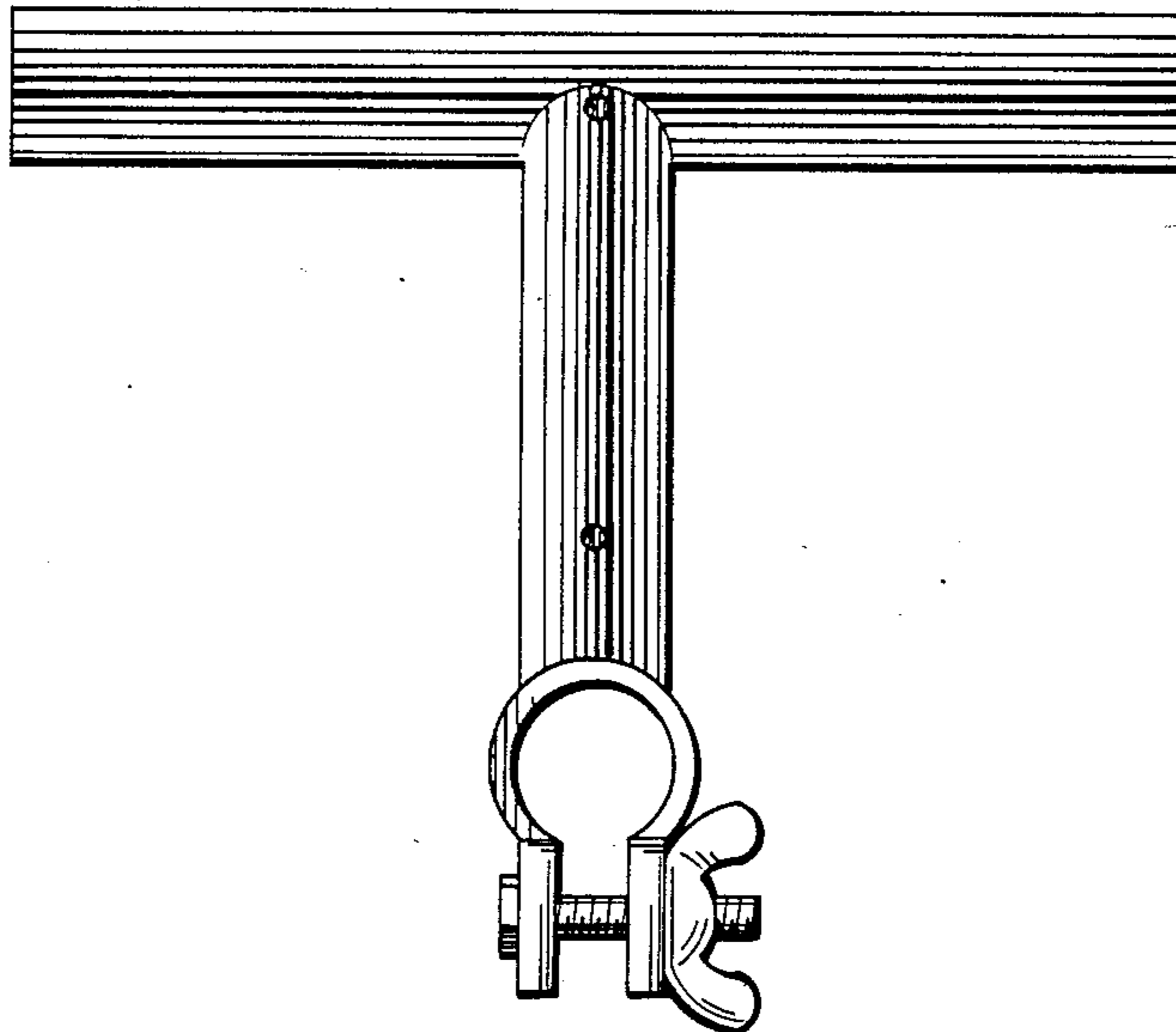
Primary Examiner—James M. Gandy  
Assistant Examiner—Melody N. Brown  
Attorney, Agent, or Firm—Jerry T. Kearns

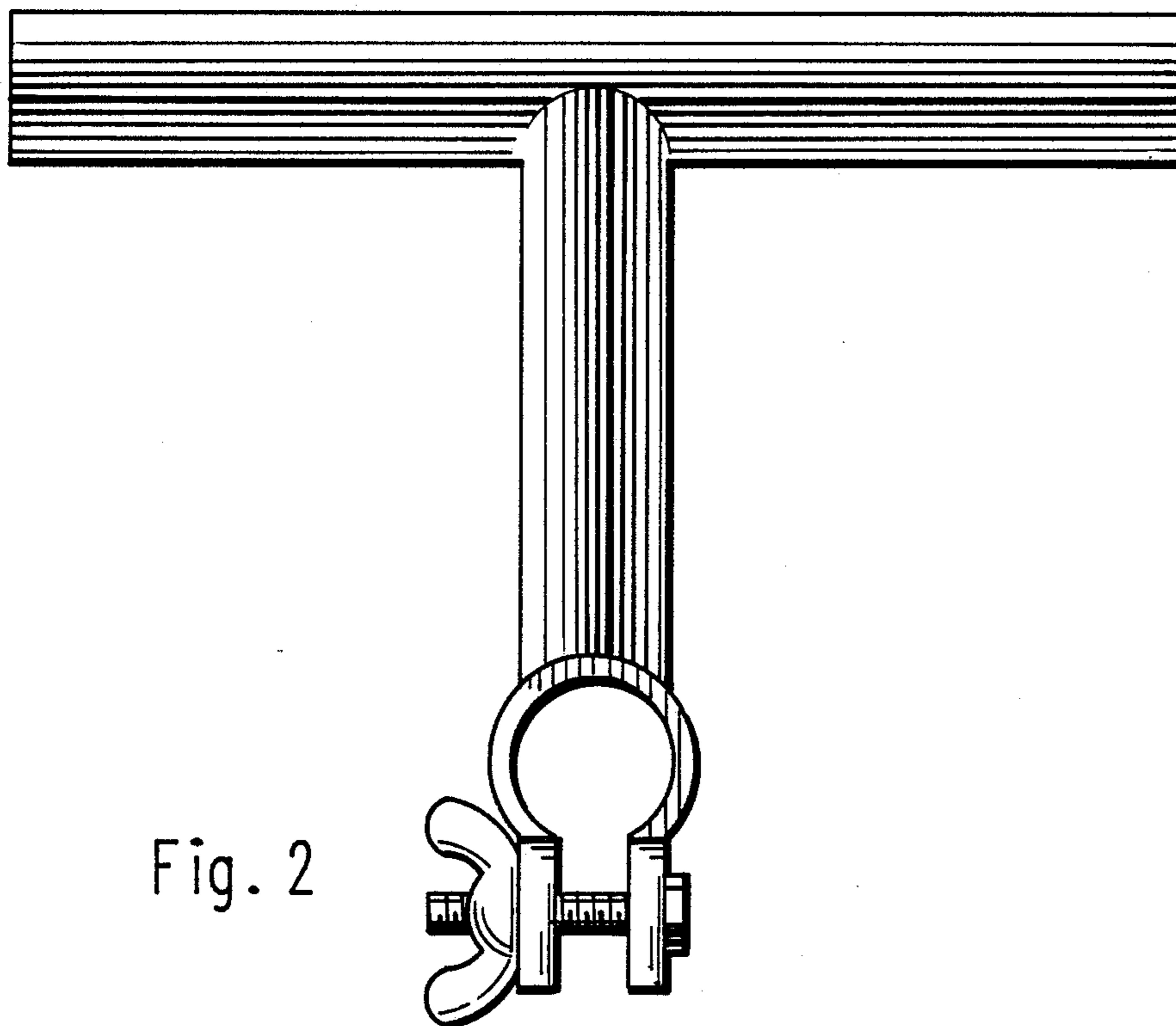
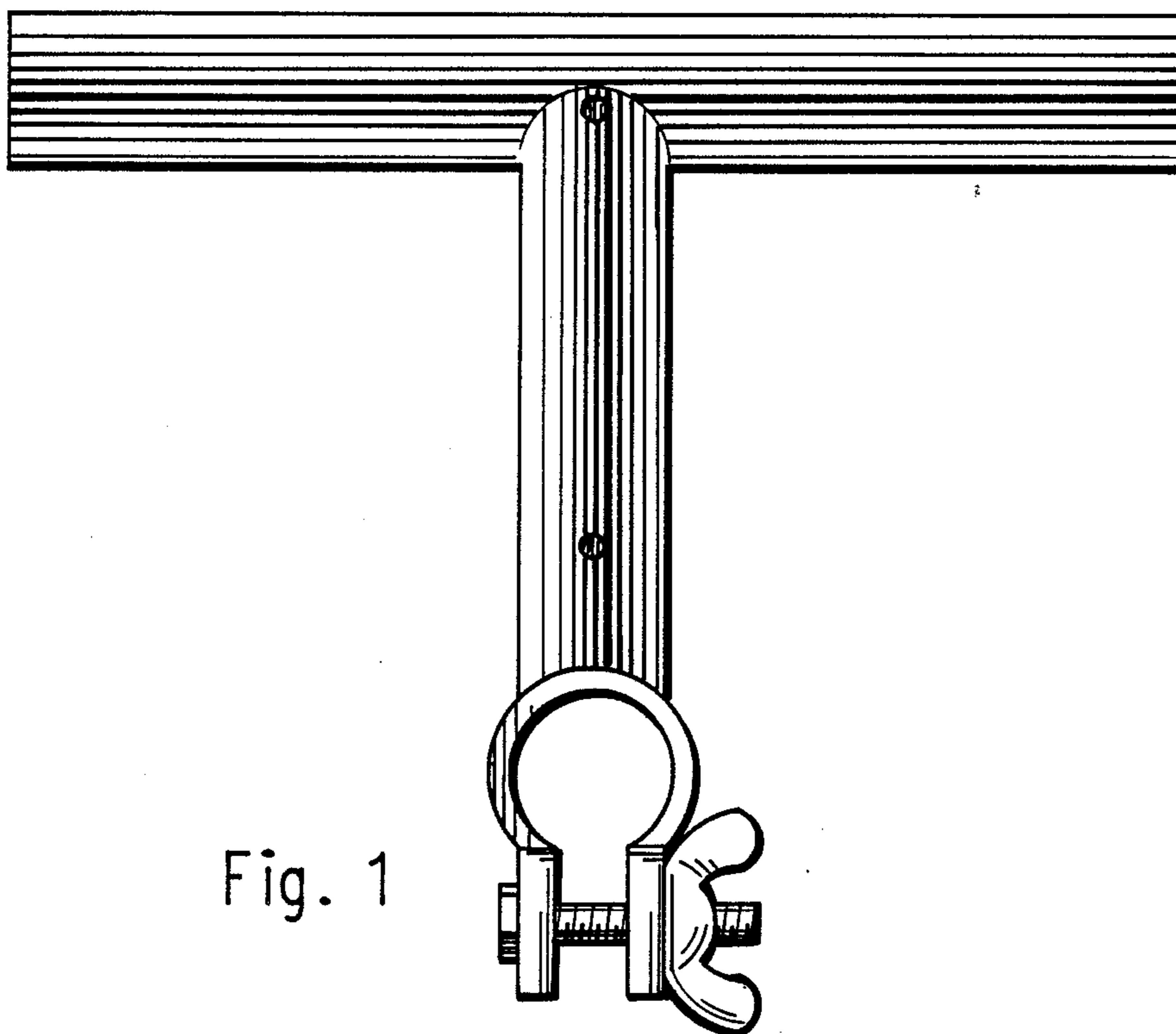
[57] CLAIM

The ornamental design for a mounting bar for attachment to a bicycle stem for supporting accessory items, as shown and described.

DESCRIPTION

FIG. 1 is a front elevational view of a mounting bar for attachment to a bicycle stem for supporting accessory items showing my new design;  
FIG. 2 is a rear elevational view thereof;  
FIG. 3 is a left side elevational view thereof;  
FIG. 4 is a right side elevational view thereof;  
FIG. 5 is a top plan view thereof; and,  
FIG. 6 is a bottom plan view thereof.





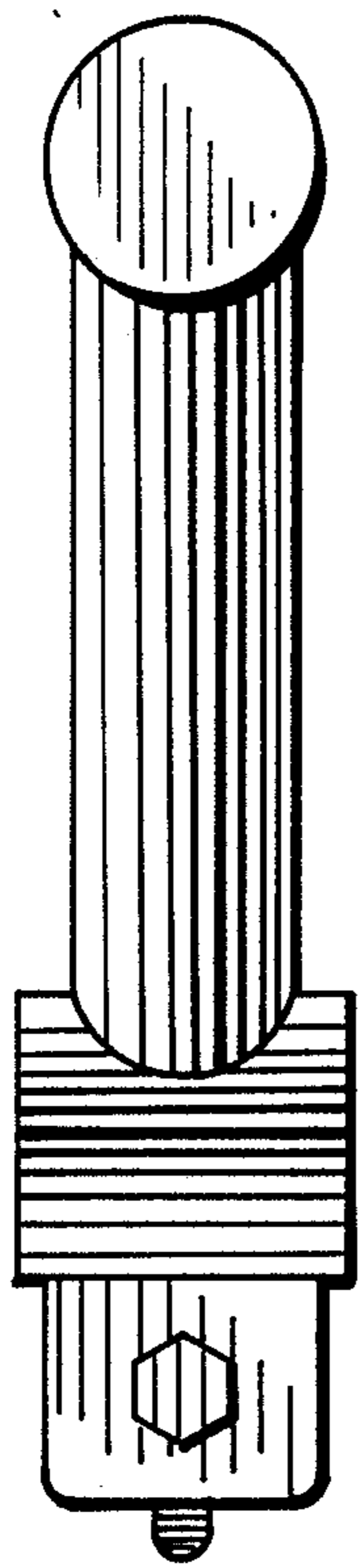


Fig. 3

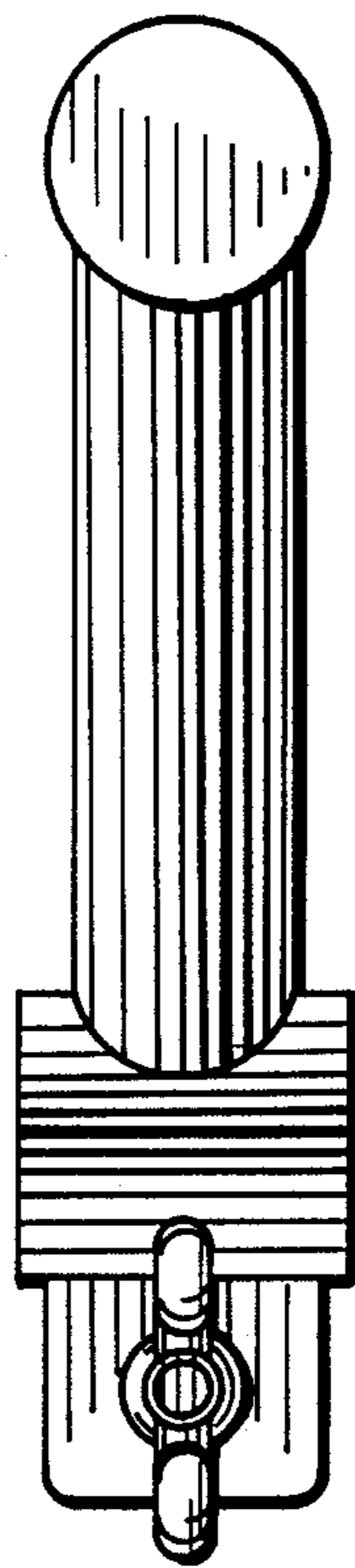


Fig. 4

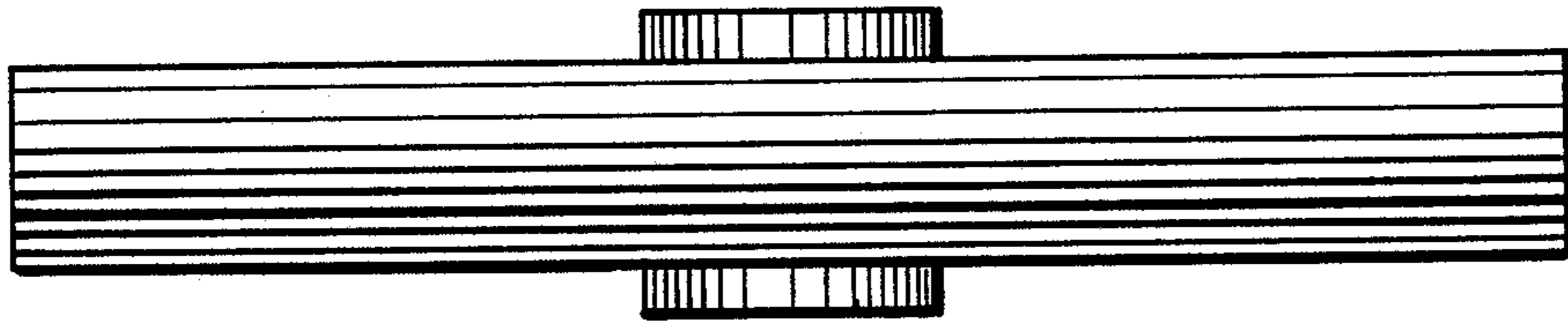


Fig. 5

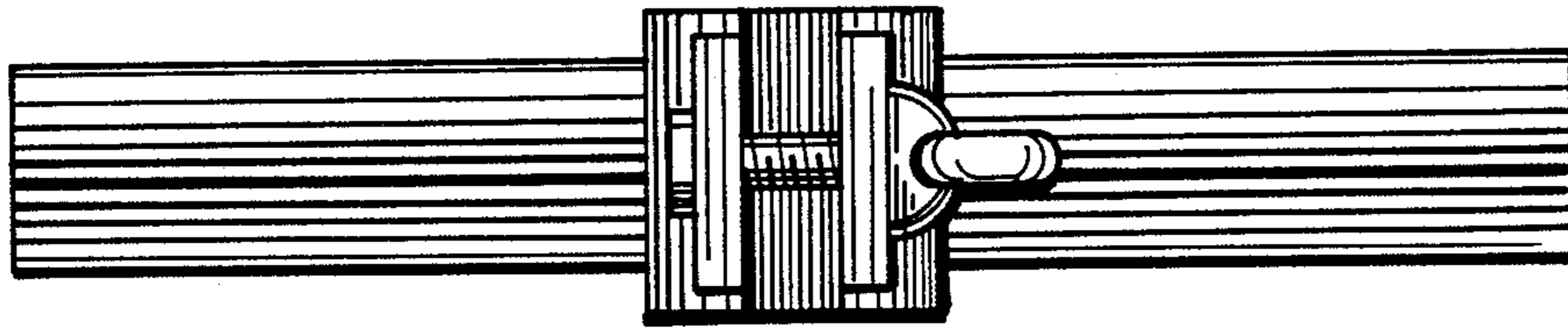


Fig. 6