

[54] CARRYING VEHICLE

[75] Inventors: Sotoshi Takagi, Izumisano; Akio Fukata, Izumi, both of Japan

[73] Assignee: Kubota, Ltd., Osaka, Japan

[**] Term: 14 Years

[21] Appl. No.: 100,135

[22] Filed: Sep. 23, 1987

[30] Foreign Application Priority Data

Jul. 20, 1987 [JP] Japan 62-29433
[52] U.S. Cl. D12/98
[58] Field of Search D12/98, 87; 296/183

[56] References Cited

U.S. PATENT DOCUMENTS

D. 237,873 12/1975 Johnson D12/87
D. 284,955 8/1986 Loubser D12/98
4,449,748 5/1984 Fiala et al. 296/183

Primary Examiner—James M. Gandy
Attorney, Agent, or Firm—Edwin E. Greigg

[57] CLAIM

The ornamental design for a carrying vehicle, as shown.

DESCRIPTION

FIG. 1 is a right side elevation view of our carrying vehicle;
FIG. 2 is a left side elevation view thereof;
FIG. 3 is a top plan view thereof;
FIG. 4 is a front elevation view thereof; and
FIG. 5 is a rear elevation view thereof.

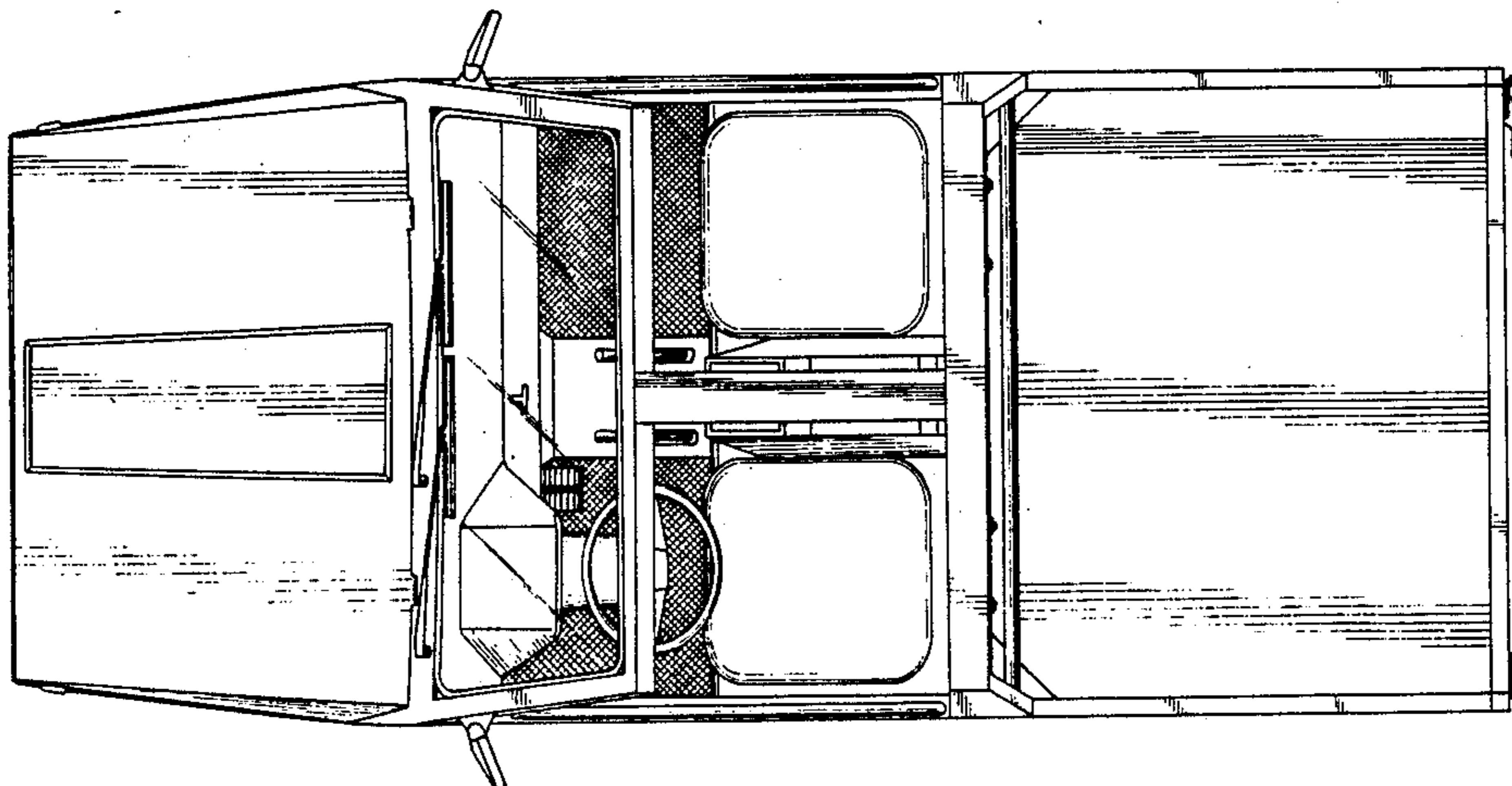
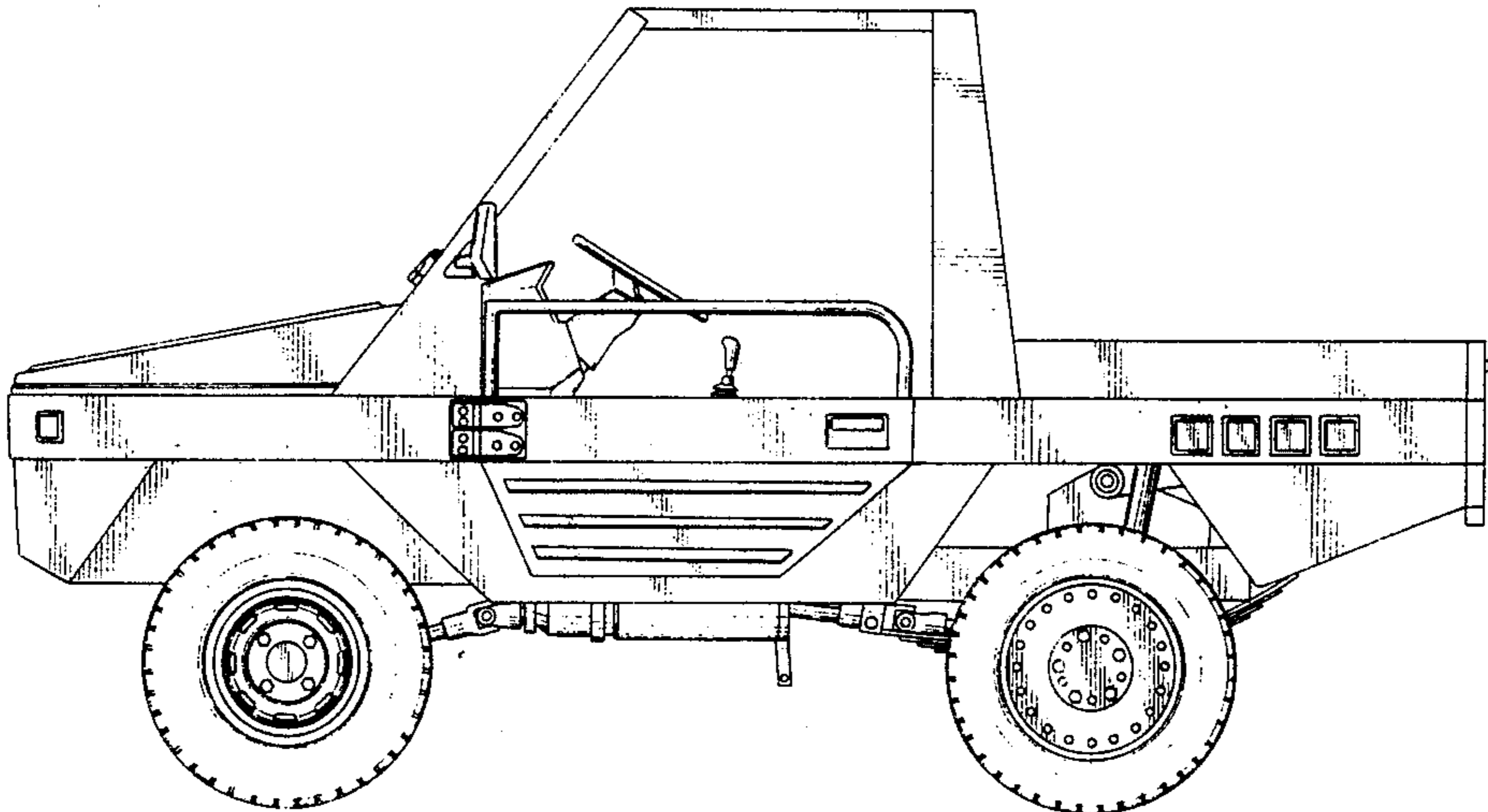


Fig.1

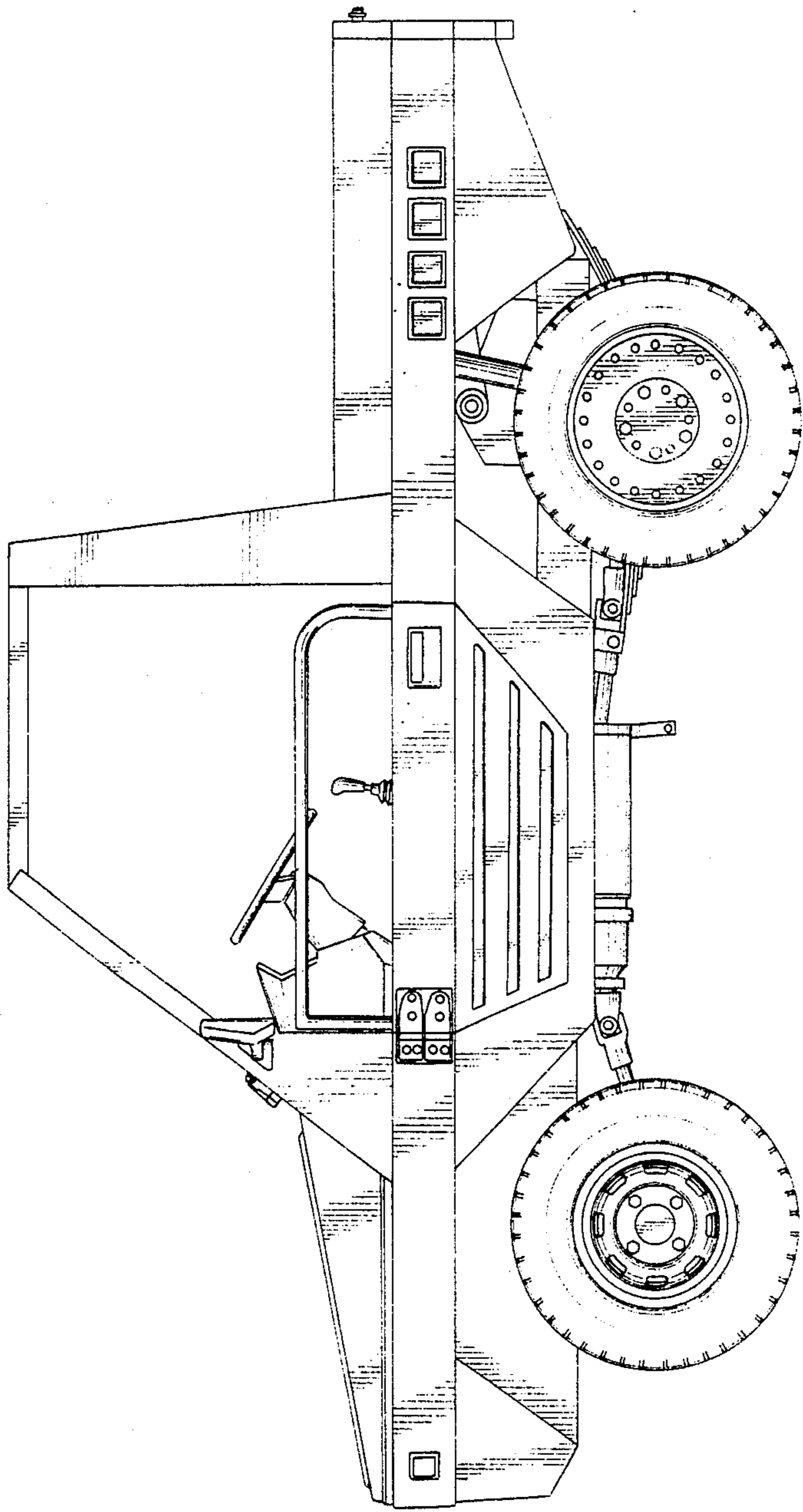


Fig. 2

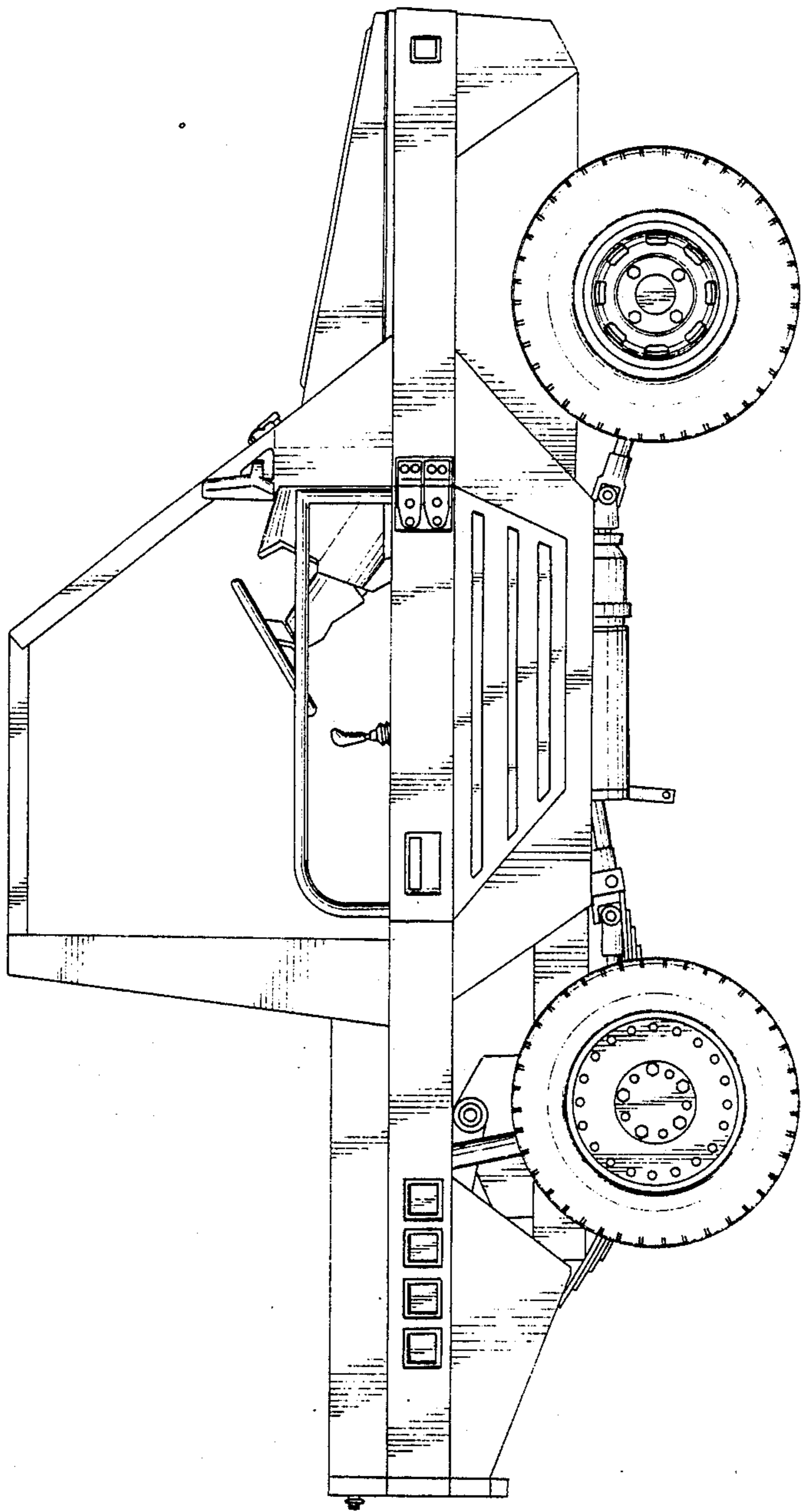


Fig. 3

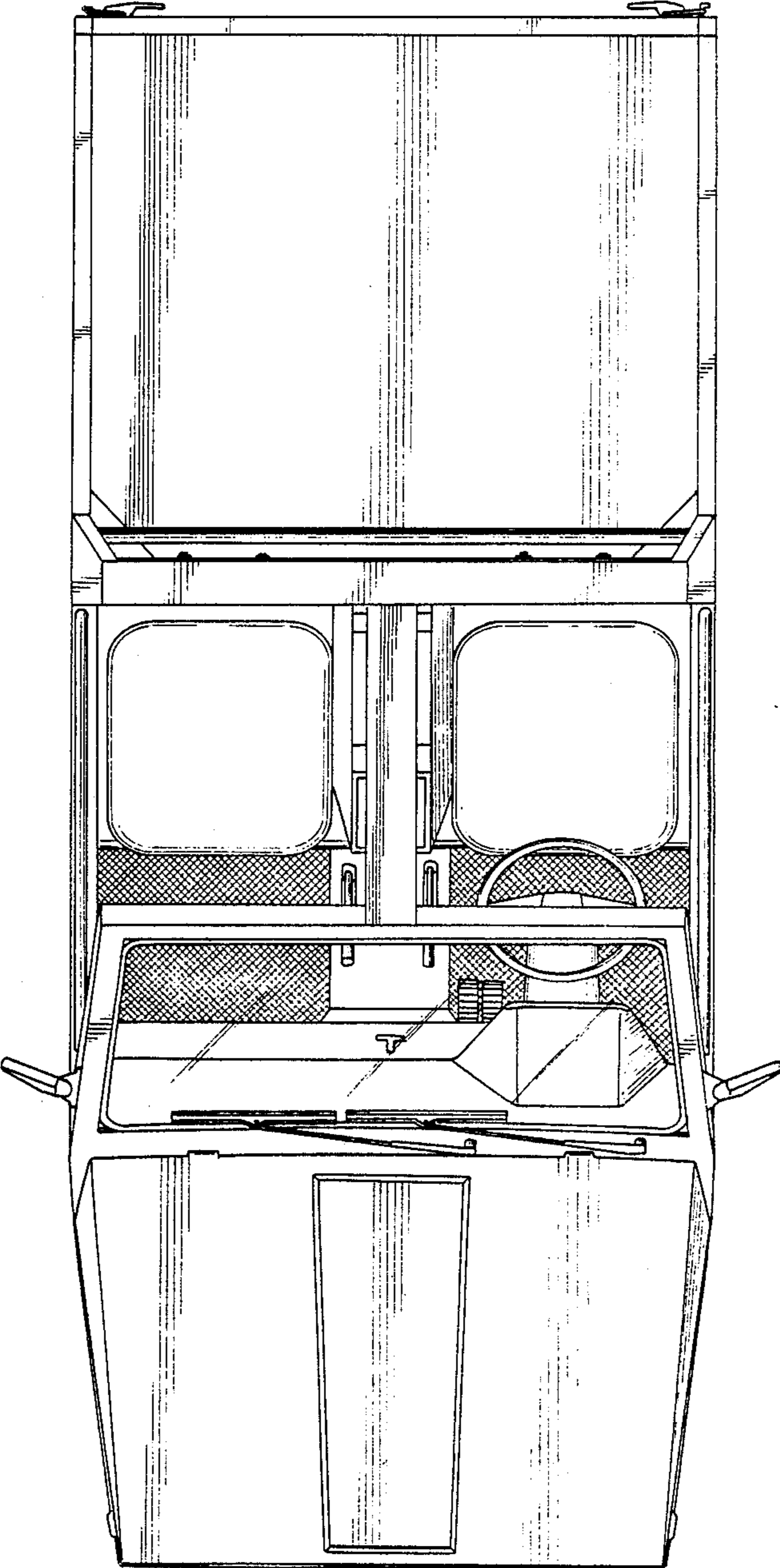


Fig.5

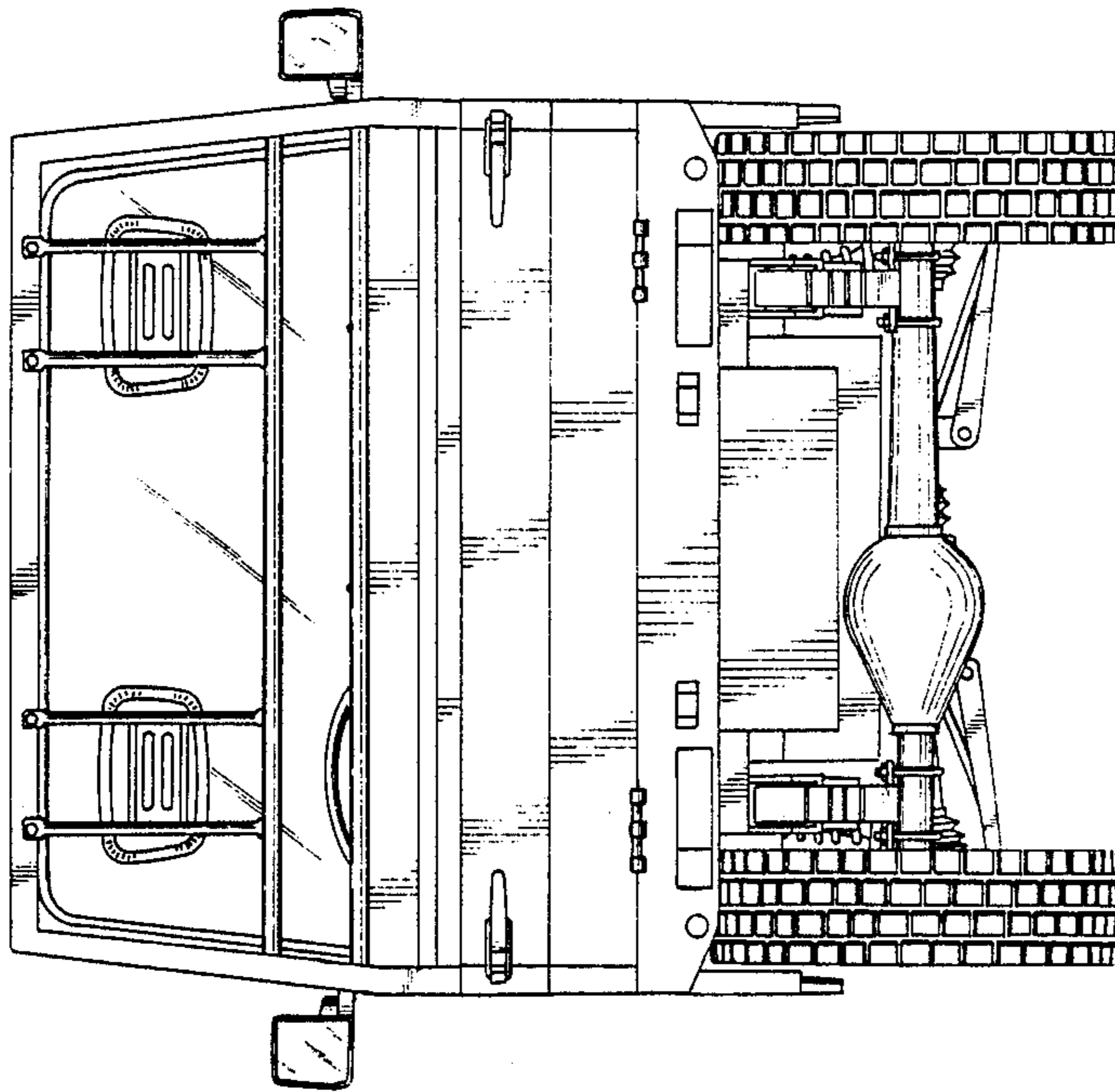


Fig. 4

