

[54] **CLOCK**

[76] **Inventor:** Andreas Diehl, Marienburger Str. 3,
D-8950 Kaufbeuren, Fed. Rep. of
Germany

[**] **Term:** 14 Years

[21] **Appl. No.:** 934,089

[22] **Filed:** Nov. 21, 1986

[30] **Foreign Application Priority Data**

May 22, 1986 [DE] Fed. Rep. of Germany MR 9683

[52] **U.S. Cl.** D10/6; D10/126

[58] **Field of Search** D10/6, 33, 122-126,
D10/21; 368/276-277, 285, 232, 228, 223

[56] **References Cited**

U.S. PATENT DOCUMENTS

D. 229,438 11/1973 Klatic D14/69

FOREIGN PATENT DOCUMENTS

2740946 3/1978 Fed. Rep. of Germany D10/6 X

OTHER PUBLICATIONS

European Jeweler 1/86 p. 172, clocks at top.
"Taiwan International Trade" Magazine Dated Aug.
1986, p. 134.

Primary Examiner—Nelson C. Holtje
Attorney, Agent, or Firm—Flynn, Thiel, Boutell & Tanis

[57] **CLAIM**

The ornamental design for a clock, as shown and de-
scribed.

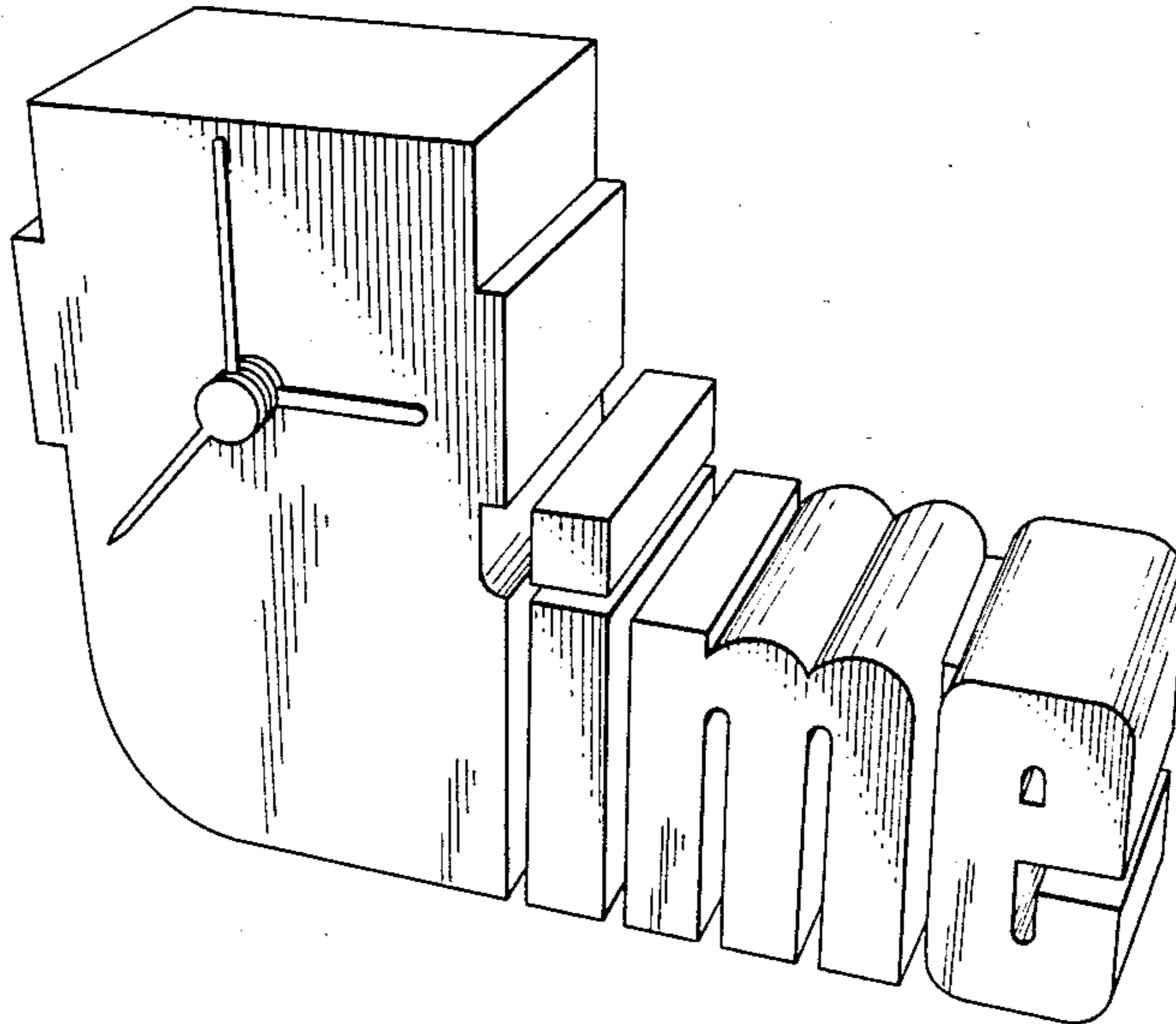
DESCRIPTION

FIG. 1 is a front elevational view of a clock showing my
new design;

FIG. 2 is a right side elevational view thereof;

FIG. 3 is a front and top, right perspective view thereof;

FIG. 4 is a rear and bottom, left perspective view
thereof.



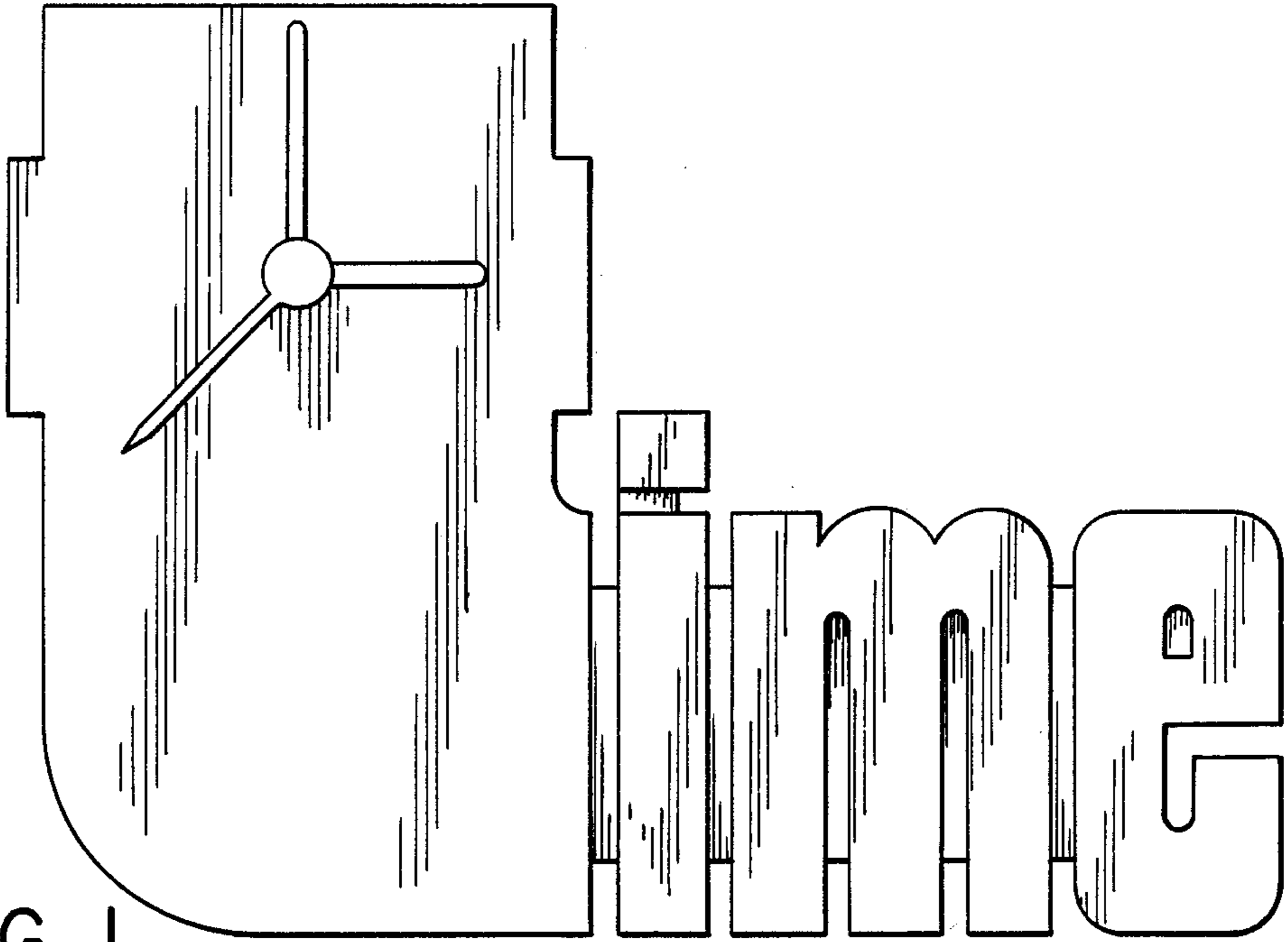


FIG. 1

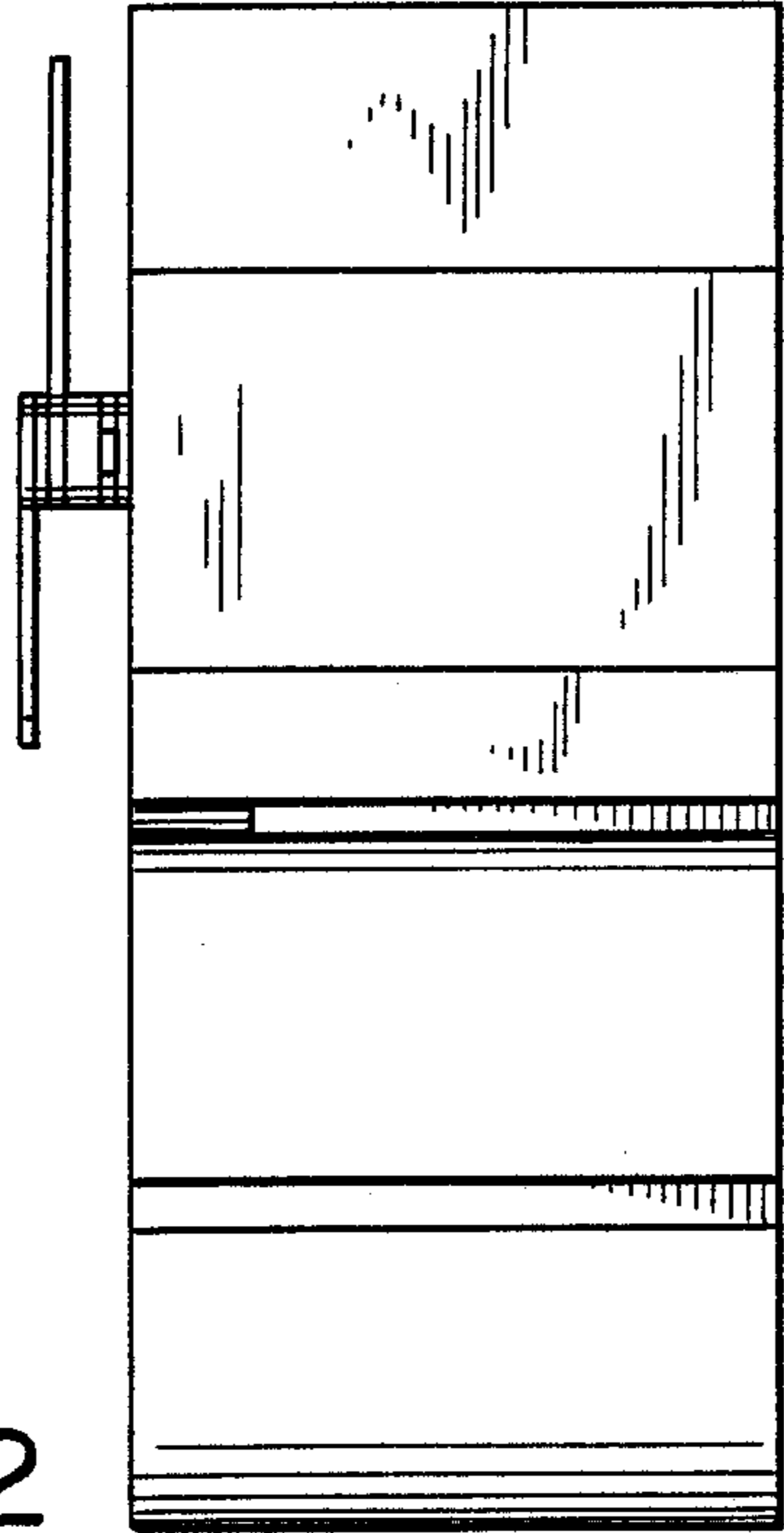


FIG. 2

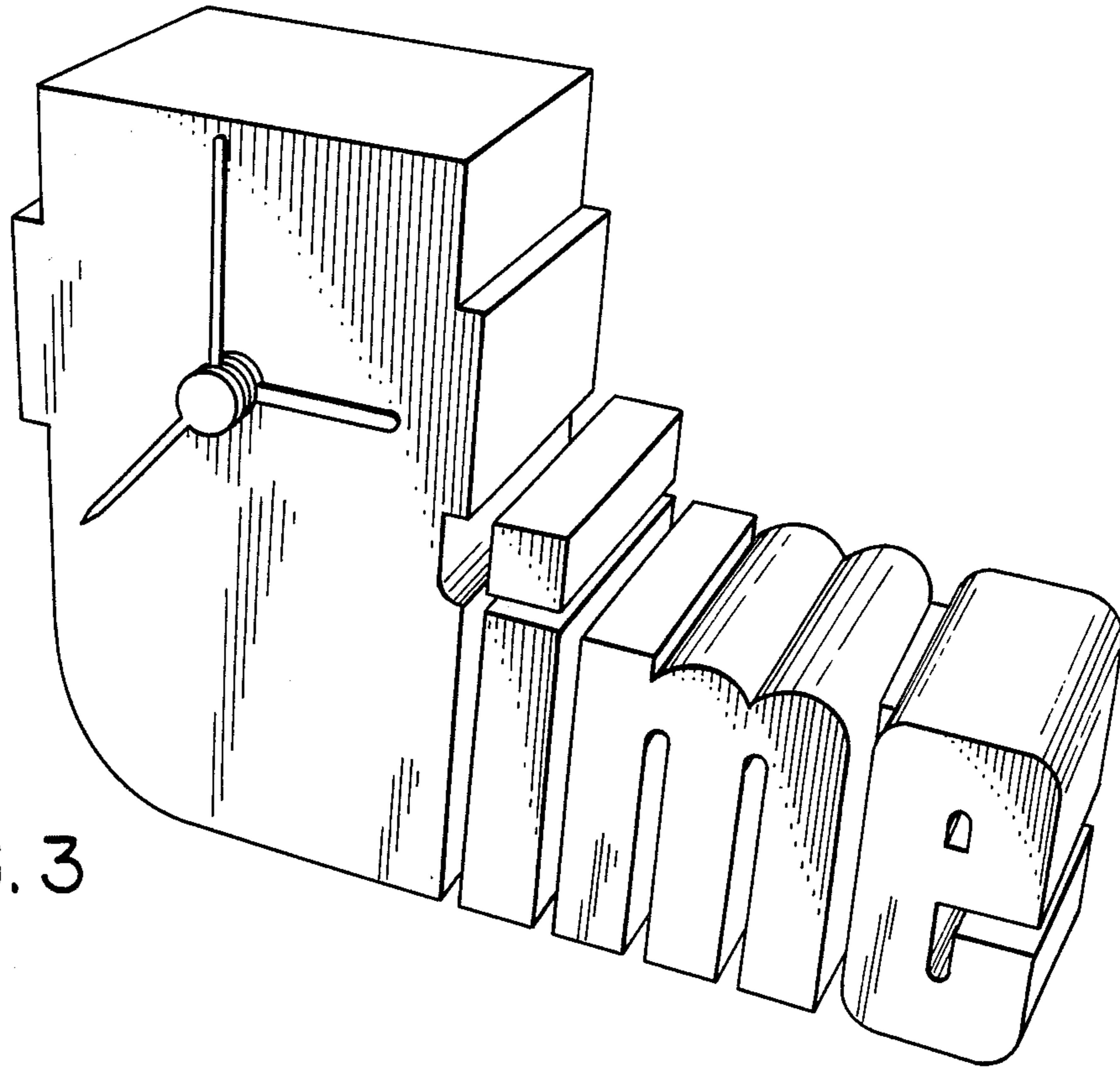


FIG. 3

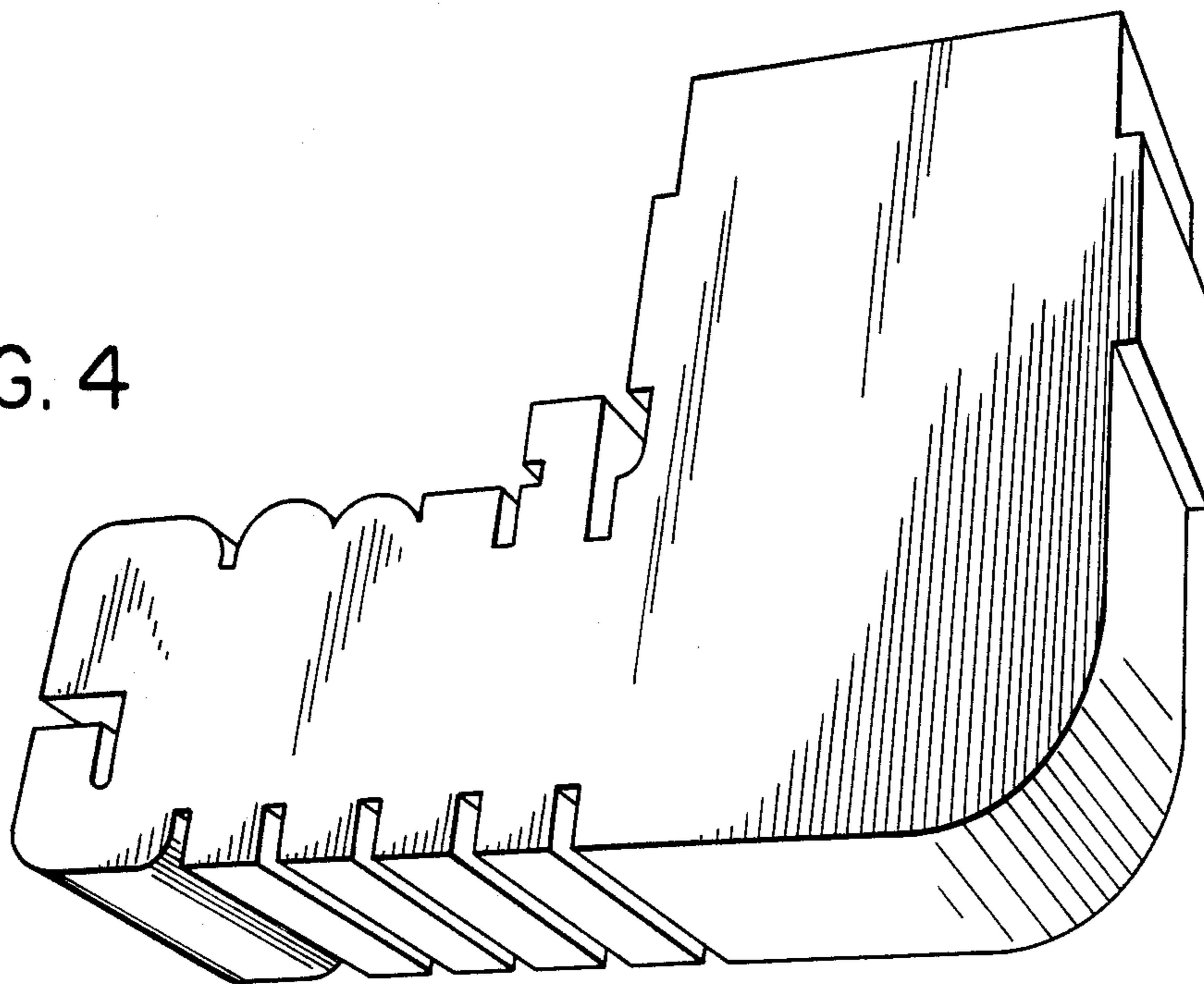


FIG. 4