

[54] **EGG PACKAGING CONTAINER**

[75] **Inventor: William N. H. Johnson, London, England**

[73] **Assignee: Scientific Applied Research (SAR) plc, London, Great Britain**

[**] **Term: 14 Years**

[21] **Appl. No.: 850,359**

[22] **Filed: Apr. 4, 1986**

[30] **Foreign Application Priority Data**

Oct. 9, 1985 [GB] United Kingdom 1029723
Oct. 9, 1985 [GB] United Kingdom 1029724
Oct. 9, 1985 [GB] United Kingdom 1029725
Mar. 27, 1986 [GB] United Kingdom 1033124
Mar. 27, 1986 [GB] United Kingdom 1033125
[52] **U.S. Cl.** **D9/345**
[58] **Field of Search** **D9/341, 345, 424, 425, D9/426, 428; 206/521.1, 602.1, 611, 620; 229/2.5 EC, 2.5 R; 220/4 B, 20, 22.2, 23, 23.83, 23.4, 21; 99/440; 426/298**

[56] **References Cited**

U.S. PATENT DOCUMENTS

216,831	6/1879	Collings	220/4 B
911,051	2/1909	LeBourgeois	220/4 B
2,745,642	5/1956	Hermann	220/4 B
3,088,644	5/1963	Mosse	229/2.5
4,244,470	1/1981	Burnham	220/4 B
4,261,505	4/1981	Matsui	229/2.5
4,605,127	8/1986	Magnussen, Jr.	229/2.5

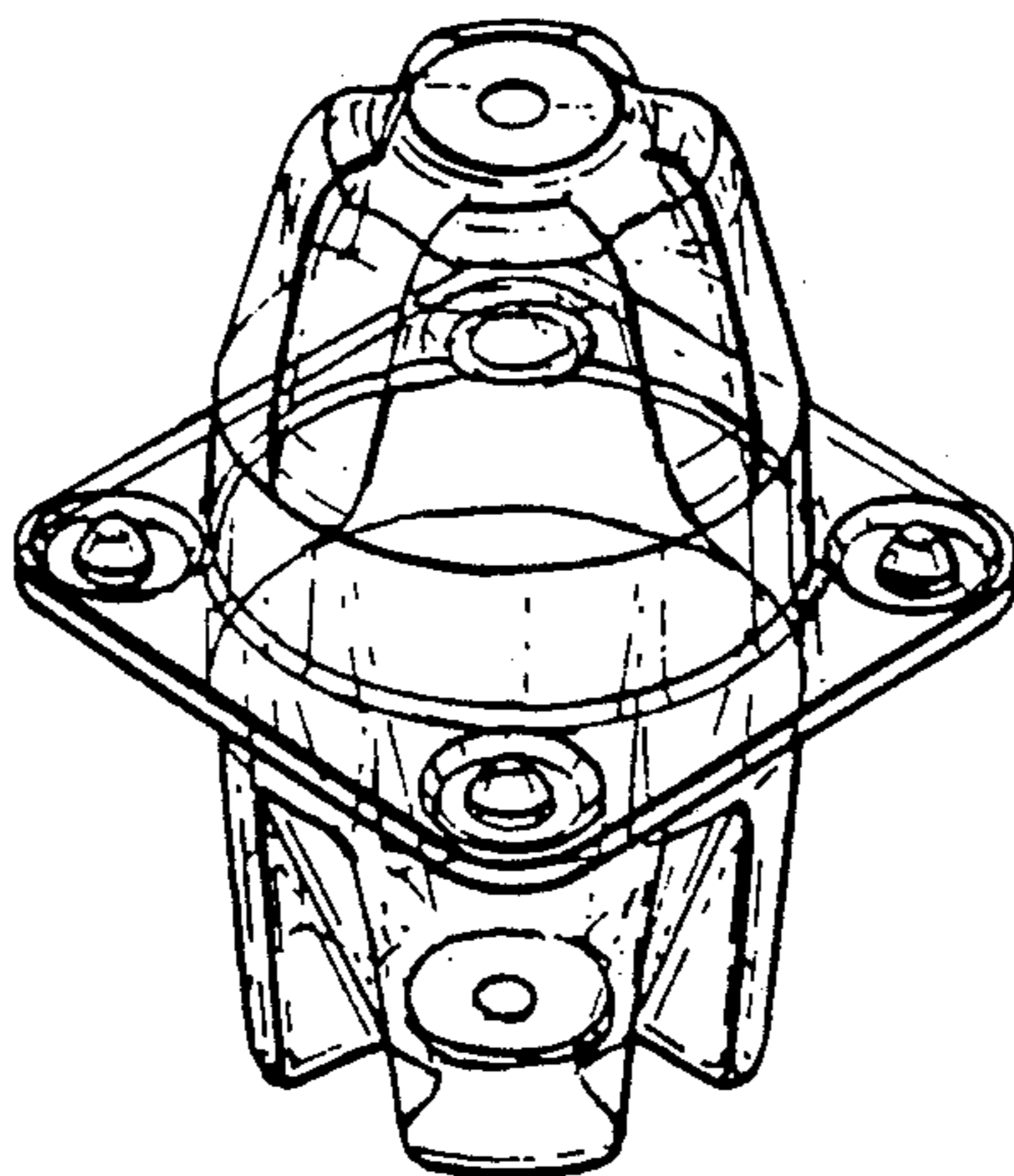
Primary Examiner—Bernard Ansher
Assistant Examiner—Prabhakar Deshmukh
Attorney, Agent, or Firm—Spencer & Frank

[57] **CLAIM**

The ornamental design for an egg packaging container, as shown and described.

DESCRIPTION

FIG. 1 is a perspective view of a egg packaging container showing my new design;
FIG. 2 is a elevation thereof;
FIG. 3 is a bottom plan view thereof;
FIG. 4 is a perspective view of a second embodiment;
FIG. 5 is a elevation thereof;
FIG. 6 is a bottom plan view thereof;
FIG. 7 is a perspective plan of a third embodiment;
FIG. 8 is a elevation thereof; and
FIG. 9 is a bottom plan view thereof.



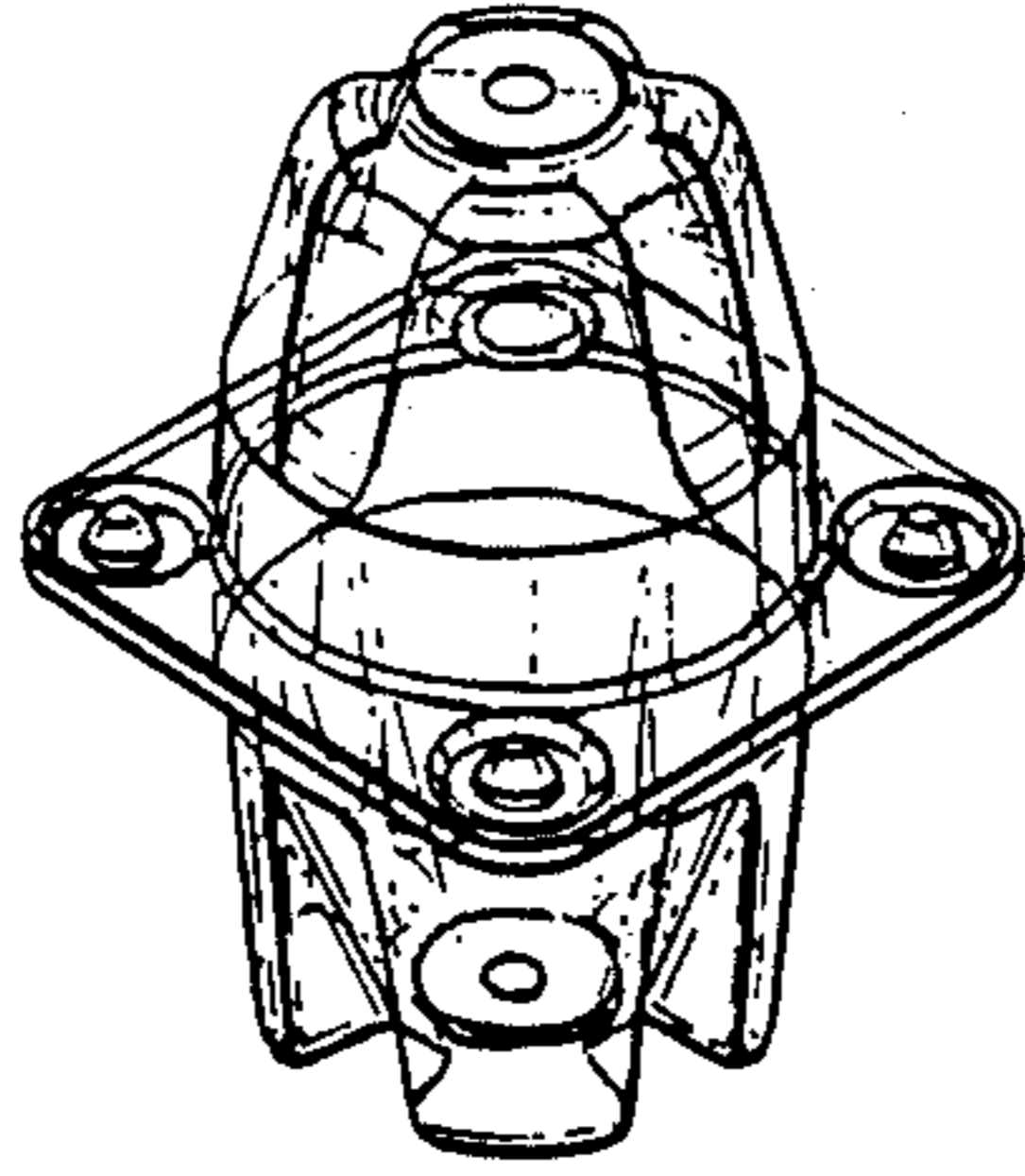


Fig. 1.

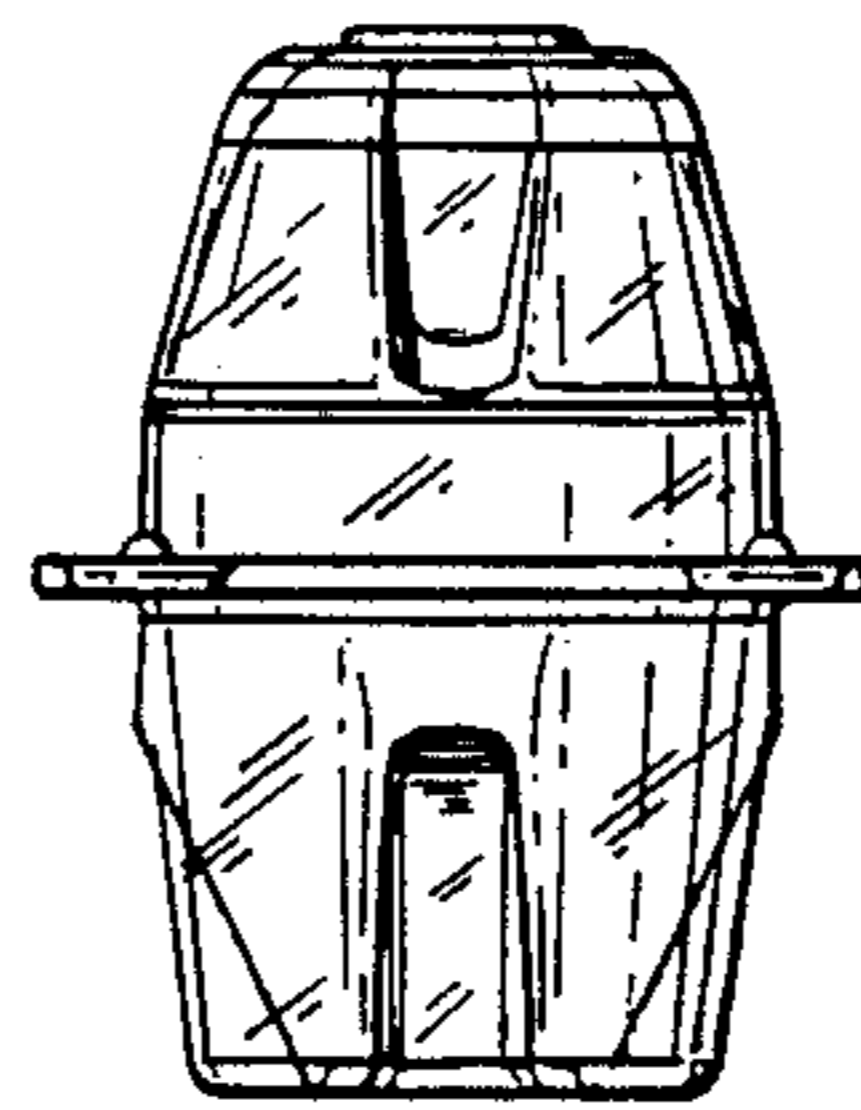


Fig. 2.

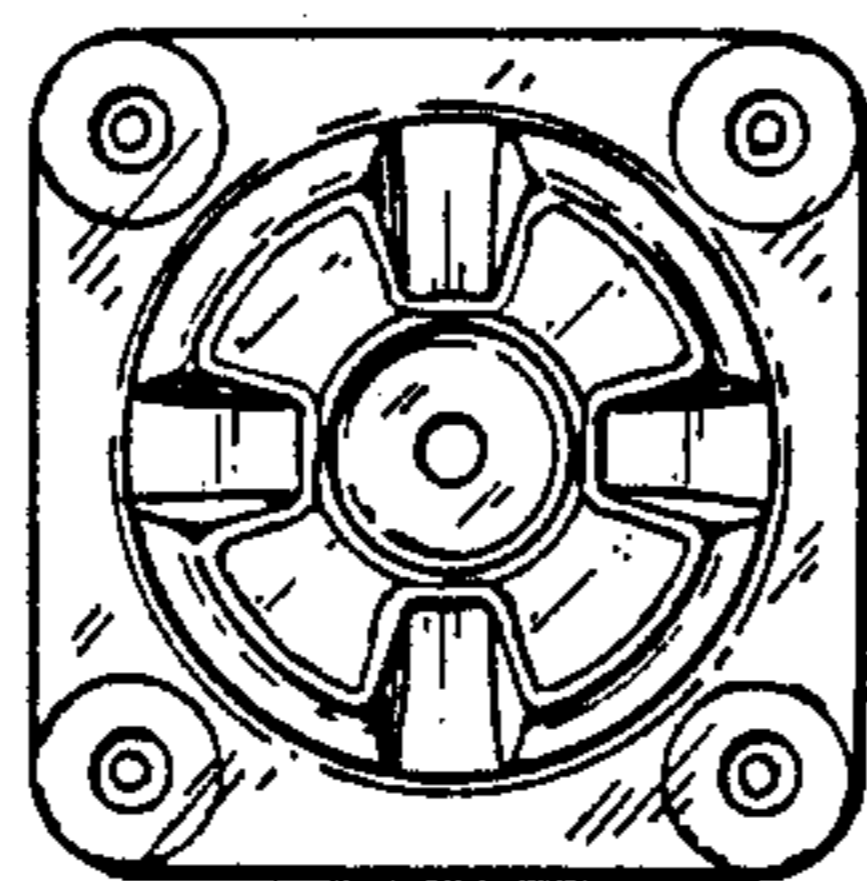


Fig. 3.

Fig. 4.

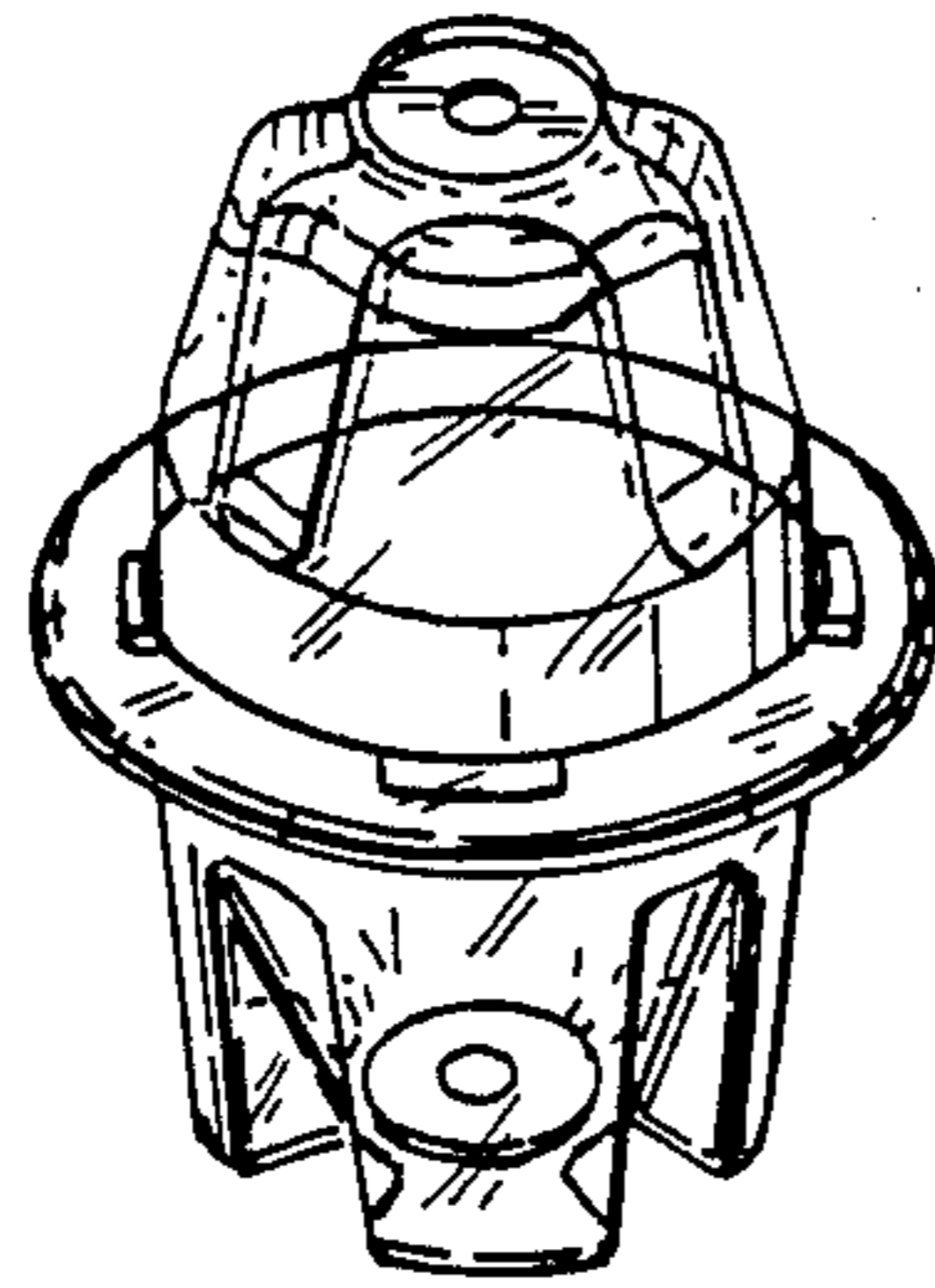


Fig. 5.

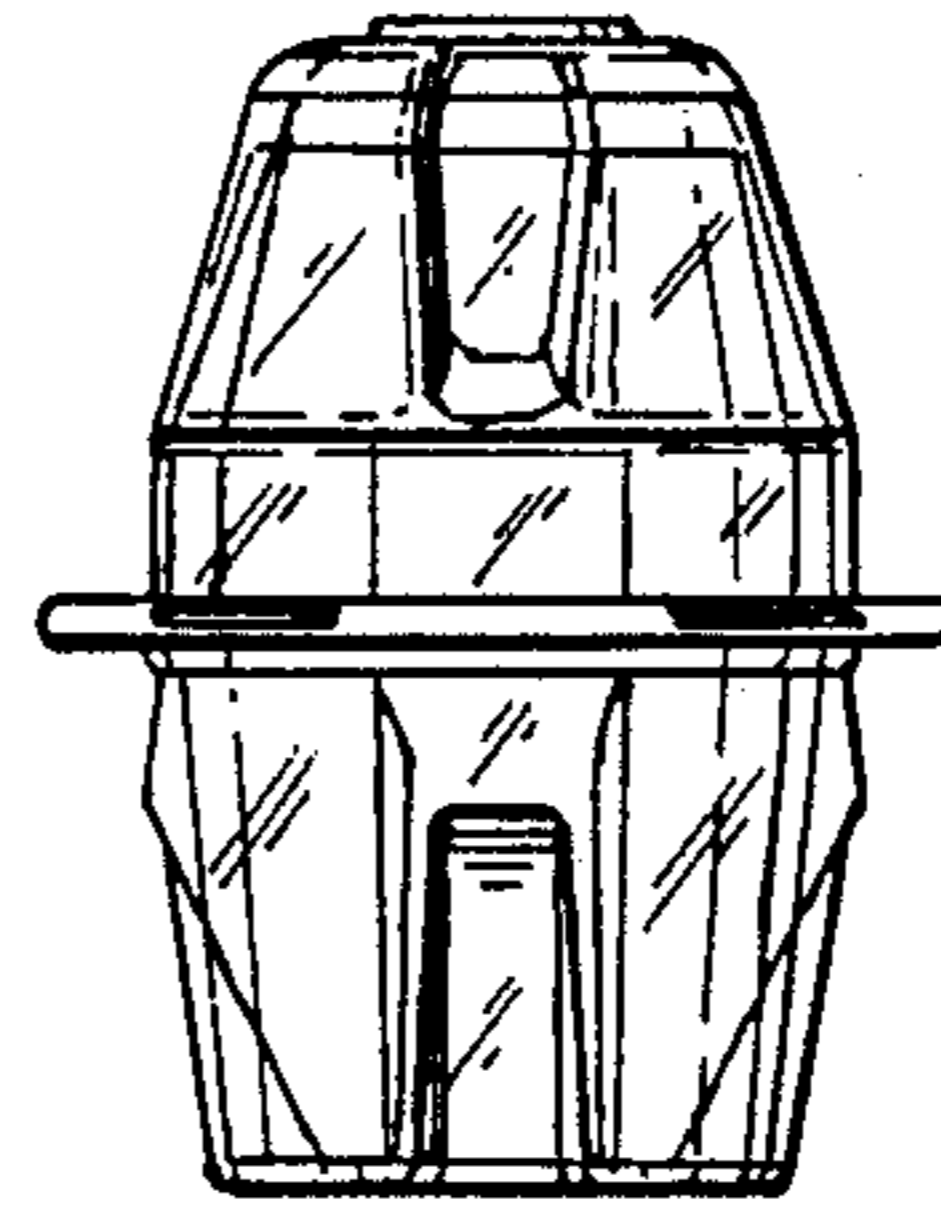


Fig. 6.

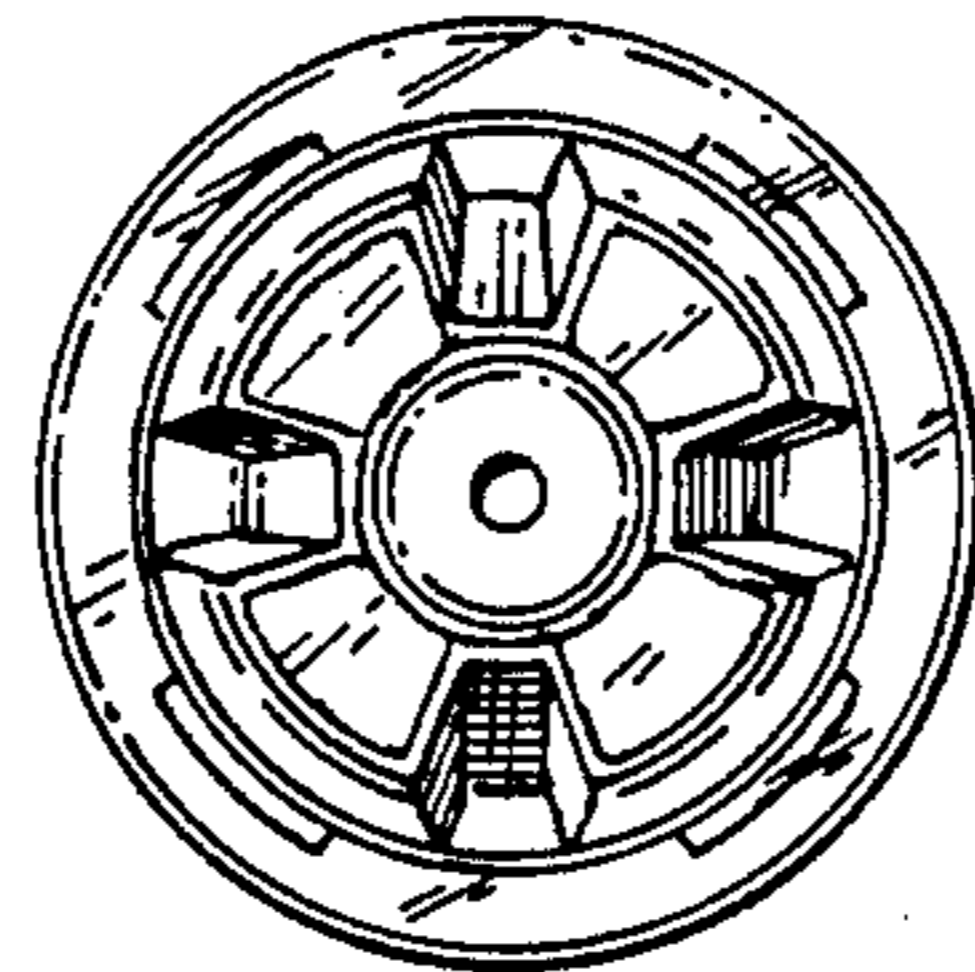


Fig. 7.

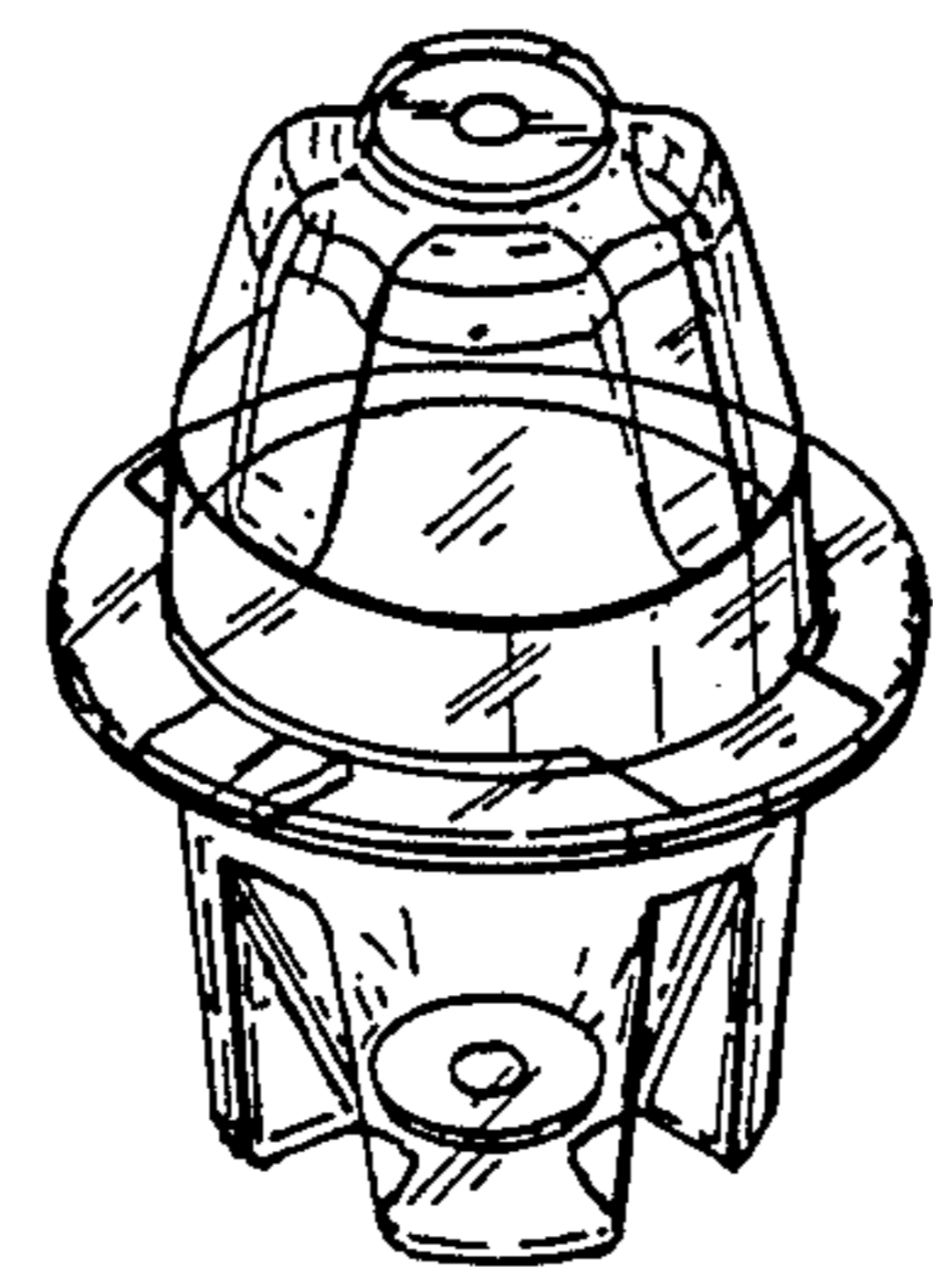


Fig. 8.

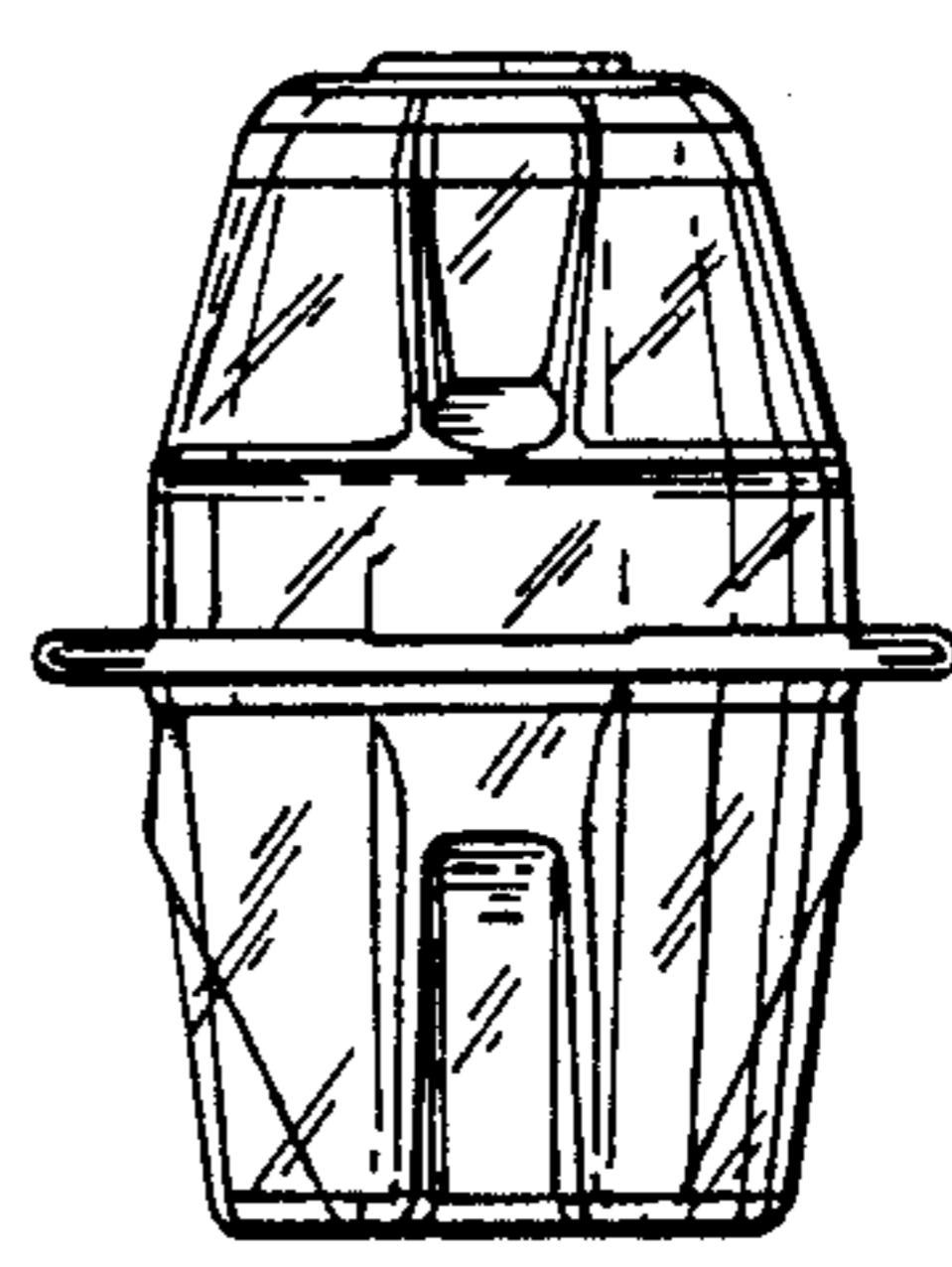


Fig. 9.

