

[54] **VENEER PIPE CLAMP**
[75] **Inventor: Ronald R. Hahn, Barrington, Ill.**
[73] **Assignee: Hahn Manufacturing Company, Franklin Park, Ill.**
[**] **Term: 14 Years**
[21] **Appl. No.: 16,052**
[22] **Filed: Feb. 18, 1987**
[52] **U.S. Cl. D8/72; D8/71**
[58] **Field of Search D8/71-74, D8/394, 396; D15/140; 269/43, 71, 73, 140, 147, 95, 97**

[56] **References Cited**
U.S. PATENT DOCUMENTS
D. 291,528 8/1987 Degen D8/71

4,093,394 6/1978 Adams D15/140 X

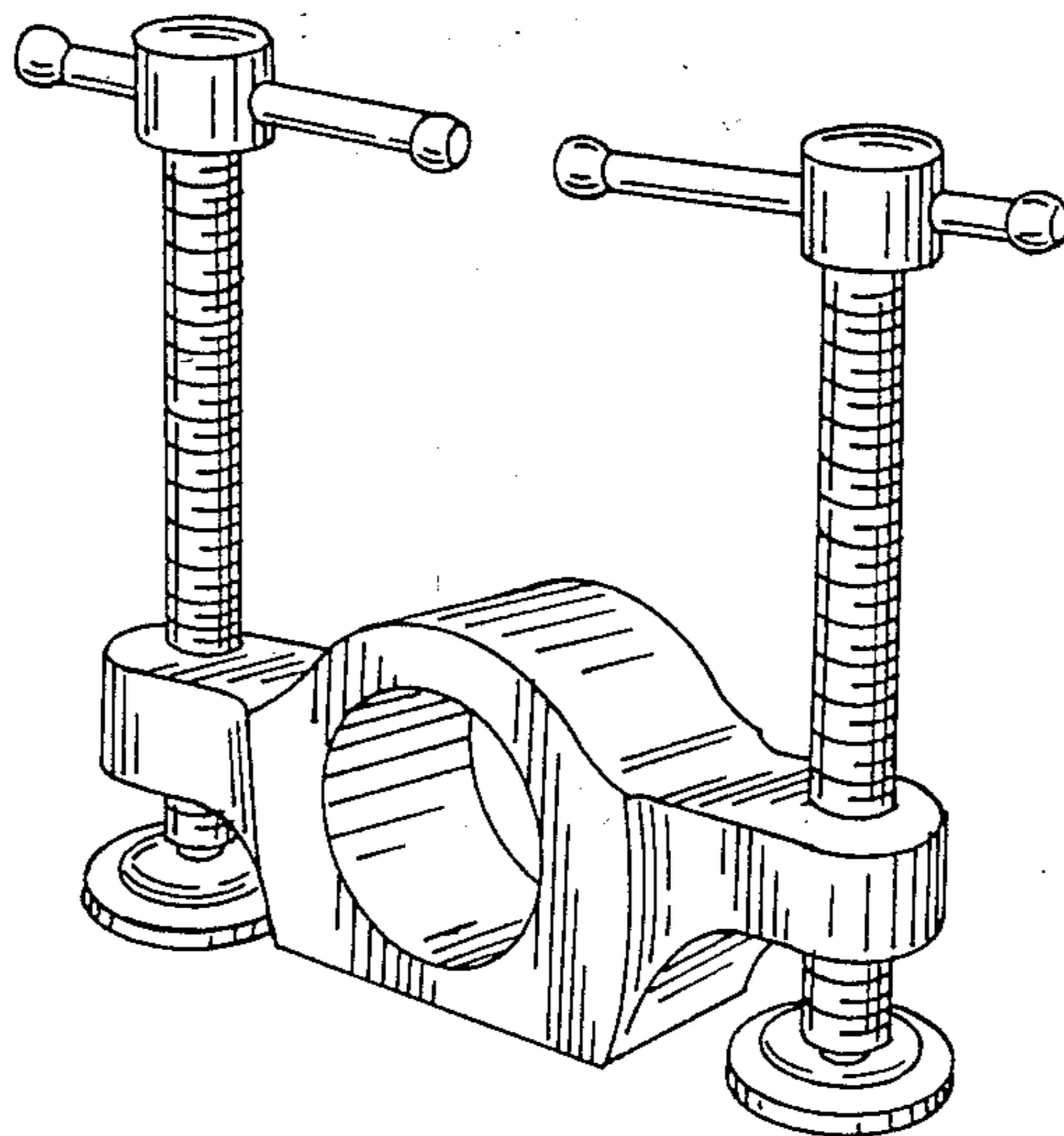
Primary Examiner—Winifred E. Herrmann
Assistant Examiner—John Warchol
Attorney, Agent, or Firm—Welsh & Katz, Ltd.

[57] **CLAIM**

The ornamental design for a veneer pipe clamp, as shown and described.

DESCRIPTION

FIG. 1 is a top front perspective view of a veneer pipe clamp showing my new design;
FIG. 2 is a front elevational view thereof, the rear is identical;
FIG. 3 is a side elevational view thereof, the other side is identical;
FIG. 4 is a top plan view thereof; and
FIG. 5 is a bottom plan view thereof.



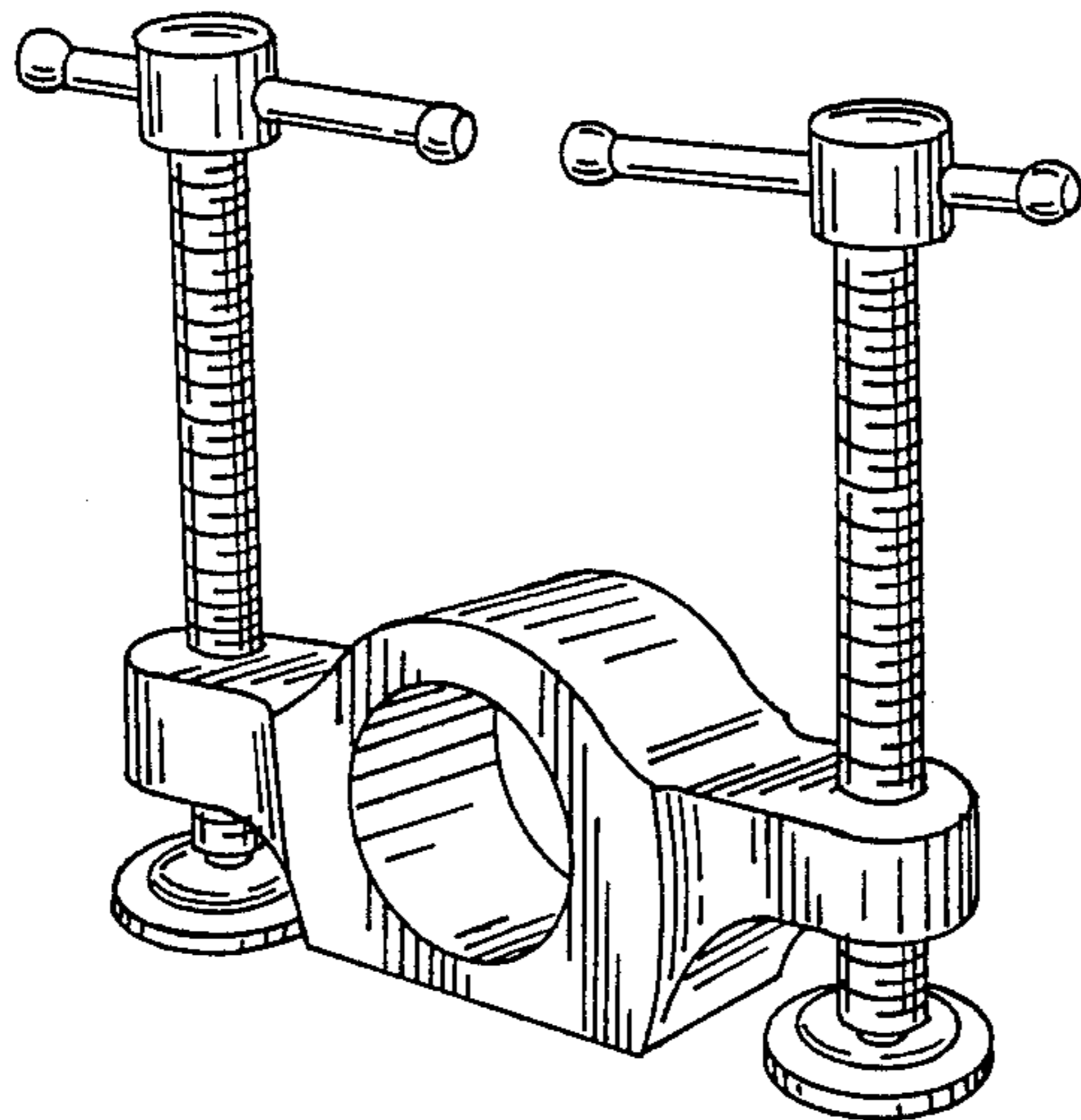


FIG. 1.

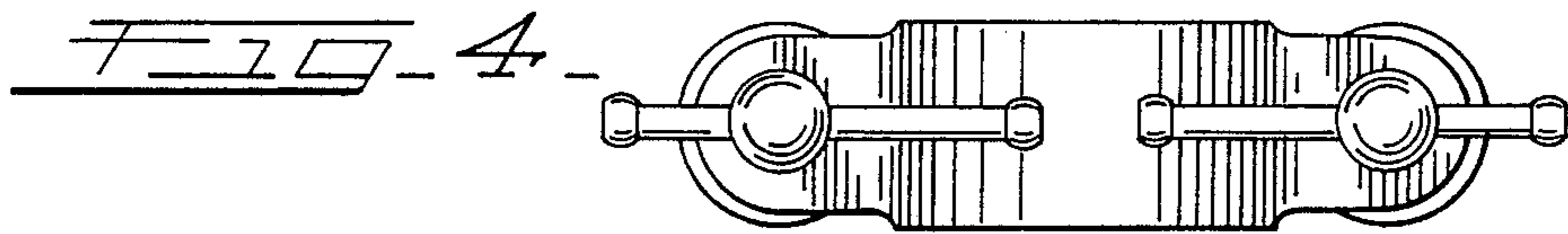


FIG. 4.

FIG. 3.

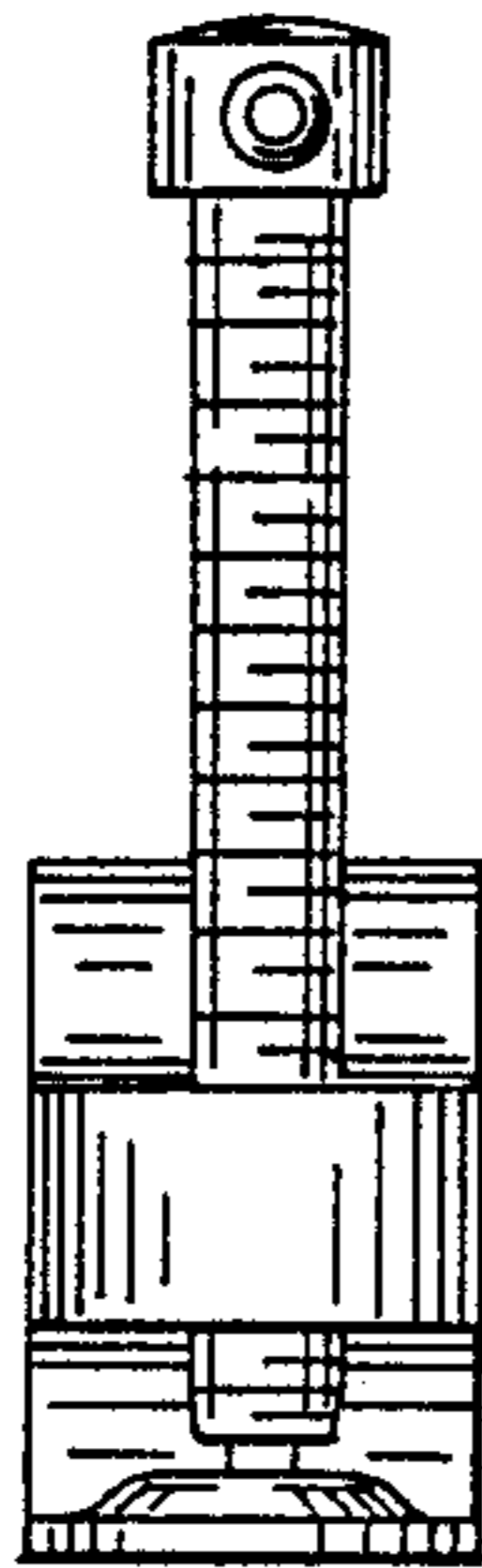


FIG. 2.

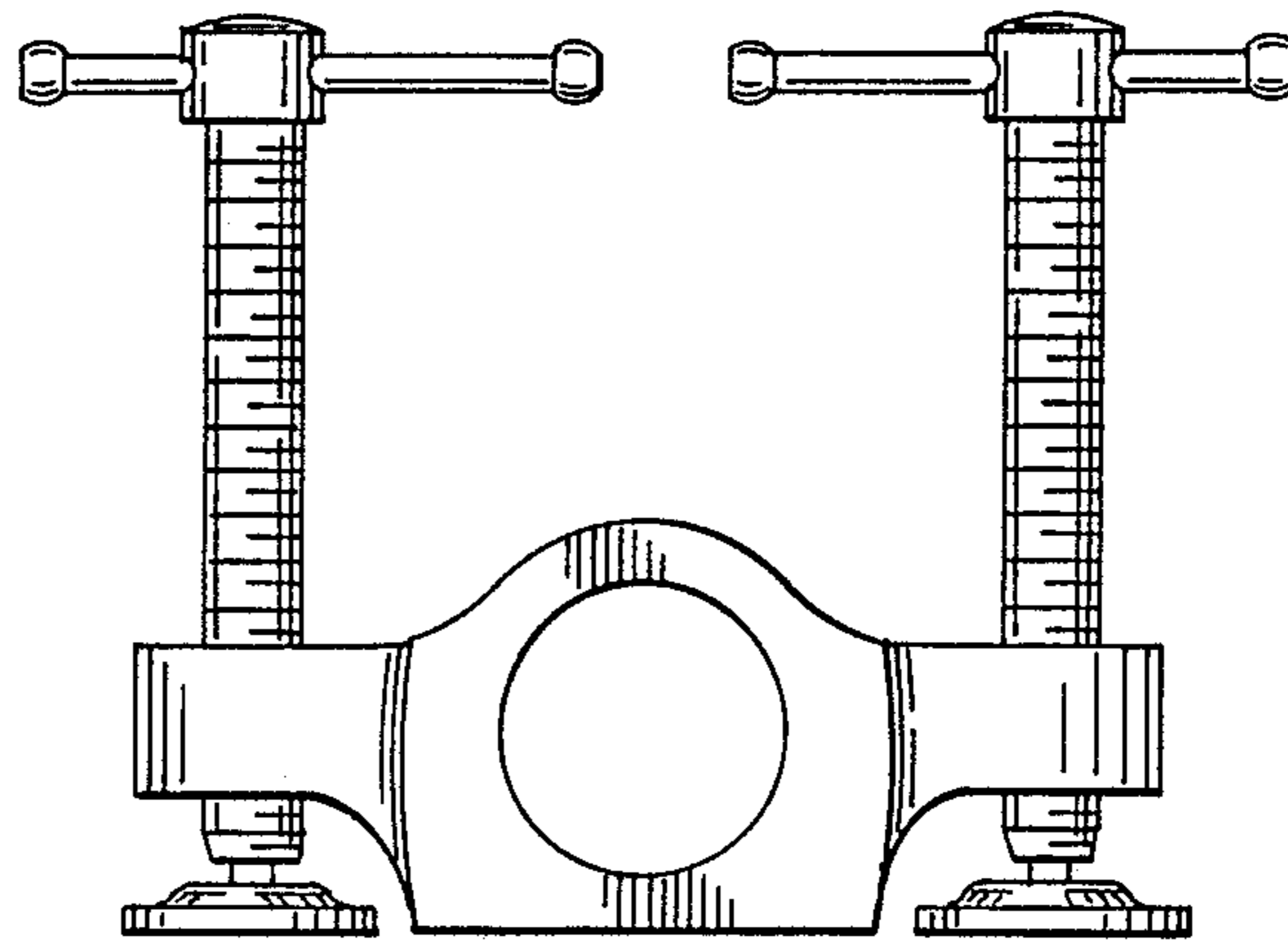


FIG. 5.

