

[54] CHIP-COLLECTING ATTACHMENT FOR A HAND-HELD AIR DRILL

[76] Inventor: George G. Andrews, 1115 N. Cooper St., Arlington, Tex. 76011

[\*\*] Term: 14 Years

[21] Appl. No.: 850,929

[22] Filed: Apr. 9, 1986

[52] U.S. Cl. .... D8/70; D8/61; D8/71

[58] Field of Search ..... D8/61, 70, 71; D15/138, D15/139; 408/95, 97, 100, 110, 112

[56] References Cited

U.S. PATENT DOCUMENTS

D. 246,947	1/1978	Glover .....	D8/71
2,670,638	3/1954	Roy, Sr. ....	408/112
2,994,235	8/1961	Rise .....	408/112
4,097,176	6/1978	Wanner et al. ....	408/112

Primary Examiner—Winifred E. Herrmann  
Assistant Examiner—John Warchol  
Attorney, Agent, or Firm—Charles W. McHugh

[57] CLAIM

The ornamental design for a chip-collecting attachment for a hand-held air drill, as shown and described.

DESCRIPTION

FIG. 1 is a top, front and right side perspective view of a chip-collecting attachment for a hand-held air drill showing my new design;

FIG. 2 is a sectional view thereof taken on line 2—2 of FIG. 1;

FIG. 3 is a front elevational view thereof;

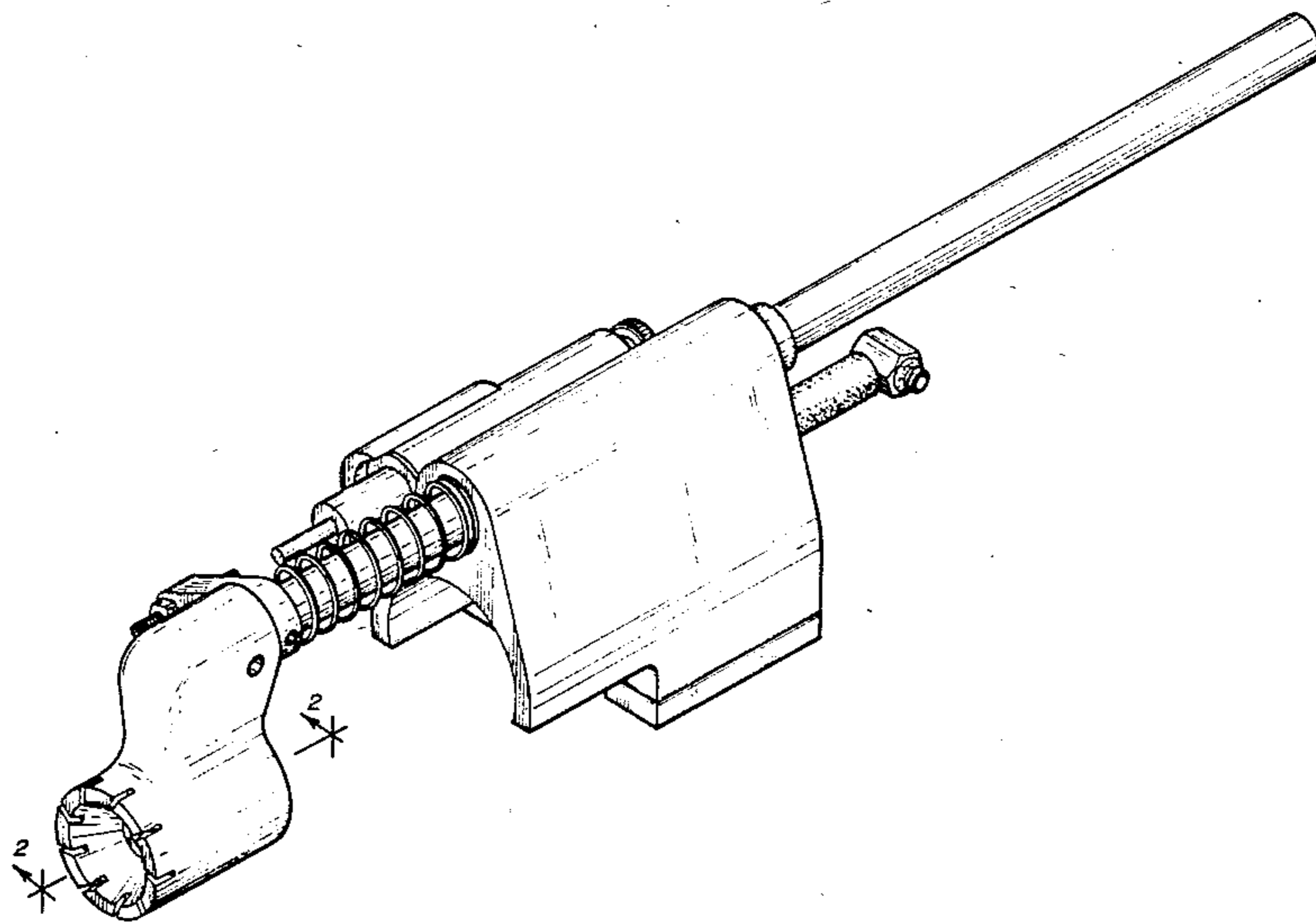
FIG. 4 is a rear elevational view thereof;

FIG. 5 is a top plan view thereof;

FIG. 6 is a right side elevational view thereof;

FIG. 7 is a left side elevational view thereof; and

FIG. 8 is a bottom plan view thereof.



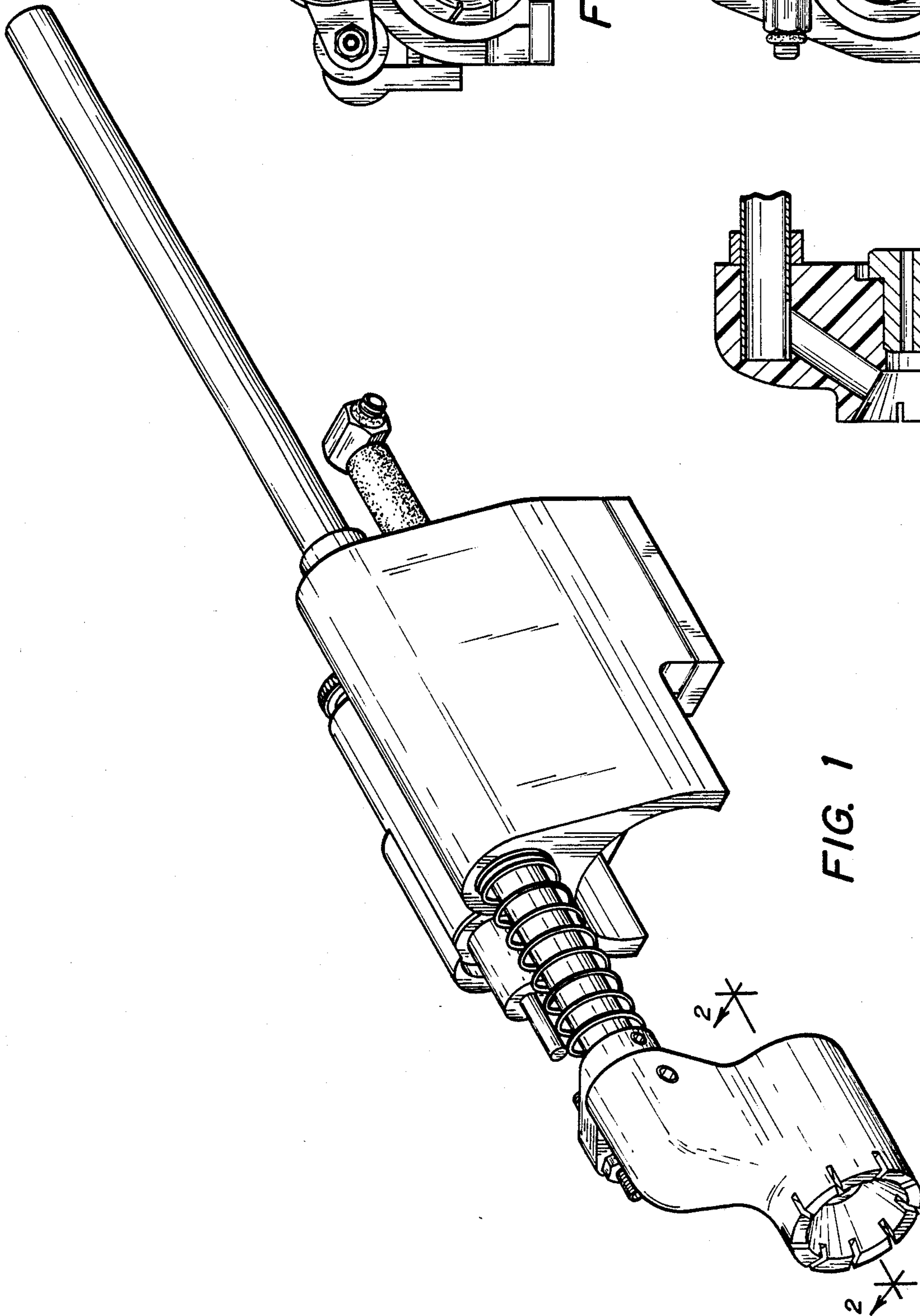


FIG. 1

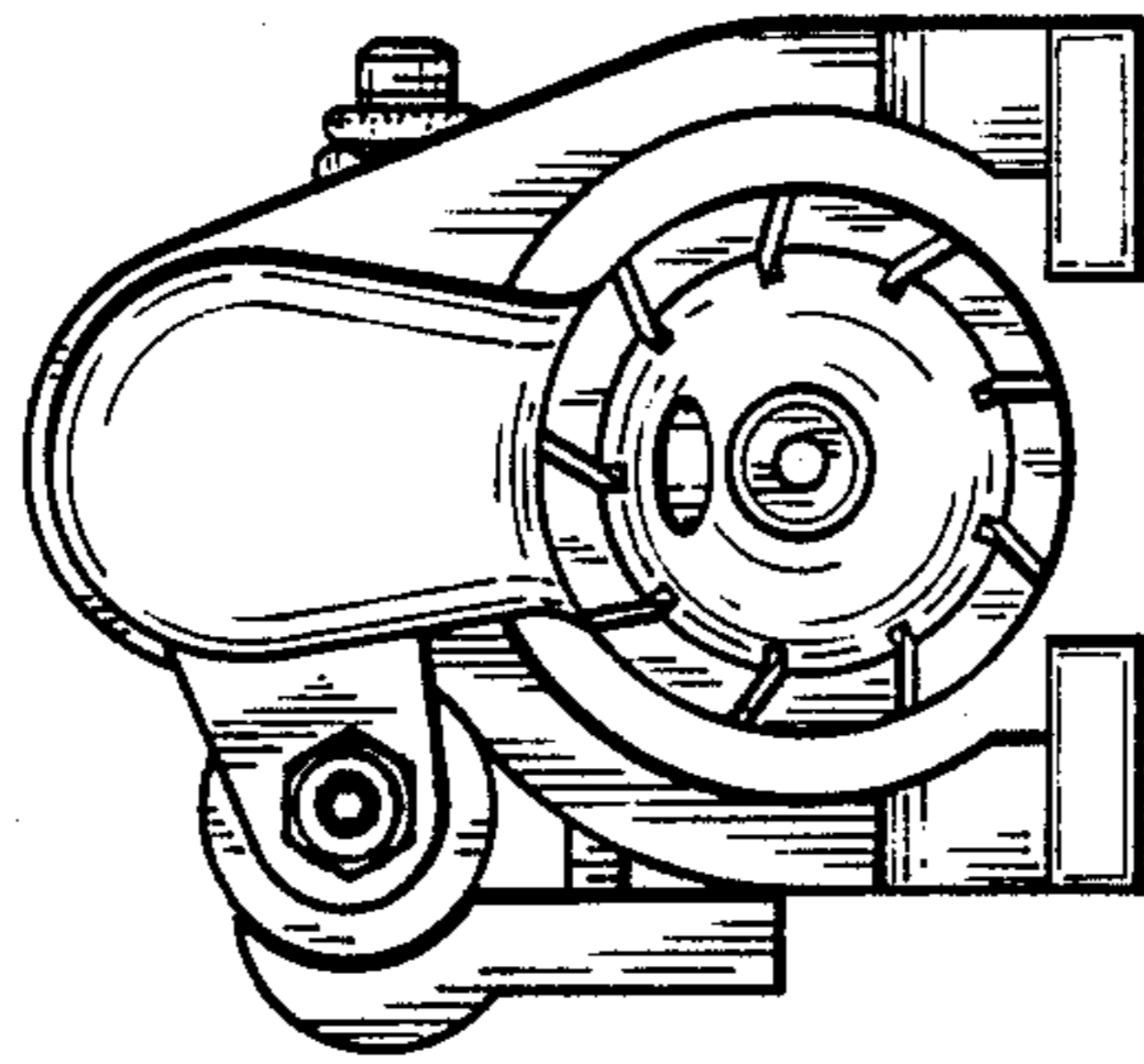


FIG. 3

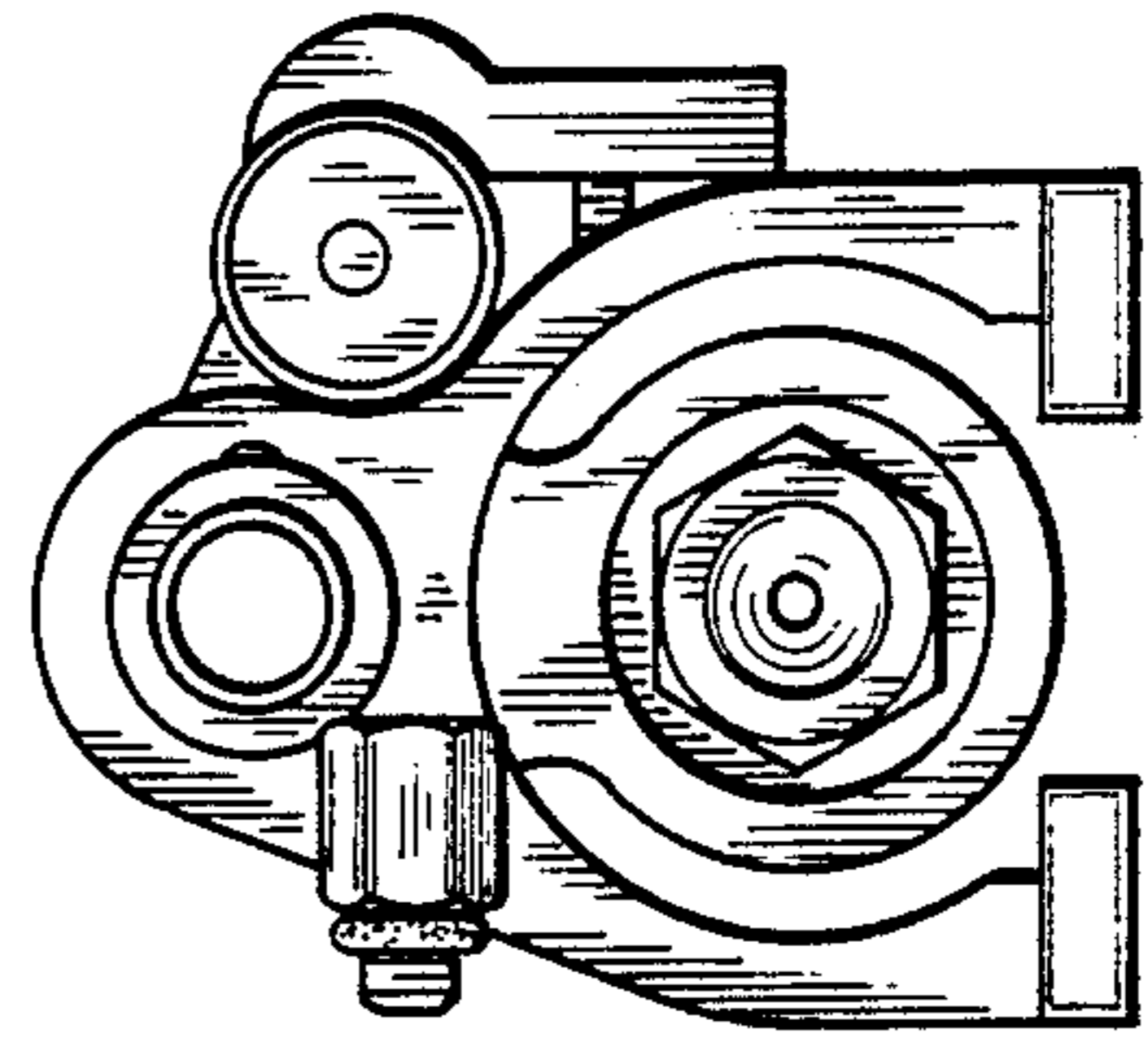


FIG. 4

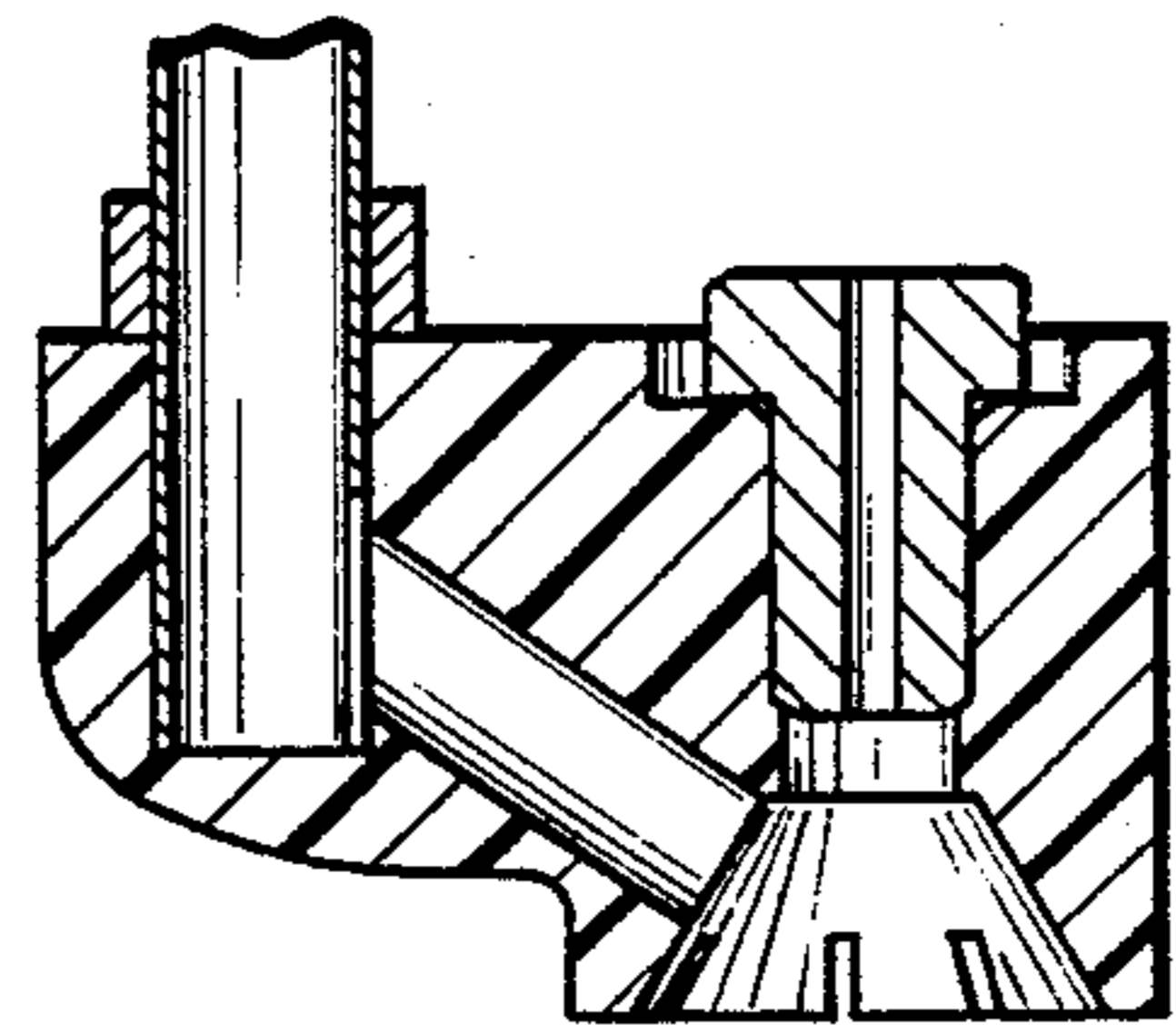


FIG. 2

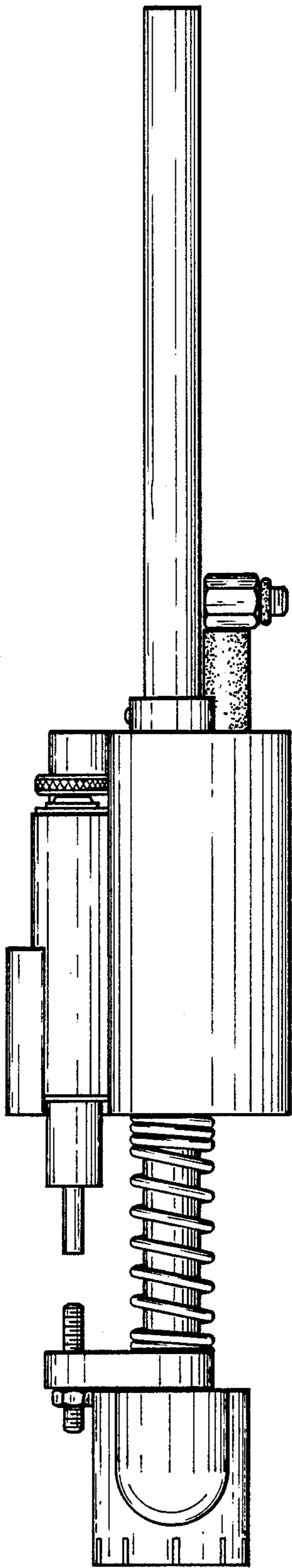


FIG. 5

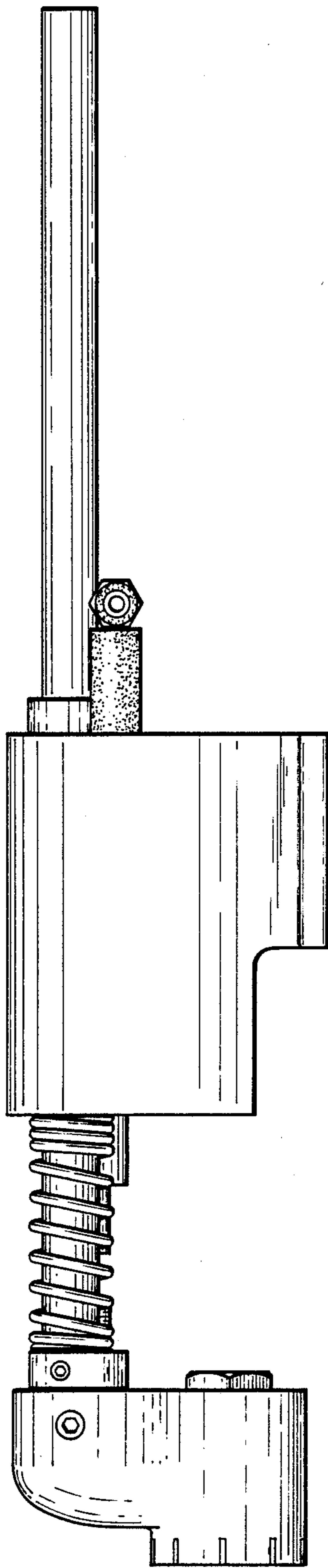


FIG. 6

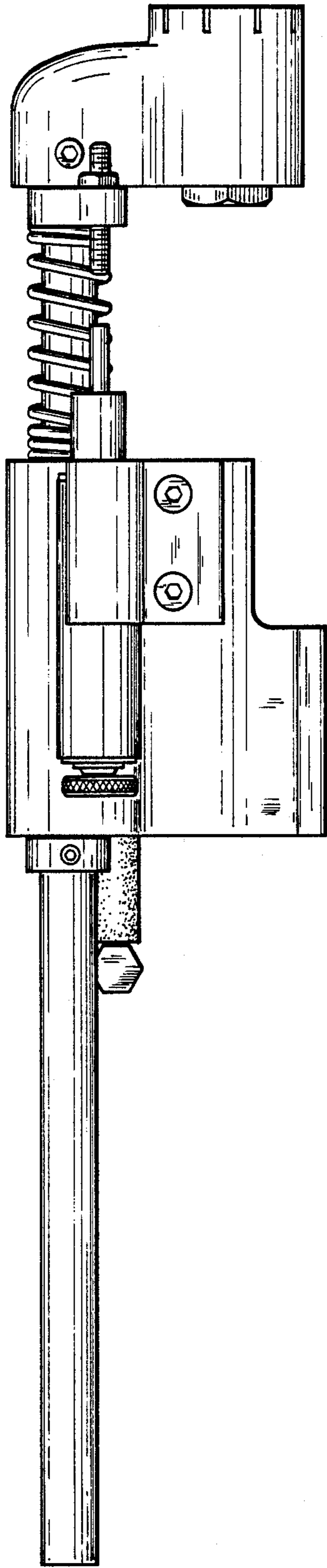


FIG. 7

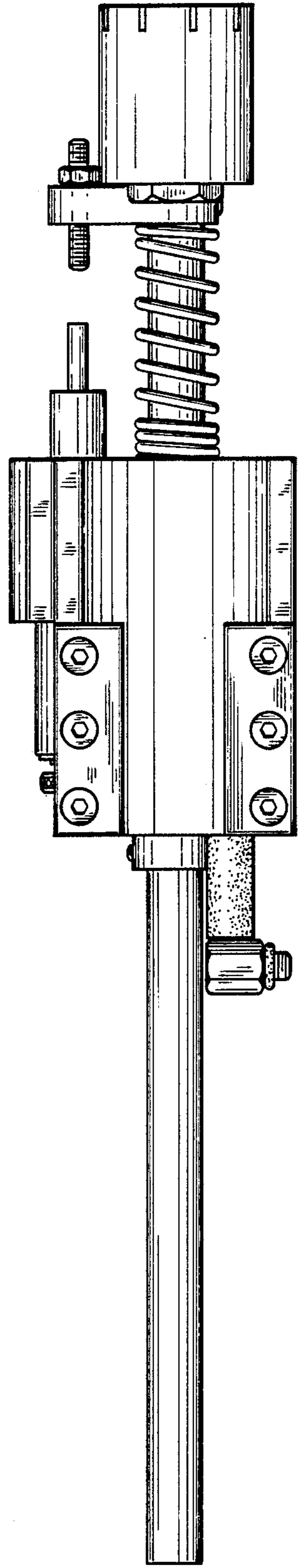


FIG. 8