

United States Patent [19]

Cavedo

[11] Patent Number: **Des. 305,606**

[45] Date of Patent: **** Jan. 23, 1990**

[54] **POWER PLANER**

[75] Inventor: **Robert P. Cavedo, Easley, S.C.**

[73] Assignee: **Ryobi Motor Products Corp.,
Pickens, S.C.**

[**] Term: **14 Years**

[21] Appl. No.: **44,279**

[22] Filed: **Apr. 30, 1987**

[52] U.S. Cl. **D8/61; D8/62;
D8/67**

[58] Field of Search **D8/61, 62, 67, 69, 70,
D8/90-93; 51/170 T, 170 R, 170 TL, 170 EB,
170 MT, 177, 370-372, 391-393, 384; 29/80, 81
J, 81 K, 81 L**

[56] **References Cited**

U.S. PATENT DOCUMENTS

D. 166,045 2/1952 Moore D8/62

D. 235,614 7/1975 Taylor D8/62
1,057,942 4/1913 Crothers 29/80
1,083,297 1/1914 Richardson 29/80

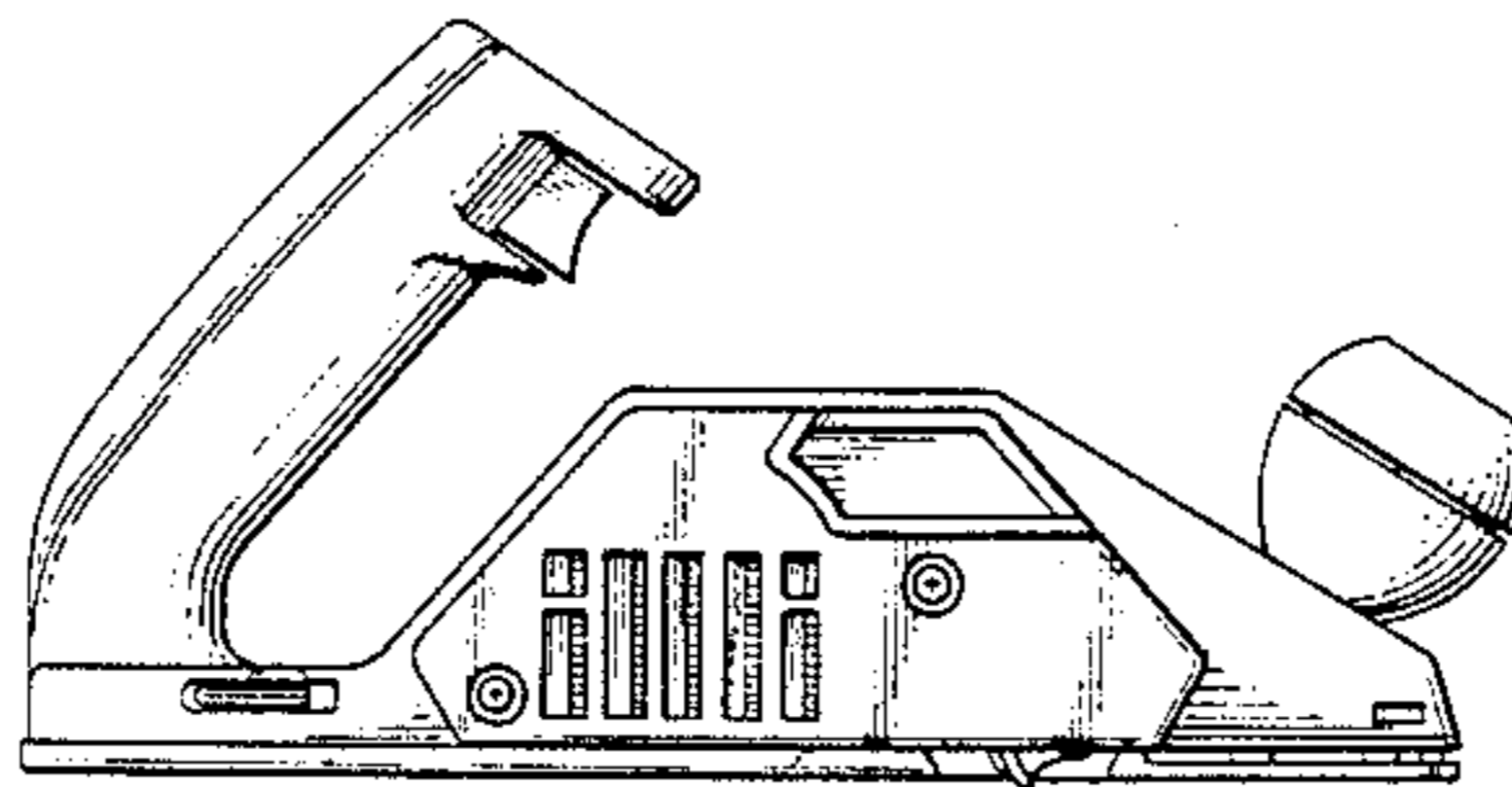
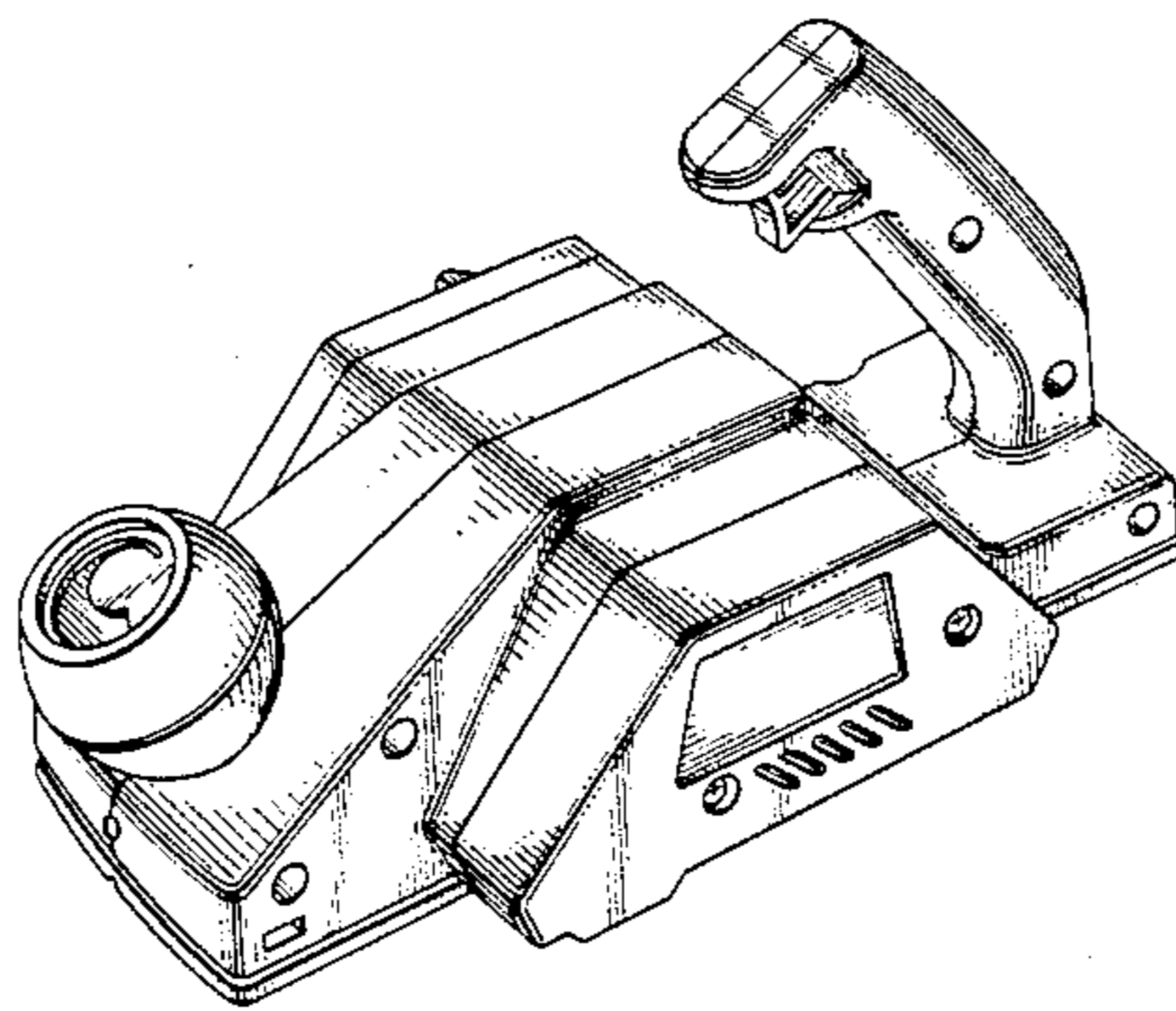
Primary Examiner—Nelson C. Holtje
Assistant Examiner—Clare E. Heflin
Attorney, Agent, or Firm—David L. Davis

[57] **CLAIM**

The ornamental design for a power planer, as shown and described.

DESCRIPTION

FIG. 1 is a front perspective view of a power planer embodying my new design;
FIG. 2 is a right side elevational view thereof;
FIG. 3 is a top plan view thereof;
FIG. 4 is a left side elevational view thereof;
FIG. 5 is a front elevational view thereof;
FIG. 6 is a rear elevational view thereof; and
FIG. 7 is a bottom plan view thereof.



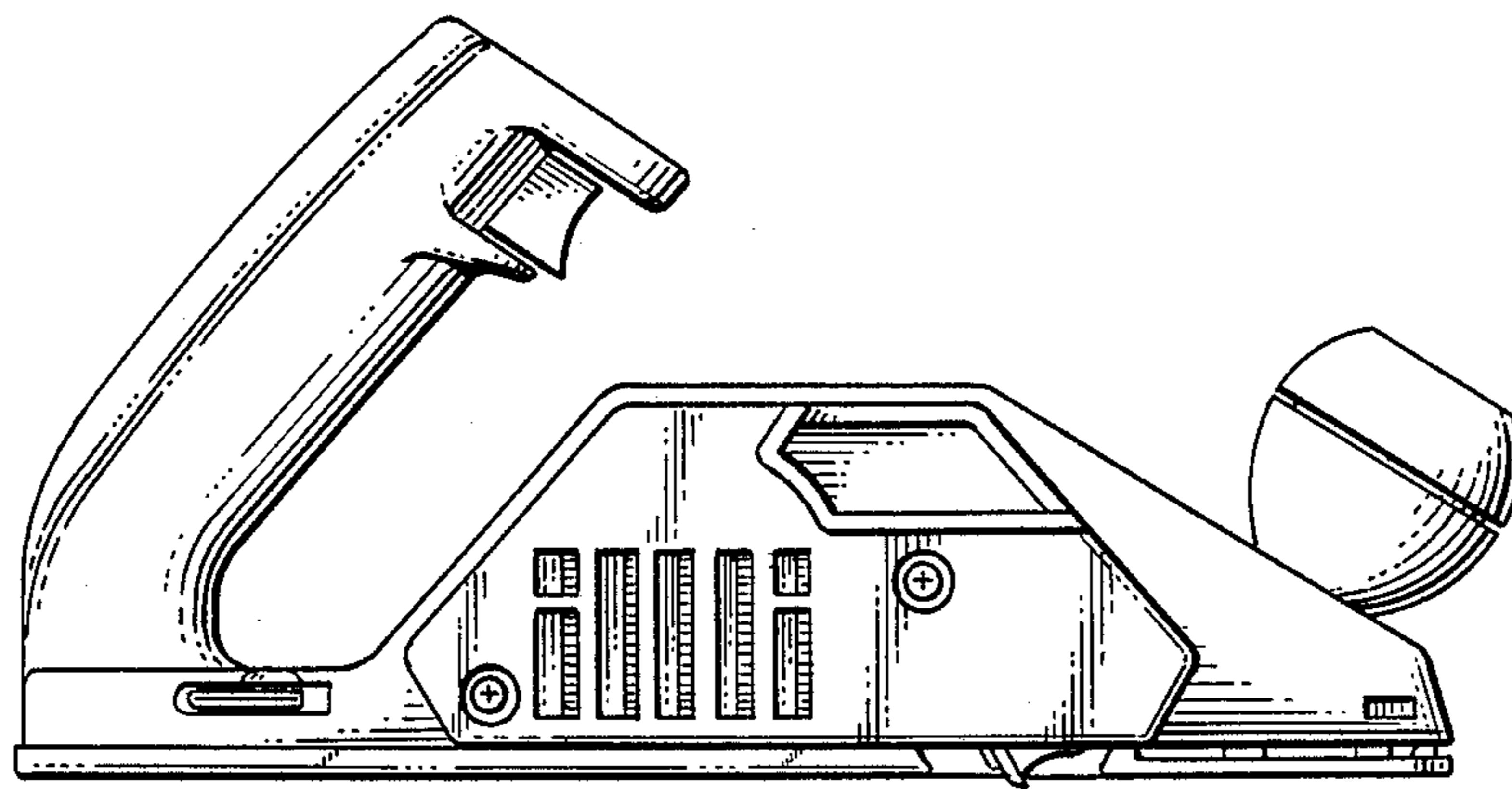
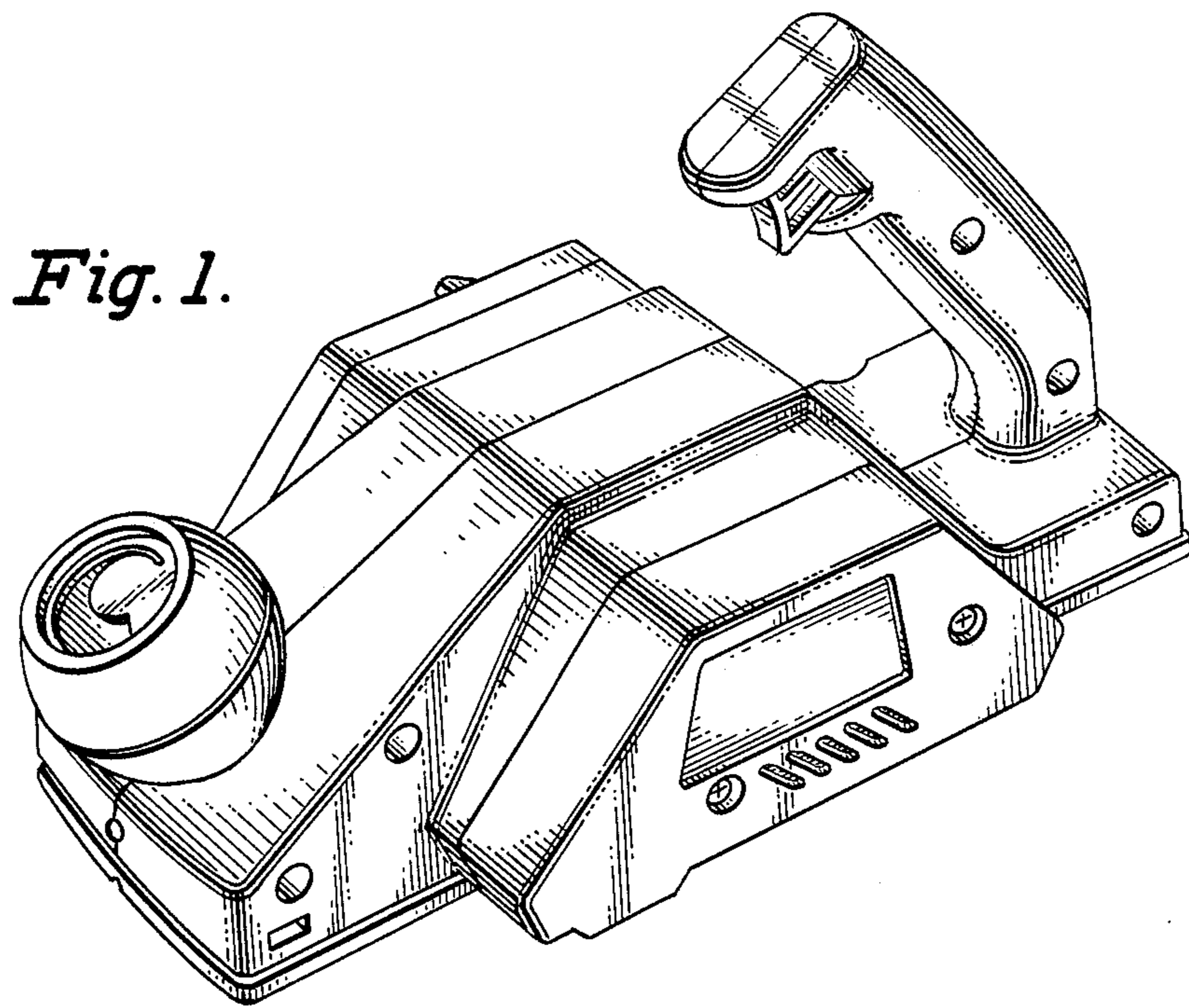


Fig. 2.

Fig. 3.

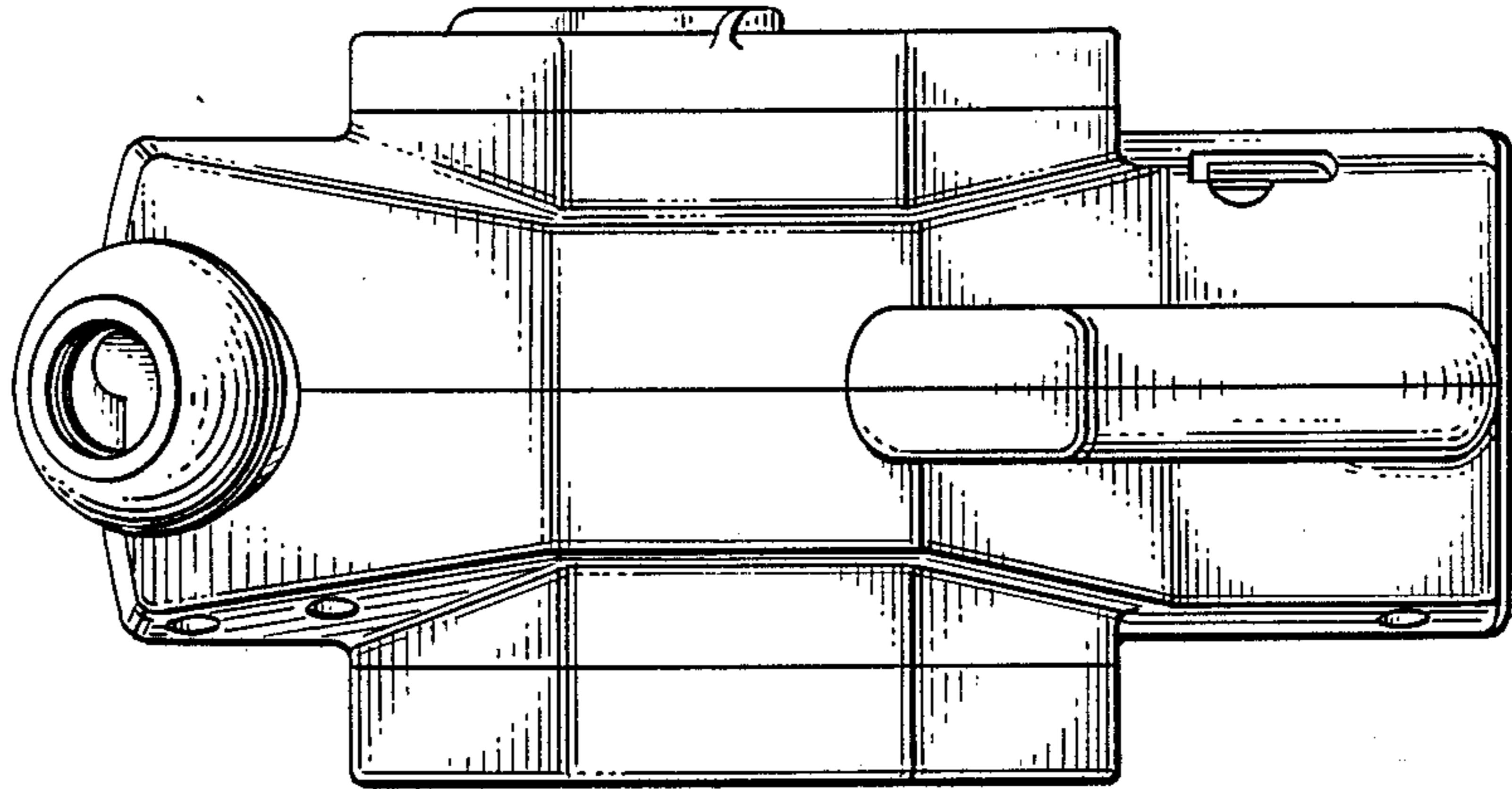


Fig. 4.

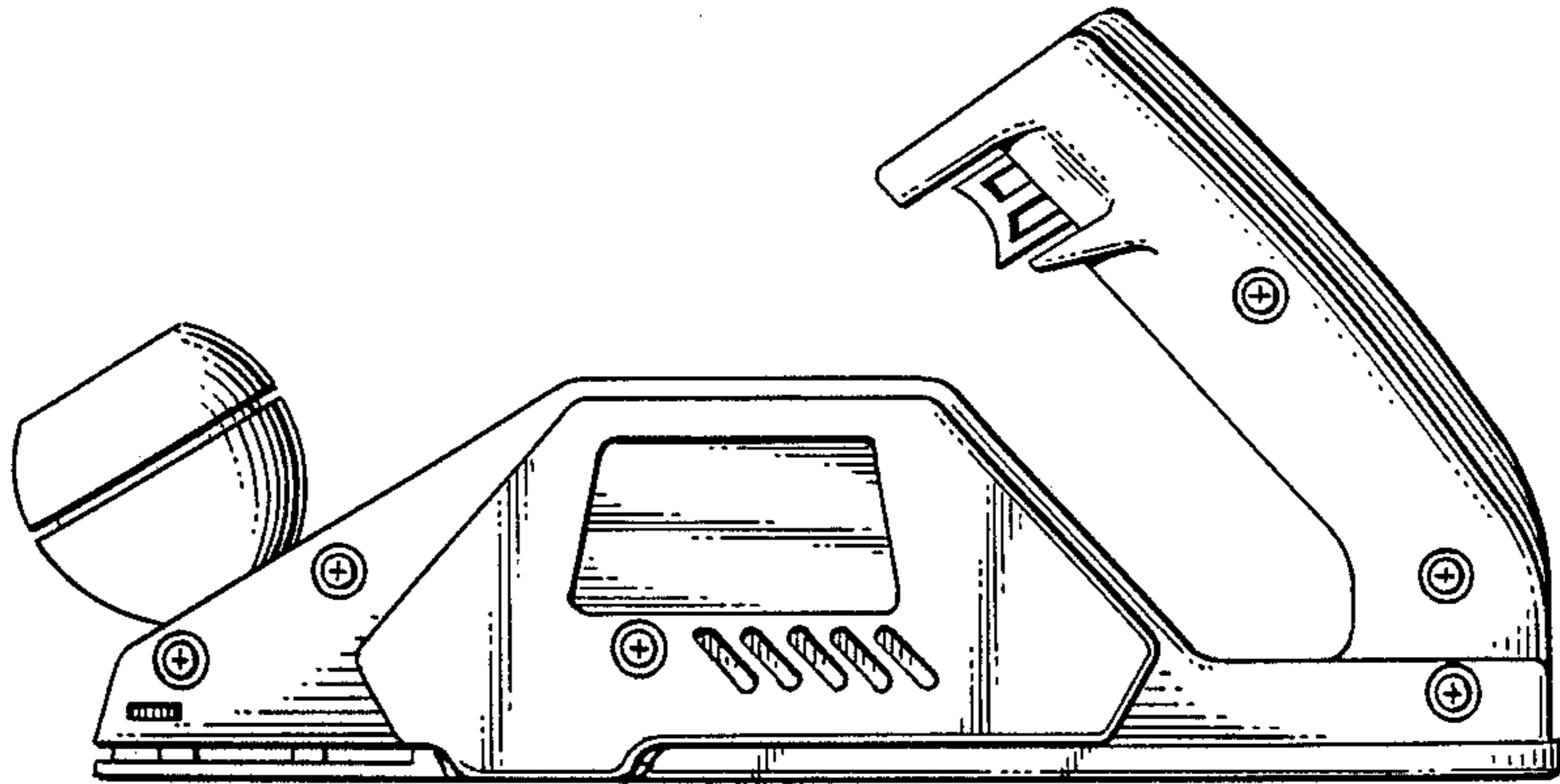


Fig. 5.

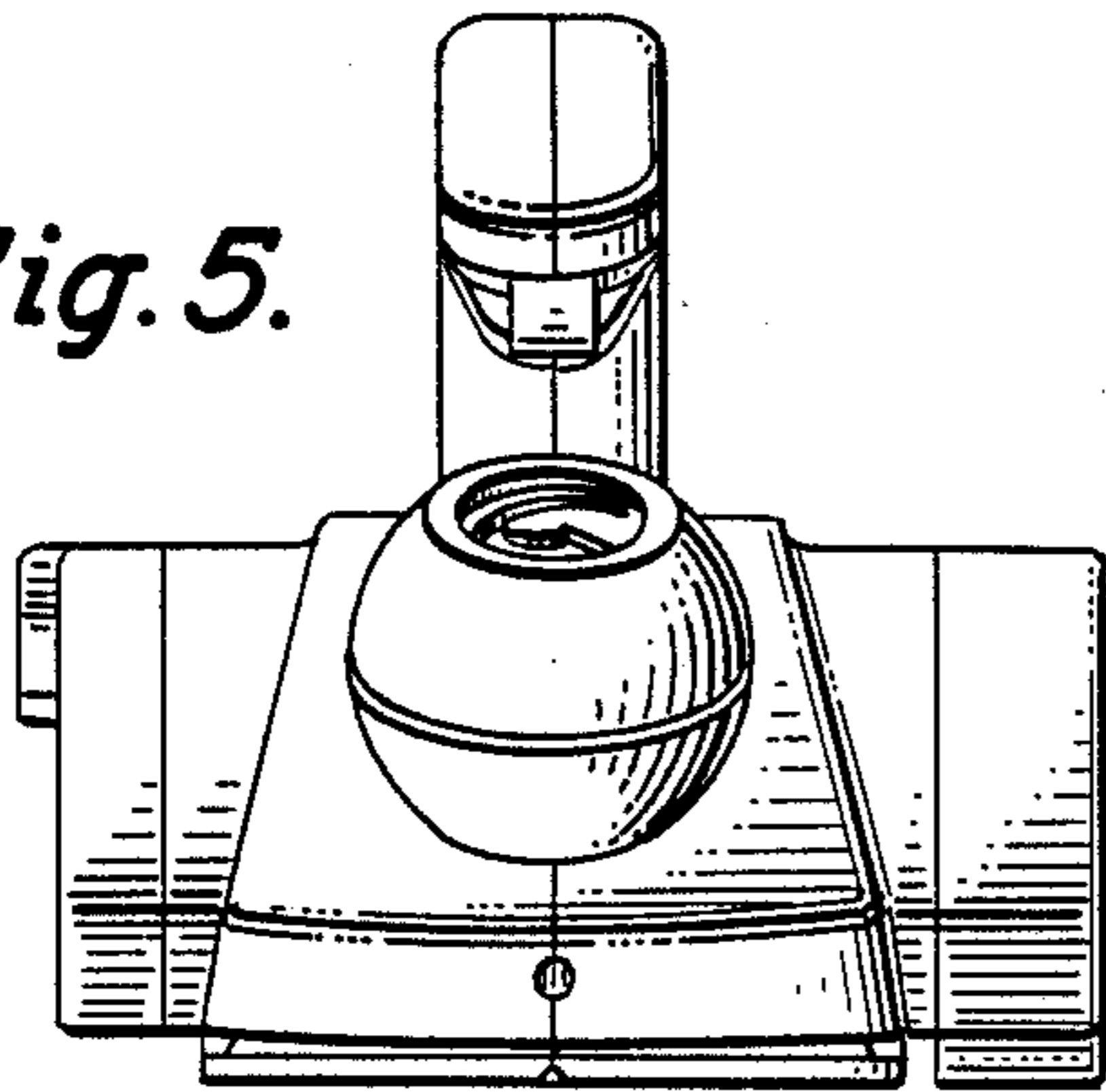


Fig. 6.

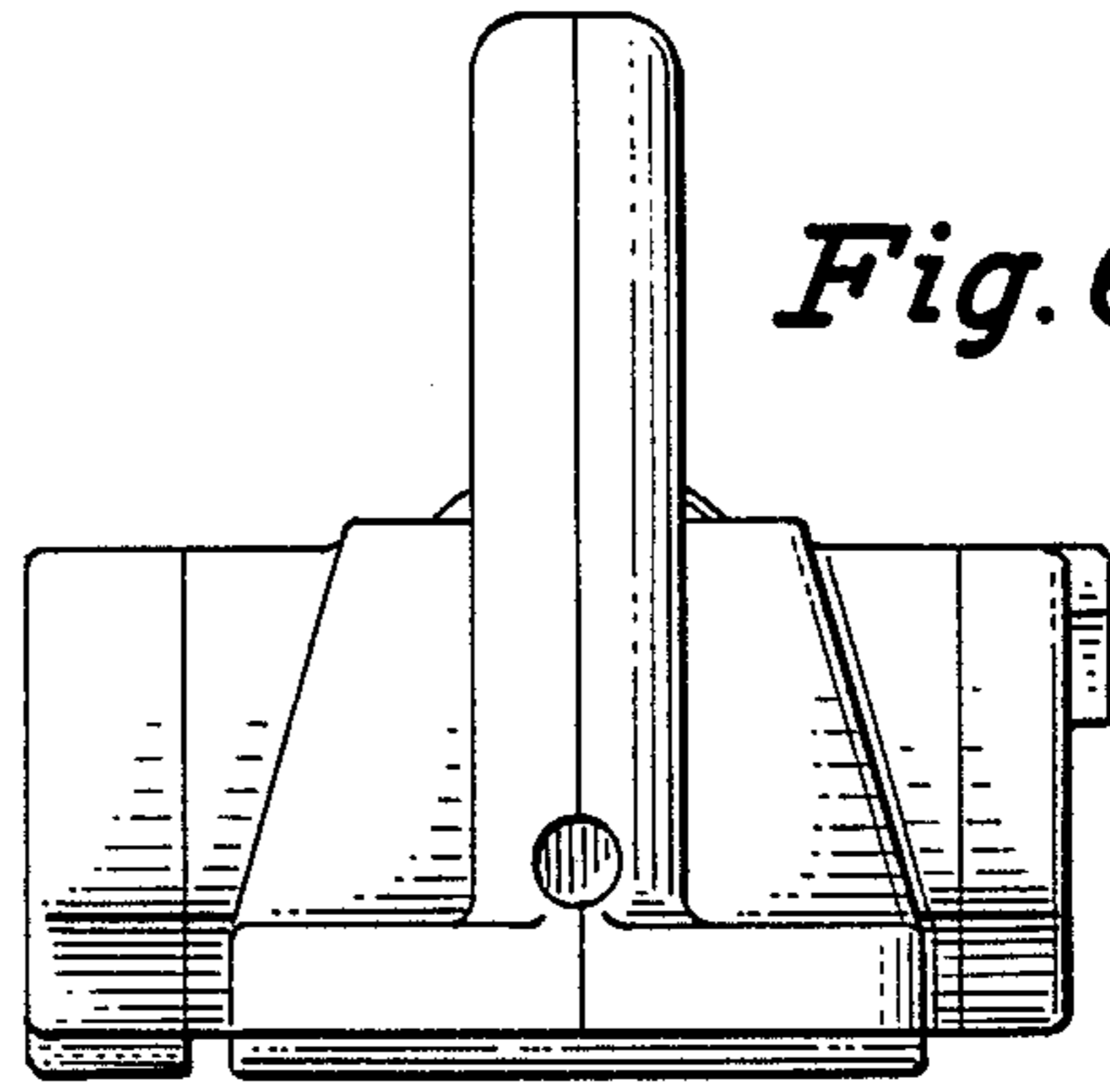


Fig. 7.

