

[54] STAPLER

[76] Inventor: Yoshiyuki Ebihara, 25-18, Kamiogi
4-chome, Suginami-ku, Tokyo, Japan

[**] Term: 14 Years

[21] Appl. No.: 934,147

[22] Filed: Nov. 24, 1986

[52] U.S. Cl. D8/50

[58] Field of Search D8/49, 50;
227/126-128, 132

[56] References Cited

U.S. PATENT DOCUMENTS

D. 191,646 10/1961 Ruskin et al. D8/50

Primary Examiner—Bernard Ansher
Assistant Examiner—Terry A. Pfeffer

Attorney, Agent, or Firm—Abelman Frayne Rezac &
Schwab

[57] CLAIM

The ornamental design for a stapler, as shown and de-
scribed.

DESCRIPTION

FIG. 1 is a front elevational view of a stapler showing
my new design, the opposite side being a mirror image;
FIG. 2 is a top plan view thereof;
FIG. 3 is a bottom plan view thereof;
FIG. 4 is a left side elevational view thereof;
FIG. 5 is a right side elevational view thereof;
FIG. 6 is a perspective view thereof; and,
FIG. 7 is a perspective view thereof with a staple maga-
zine shown in broken lines for illustrative purposes
only.

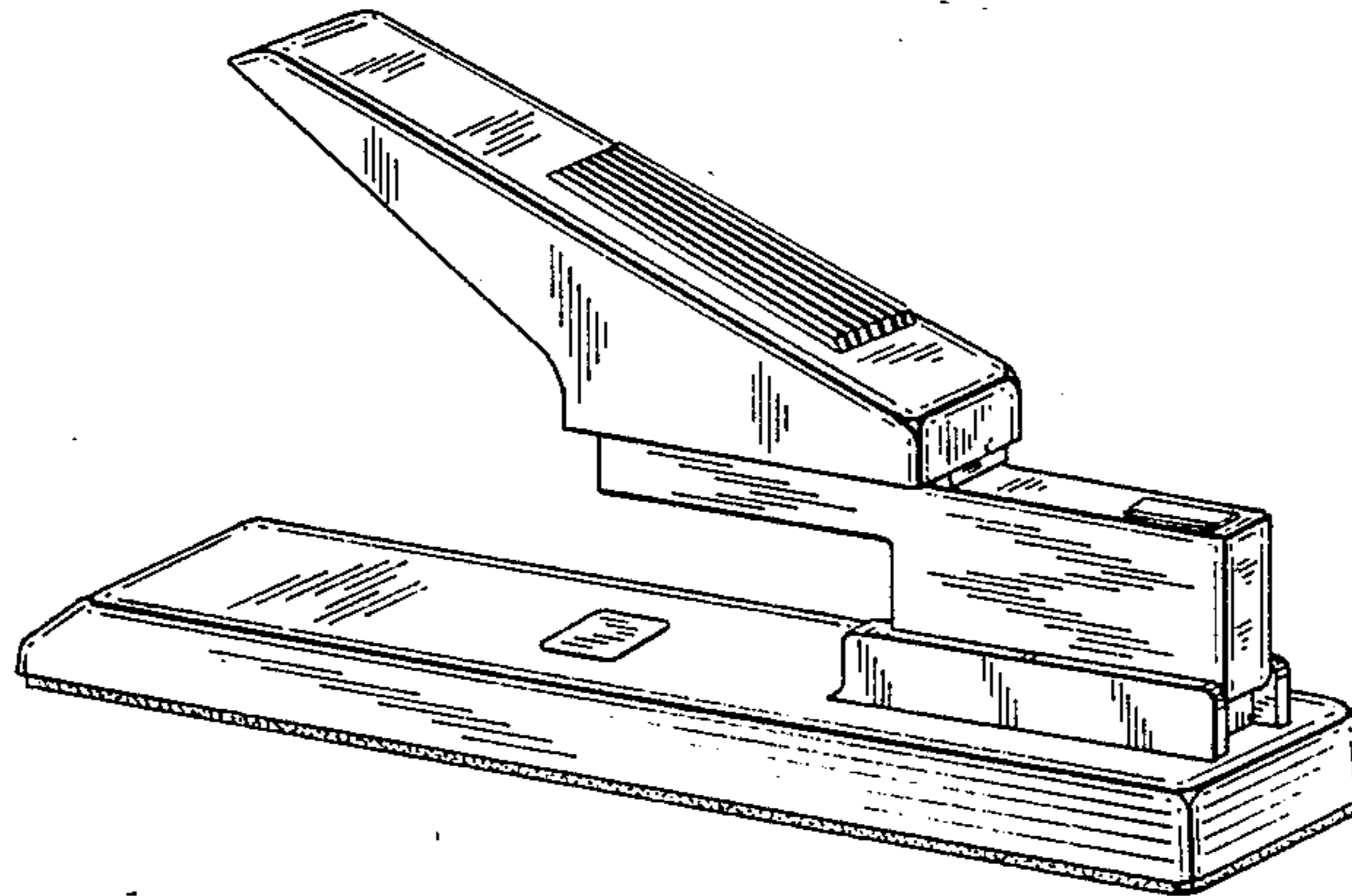


FIG. 1

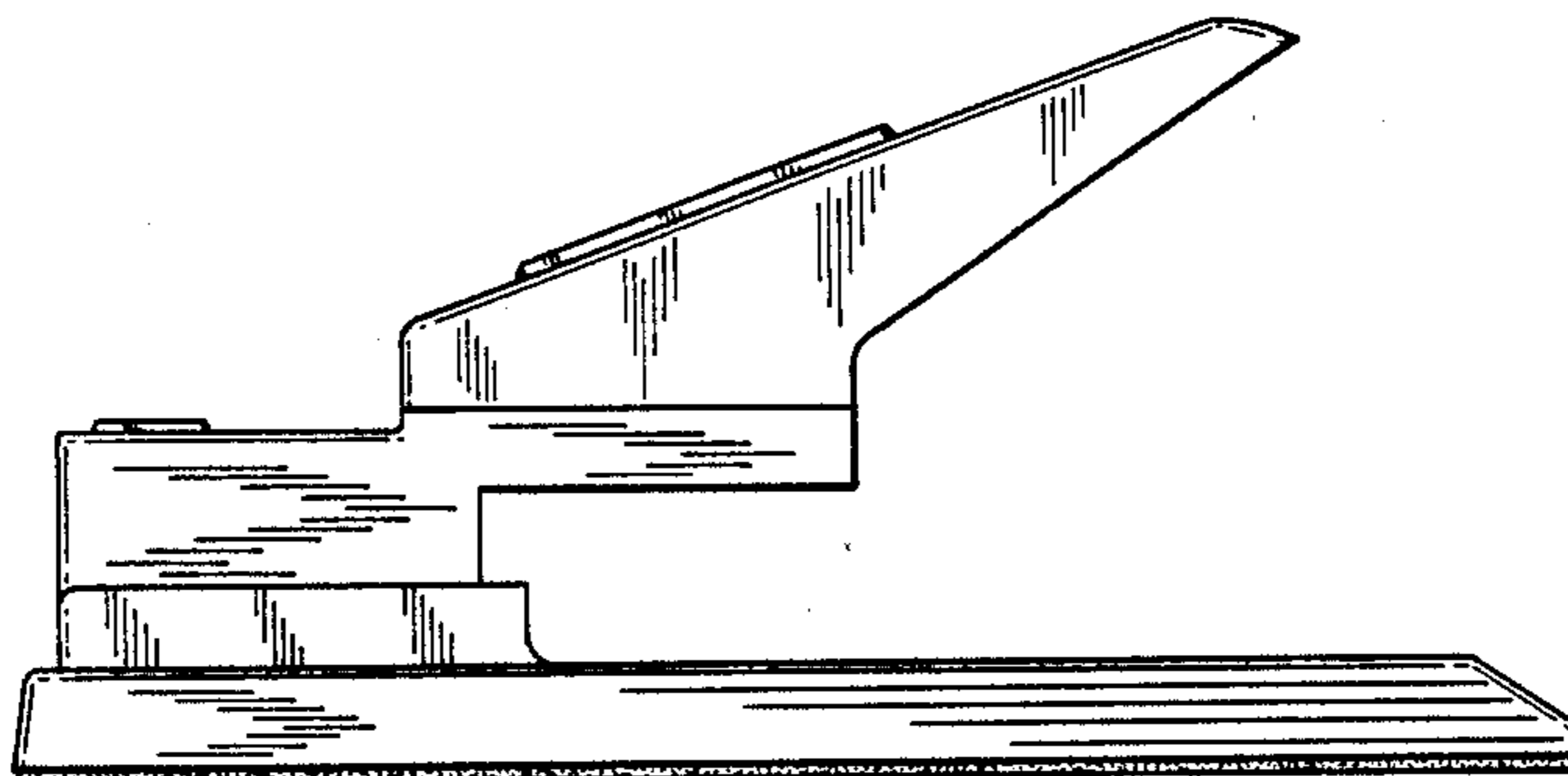


FIG. 2

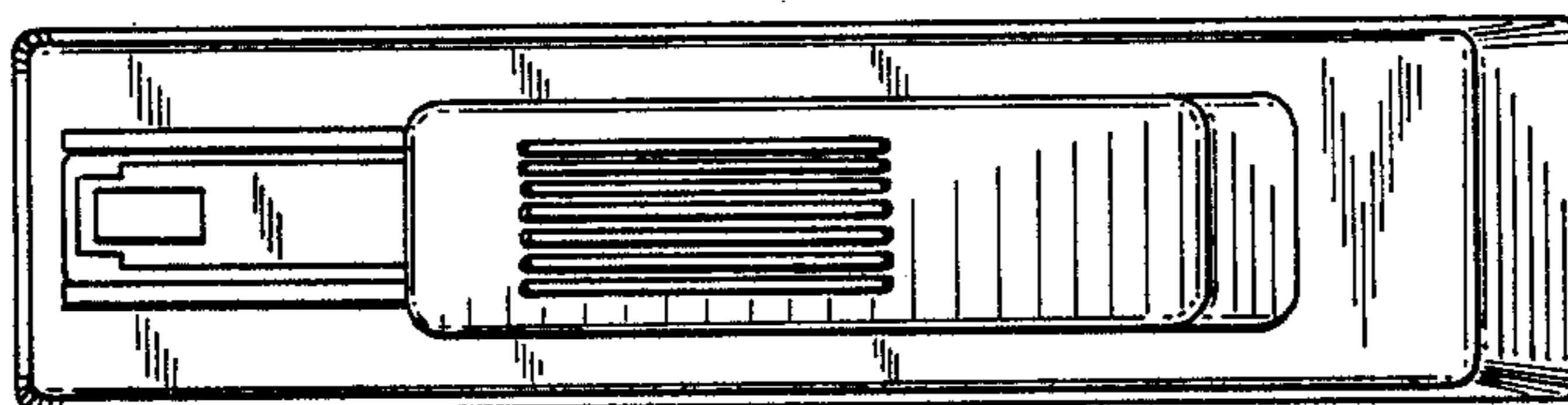


FIG. 3

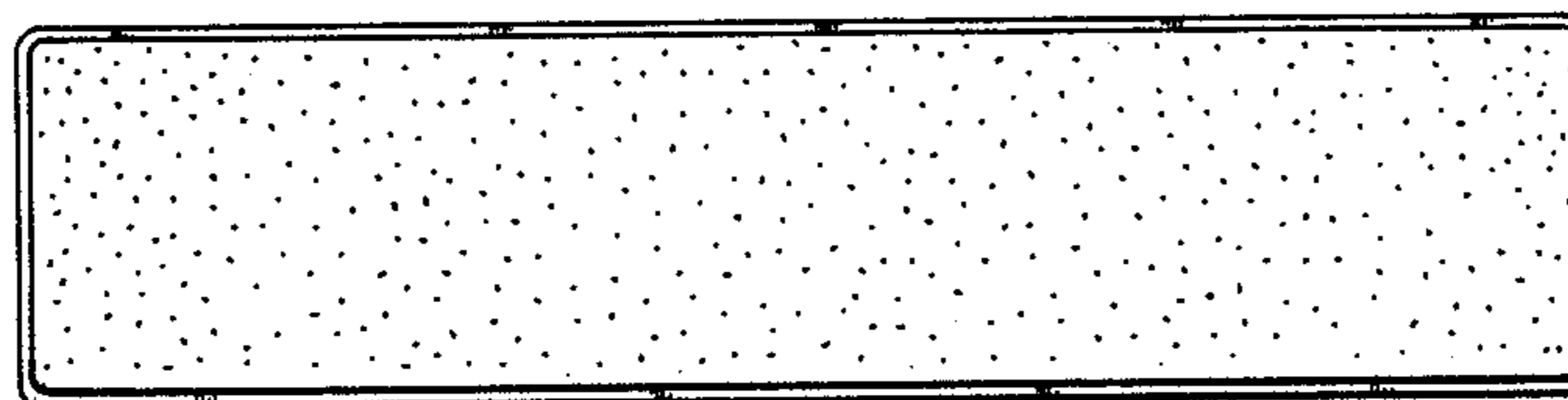


FIG. 4

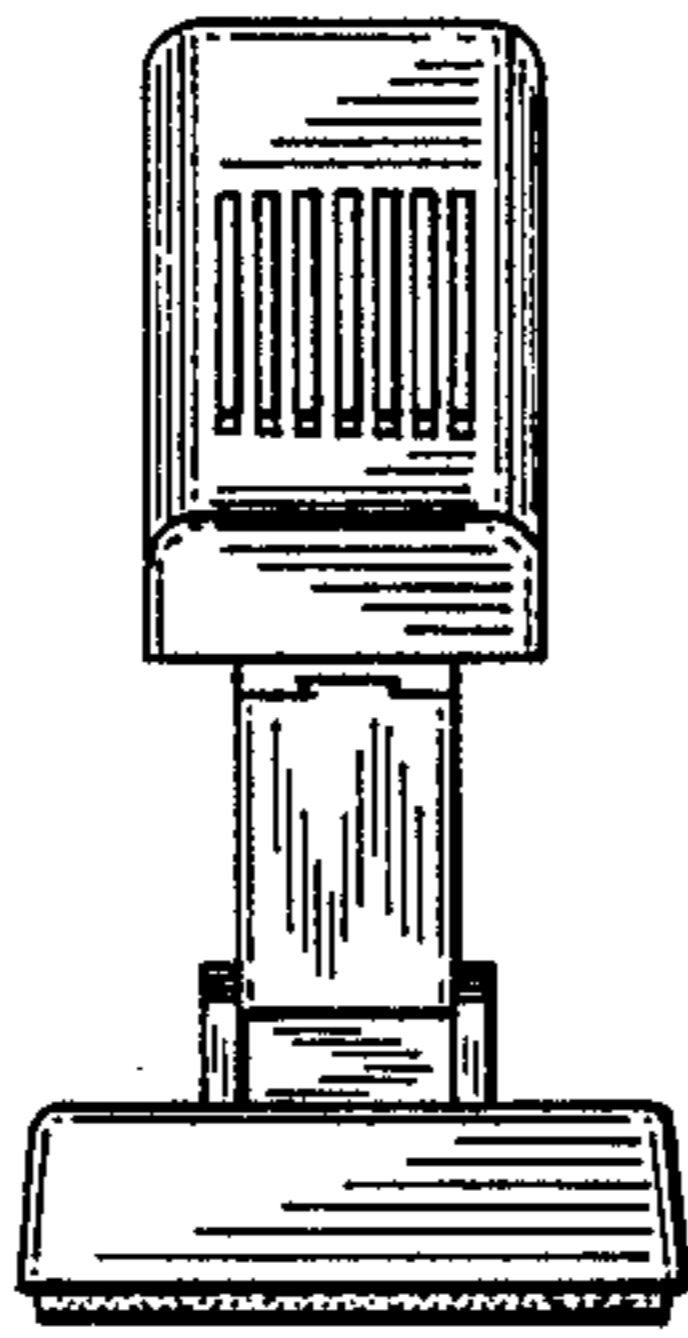


FIG. 5

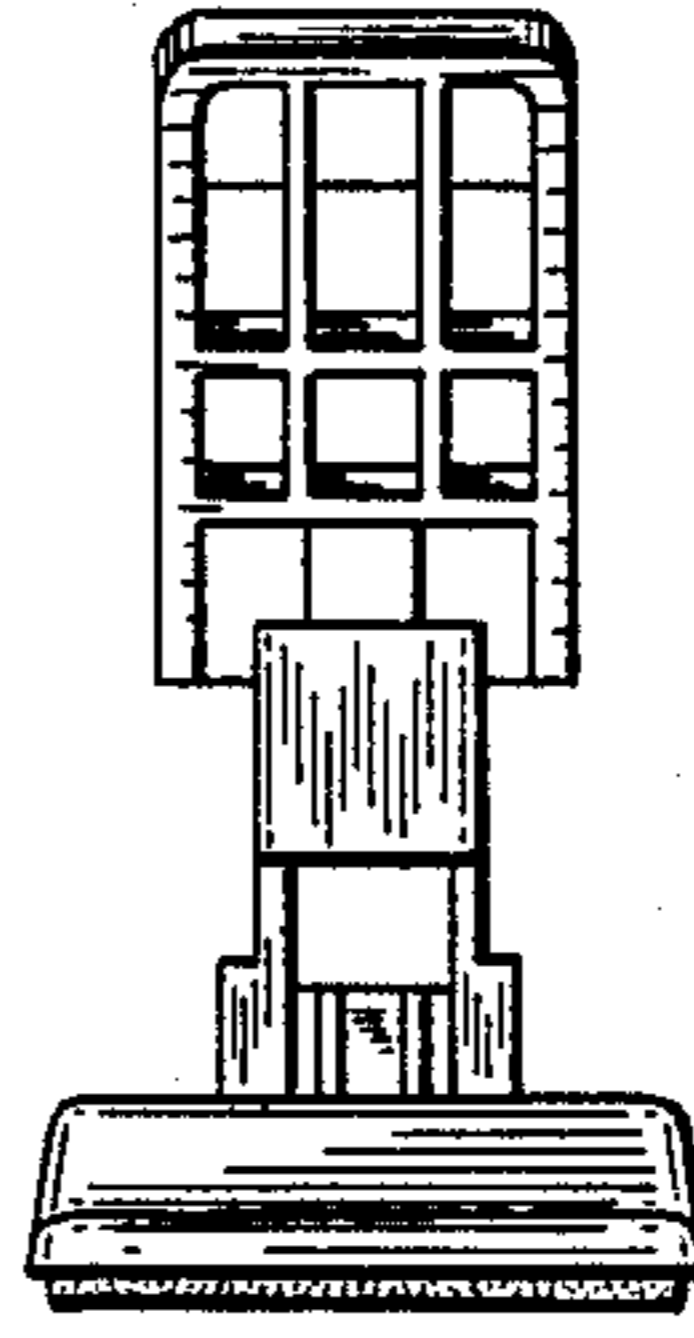


FIG. 6

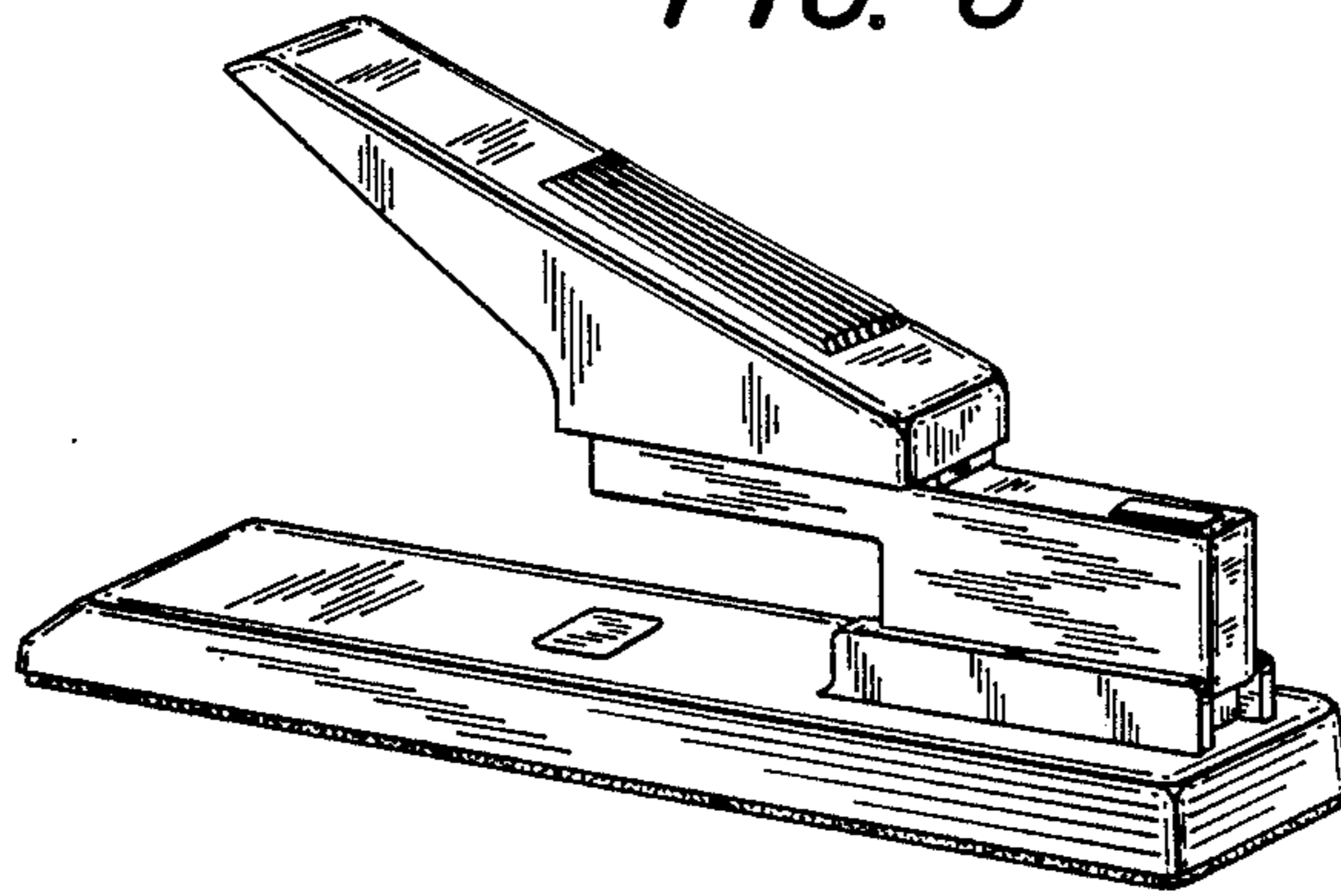


FIG. 7

