

United States Patent [19]

Nelson et al.

[11] Patent Number: **Des. 305,603**

[45] Date of Patent: **** Jan. 23, 1990**

[54] SNOW MOVER

[76] Inventors: **Donald Nelson; Carol Nelson**, both of
617 Starlight Dr., Salina, Kans.
67401

[**] Term: **14 Years**

[21] Appl. No.: **87,625**

[22] Filed: **Aug. 20, 1987**

[52] U.S. Cl. **D8/1; D8/10**

[58] Field of Search **D8/1, 10; 37/264, 266,
37/270, 285, 129-130; 294/55, 54.5**

[56] **References Cited**

U.S. PATENT DOCUMENTS

D. 190,820	7/1961	O'Connor .	
D. 214,636	7/1969	Zahler	D8/10
1,241,102	9/1917	Ferger .	
1,415,979	5/1922	Bedford .	
1,534,179	4/1925	Klinger .	
1,766,691	6/1930	Rugg	D8/10
2,508,612	5/1950	Kimbler .	

2,803,071	8/1957	Pochopien .	
2,863,232	12/1958	Steinbach .	
3,043,033	7/1962	Ingram et al.	37/130
3,121,963	2/1964	Nolan	D8/10 X
3,350,797	11/1967	Dassinger .	
4,161,073	7/1979	Oakes	294/55 X

Primary Examiner—James M. Gandy
Assistant Examiner—Brian N. Vinson
Attorney, Agent, or Firm—Hovey, Williams, Timmons & Collins

[57] CLAIM

The ornamental design for a snow mover, as shown.

DESCRIPTION

FIG. 1 is a front perspective view of a snow mover showing our new design;
FIG. 2 is a right side elevational view thereof;
FIG. 3 is a front elevational view thereof;
FIG. 4 is a left side elevational view thereof;
FIG. 5 is a top plan view thereof; and
FIG. 6 is a rear elevational view thereof.

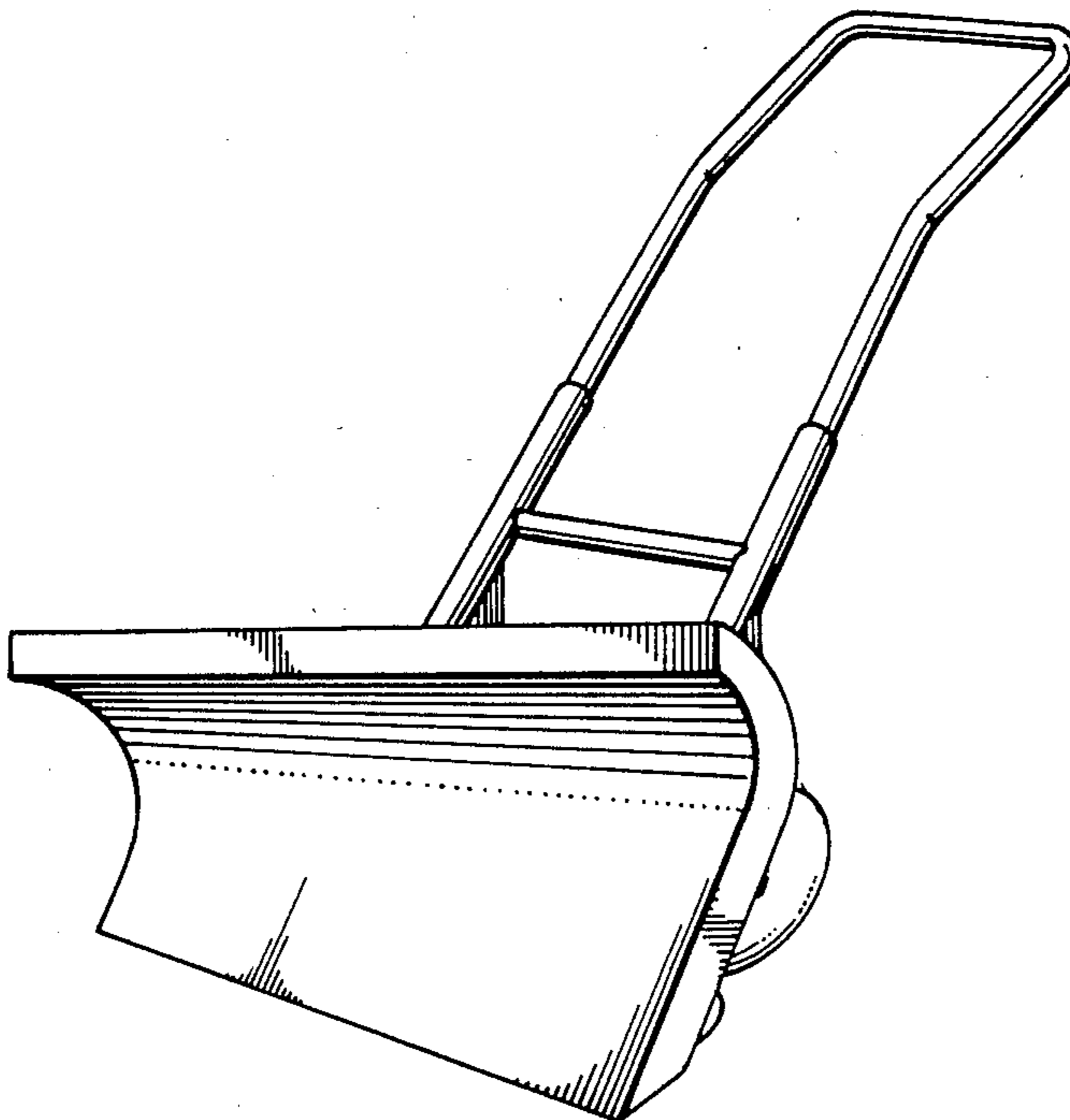


Fig. 1.

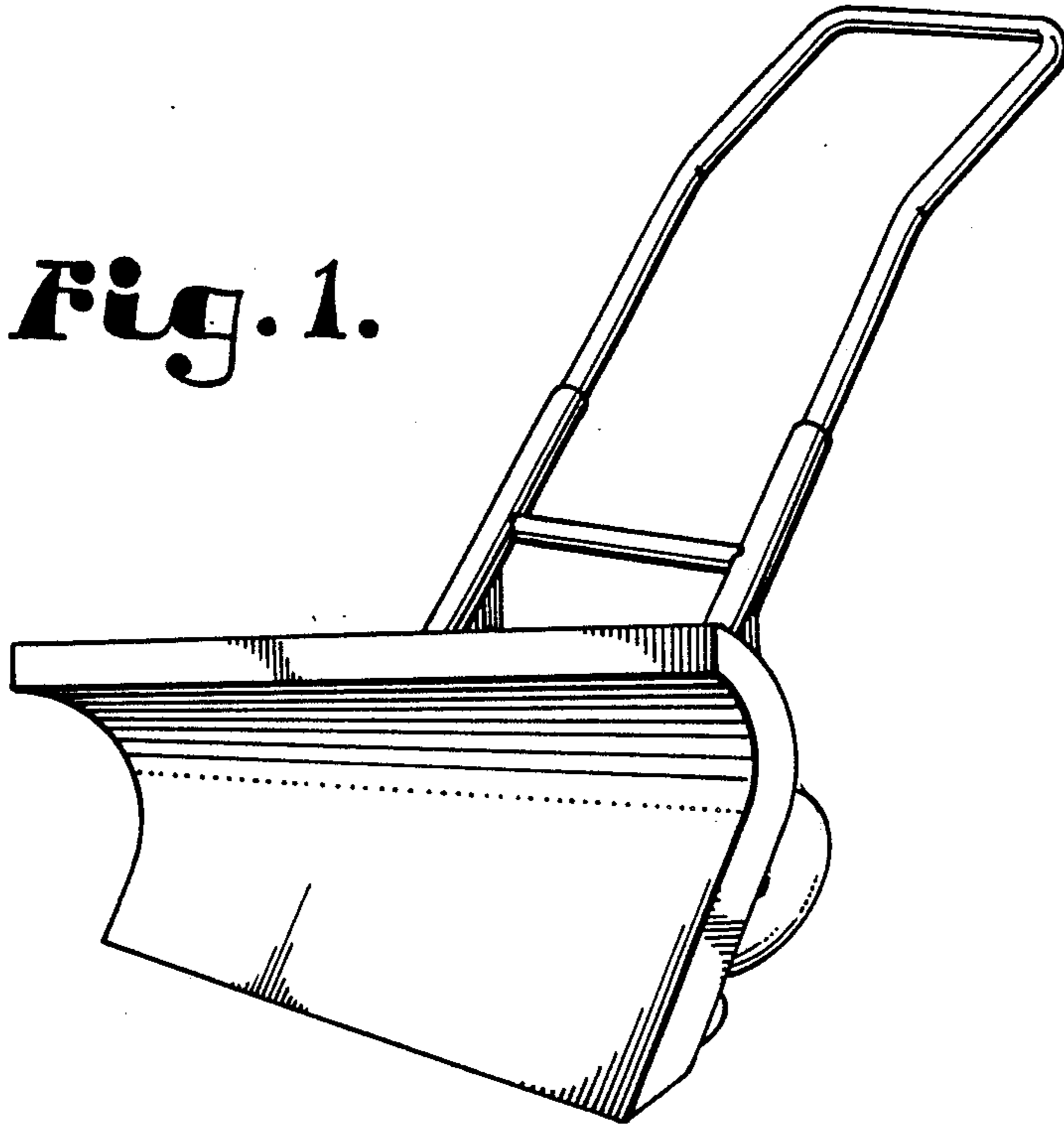


Fig. 2.

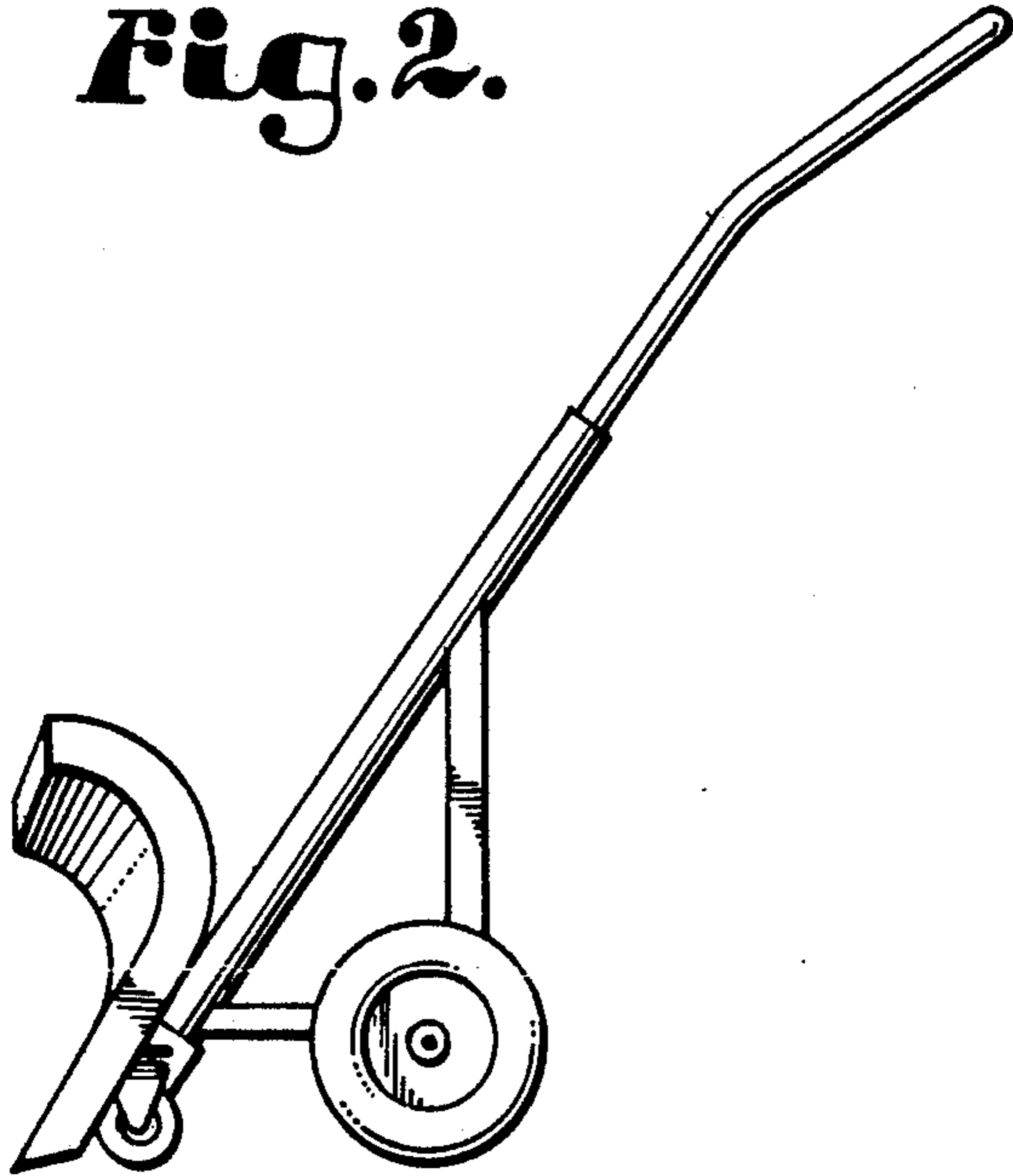
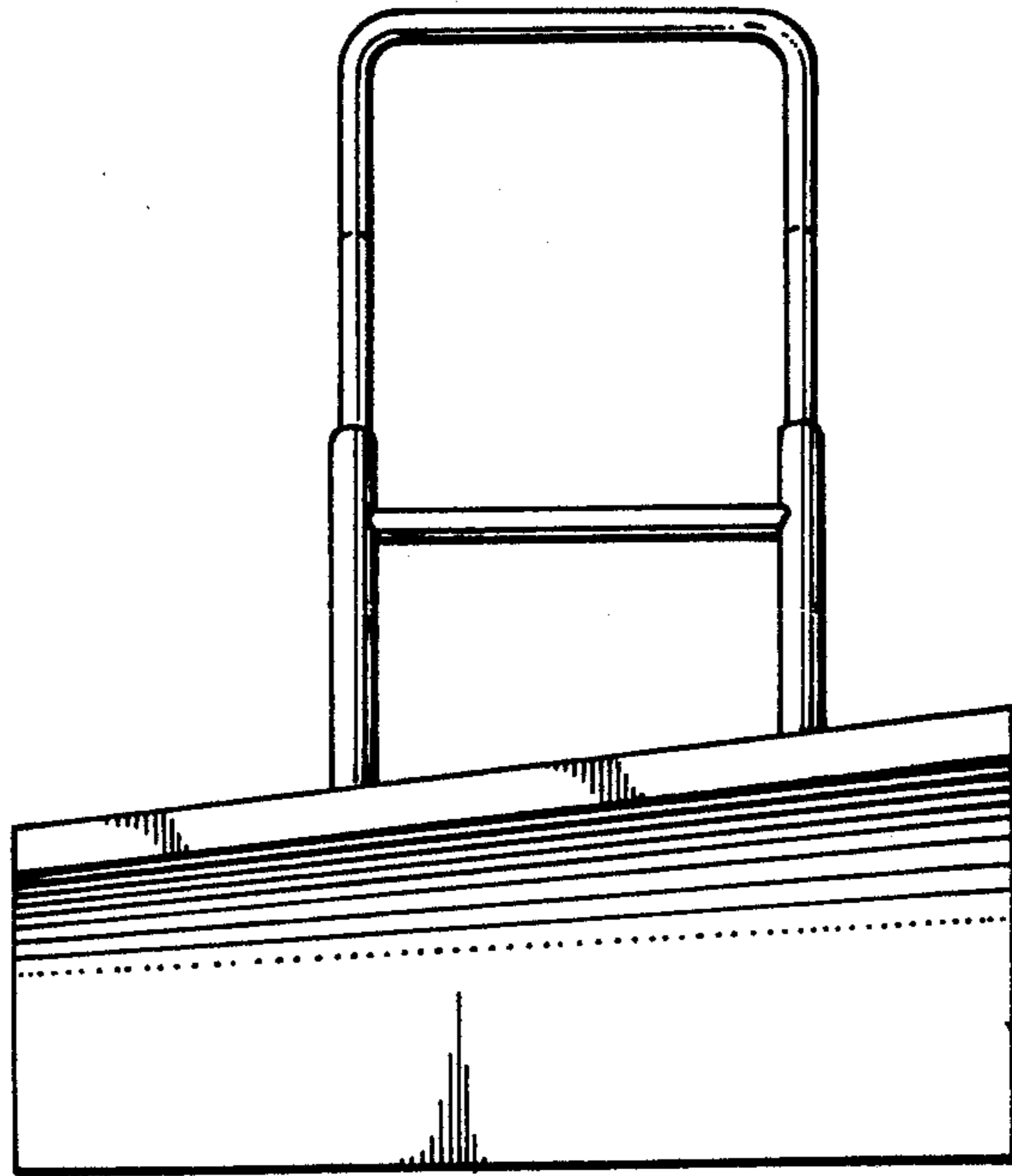


Fig. 3.



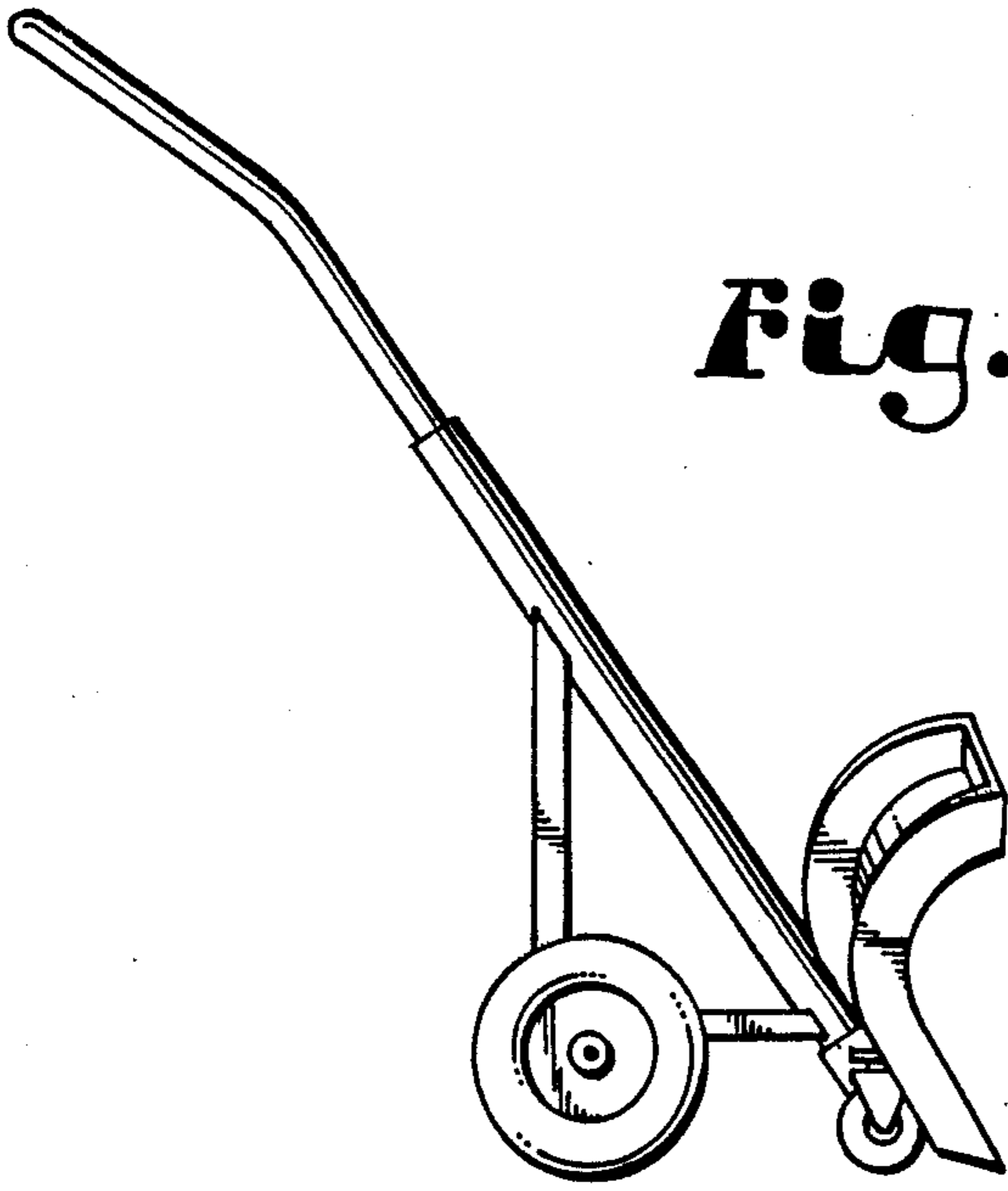


Fig. 4.

Fig. 5.

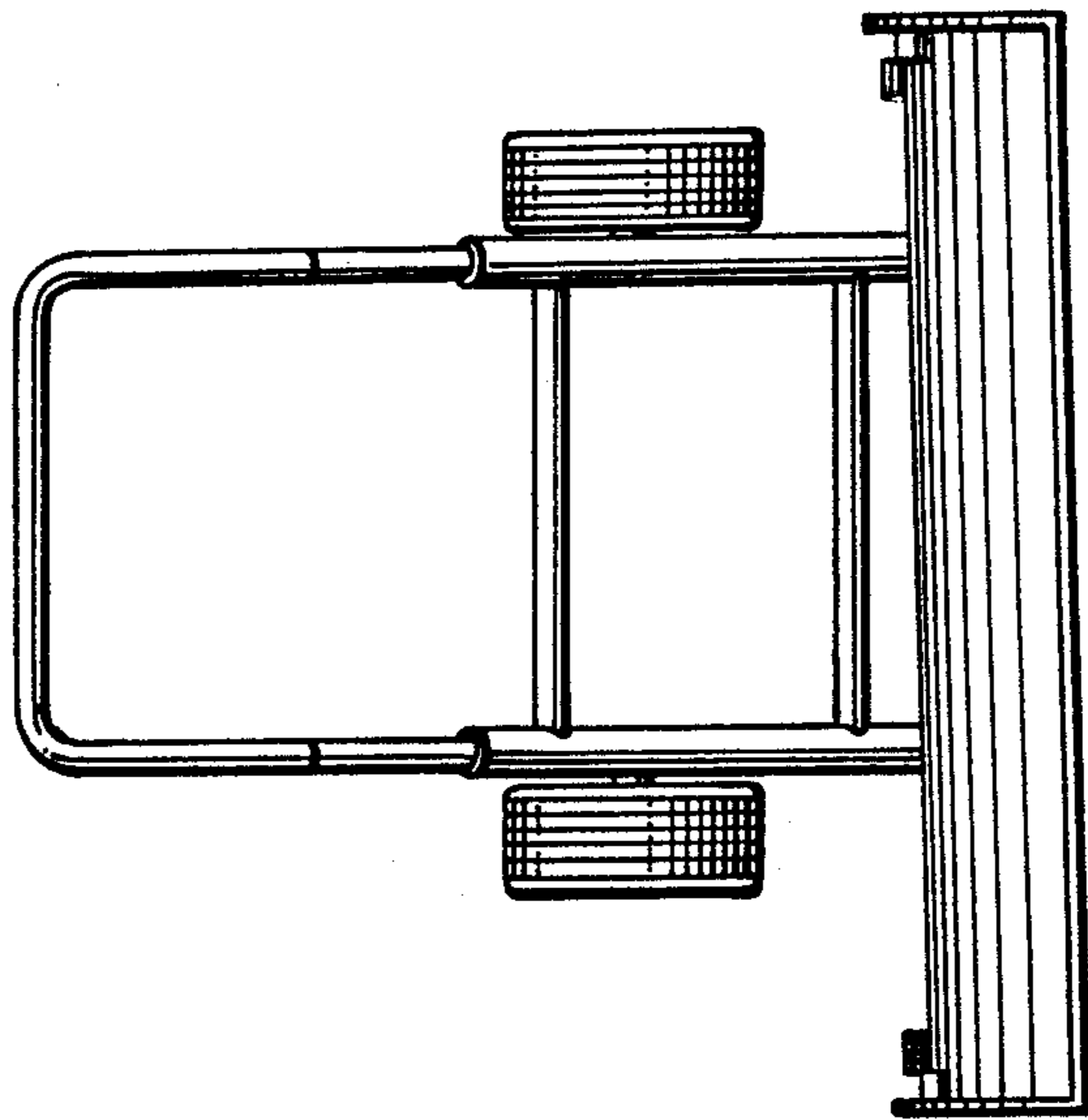


Fig. 6.

