

[54] ICE SHAVER

3,679,140 7/1972 Kaishita et al. 241/DIG. 17

[75] Inventor: Shinji Inomata, Shizuoka, Japan

[73] Assignee: Ai Kogyo Kabushiki Kaisha, Japan

[**] Term: 14 Years

[21] Appl. No.: 68,046

[22] Filed: Jun. 29, 1987

[30] Foreign Application Priority Data

Dec. 27, 1986 [JP] Japan 61-52492

[52] U.S. Cl. D7/374; D7/49

[58] Field of Search D7/368, 372, 374, 409; 241/DIG. 17, 82.1, 82.3, 82.5, 82.7, 83, 95, 107, 152 R, 153, 244, 246, 296

[56] References Cited

U.S. PATENT DOCUMENTS

- D. 105,335 6/1937 Majewski, Jr. D7/49
- D. 212,999 12/1968 Sugiyama D7/374
- D. 231,392 4/1974 Ross et al. D7/49

OTHER PUBLICATIONS

Housewares, 3/14/1988, p. 78, "Leifheit's Juicer".

Primary Examiner—Bruce W. Dunkins

Assistant Examiner—Ruth Takemoto

Attorney, Agent, or Firm—Bruce L. Adams; Van C. Wilks

[57] CLAIM

The ornamental design for an ice shaver, as shown and described.

DESCRIPTION

FIG. 1 is a front perspective view of an ice shaver showing my new design;

FIG. 2 is a front elevational view thereof;

FIG. 3 is a rear elevational view thereof;

FIG. 4 is a right side elevational view thereof, the left side being a mirror image;

FIG. 5 is a top plan view thereof; and

FIG. 6 is a bottom plan view thereof.

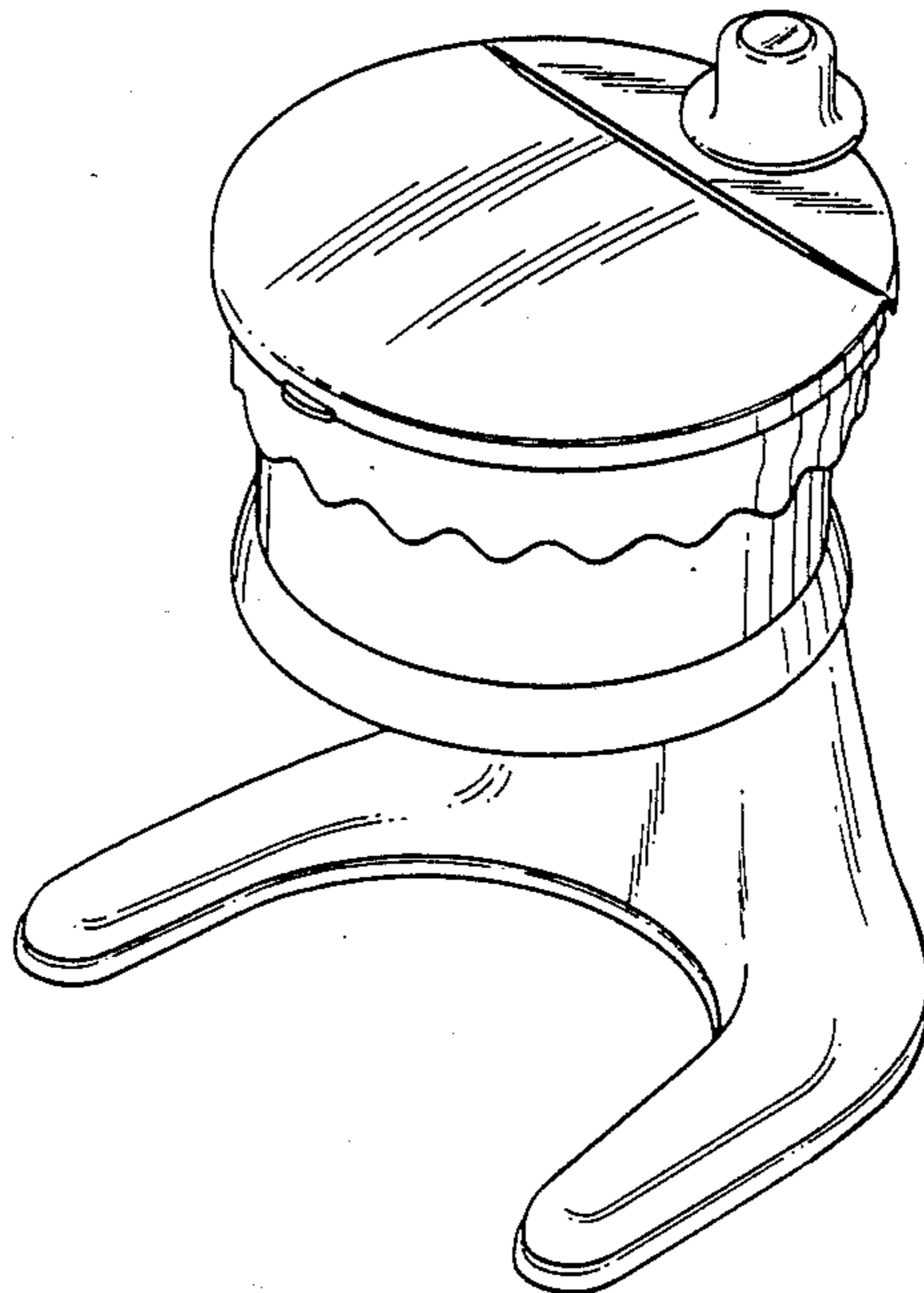


FIG. 1

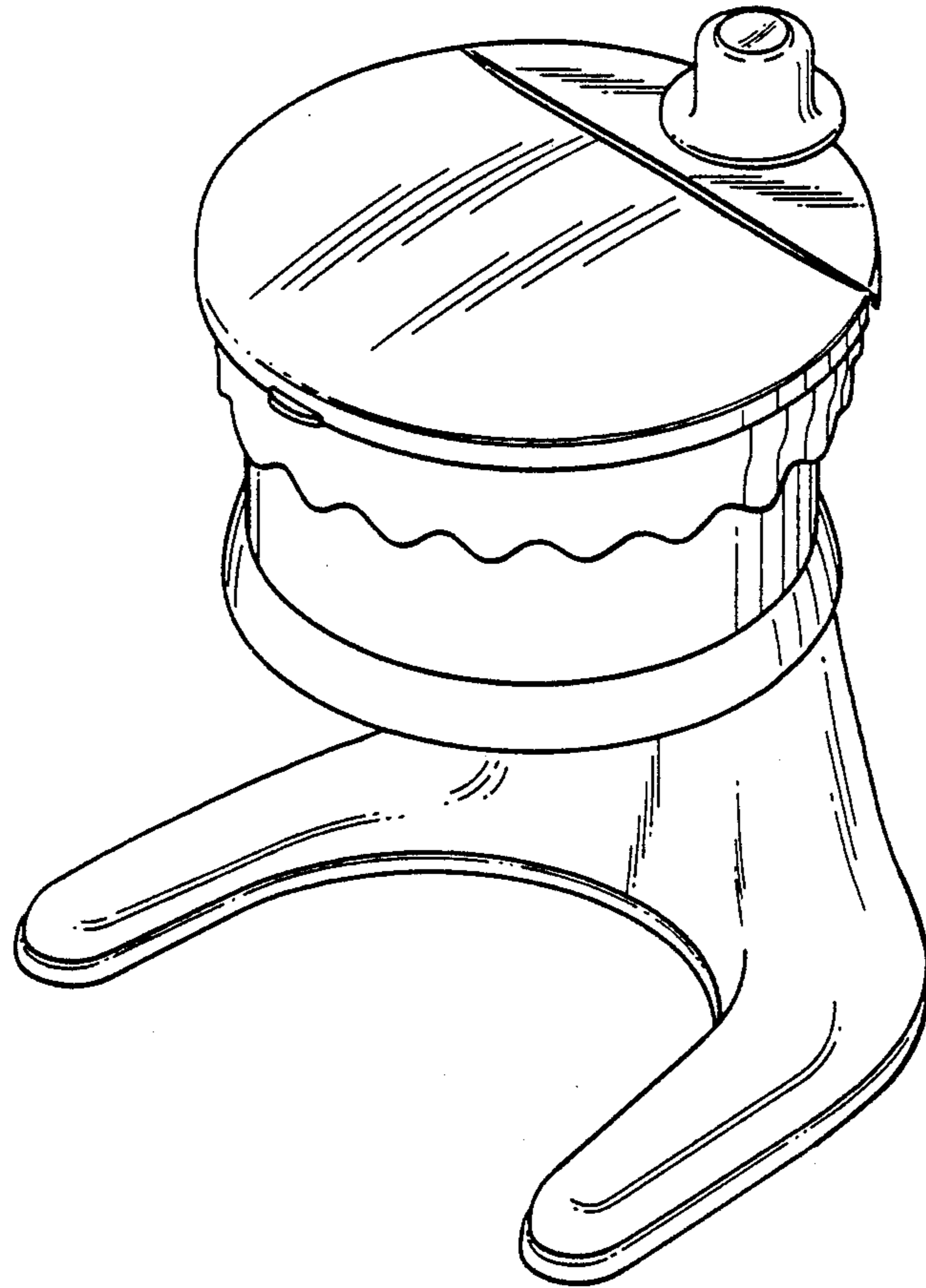


FIG. 2

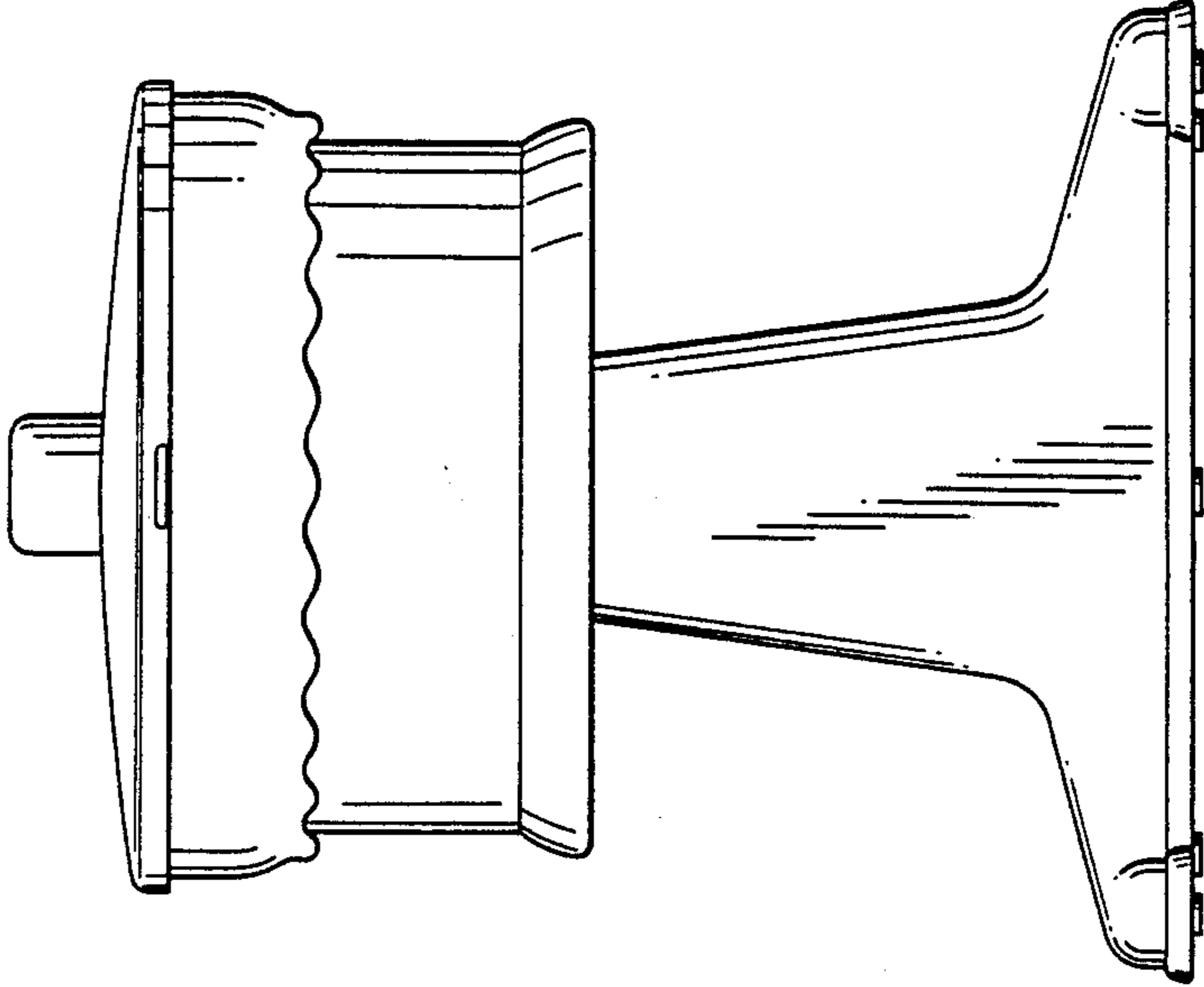


FIG.4

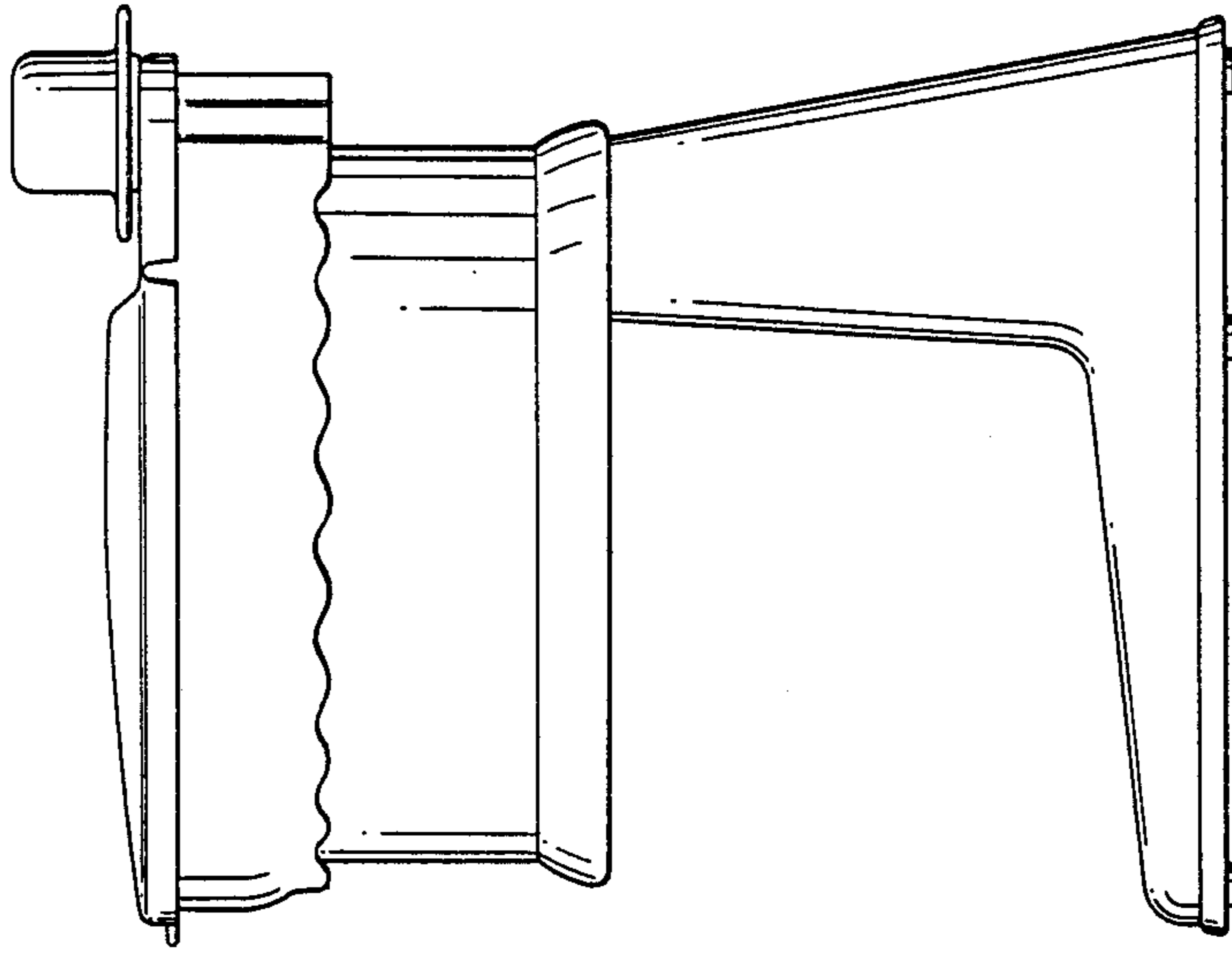


FIG.3

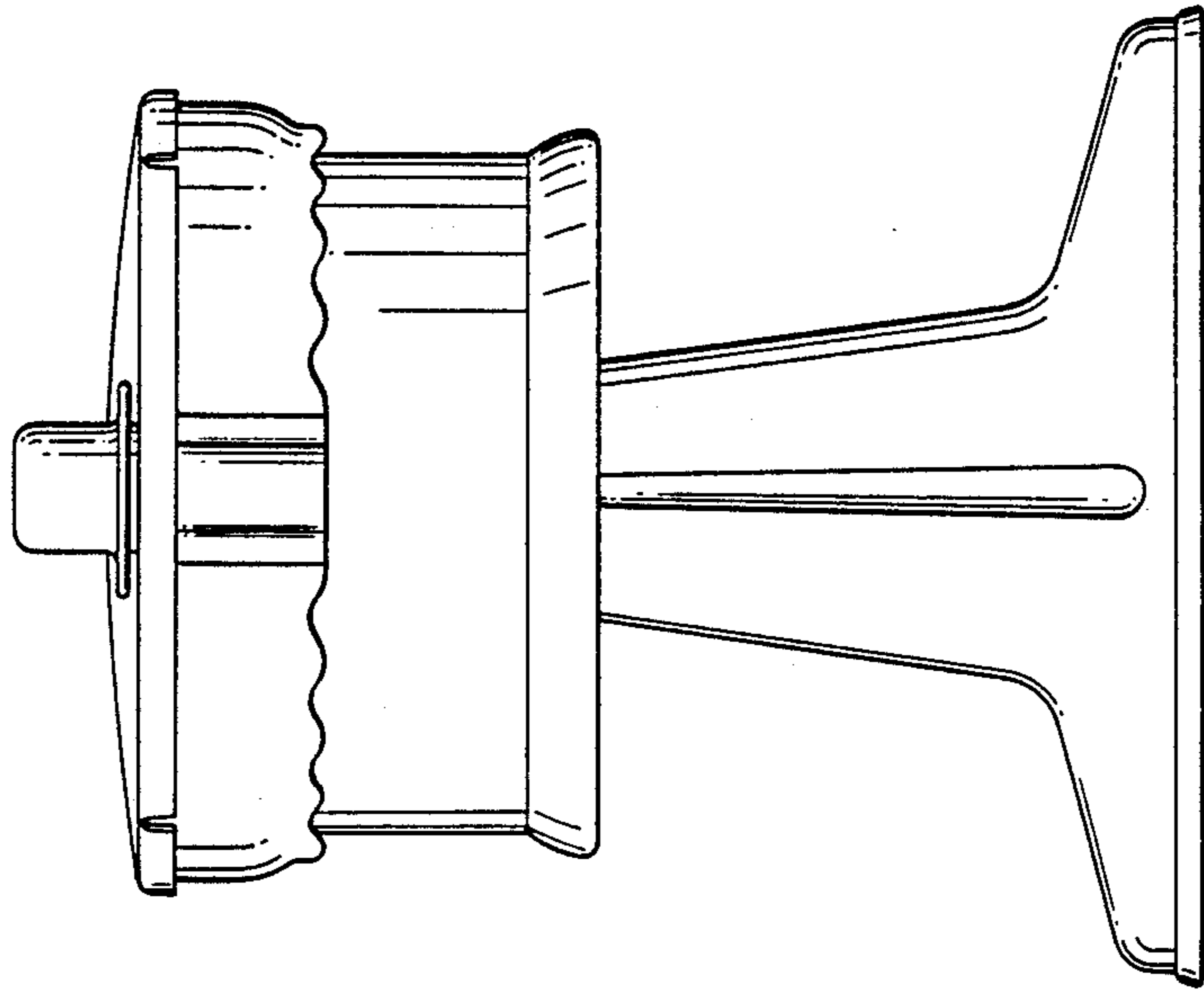


FIG.6

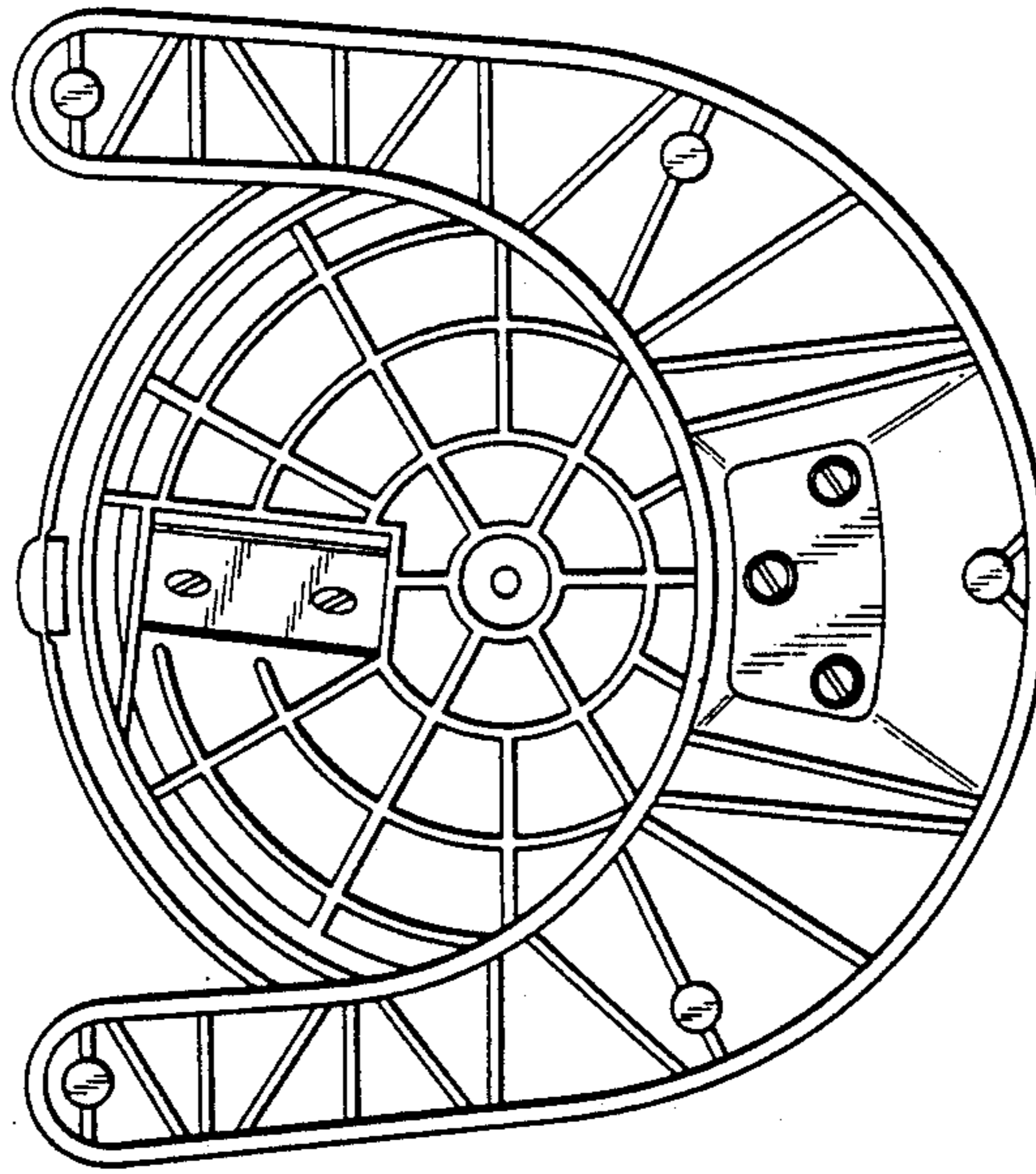


FIG.5

