

[54] FERMENTATION VESSEL

[75] Inventor: C. Bruce Hewson, West Vancouver, Canada

[73] Assignee: Brewmaster Systems, Ltd., West Vancouver, Canada

[**] Term: 14 Years

[21] Appl. No.: 858,251

[22] Filed: Apr. 28, 1986

[30] Foreign Application Priority Data

Oct. 31, 1985 [CA] Canada 31-10-85-5

[52] U.S. Cl. D7/368; D7/313; D9/370; D9/390

[58] Field of Search D7/313, 354, 368, 76, D7/77; D34/39; D23/202; D9/370, 373, 390-399, 403-413, 337, 367, 385; 215/1 R, 1 C, 32; 220/367, 374; 222/185

[56] References Cited

U.S. PATENT DOCUMENTS

- D. 48,594 2/1916 Lines D7/313
- D. 72,508 4/1927 Weiss D7/313
- D. 86,928 5/1932 Noble D9/408
- D. 208,082 7/1967 Falkenberg D7/313
- D. 235,310 6/1975 Betka D9/370
- D. 298,740 11/1988 Warrell D9/349

- 3,966,093 6/1976 Frahm et al. 222/185
- 4,505,408 3/1985 Sagol 222/185

Primary Examiner—Melvin B. Feifer
Assistant Examiner—Lucy Lieberman
Attorney, Agent, or Firm—Rogers, Bereskin & Parr

[57] CLAIM

The ornamental design for a fermentation vessel, as shown and described.

DESCRIPTION

FIG. 1 is a side elevation of a fermentation vessel showing my new design;
 FIG. 2 is a front elevation thereof;
 FIG. 3 is a bottom perspective view thereof;
 FIG. 4 is a top perspective view thereof;
 FIG. 5 is a perspective view from above of a second embodiment of the fermentation vessel;
 FIG. 6 is a bottom perspective view of the second embodiment;
 FIG. 7 is a front elevation of the second embodiment;
 FIG. 8 is a side elevation of the second embodiment;
 FIG. 9 is a front elevation of a third embodiment of the fermentation vessel;
 FIG. 10 is a side elevation of the third embodiment;
 FIG. 11 is a bottom perspective view of the third embodiment; and
 FIG. 12 is a top perspective view of the third embodiment.

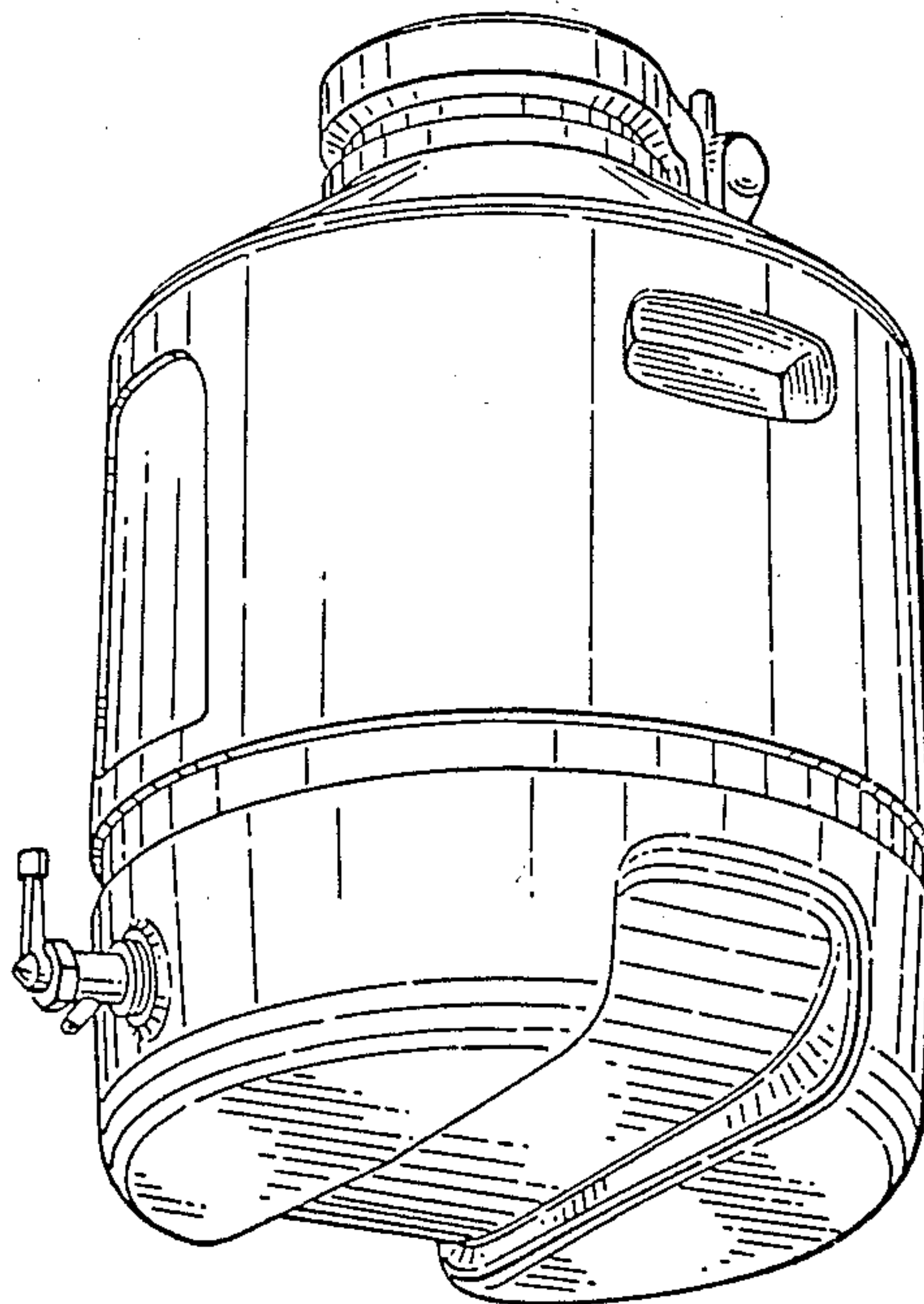


FIG. 1

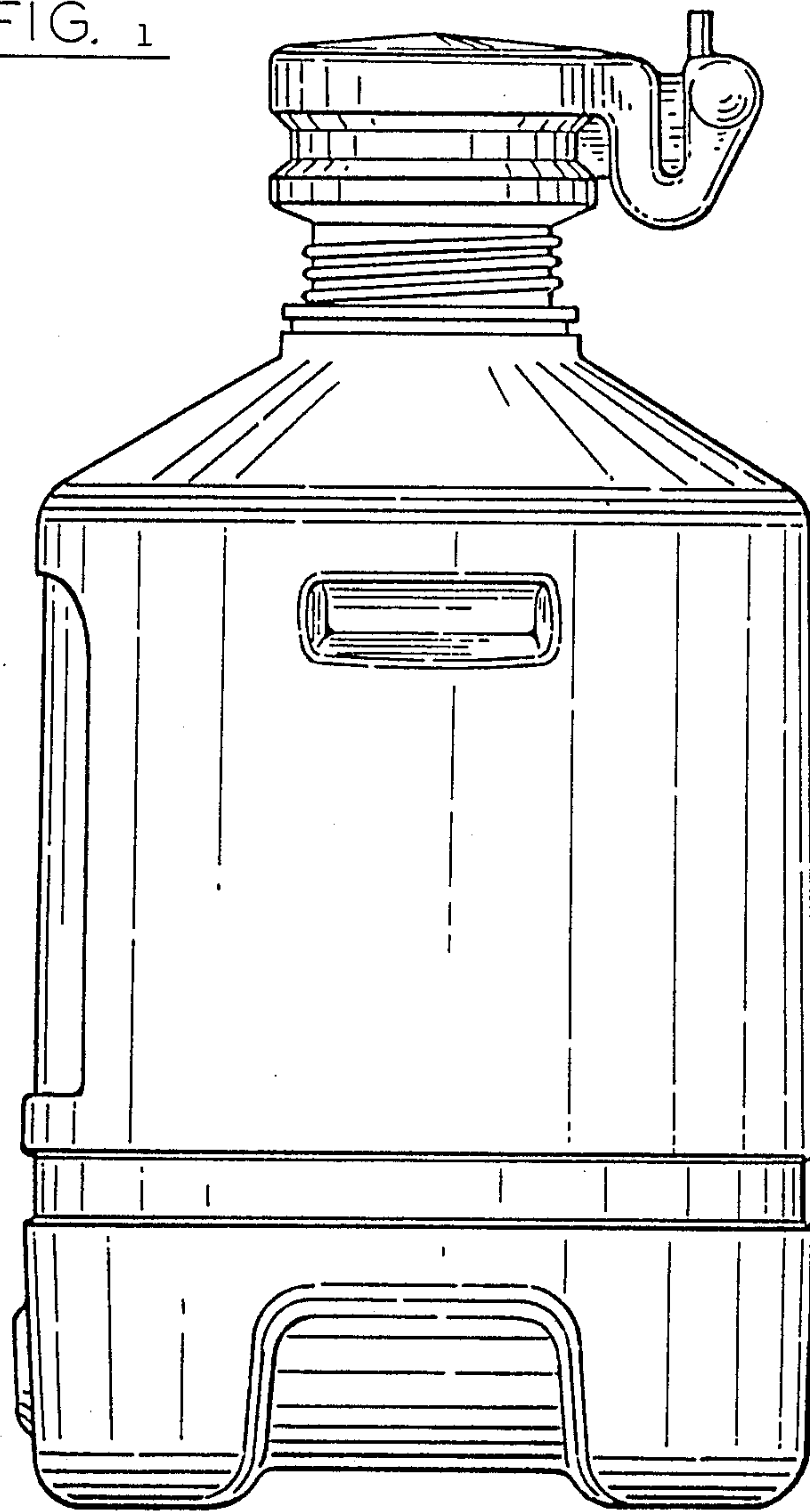
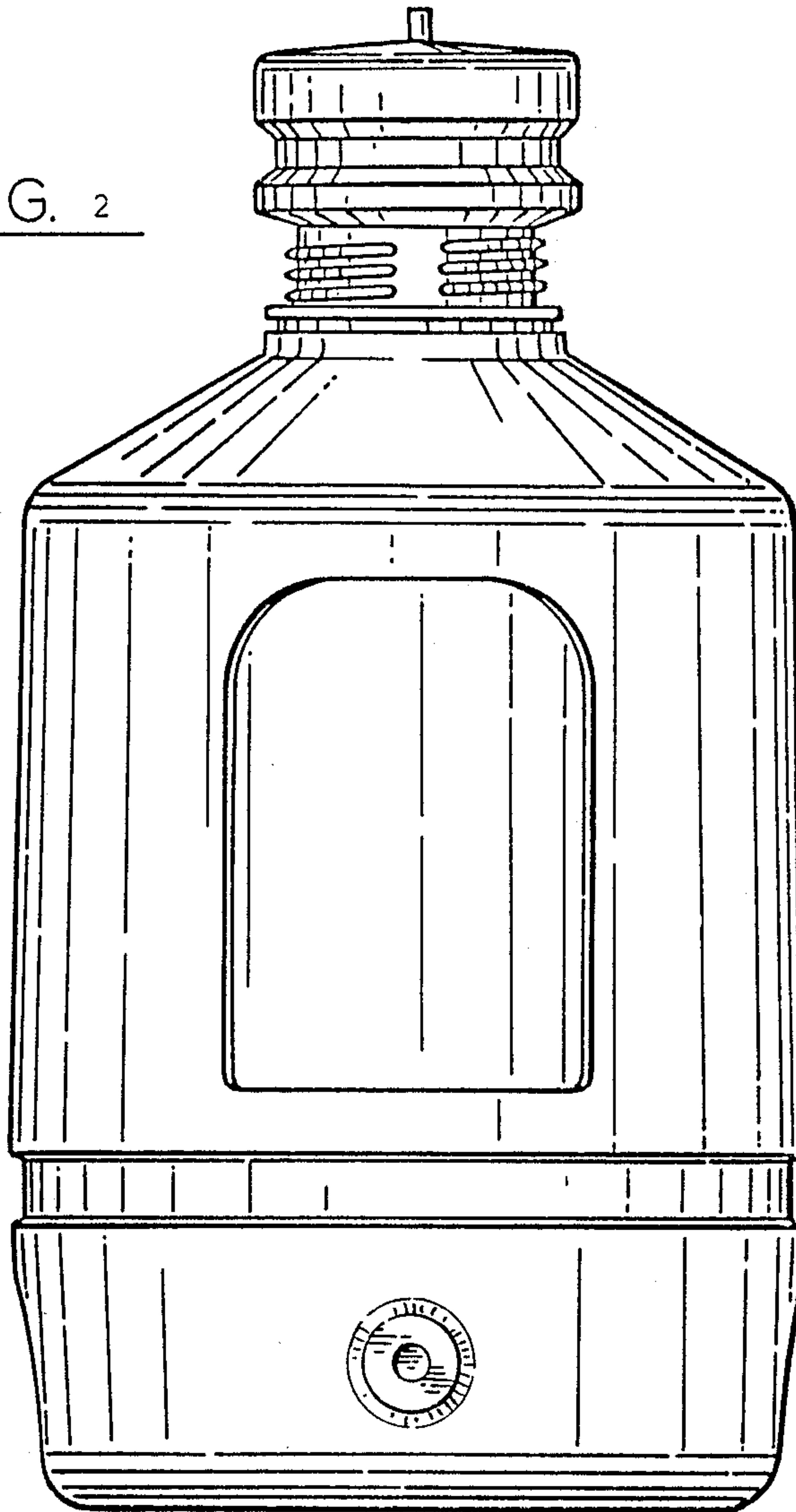


FIG. 2



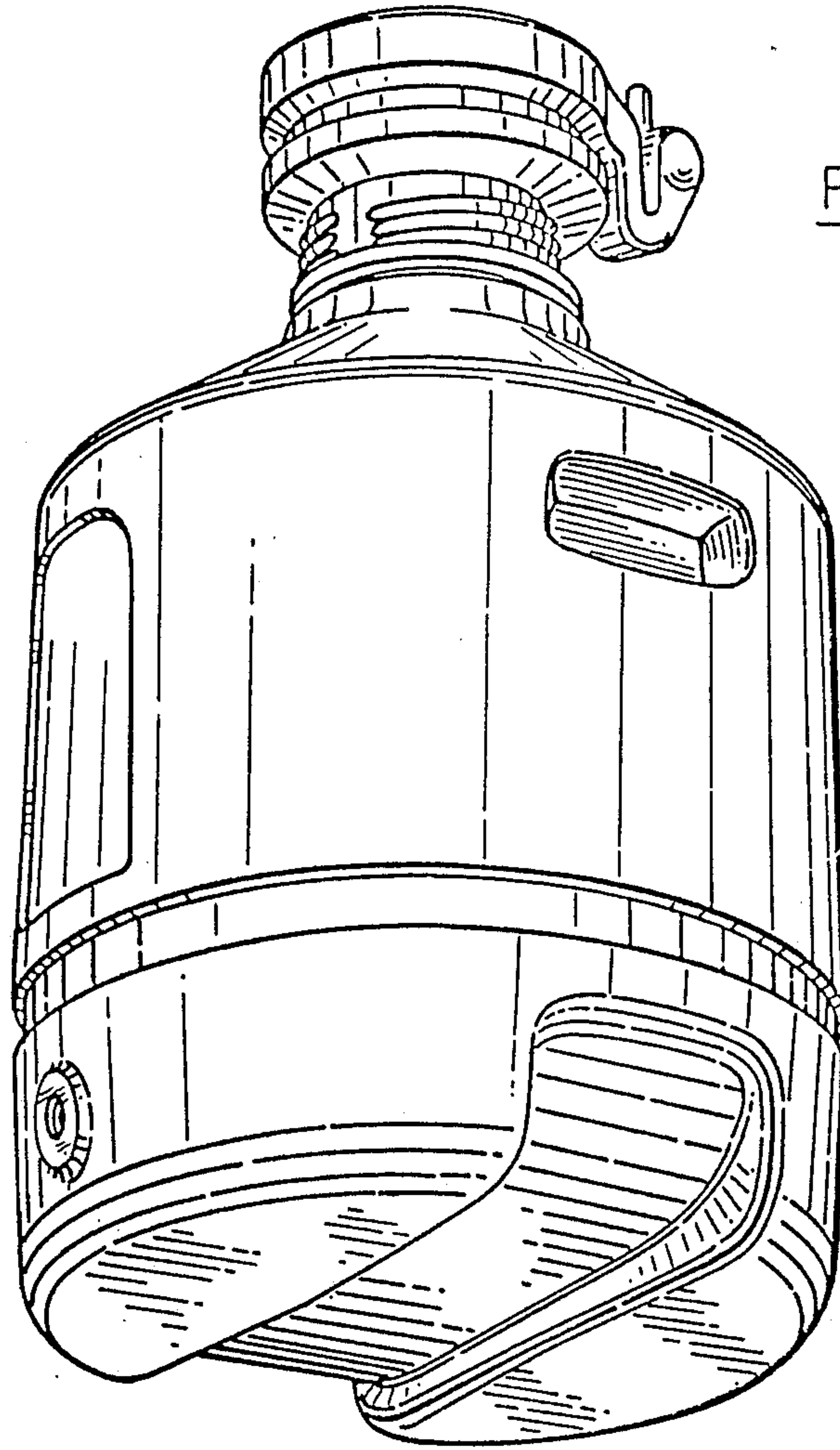


FIG 3

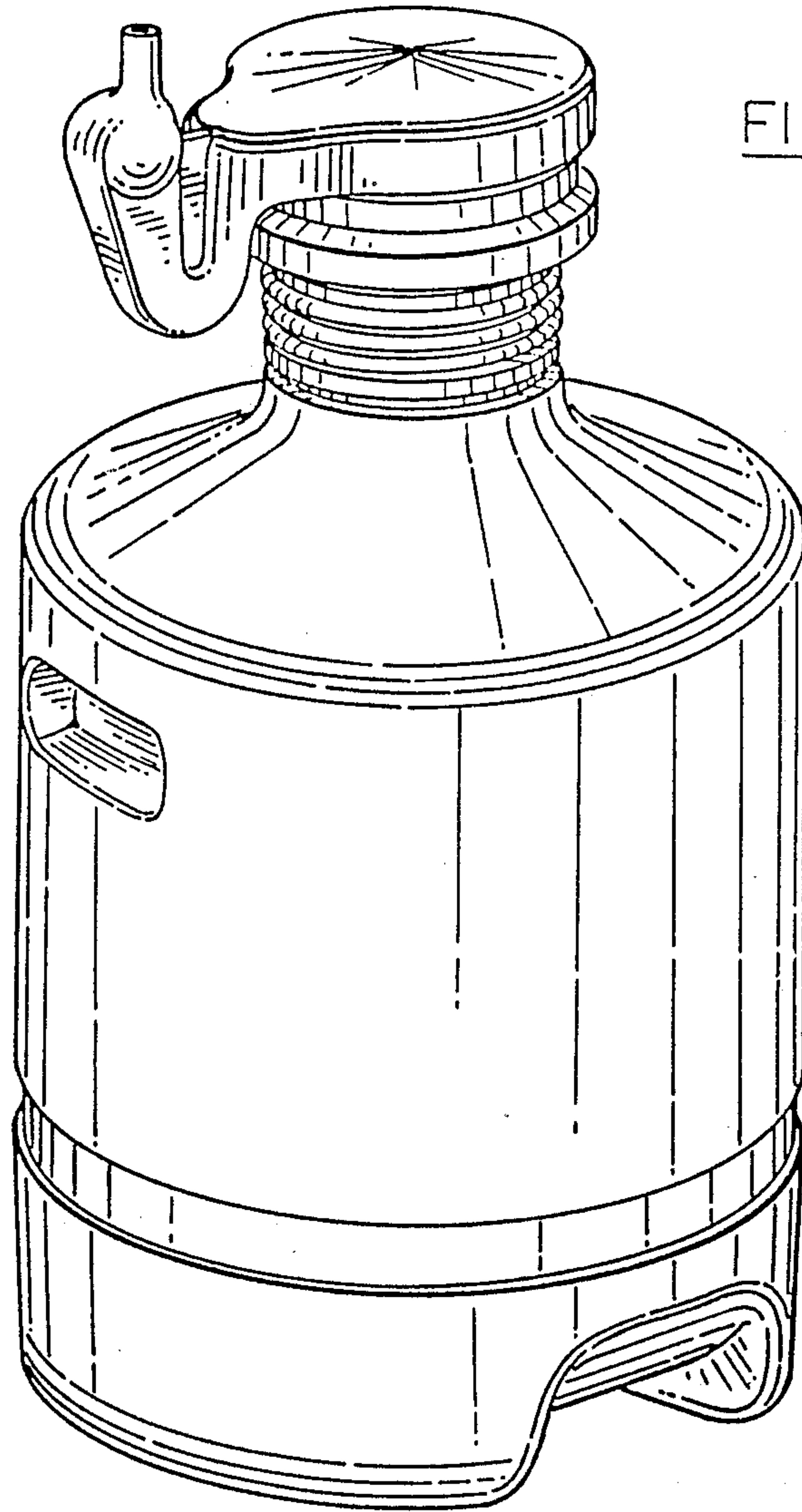


FIG. 4

FIG. 5

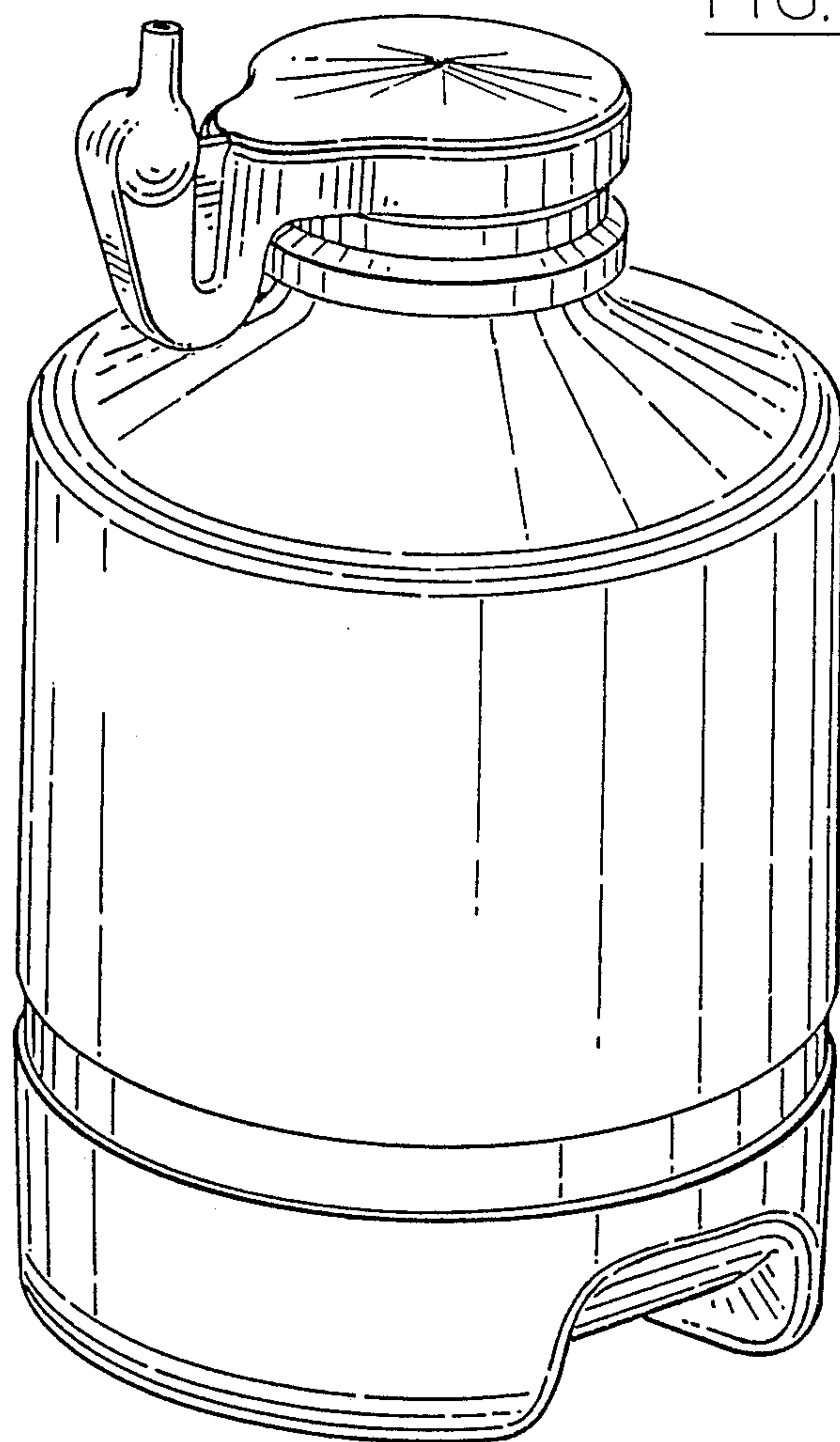
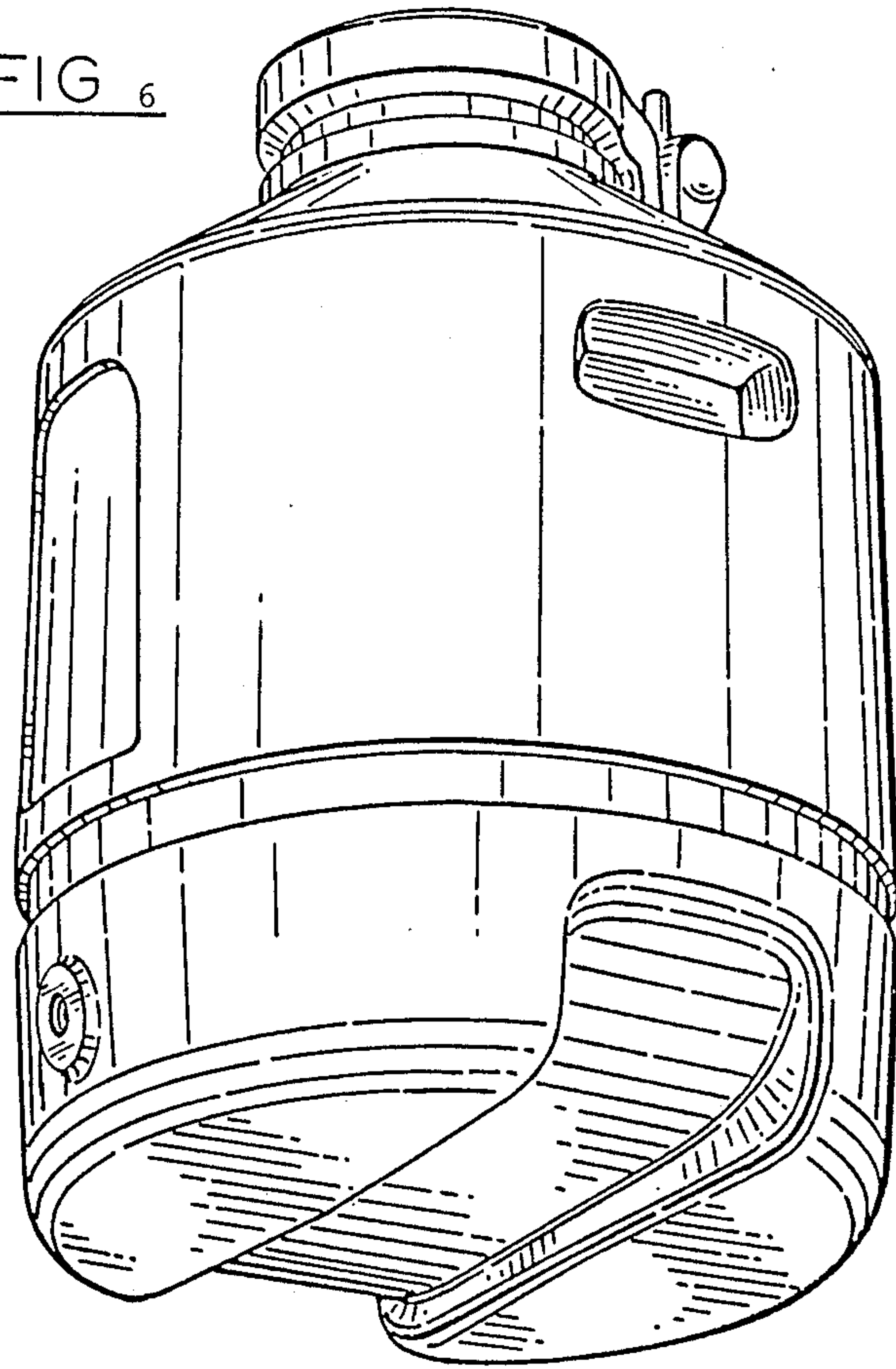


FIG 6



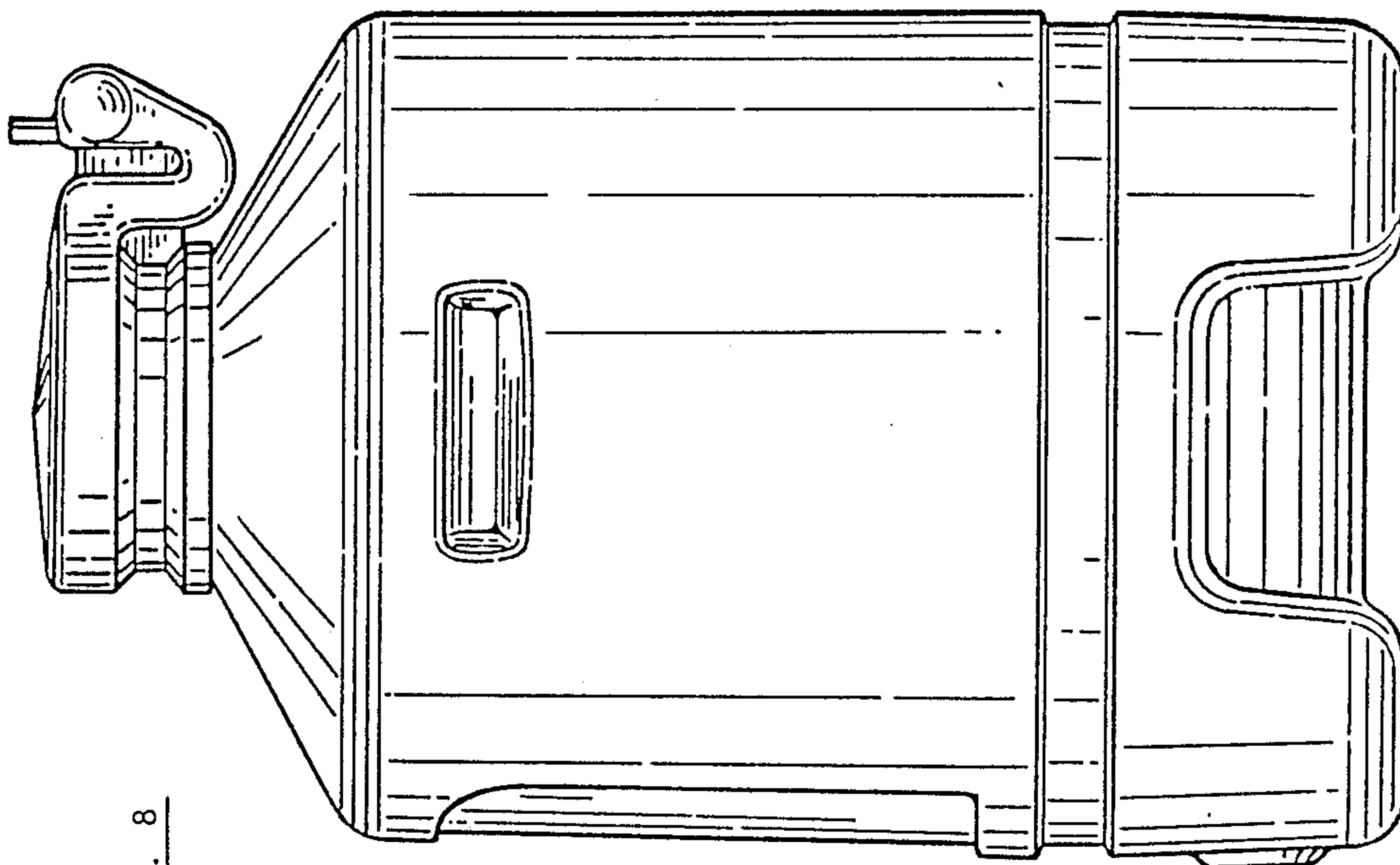


FIG. 8

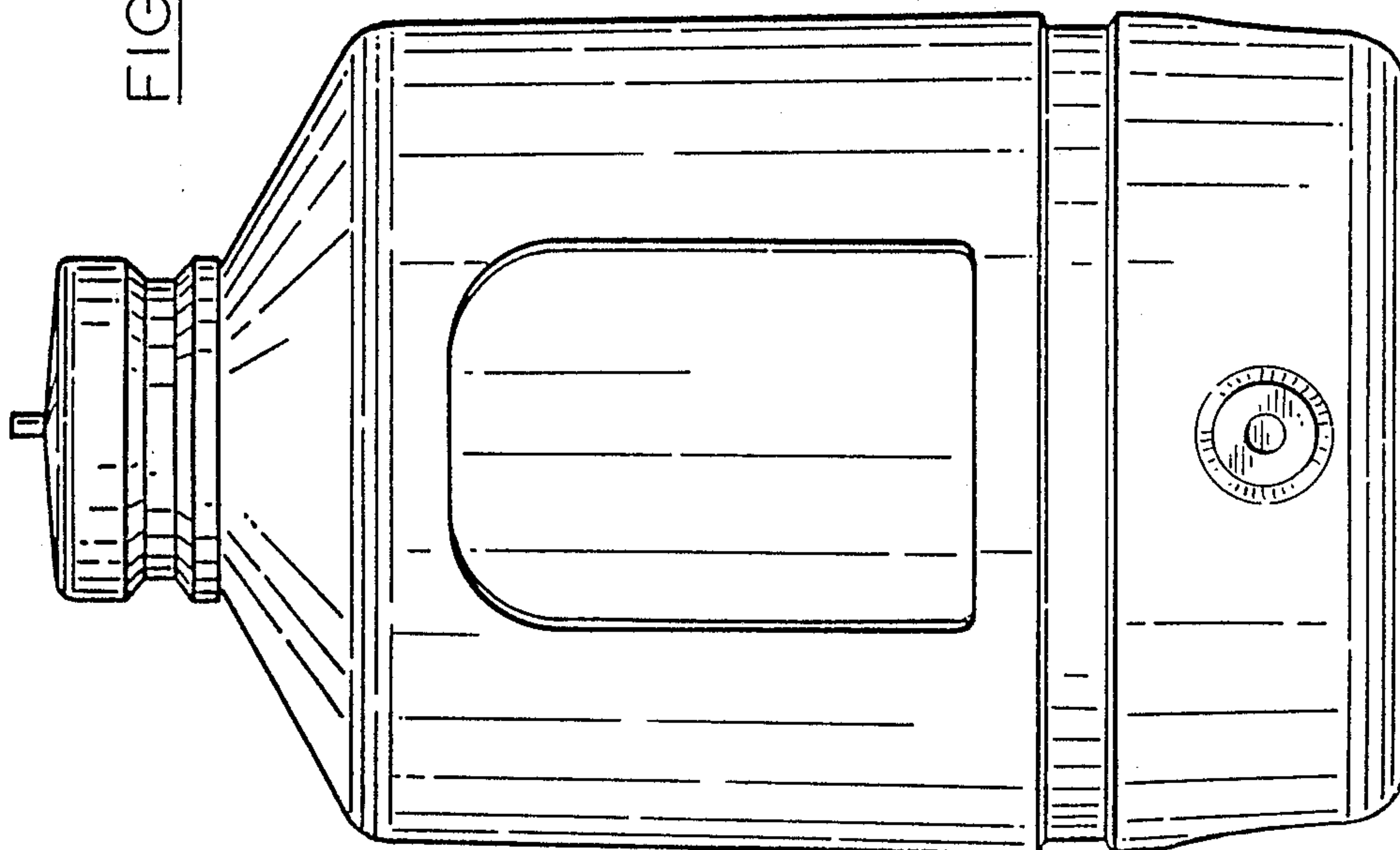


FIG. 7

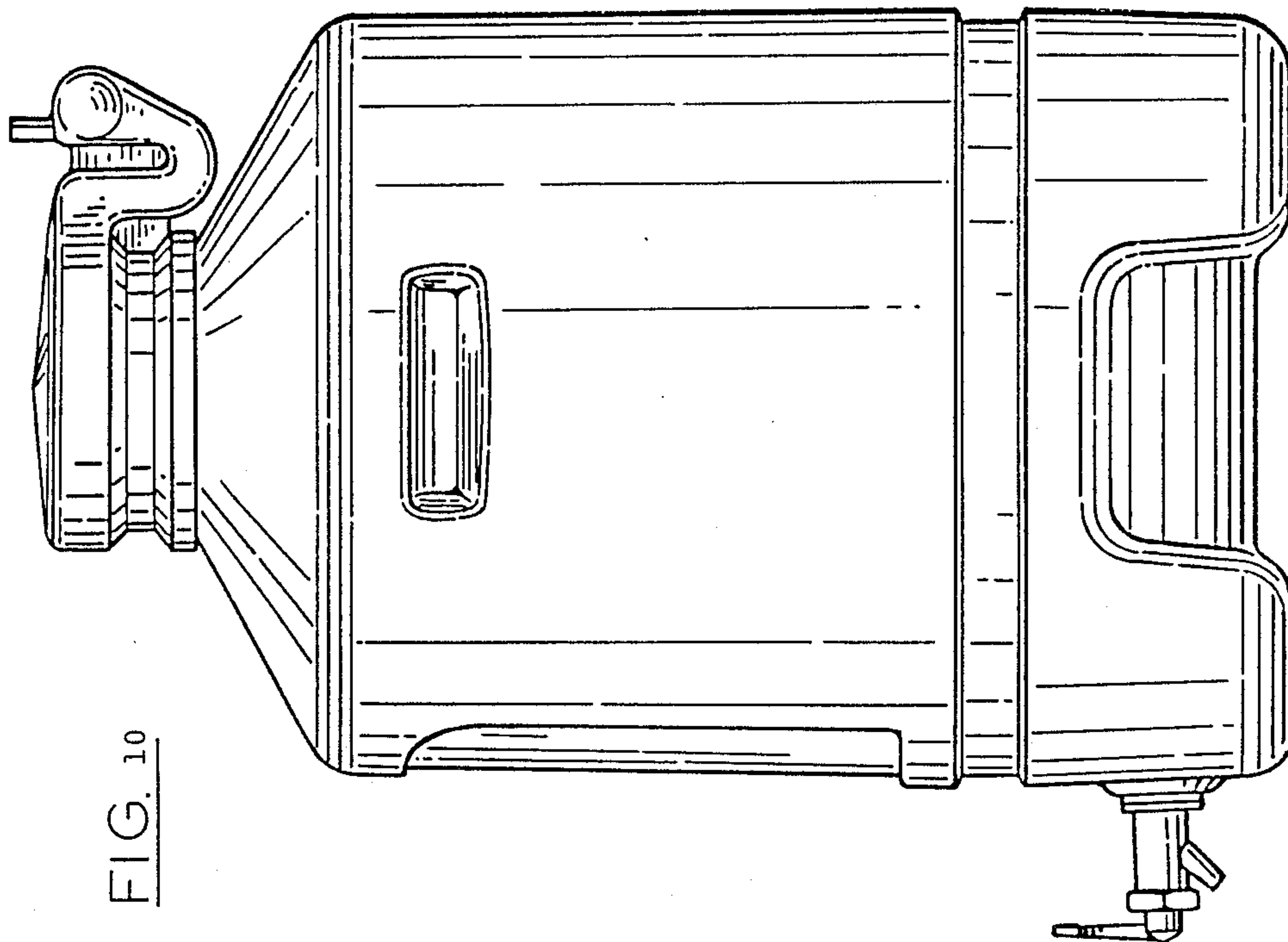


FIG. 10

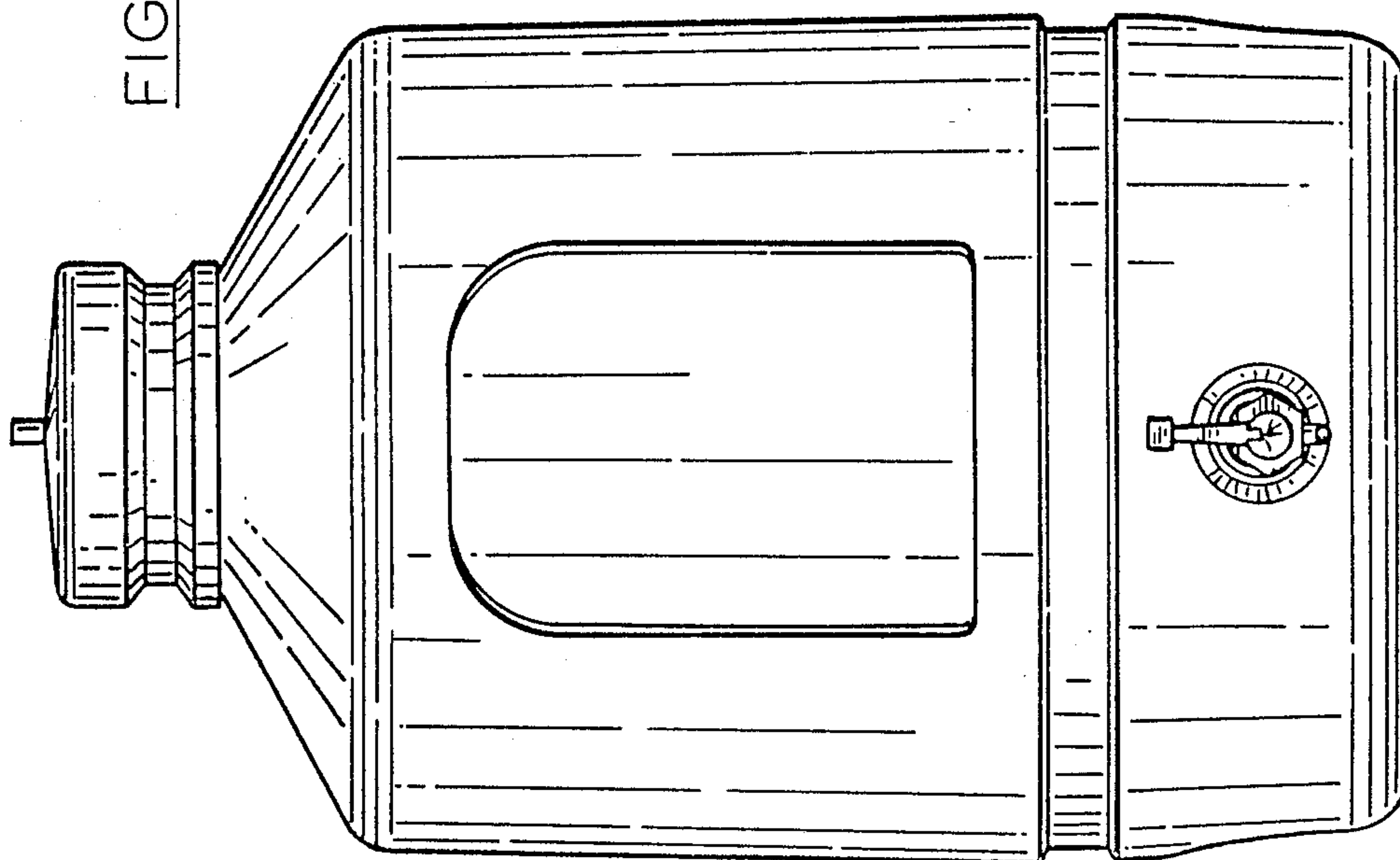
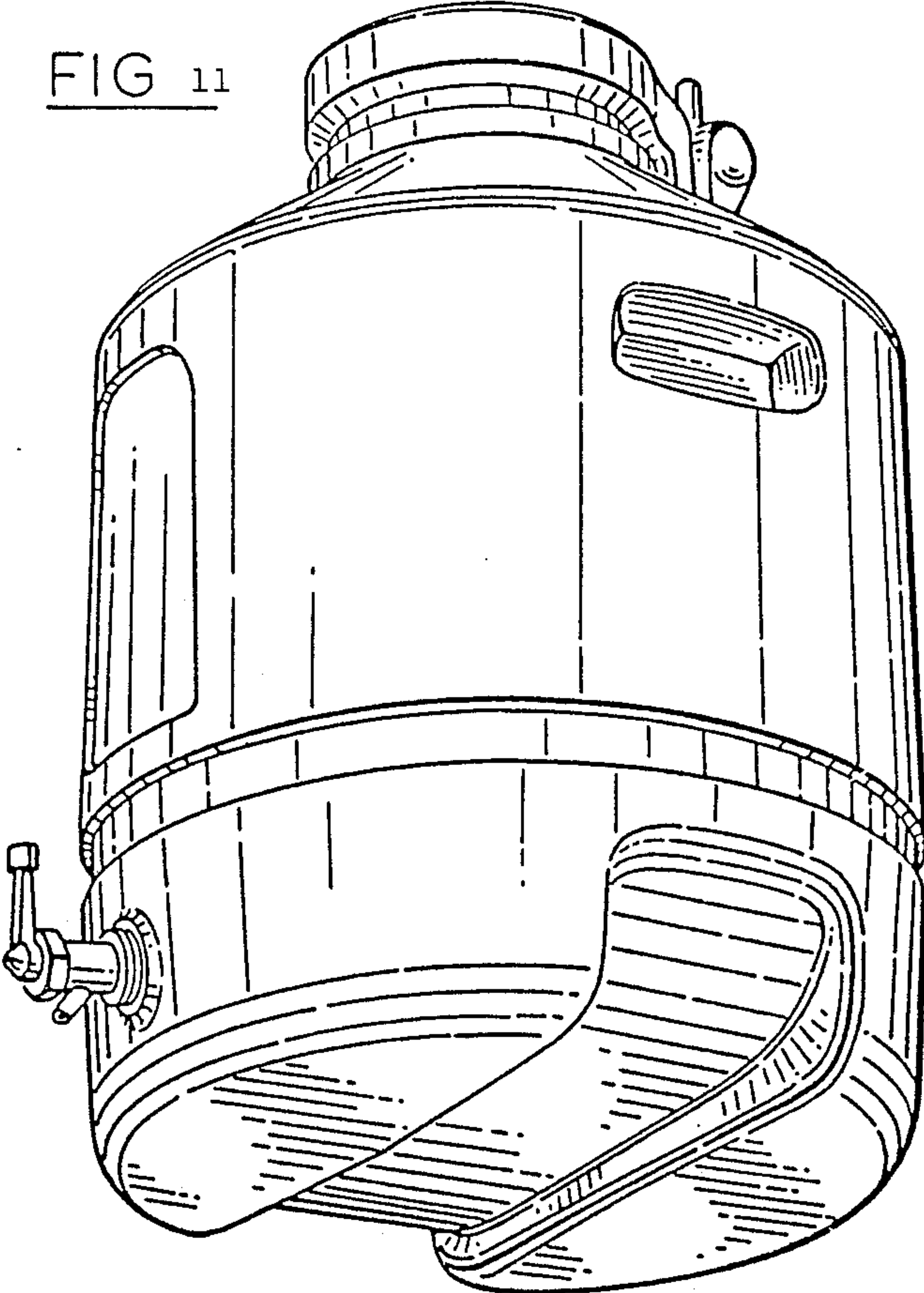


FIG. 9

FIG 11



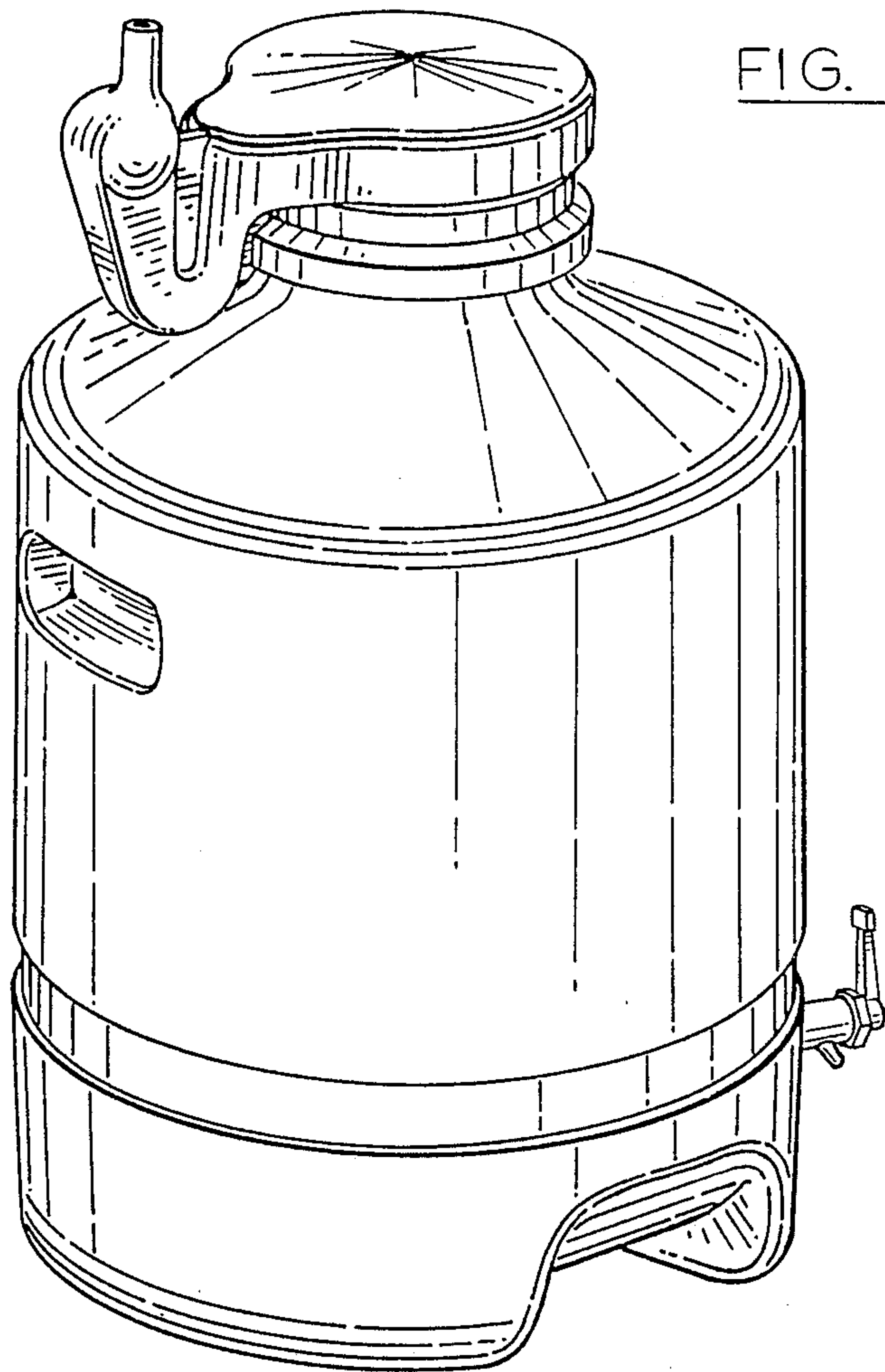


FIG. 12