

[54] **MICROWAVE OVEN**

[75] **Inventor: Seung H. Yoo, Buchon, Rep. of Korea**

[73] **Assignee: Gold Star Co., Ltd., Seoul, Rep. of Korea**

[*] **Notice: The portion of the term of this patent subsequent to Jan. 23, 2004 has been disclaimed.**

[**] **Term: 14 Years**

[21] **Appl. No.: 16,176**

[22] **Filed: Feb. 18, 1987**

[30] **Foreign Application Priority Data**

Aug. 28, 1986 [KR] Rep. of Korea Des. 86-12273
[52] **U.S. Cl. D7/351**
[58] **Field of Search D7/350, 351; 219/10.55 R, 10.55 A-10.55 D, 10.55 F**

[56] **References Cited**

U.S. PATENT DOCUMENTS

D. 293,540	1/1988	Choi	D7/351
D. 294,216	2/1988	Choi	D7/351
D. 294,327	2/1988	Yoo	D7/351
D. 295,357	4/1988	Kubo et al.	D7/351
D. 295,822	5/1988	Kubo et al. .	

Primary Examiner—Bruce W. Dunkins
Assistant Examiner—Ruth Takemoto
Attorney, Agent, or Firm—Birch, Stewart, Kolasch & Birch

[57] **CLAIM**

The ornamental design for a microwave oven, as shown and described.

DESCRIPTION

FIG. 1 is an enlarged perspective view of a microwave oven showing my new design;
FIG. 2 is a top plan view thereof;
FIG. 3 is a front elevational view thereof;
FIG. 4 is a bottom plan view thereof;
FIG. 5 is a rear elevational view thereof;
FIG. 6 is a right side elevational view thereof; and
FIG. 7 is a left side elevational view thereof.

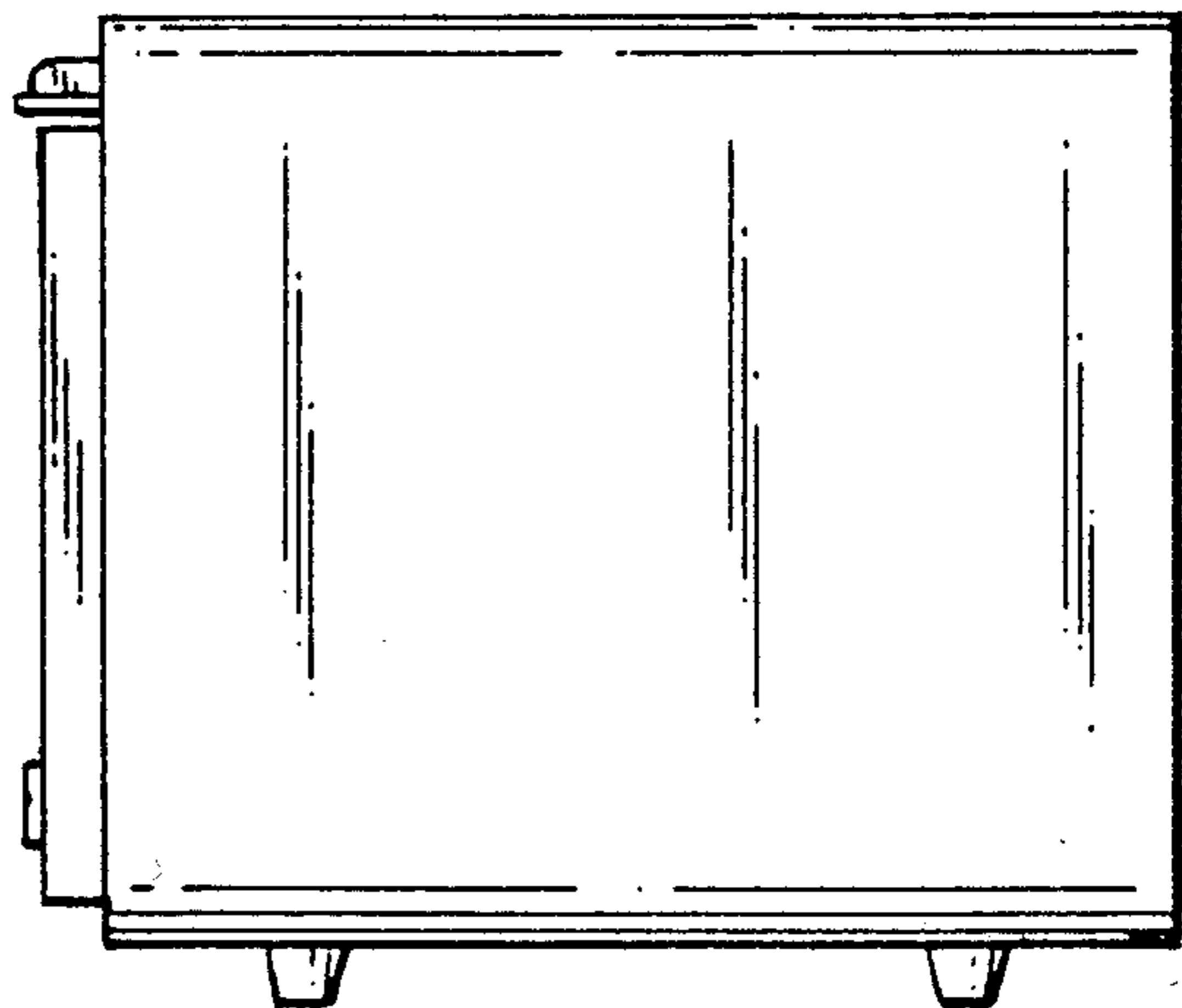
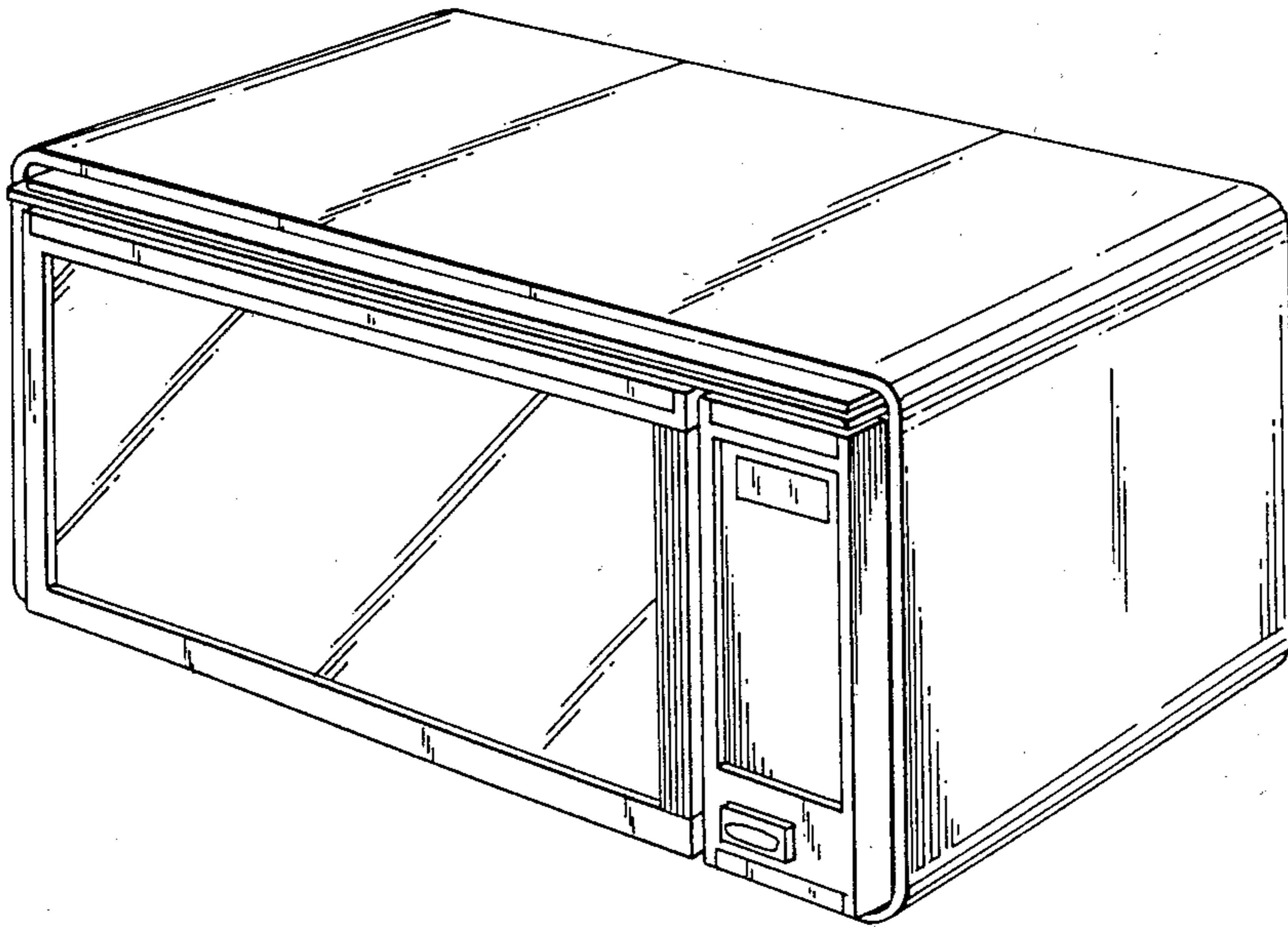


FIG. 1

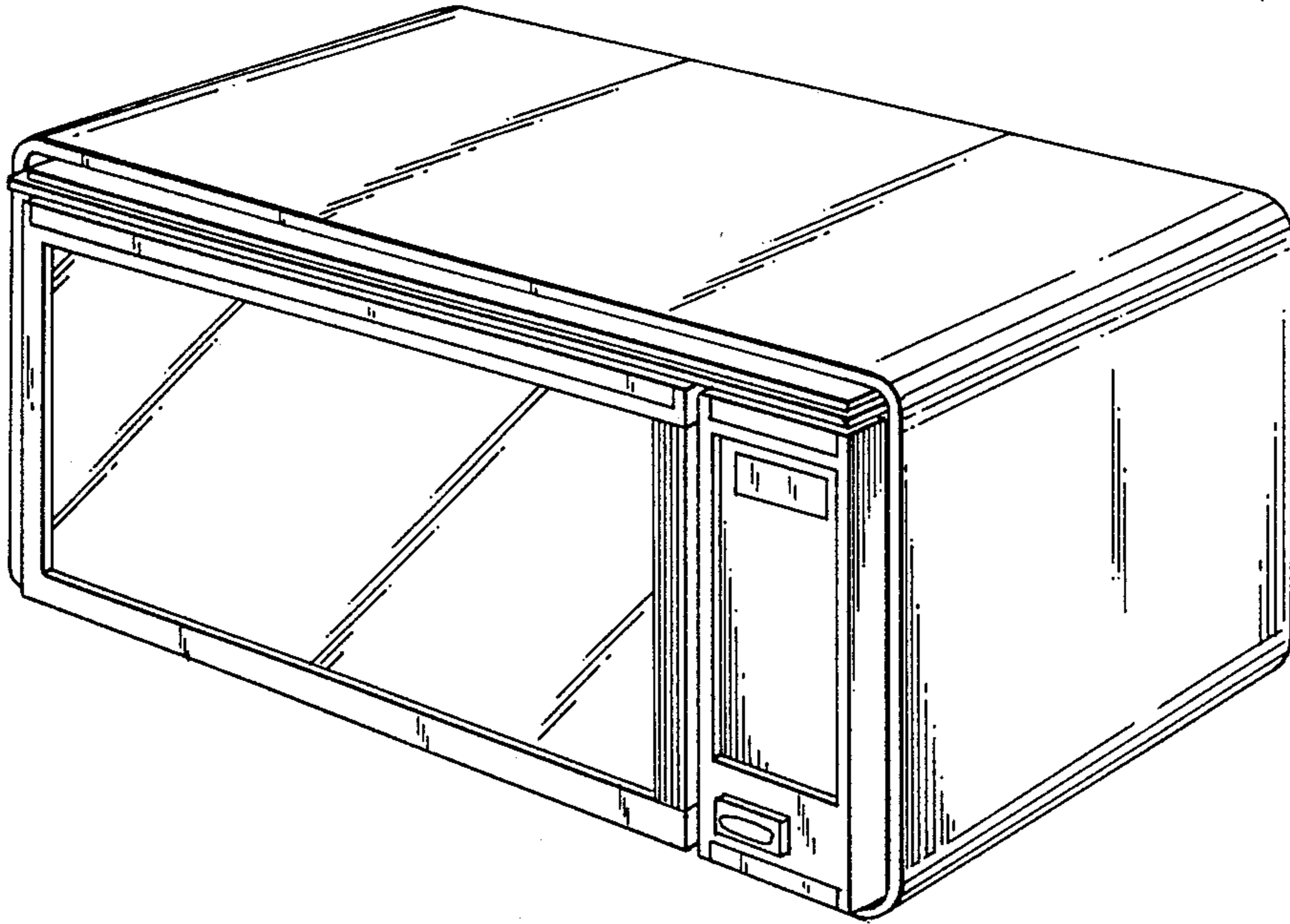


FIG. 2

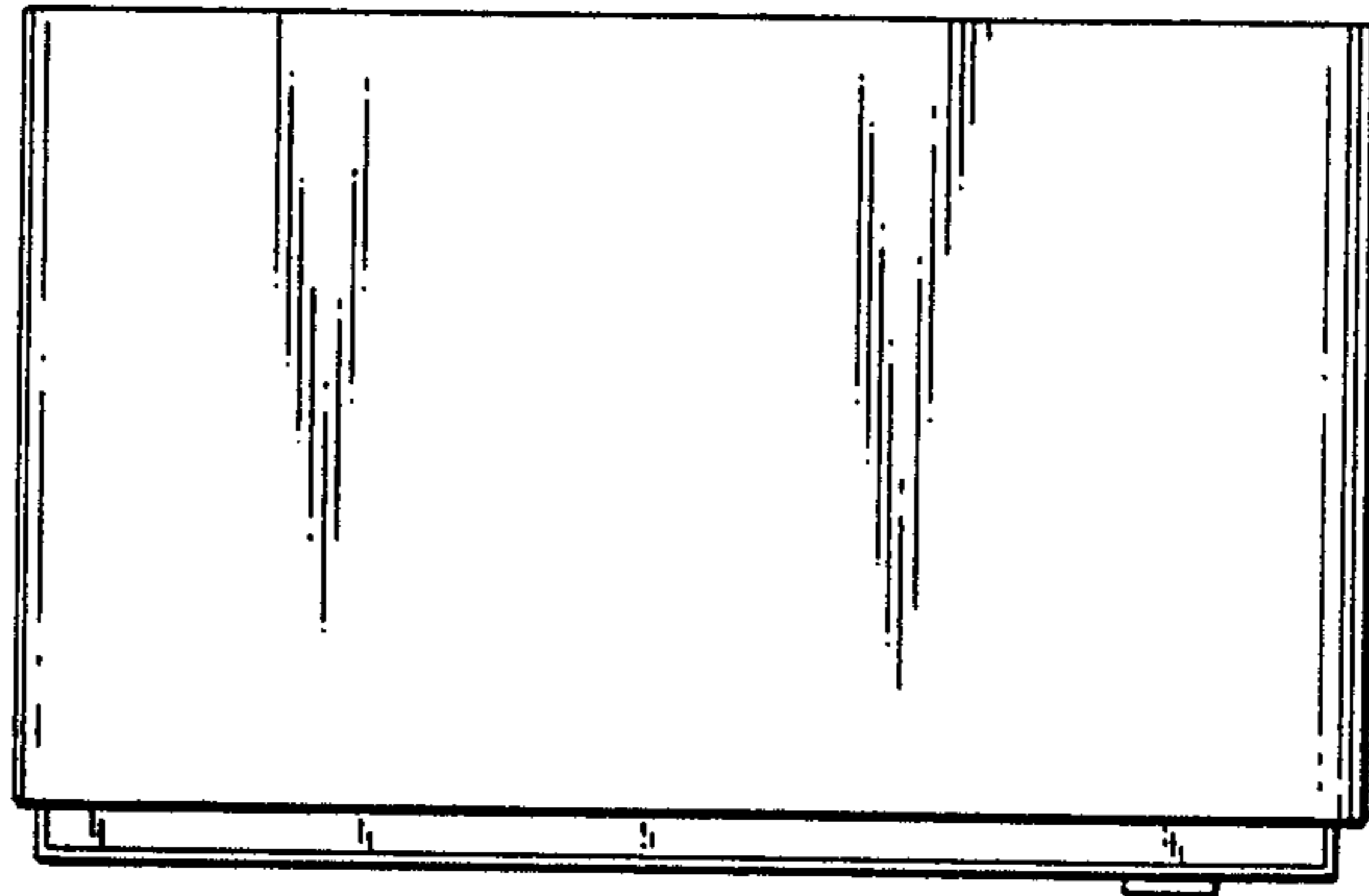


FIG. 3

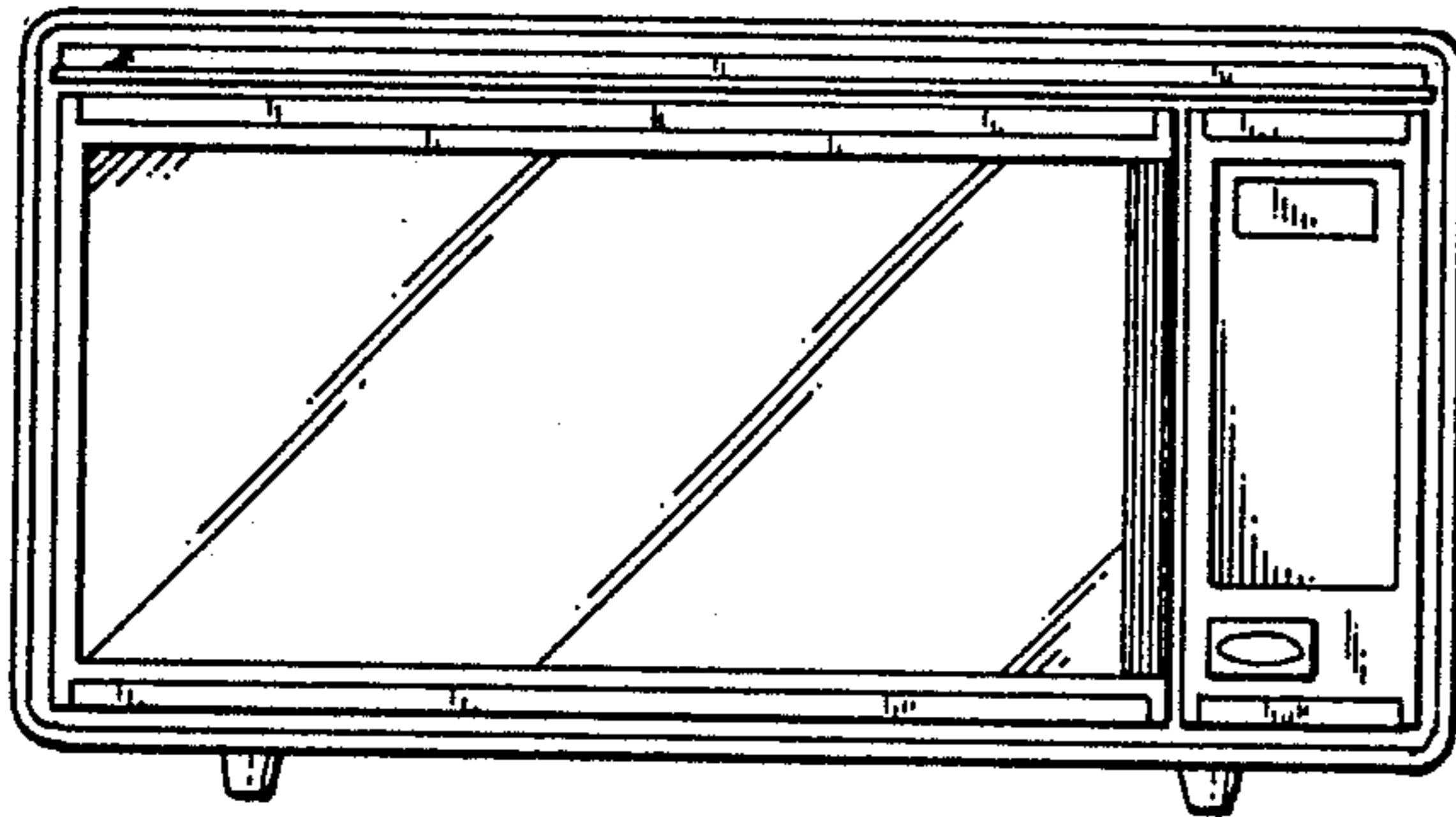


FIG. 4

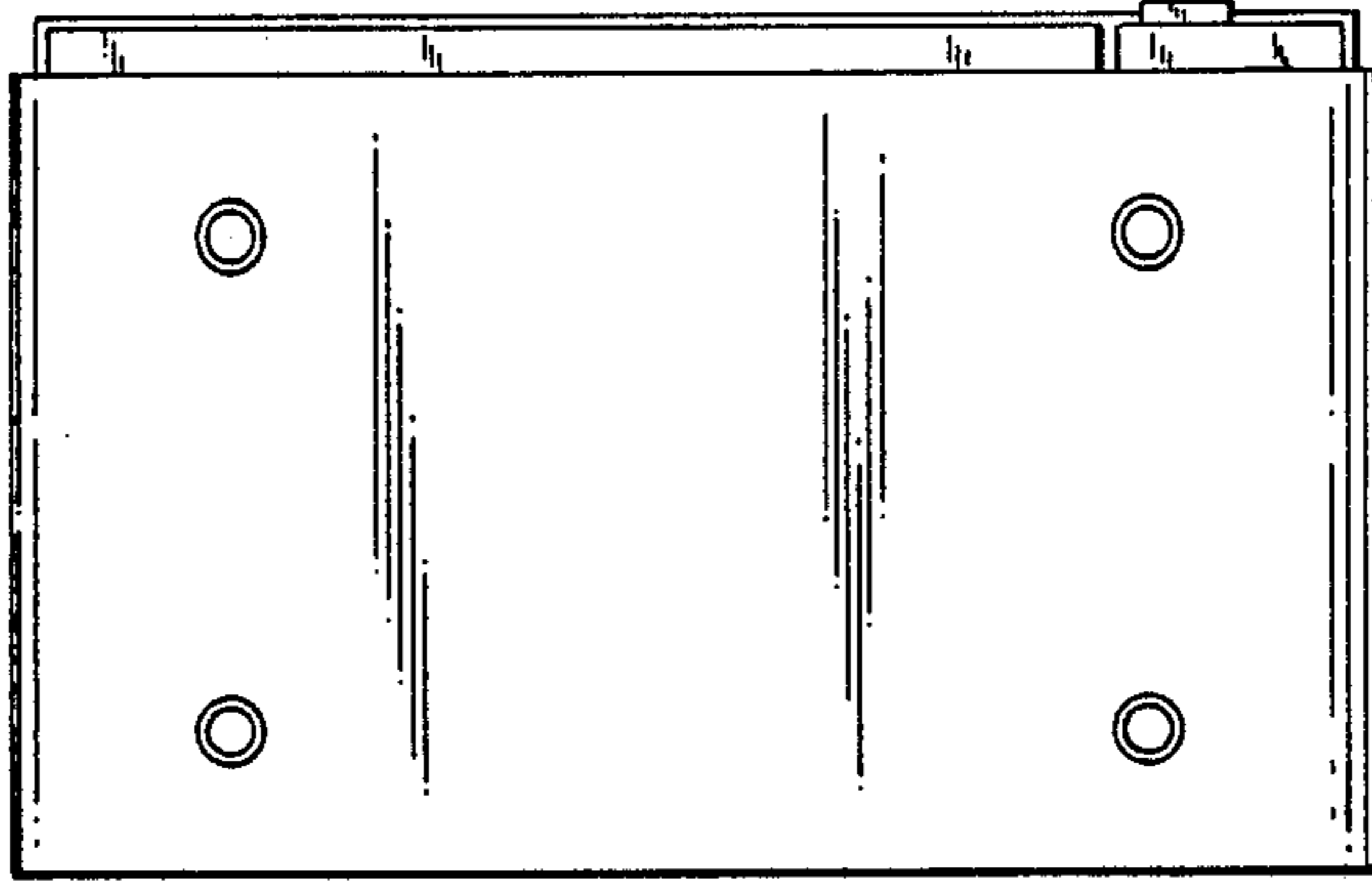


FIG. 5

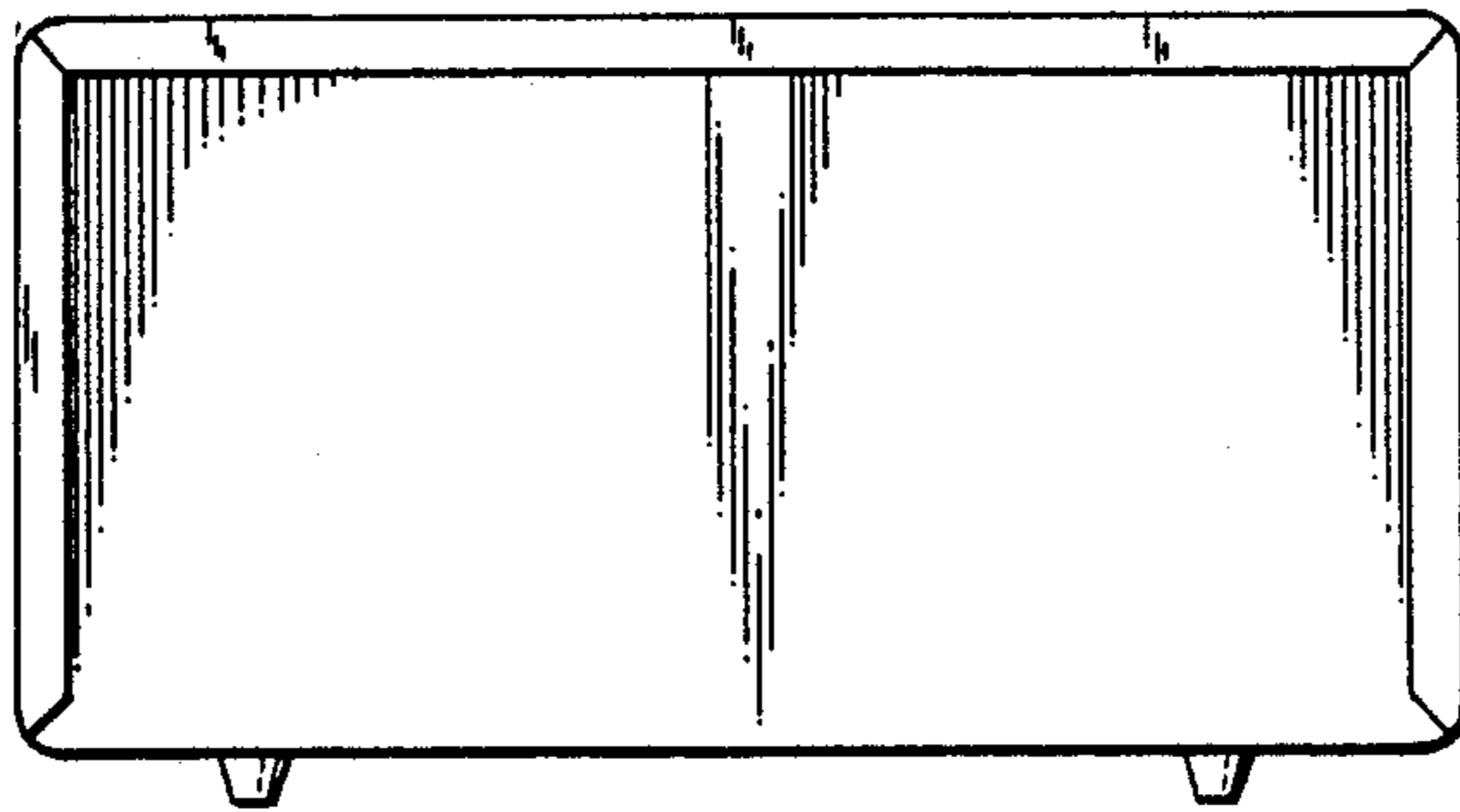


FIG. 6

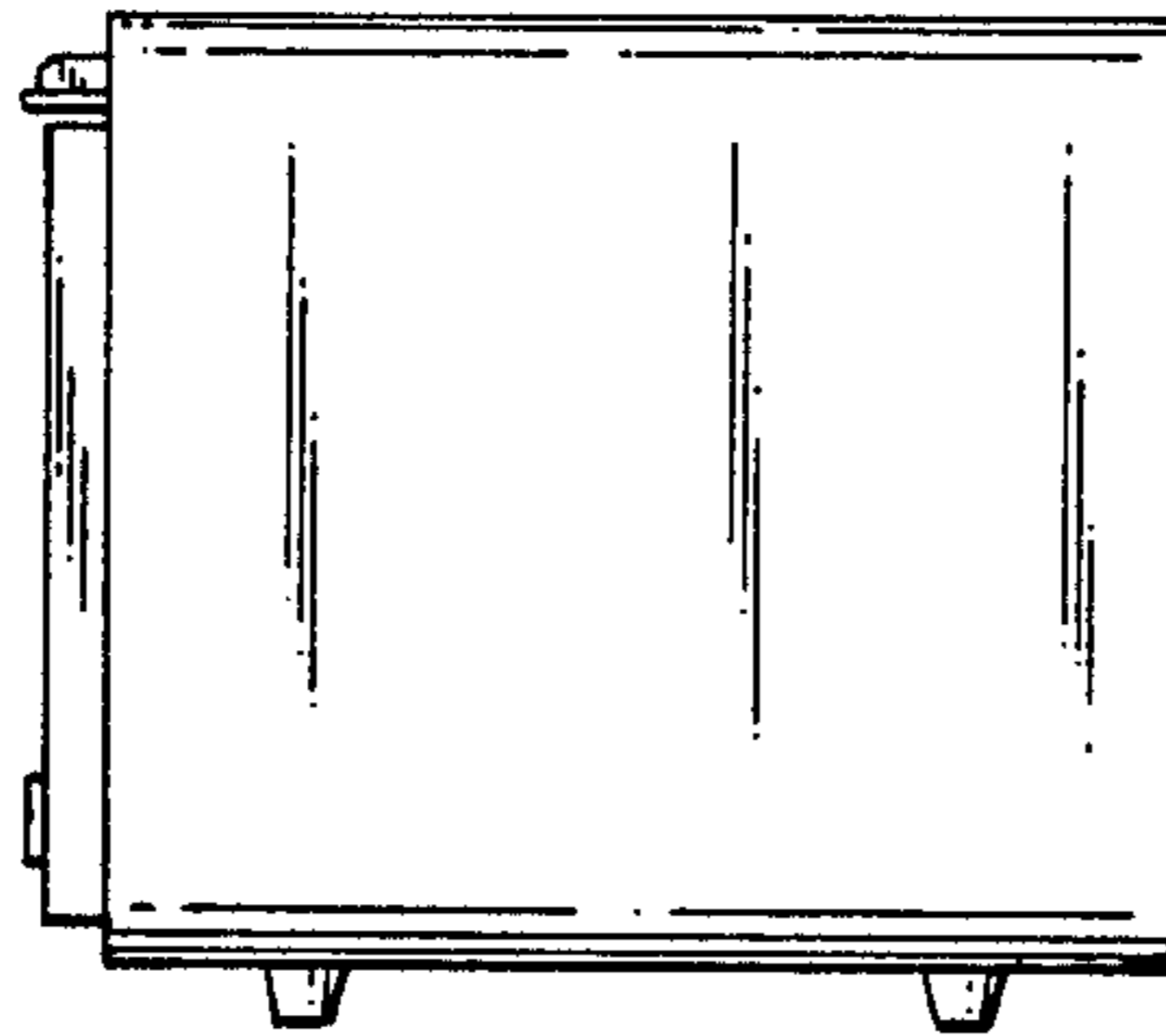


FIG. 7

