

[54] MICROWAVE OVEN

[75] Inventor: Seung H. Yoo, Buchon, Rep. of Korea

[73] Assignee: Gold Star Co., Ltd., Seoul, Rep. of Korea

[\*] Notice: The portion of the term of this patent subsequent to Jan. 23, 2004 has been disclaimed.

[\*\*] Term: 14 Years

[21] Appl. No.: 16,181

[22] Filed: Feb. 18, 1987

[30] Foreign Application Priority Data

Aug. 28, 1986 [KR] Rep. of Korea ..... Des. 86-12272  
[52] U.S. Cl. .... D7/351  
[58] Field of Search ..... D7/350, 351; 219/10.55 R, 10.55 A-10.55 D, 10.55 F

[56] References Cited

U.S. PATENT DOCUMENTS

D. 293,540	1/1988	Choi .....	D7/351
D. 294,216	2/1988	Choi .....	D7/351
D. 294,327	2/1988	Yoo .....	D7/351
D. 295,357	4/1988	Kubo et al. ....	D7/351
D. 295,822	5/1988	Kubo et al. .	

Primary Examiner—Bruce W. Dunkins  
Assistant Examiner—Ruth Takemoto  
Attorney, Agent, or Firm—Birch, Stewart, Kolasch & Birch

[57] CLAIM

The ornamental design for a microwave oven, as shown and described.

DESCRIPTION

FIG. 1 is an enlarged perspective view of a microwave oven showing my new design;  
FIG. 2 is a top plan view thereof;  
FIG. 3 is a front elevational view thereof;  
FIG. 4 is a bottom plan view thereof;  
FIG. 5 is a rear elevational view thereof;  
FIG. 6 is a right side elevational view thereof; and  
FIG. 7 is a left side elevational view thereof.

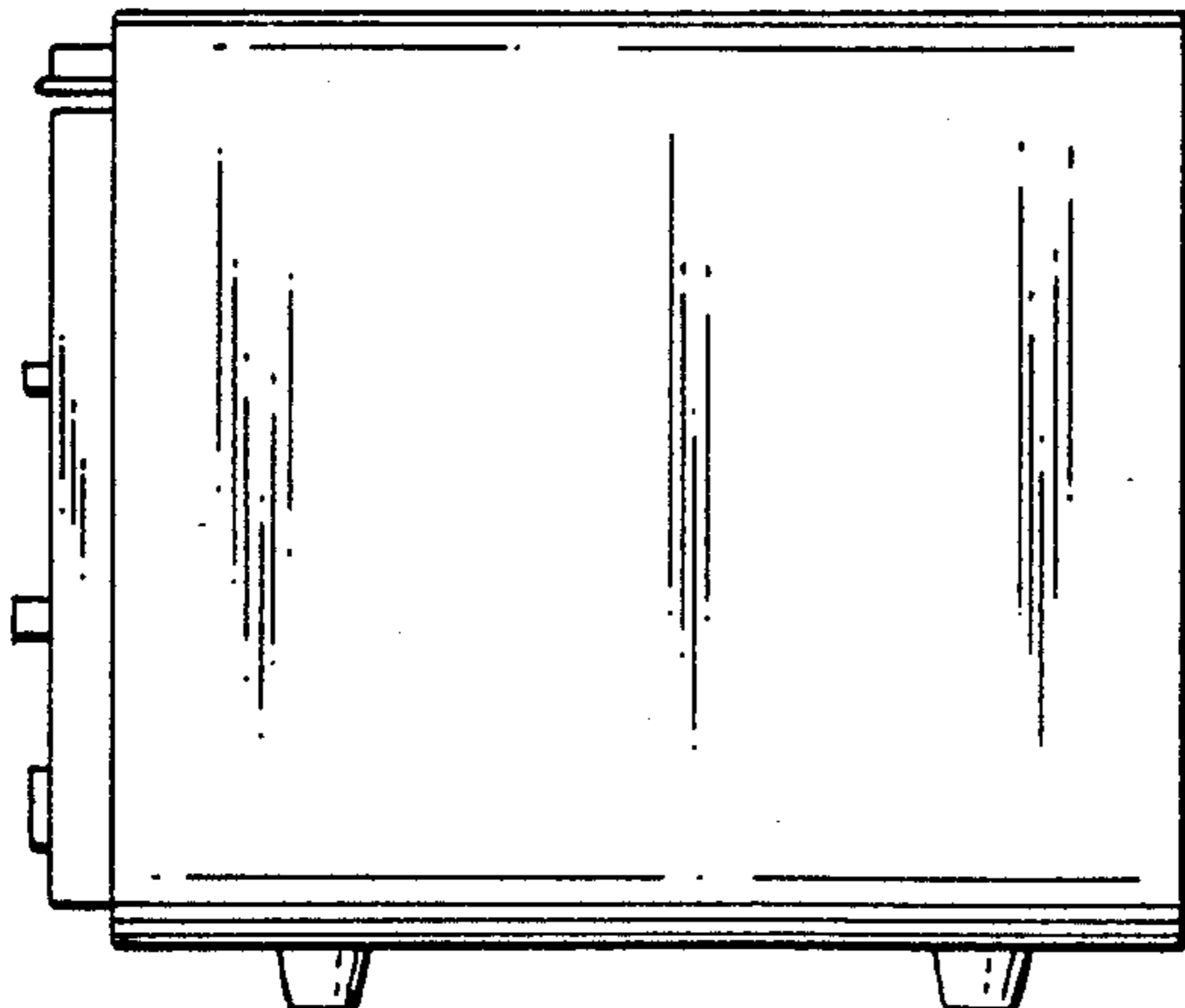
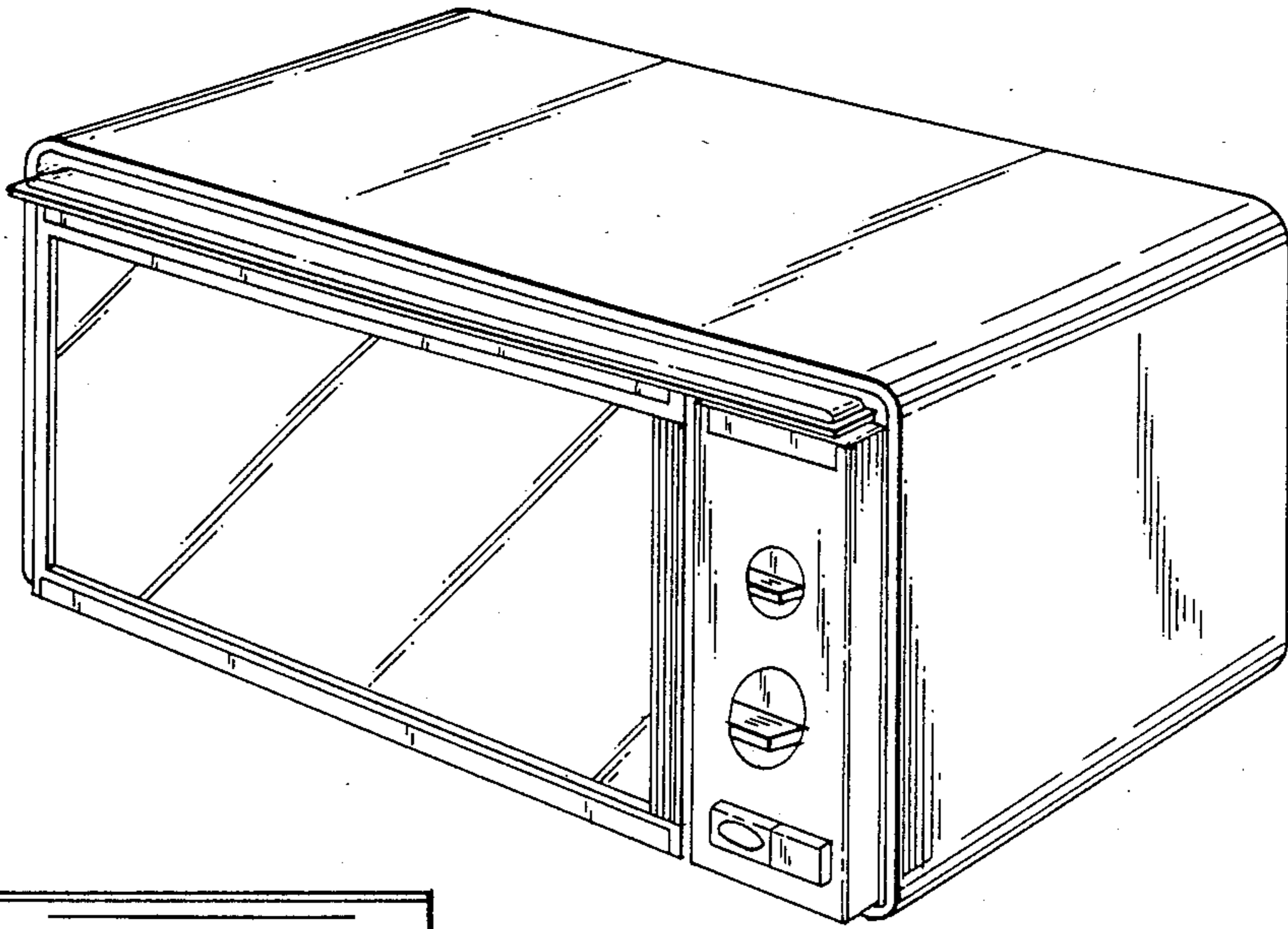


FIG. 1

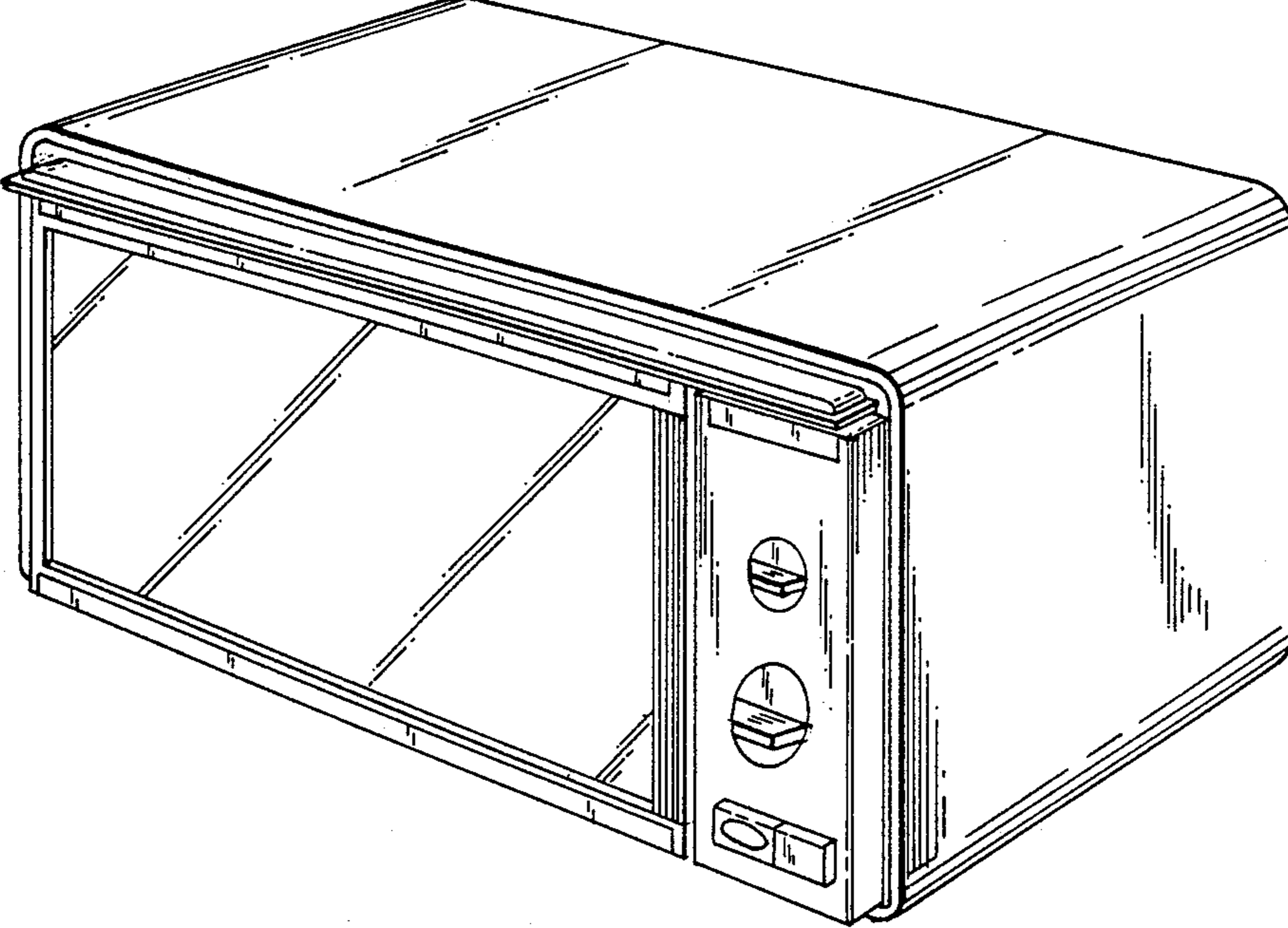


FIG. 2

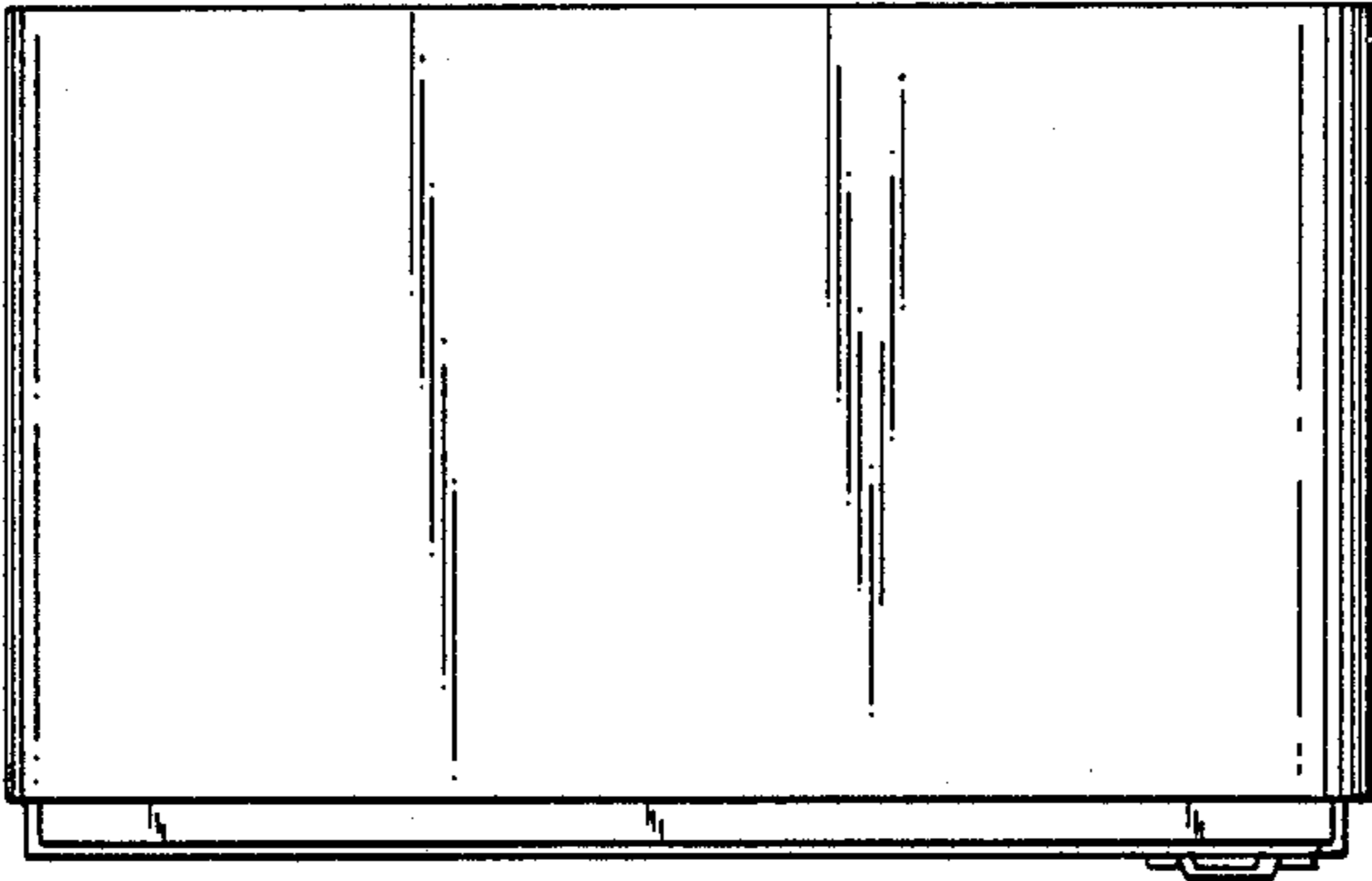


FIG. 3

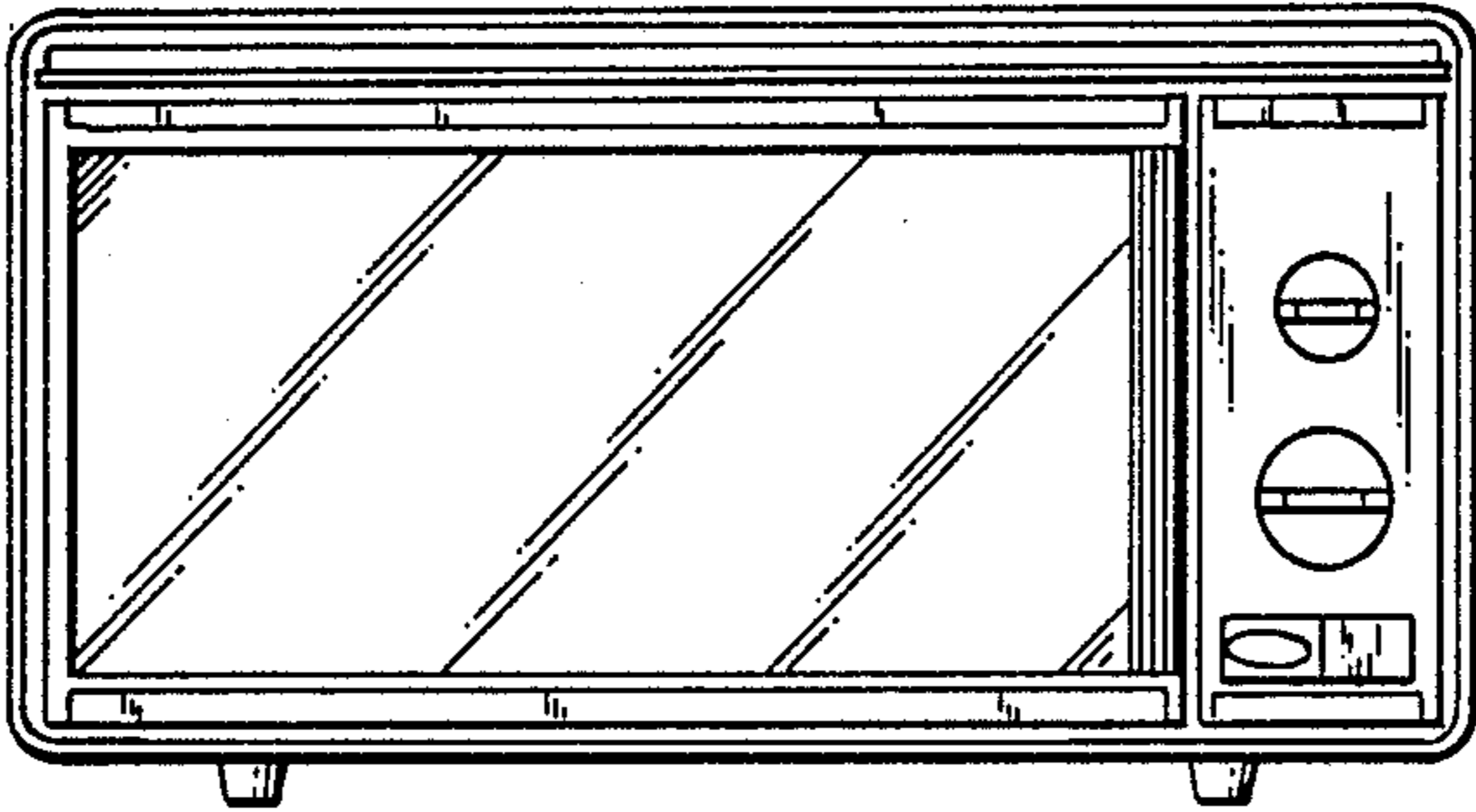


FIG.4

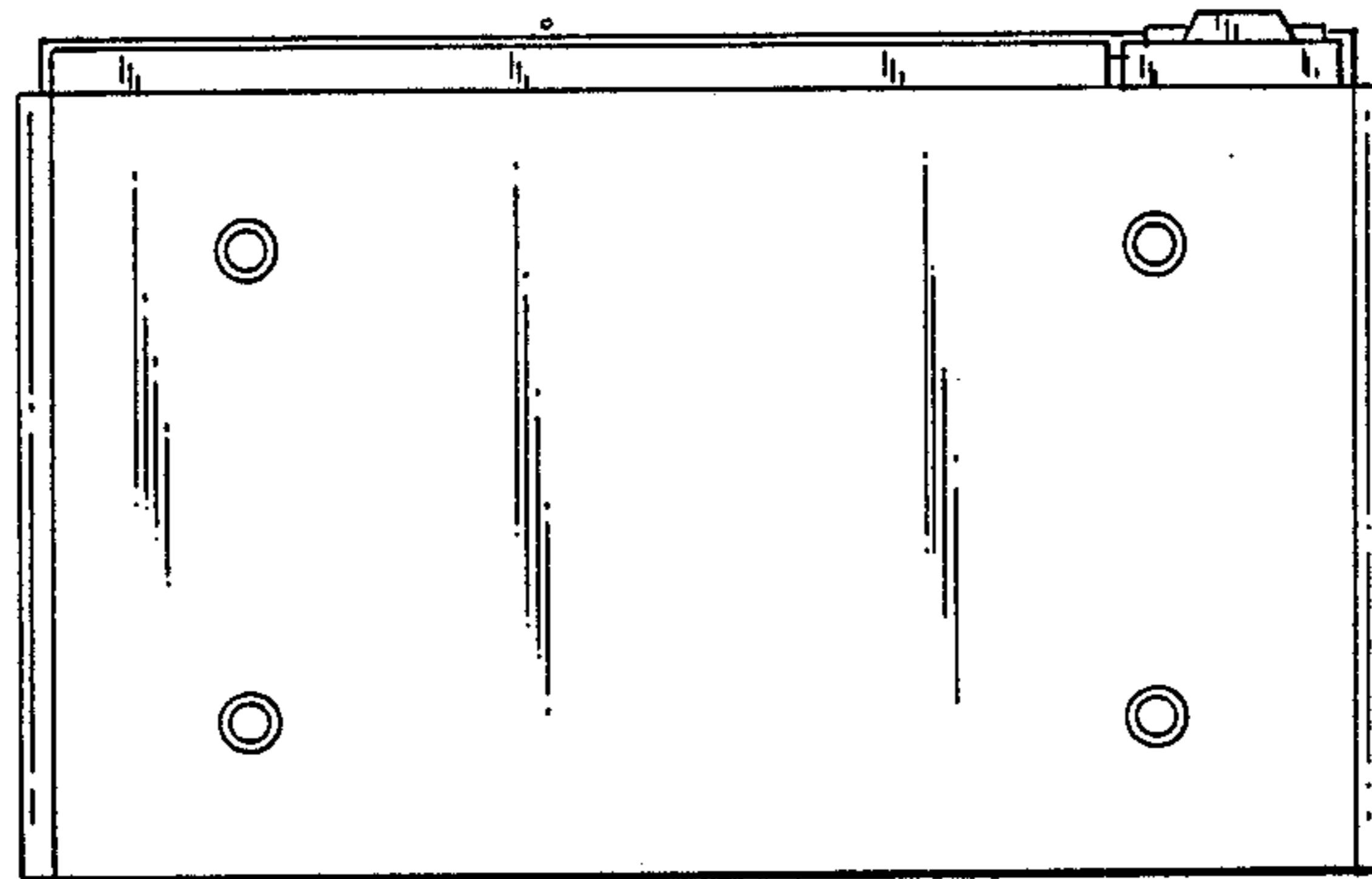


FIG.5

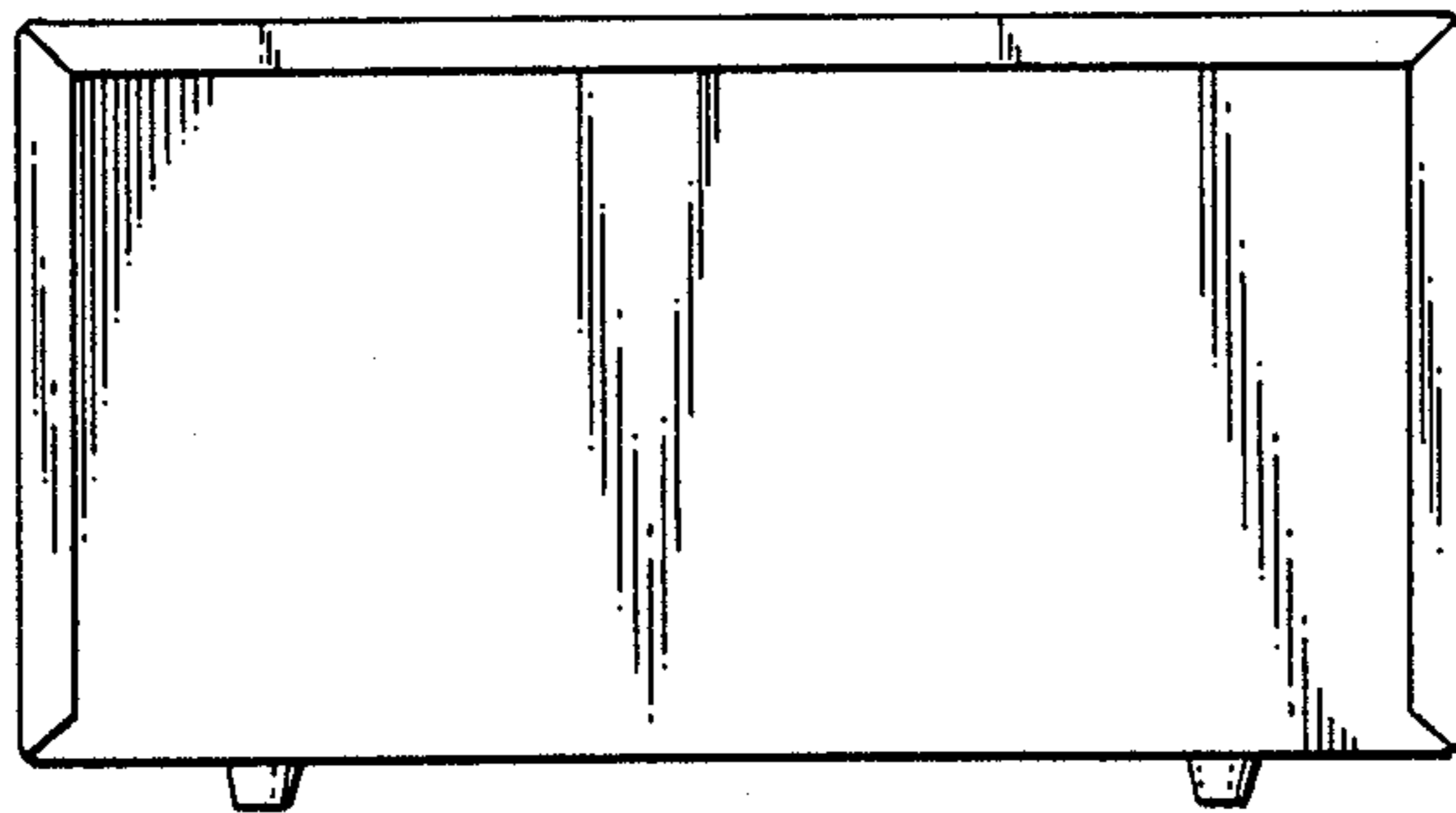


FIG. 6

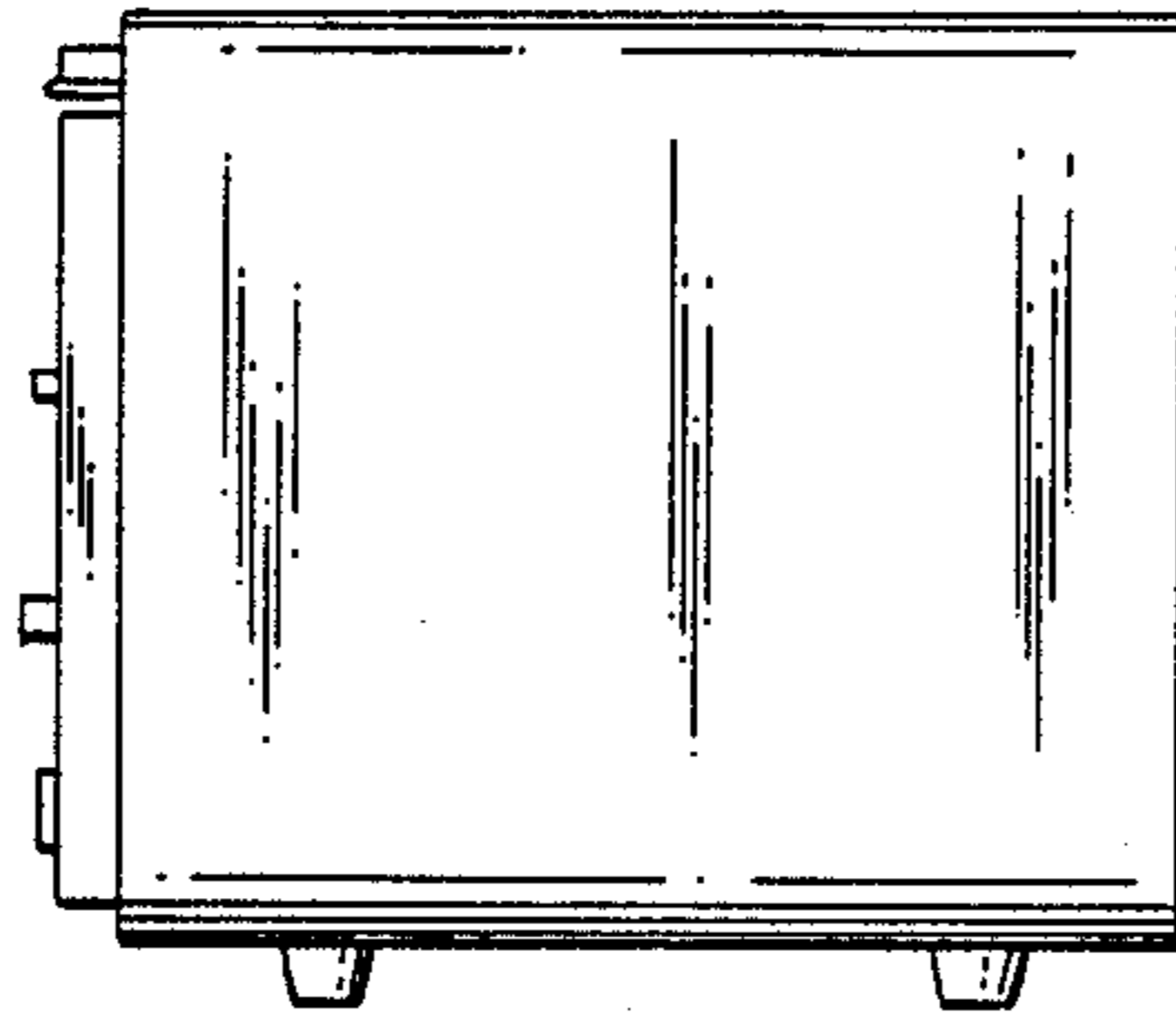


FIG. 7

